



2022 | 2023
SPECIFICATION GUIDE

PREMIER

With the highest quality materials and finest attention to detail, our Premier Series offers distinctive touches and superb craftsmanship. Features include full overlay doors, plywood boxes, a solid wood dovetail drawer box, as well as a 5 piece drawer head and soft close doors and drawers.

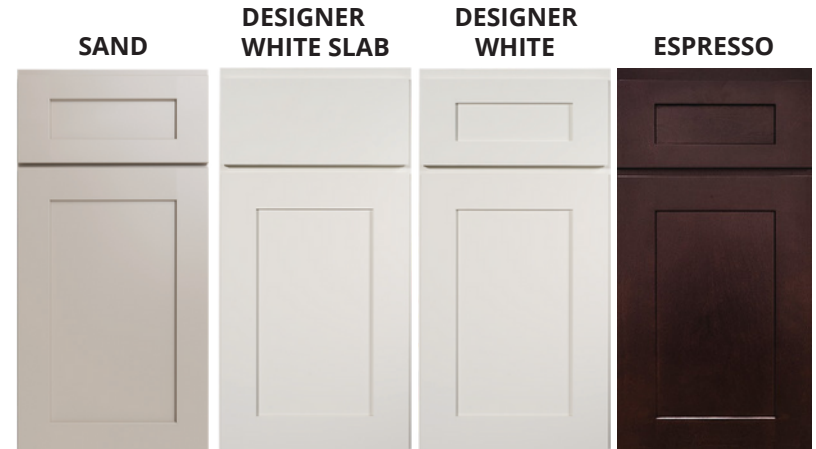
Modern and versatile, the design of these cabinets will add polish and sophistication to any space.



BROOKLYN

Detailed and elegant with timeless charm ensures you will love these cabinets for a lifetime.

SHAKER



Designed with industrial and vintage charm, these cabinets will complement your home for years.

LENOX



PREMIER

With the highest quality materials and finest attention to detail, our Premier Series offers distinctive touches and superb craftsmanship. Features include full overlay doors, plywood boxes, a solid wood dovetail drawer box, as well as a 5 piece drawer head and soft close doors and drawers.

An adaptable option that adds dimension and softness to any style.

NAPA

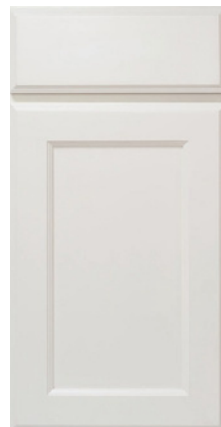
WHITE



Classic cabinets for any decor offering functionality and style at a budget-friendly price. Our Value Series includes full overlay doors, soft close hinges and a hybrid box constructed from plywood and particleboard.

VALUE

WHITE



TAYLOR

Style at a budget-friendly price.

Product Comparison

	Shaker Sand	Shaker Espresso	Shaker Designer White	Brooklyn Modern Gray	Brooklyn Bright White	Brooklyn Slate	Brooklyn Midnight	Lenox Country Linen	Lenox Canvas
Cabinet Box	1/2", 7 Ply, Plywood	1/2", 7 Ply, Plywood	1/2", 7 Ply, Plywood	1/2", 7 Ply, Plywood	1/2", 7 Ply, Plywood	1/2", 7 Ply, Plywood	1/2", 7 Ply, Plywood	1/2", 7 Ply, Plywood	1/2", 7 Ply, Plywood
Drawer Box	5/8" Solid Wood, Dovetailed	5/8" Solid Wood, Dovetailed	5/8" Solid Wood, Dovetailed	5/8" Solid Wood, Dovetailed	5/8" Solid Wood, Dovetailed	5/8" Solid Wood, Dovetailed	5/8" Solid Wood, Dovetailed	5/8" Solid Wood, Dovetailed	5/8" Solid Wood, Dovetailed
Drawer Slides	Under Mount, Full Extension, Metal, Soft Close w/ Ball Bearings	Under Mount, Full Extension, Metal, Soft Close w/ Ball Bearings	Under Mount, Full Extension, Metal, Soft Close w/ Ball Bearings	Under Mount, Full Extension, Metal, Soft Close w/ Ball Bearings	Under Mount, Full Extension, Metal, Soft Close w/ Ball Bearings	Under Mount, Full Extension, Metal, Soft Close w/ Ball Bearings	Under Mount, Full Extension, Metal, Soft Close w/ Ball Bearings	Under Mount, Full Extension, Metal, Soft Close w/ Ball Bearings	Under Mount, Full Extension, Metal, Soft Close w/ Ball Bearings
Wood Species	Birch	Birch	Birch	Birch	Birch	Birch	Birch	Birch	Birch
Door Hinge	DTC 6 Way Adjustable, Soft Close	DTC 6 Way Adjustable, Soft Close	DTC 6 Way Adjustable, Soft Close	DTC 6 Way Adjustable, Soft Close	DTC 6 Way Adjustable, Soft Close	DTC 6 Way Adjustable, Soft Close	DTC 6 Way Adjustable, Soft Close	DTC 6 Way Adjustable, Soft Close	DTC 6 Way Adjustable, Soft Close
Shelves	Adjustable, 3/4" Plywood	Adjustable, 3/4" Plywood	Adjustable, 3/4" Plywood	Adjustable, 3/4" Plywood	Adjustable, 3/4" Plywood	Adjustable, 3/4" Plywood	Adjustable, 3/4" Plywood	Adjustable, 3/4" Plywood	Adjustable, 3/4" Plywood
Finish Color	Sand	Espresso Stain	Designer White	Modern Gray	Bright White	Slate Stain	Midnight	Country Linen	Canvas
Exterior Finish	Sand to Match Doors	Espresso to Match Doors	Designer White to Match Doors	Modern Gray to Match Doors	Bright White to Match Doors	Slate to Match Doors	Midnight to Match Doors	Country Linen to Match Doors	Canvas to Match Doors
Interior Finish	Natural	Natural	Natural	Natural	Natural	Natural	Natural	Natural	Natural
Glazing	No	No	No	No	No	No	No	Yes, Brown Lines	No
Base Reinforcement	3" Plywood Stretchers	3" Plywood Stretchers	3" Plywood Stretchers	3" Plywood Stretchers	3" Plywood Stretchers	3" Plywood Stretchers	3" Plywood Stretchers	3" Plywood Stretchers	3" Plywood Stretchers
Face Frame	1 1/2" Rails and Stiles, Solid Wood	1 1/2" Rails and Stiles, Solid Wood	1 1/2" Rails and Stiles, Solid Wood	1 1/2" Rails and Stiles, Solid Wood	1 1/2" Rails and Stiles, Solid Wood	1 1/2" Rails and Stiles, Solid Wood	1 1/2" Rails and Stiles, Solid Wood	1 1/2" Rails and Stiles, Solid Wood	1 1/2" Rails and Stiles, Solid Wood
Full Overlay Door	5-Piece with Solid Center Panel; 3 1/2" Stiles and Rails	5-Piece with Solid Center Panel; 3 1/2" Stiles and Rails	5-Piece with Solid Center Panel; 3 1/2" Stiles and Rails	5-Piece with Solid Center Panel; 3 1/2" Stiles and Rails	5-Piece with Solid Center Panel; 3 1/2" Stiles and Rails	5-Piece with Solid Center Panel; 3 1/2" Stiles and Rails	5-Piece with Solid Center Panel; 3 1/2" Stiles and Rails	9-Piece Raised Panel with Applied Molding	9-Piece Raised Panel with Applied Molding
Drawer Head	5 Piece with Solid Center Panel; 2 3/4" Stiles and 2 3/4" Rails	5 Piece with Solid Center Panel; 2 3/4" Stiles and 2 3/4" Rails	5 Piece with Solid Center Panel; 2 3/4" Stiles and 2 3/4" Rails Also available in slab	5 Piece with Solid Center Panel; 2 3/4" Stiles and 2 3/4" Rails	5 Piece with Solid Center Panel; 2 3/4" Stiles and 2 3/4" Rails	5 Piece with Solid Center Panel; 2 3/4" Stiles and 2 3/4" Rails	5 Piece with Solid Center Panel; 2 3/4" Stiles and 2 3/4" Rails	9-Piece Raised Panel with Applied Molding	9-Piece Raised Panel with Applied Molding
Design & Structure	Meets Leading Industry Standards	Meets Leading Industry Standards	Meets Leading Industry Standards	Meets Leading Industry Standards	Meets Leading Industry Standards	Meets Leading Industry Standards	Meets Leading Industry Standards	Meets Leading Industry Standards	Meets Leading Industry Standards
Assembly	Glue and Staples, No Cams or Brackets	Glue and Staples, No Cams or Brackets	Glue and Staples, No Cams or Brackets	Glue and Staples, No Cams or Brackets	Glue and Staples, No Cams or Brackets	Glue and Staples, No Cams or Brackets	Glue and Staples, No Cams or Brackets	Glue and Staples, No Cams or Brackets	Glue and Staples, No Cams or Brackets
Toe Kick Depth w/ TK Skin	3.75"	3.75"	3.75"	3.75"	3.75"	3.75"	3.75"	3.75"	3.75"
Certifications	TSCA VI, CARB, KCMA	TSCA VI, CARB, KCMA	TSCA VI, CARB, KCMA	TSCA VI, CARB, KCMA	TSCA VI, CARB, KCMA	TSCA VI, CARB, KCMA	TSCA VI, CARB, KCMA	TSCA VI, CARB, KCMA	TSCA VI, CARB, KCMA

	Napa White	Taylor White
Cabinet Box	1/2", 7 Ply, Plywood	1/2" Particle Board w/ Plywood Back
Drawer Box	5/8" Solid Wood, Dovetailed	1/2" Plywood, Straight
Drawer Slides	Under Mount, Full Extension, Metal, Soft Close w/ Ball Bearings	Side Mount, 3/4 Extension, Epoxy/Vinyl Slides w/ Nylon Rollers*
Wood Species	Birch	Birch
Door Hinge	DTC 6 Way Adjustable, Soft Close	DTC 6 Way Adjustable, Soft Close
Shelves	Adjustable, 3/4" Plywood	Adjustable, 5/8" Plywood
Finish Color	Bright White	White
Exterior Finish	Bright White to Match Doors	White to Match Doors
Interior Finish	Natural	White
Glazing	No	No
Base Reinforcement	3" Plywood Stretchers	3/4" Plastic Corner Braces w/ Tabs
Face Frame	1 1/2" Rails and Stiles, Solid Wood	1 1/2" Rails and Stiles, Solid Wood
Full Overlay Door	5-Piece with Solid Center Panel; 3 1/2" Stiles and Rails	5-Piece Recessed Panel
Drawer Head	5 Piece with Solid Center Panel; 2 3/4" Stiles and 2 3/4" Rails	Slab
Design & Structure	Meets Leading Industry Standards	Meets Leading Industry Standards
Assembly	Glue and Staples, No Cams or Brackets	Glue and Staples, No Cams or Brackets
Toe Kick Depth w/ TK Skin	3.75"	3.75"
Certifications	TSCA VI, CARB, KCMA	TSCA VI, CARB, KCMA

**All Value Series drawers can be upgraded. Upgrade includes: Drawer Box (5/8" Dovetailed Solid Wood) Drawer Slides: Undermount, Full Extension, Metal, Soft Close with Ball Bearings.*

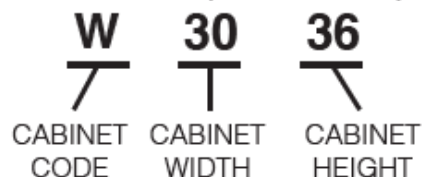
All drawer upgrade SKUs are notated with 'DU' on the order form.

Product Specs

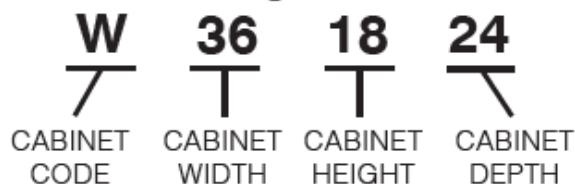
Wall Cabinets

Wall Cabinet Coding

Standard (12" Deep)



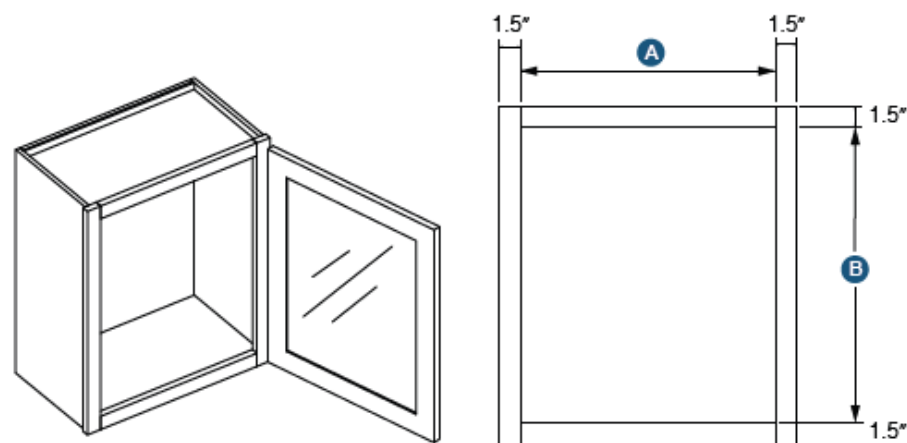
Refrigerator



Notes:

- Standard wall cabinets are 12" deep. Refrigerator cabinets are 24" deep.
- Add door thickness for total cabinet depth.
- Please refer to the Products by Cabinet Line chart to determine which products are carried for each cabinet line.

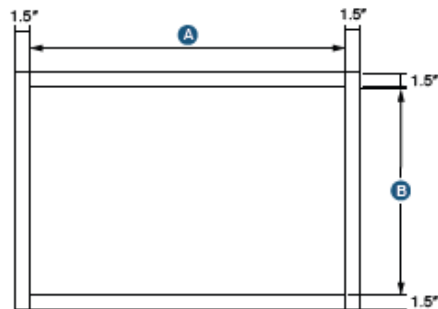
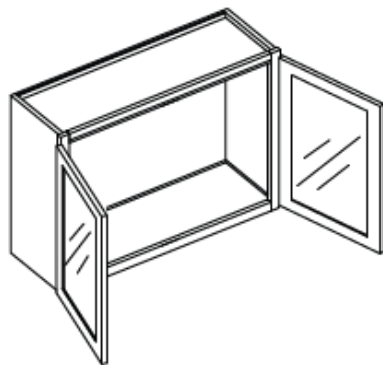
15" Wall Stacking Cabinets with Glass



Item Code	Outer Dimensions			Opening Size		Door Size	
	W	H	D	A	B	W	H
WS1215	12"	15"	12"	9"	12"	11.5"	13.75"
WS1515	15"	15"	12"	12	12"	14.5"	13.75"
WS1815	18"	15"	12"	15	12"	17.5"	13.75"
WS2115	21"	15"	12"	18	12"	20.5"	13.75"

**Door comes pre-routed with glass insert and finished interior*

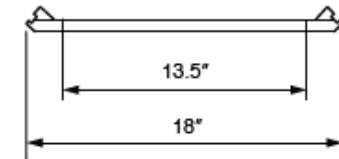
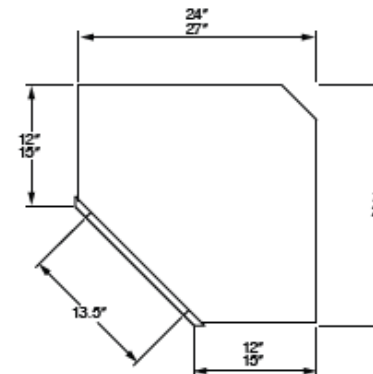
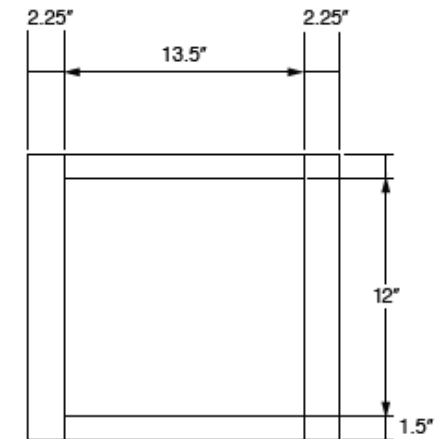
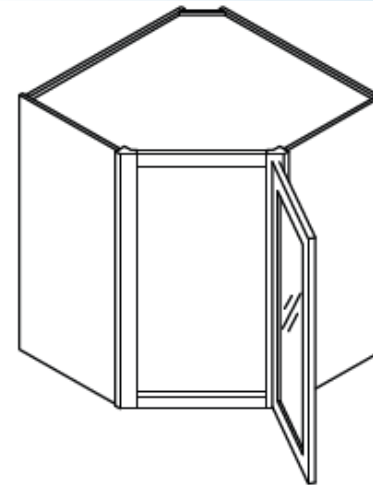
15" Wall Stacking Cabinets with Glass



Item Code	Outer Dimensions			Opening Size		Door Size (x2)	
	W	H	D	A	B	W	H
WS2415-2	24"	15"	12"	21"	12"	11.6875"	13.75"
WS2715-2	27"	15"	12"	24"	12"	13.1875"	13.75"
WS3015-2	30"	15"	12"	27"	12"	14.6875"	13.75"
WS3315-2	33"	15"	12"	30"	12"	16.1875"	13.75"
WS3615-2	36"	15"	12"	33"	12"	17.6875"	13.75"

*Door comes pre-routed with glass insert and finished interior

15" Corner Wall Stacking Cabinet with Glass



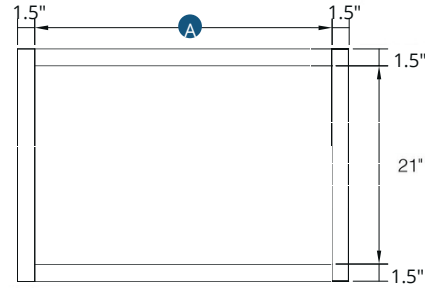
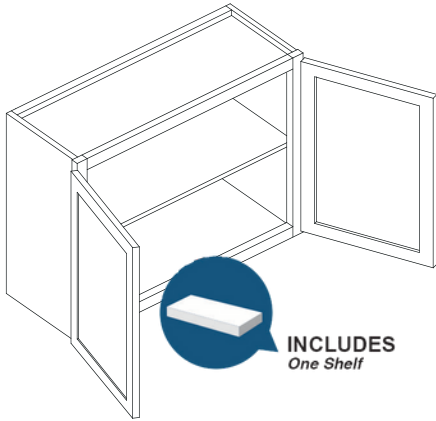
Item Code	Outer Dimensions			Opening Size		Door Size	
	W	H	D	W	H	W	H
CWS2415	24"	15"	12"	13.5"	12"	14.5"	13.75"
CWS2715	27"	15"	12"	13.5"	12"	14.5"	13.75"

*Door comes pre-routed with glass insert and finished interior

Product Specs

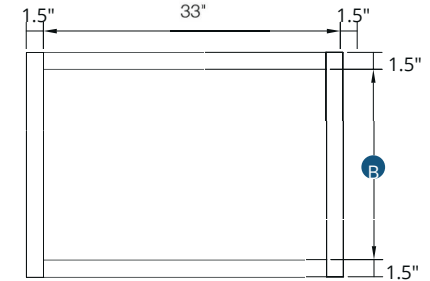
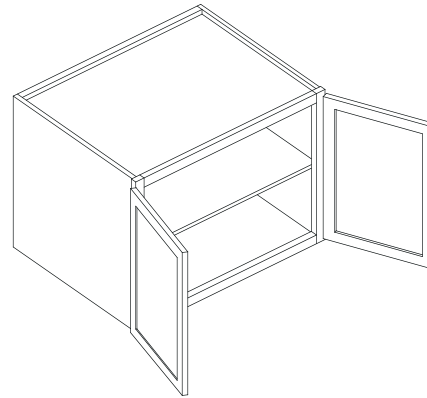
Wall Cabinets

24" High Double Door Wall



Item Code	Outer Dimensions			Opening Size		Door Size (x2)	
	W	H	D	A	H	W	H
W3024	30"	24"	12"	27"	21"	14.6875"	22.75"
W3324	33"	24"	12"	30"	21"	16.1875"	22.75"
W3624	36"	24"	12"	33"	21"	17.6875"	22.75"

24" Deep Wall (Refrigerator Cabinet)

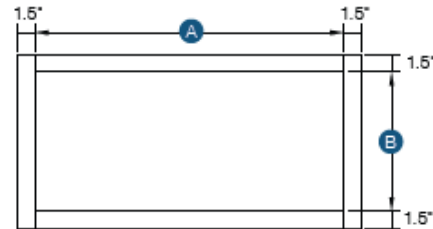
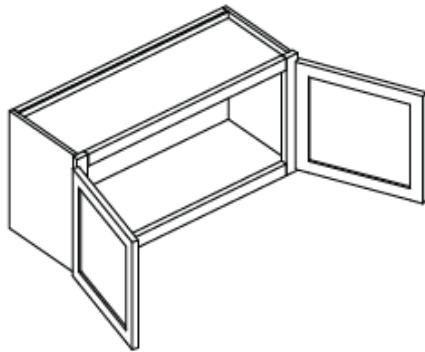


Item Code	Outer Dimensions			Opening Size		Door Size (x2)	
	W	H	D	A	B	W	H
W331824*	33"	18"	24"	30"	15"	17.6875"	16.75"
W332424**	33"	24"	24"	30"	21"	17.6875"	16.75"
W361824*	36"	18"	24"	33"	15"	17.6875"	22.75"
W362424**	36"	24"	24"	33"	21"	17.6875"	22.75"

*W361824 No shelf included

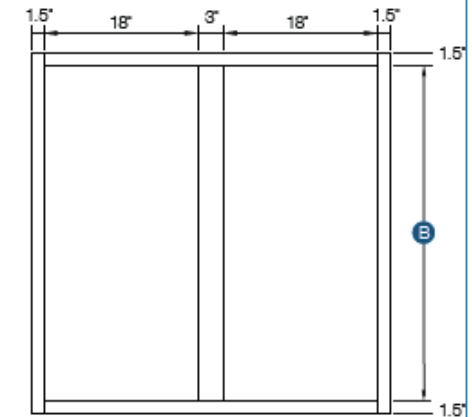
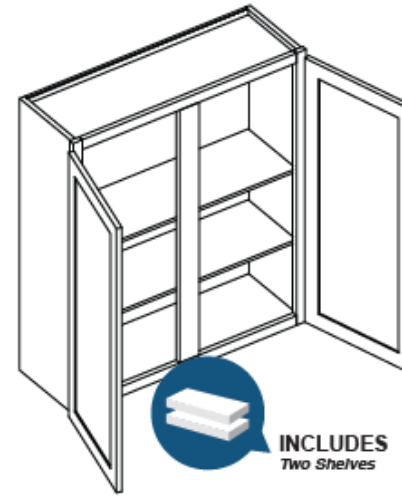
**W362424 Includes 1 shelf

12" - 21" High Double Door Wall



Item Code	Outer Dimensions			Opening Size		Door Size (x2)	
	W	H	D	A	B	W	H
W3012	30"	12"	12"	27"	9"	14.6875"	10.75"
W3312	33"	12"	12"	30"	9"	16.1875"	10.75"
W3612	36"	12"	12"	33"	12"	17.6875"	13.75"
W3015	30"	15"	12"	27"	12"	14.6875"	13.75"
W3315	33"	15"	12"	30"	12"	16.1875"	13.75"
W3615	36"	15"	12"	33"	12"	17.6875"	13.75"
W3018	30"	18"	12"	27"	15"	14.6875"	16.75"
W3318	33"	18"	12"	30"	15"	16.1875"	16.75"
W3618	36"	18"	12"	33"	15"	17.6875"	16.75"
W3021	30"	21"	12"	27"	18"	14.6875"	19.75"

30" - 36" High Double Door Wall with Center Stile

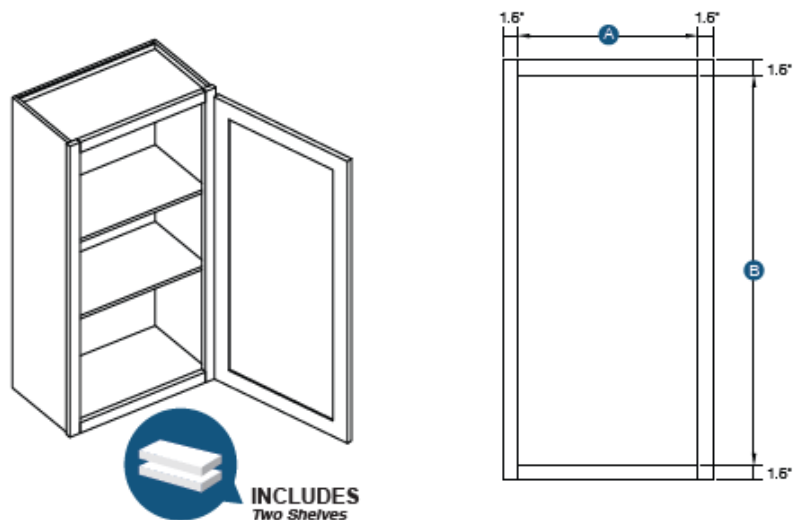


Item Code	Outer Dimensions			Opening Size		Door Size (x2)	
	W	H	D	W	B	W	H
W4230	42"	30"	12"	18"	27"	20.5"	28.75"
W4236	42"	36"	12"	18"	33"	20.5"	34.75"

Product Specs

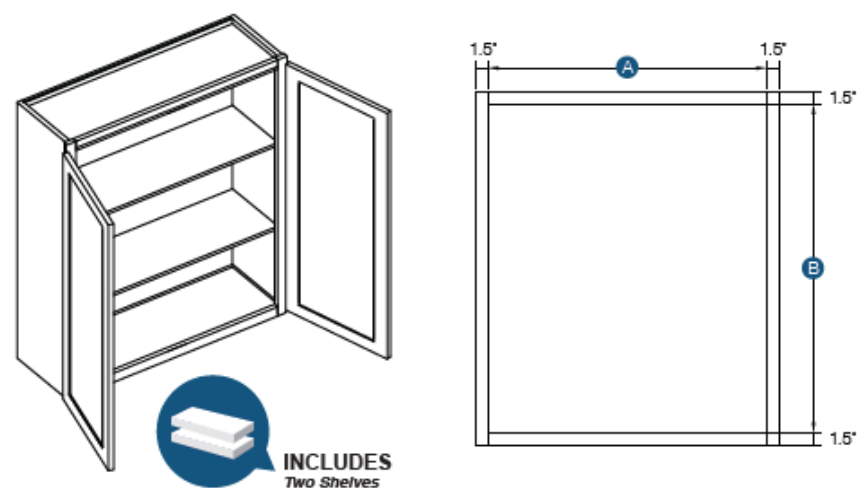
Wall Cabinets

30" - 36" High Single Door Wall



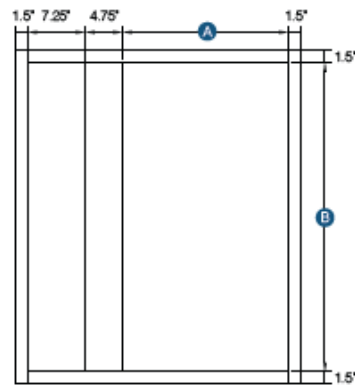
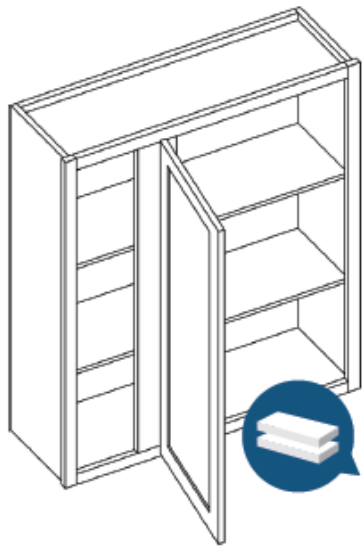
Item Code	Outer Dimensions			Opening Size		Door Size	
	W	H	D	A	H	W	H
W930	9	30	12	6"	27"	8.5"	28.75"
W1230	12	30	12	9"	27"	11.5"	28.75"
W1530	15	30	12	12"	27"	14.5"	28.75"
W1830	18	30	12	15"	27"	17.5"	28.75"
W2130	21	30	12	18"	27"	20.5"	28.75"
W936	9	36	12	6"	33"	8.5"	34.75"
W1236	12	36	12	9"	33"	11.5"	34.75"
W1536	15	36	12	12"	33"	14.5"	34.75"
W1836	18	36	12	15"	33"	17.5"	34.75"
W2136	21	36	12	18"	33"	20.5"	34.75"

30" - 36" High Double Door Wall



Item Code	Outer Dimensions			Opening Size		Door Size (x2)	
	W	H	D	A	B	W	H
W2430-2	24"	30"	12"	21"	27"	11.6875"	28.75"
W2730	27"	30"	12"	24"	27"	13.1875"	28.75"
W3030	30"	30"	12"	27"	27"	14.6875"	28.75"
W3330	33"	30"	12"	30"	27"	16.1875"	28.75"
W3630	36"	30"	12"	33"	27"	17.6875"	28.75"
W3930	39"	30"	12"	36"	27"	19.1875"	28.75"
W2436-2	24"	36"	12"	21"	33"	11.6875"	34.75"
W2736	27"	36"	12"	24"	33"	13.1875"	34.75"
W3036	30"	36"	12"	27"	33"	14.6875"	34.75"
W3336	33"	36"	12"	30"	33"	16.1875"	34.75"
W3636	36"	36"	12"	33"	33"	17.6875"	34.75"
W3936	39"	36"	12"	36"	33"	19.1875"	34.75"

30" - 36" High Blind Wall

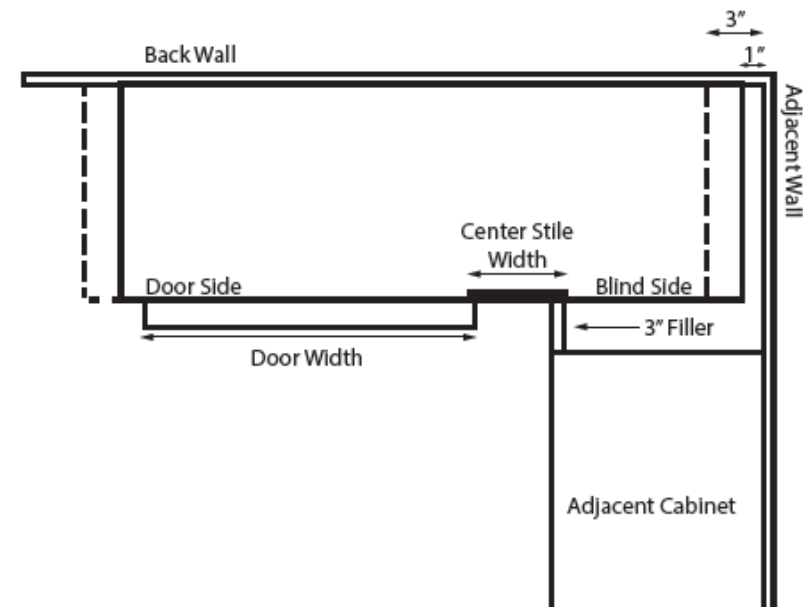


INCLUDES
Two Shelves

Item Code	Outer Dimensions			Opening Size		Door Size	
	W	H	D	A	B	W	H
BW2430	24"	30"	12"	9"	27"	11.5"	28.75"
BW3030	30"	30"	12"	15"	27"	17.5"	28.75"
BW3630	36"	30"	12"	21"	27"	23.5"	28.75"
BW2436	24"	36"	12"	9"	33"	11.5"	34.75"
BW3036	30"	36"	12"	15"	33"	17.5"	34.75"
BW3636	36"	36"	12"	21"	33"	23.5"	34.75"

Installing a Blind Wall Cabinet

Proper installation ensures that the doors will open and show correct reveal

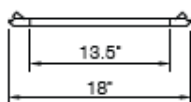
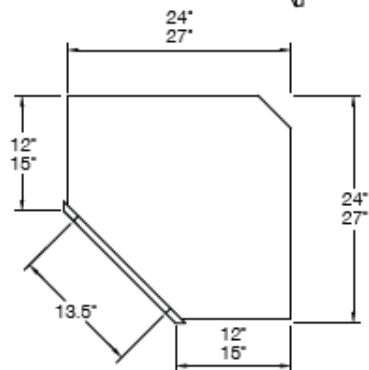
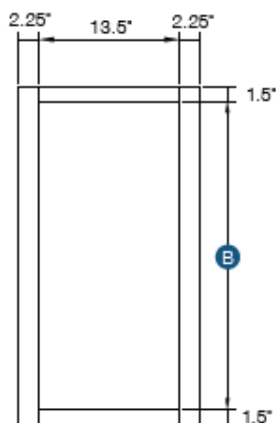
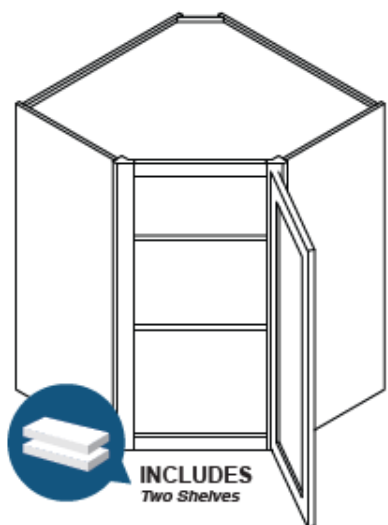


- Choose the blind side and assemble accordingly
- Place cabinet against the back wall and position the blind side 1"-3" away from the adjacent wall
- Place at least a 3" filler next to the adjacent cabinet
(filler is not included)

Product Specs

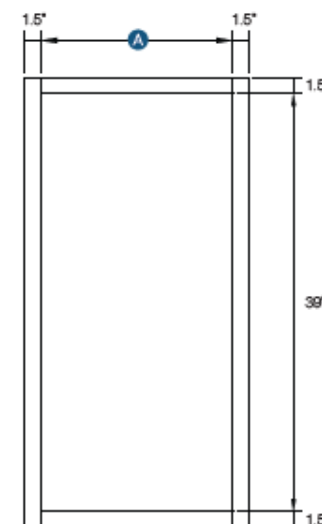
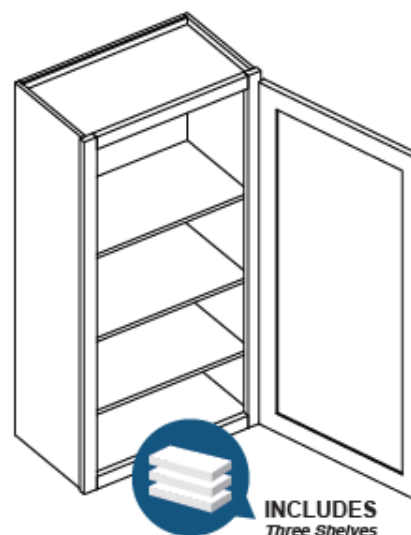
Wall Cabinets

30" - 36" High Corner Wall



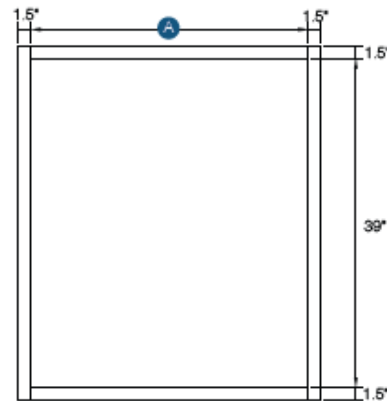
Item Code	Outer Dimensions			Opening Size		Door Size	
	W	H	D	W	B	W	H
CW2430	24"	30"	12"	13.5"	27"	14.5"	28.75"
CW2436	24"	36"	12"	13.5"	33"	14.5"	34.75"
CW2736	27"	36"	15"	13.5"	33"	14.5"	34.75"

42" High Single Door Wall



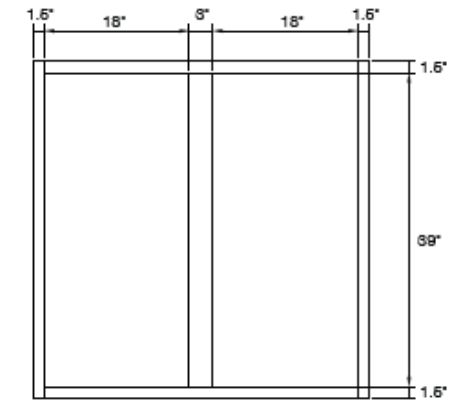
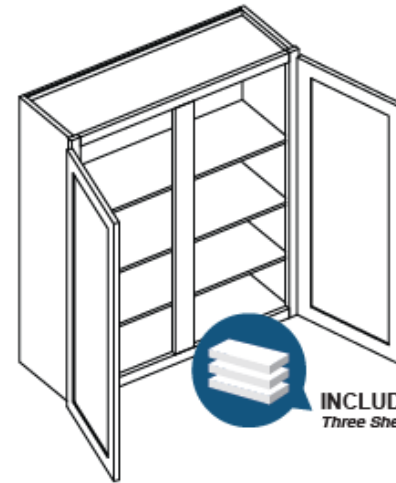
Item Code	Outer Dimensions			Opening Size		Door Size	
	W	H	D	A	H	W	H
W942	9"	42"	12"	6"	39"	8.5"	40.75"
W1242	12"	42"	12"	9"	39"	11.5"	40.75"
W1542	15"	42"	12"	12"	39"	14.5"	40.75"
W1842	18"	42"	12"	15"	39"	17.5"	40.75"
W2142	21"	42"	12"	18"	39"	20.5"	40.75"

42" High Double Door Wall



Item Code	Outer Dimensions			Opening Size		Door Size (x2)	
	W	H	D	A	H	W	H
W2442-2	24"	42"	12"	21"	39"	11.6875"	40.75"
W2742	27"	42"	12"	24"	39"	13.1875"	40.75"
W3042	30"	42"	12"	27"	39"	14.6875"	40.75"
W3342	33"	42"	12"	30"	39"	16.1875"	40.75"
W3642	36"	42"	12"	33"	39"	17.6875"	40.75"
W3942	39"	42"	12"	36"	39"	19.1875"	40.75"

42" High Double Door Wall with Center Stile

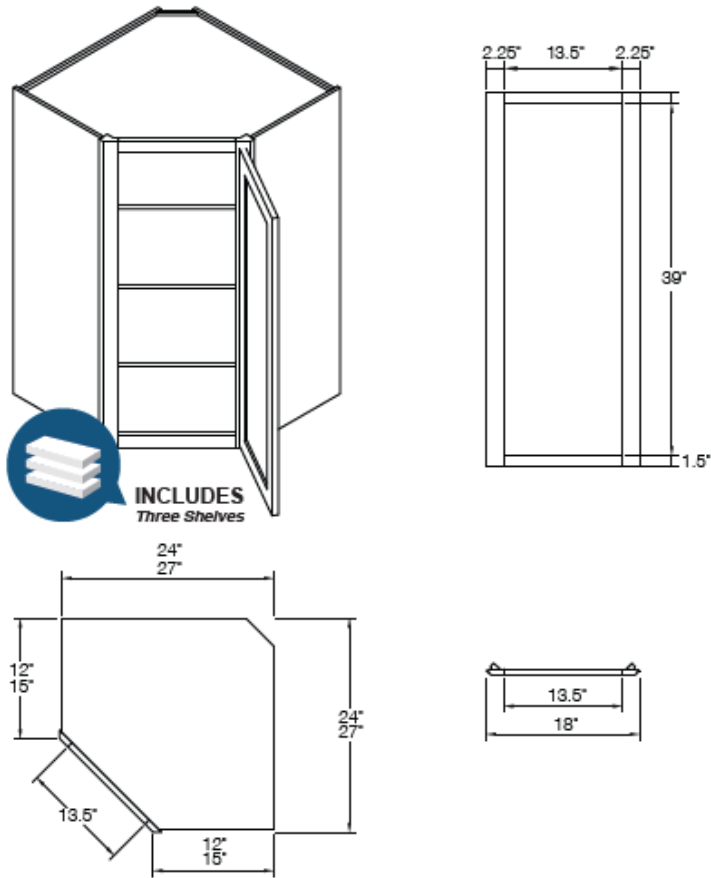


Item Code	Outer Dimensions			Opening Size		Door Size (x2)	
	W	H	D	W	H	W	H
W4242	42"	42"	12"	18"	39"	20.5"	40.75"

Product Specs

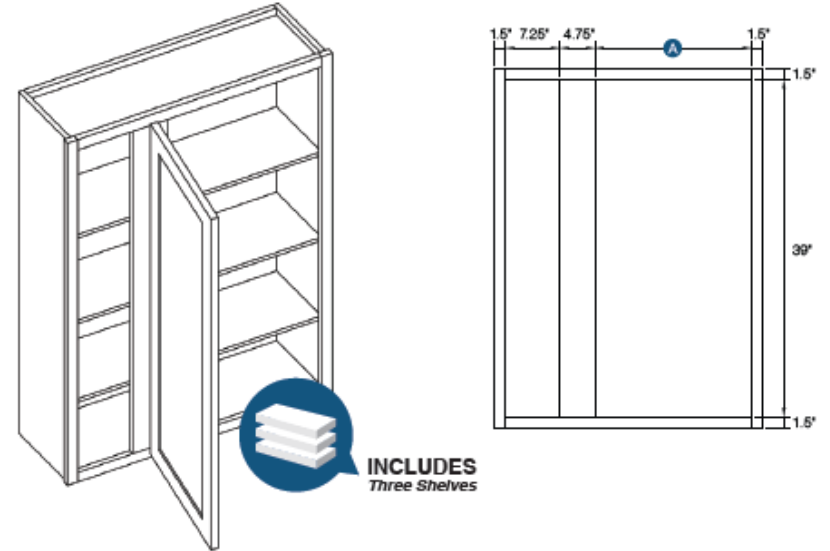
Wall Cabinets

42" High Corner Wall



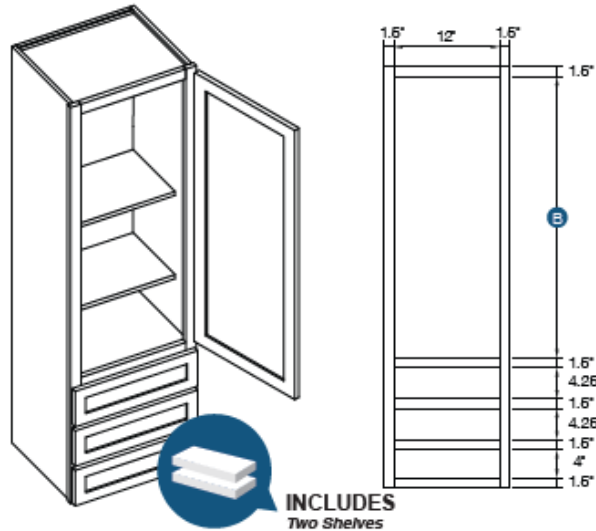
Item Code	Outer Dimensions			Opening Size		Door Size	
	W	H	D	W	H	W	H
CW2442	24"	42"	12"	13.5"	39"	14.5"	40.75"
CW2742	27"	42"	15"	13.5"	39"	14.5"	40.75"

42" High Blind Wall



Item Code	Outer Dimensions			Opening Size		Door Size	
	W	H	D	W	B	W	H
BW3042	30"	42"	12"	15"	39"	17.5"	40.75"
BW3642	36"	42"	12"	21"	39"	23.5"	40.75"

Wall Tower with 3 Drawers



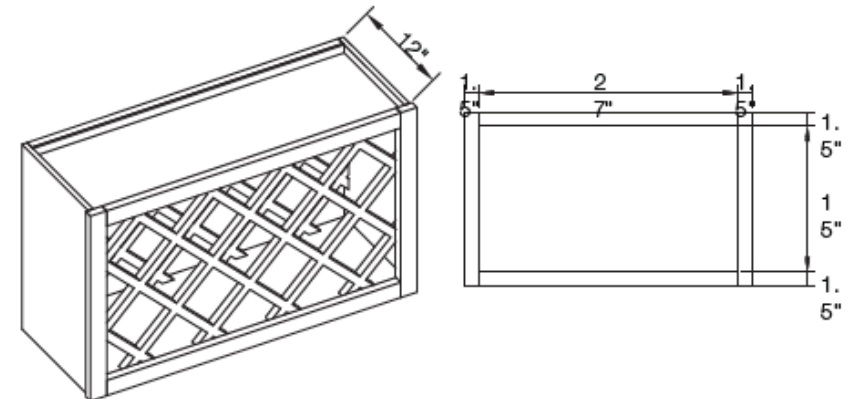
Item Code	Outer Dimensions			Door Opening		Door Size	
	W	H	D	W	B	W	H
DWR1548	15"	48"	15"	12"	28"	14.5"	28.75"
DWR1554	15"	54"	15"	12"	34"	14.5"	34.75"
DWR1560*	15"	60"	15"	12"	40"	14.5"	40.75"

Item Code	Top/Middle Opening		Top/Middle Drawer Front Size	
	W	H	W	H
DWR1548	12"	4.25"	14.5"	5.5"
DWR1554	12"	4.25"	14.5"	5.5"
DWR1560	12"	4.25"	14.5"	5.5"

Item Code	Bottom Opening		Bottom Drawer Front Size	
	W	H	W	H
DWR1548	12"	4"	14.5"	5.5"
DWR1554	12"	4"	14.5"	5.5"
DWR1560	12"	4"	14.5"	5.5"

*DWR1560 - Includes 3 shelves

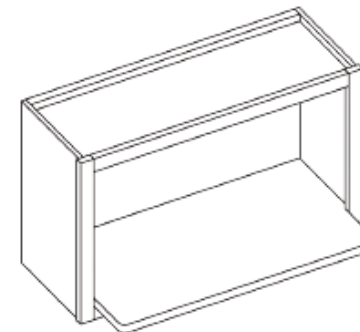
Wine Rack



Item Code	Outer Dimensions			Opening Size	
	W	H	D	W	H
WR3018	30"	18"	12"	27"	15"

Can be installed vertically or horizontally
Wine Rack holds 11 standard wine bottles

Microwave Wall Cabinet

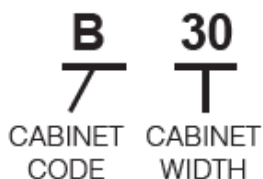


Item Code	Outer Dimensions			Opening Size	
	W	H	D	W	H
MWC3018	30"	18"	12"	27"	15"

Product Specs

Base Cabinets

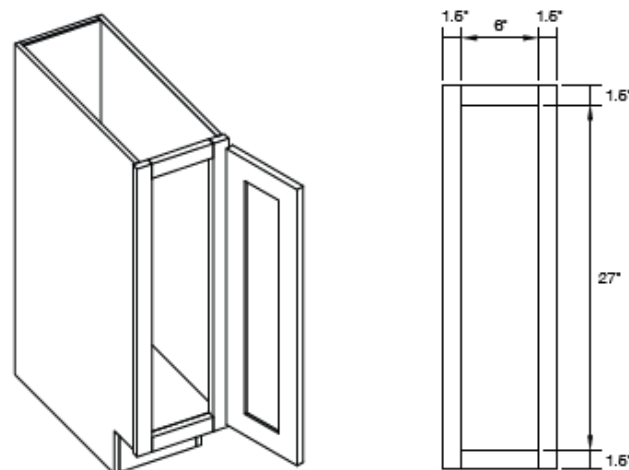
Base Cabinet Coding



Notes:

- Standard base cabinets are 24" deep and 34.5" high.
- Add door thickness for total cabinet depth.
- Please refer to the Products by Cabinet Line chart to determine which products are carried for each cabinet line.

Single Door Full Height Base



Item Code	Outer Dimensions			Opening Size		Door Size	
	W	H	D	W	H	W	H
B09	9"	34.5"	24"	6"	27"	8.5"	28.75"

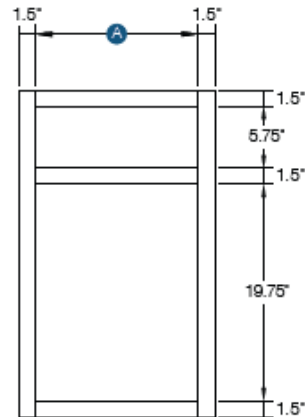
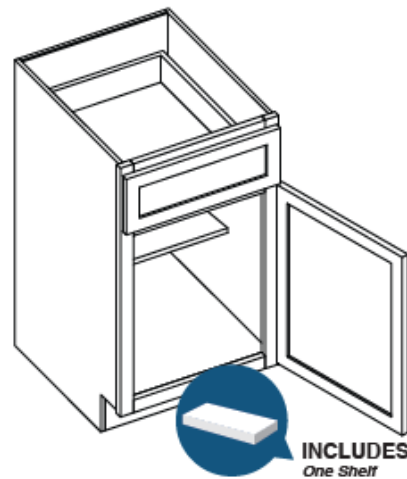
Single Door Full Height Base

Value Series

Item Code	Outer Dimensions			Opening Size		Door Size	
	W	H	D	W	H	W	H
B09	9"	34.5"	24"	6"	27"	8.625"	28.5"

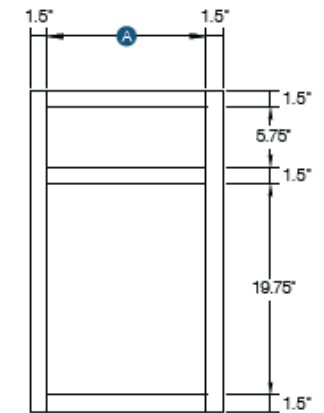
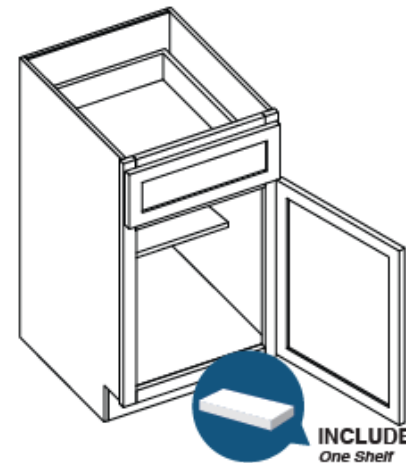
Single Door Standard Base

Premier and Select Series



Single Door Standard Base

Value Series



Item Code	Outer Dimensions			Drawer Opening		Door Opening	
	W	H	D	A	H	A	H
B12	12"	34.5"	24"	9"	5.75"	9"	19.75"
B15	15"	34.5"	24"	12"	5.75"	12"	19.75"
B18	18"	34.5"	24"	15"	5.75"	15"	19.75"
B21	21"	34.5"	24"	18"	5.75"	18"	19.75"

Item Code	Drawer Front Size		Door Size	
	W	H	W	H
B12	11.5"	6.75"	11.5"	21.5"
B15	14.5"	6.75"	14.5"	21.5"
B18	17.5"	6.75"	17.5"	21.5"
B21	20.5"	6.75"	20.5"	21.5"

Item Code	Outer Dimensions			Drawer Opening		Door Opening	
	W	H	D	A	H	A	H
B12	12"	34.5"	24"	9"	4.875"	9"	20.5"
B15	15"	34.5"	24"	12"	4.875"	12"	20.5"
B18	18"	34.5"	24"	15"	4.875"	15"	20.5"
B21	21"	34.5"	24"	18"	4.875"	18"	20.5"

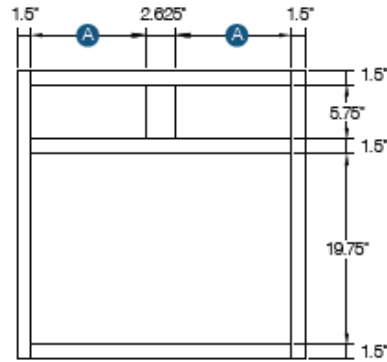
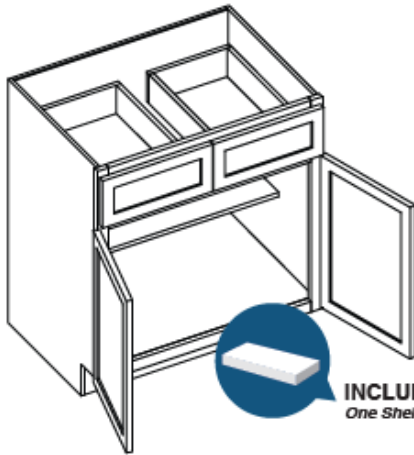
Item Code	Drawer Front Size		Door Size	
	W	H	W	H
B12	11.5"	5.75"	11.5"	22.25"
B15	14.5"	5.75"	14.5"	22.25"
B18	17.5"	5.75"	17.5"	22.25"
B21	20.5"	5.75"	20.5"	22.25"

Product Specs

Base Cabinets

Double Door Standard Base

Premier and Select Series



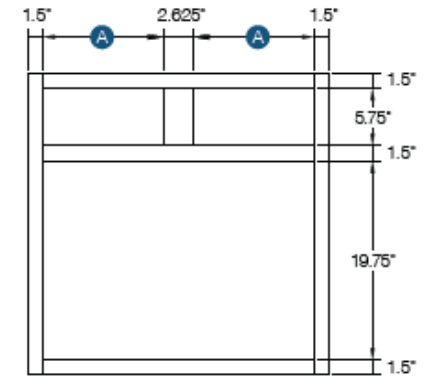
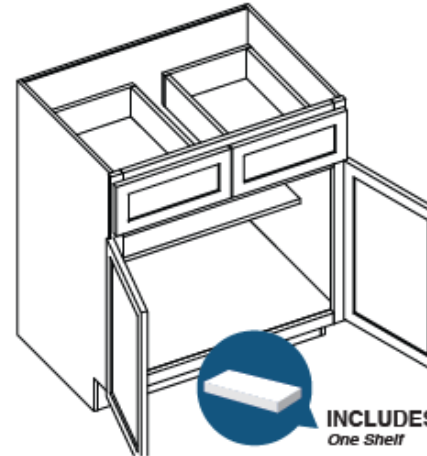
Item Code	Outer Dimensions			Drawer Opening (x2)		Door Opening	
	W	H	D	A	H	A	H
B24-2*	24"	34.5"	24"	21"	5.75"	21"	19.75"
B27	27"	34.5"	24"	10.6875"	5.75"	24"	19.75"
B30	30"	34.5"	24"	12.1875"	5.75"	27"	19.75"
B33	33"	34.5"	24"	13.6875"	5.75"	30"	19.75"
B36	36"	34.5"	24"	15.1875"	5.75"	33"	19.75"
B39	39"	34.5"	24"	16.6875"	5.75"	36"	19.75"

Item Code	Drawer Front Size (x2)		Door Size (x2)	
	W	H	W	H
B24-2*	23.5"	6.75"	11.6875"	21.5"
B27	13.1875"	6.75"	13.1875"	21.5"
B30	14.6875"	6.75"	14.6875"	21.5"
B33	16.1875"	6.75"	16.1875"	21.5"
B36	17.6875"	6.75"	17.6875"	21.5"
B39	19.1875"	6.75"	19.1875"	21.5"

*B24-2 has one drawer and two doors. Drawer measurements provided are for single drawer.

Double Door Standard Base

Value Series

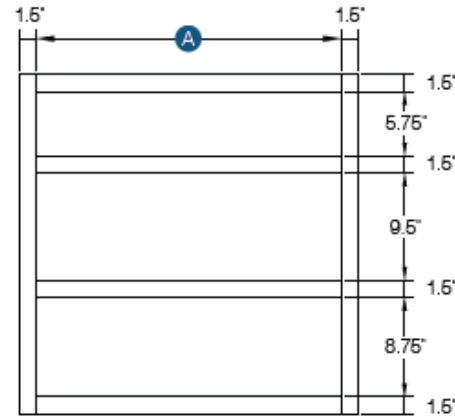
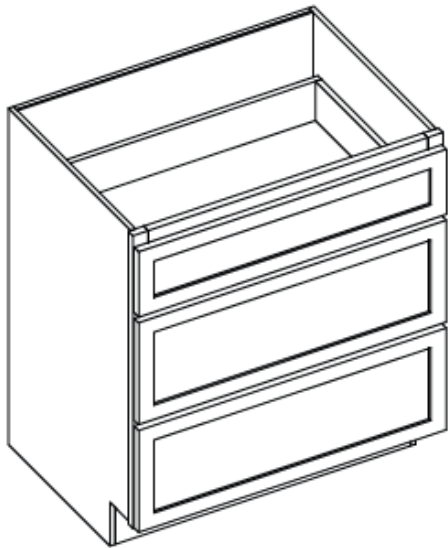


Item Code	Outer Dimensions			Drawer Opening (x2)		Door Opening	
	W	H	D	A	H	A	H
B24-2*	24"	34.5"	24"	21"	4.875"	21"	20.5"
B27	27"	34.5"	24"	10.5"	4.875"	24"	20.5"
B30	30"	34.5"	24"	12"	4.875"	27"	20.5"
B33	33"	34.5"	24"	13.5"	4.875"	30"	20.5"
B36	36"	34.5"	24"	15"	4.875"	33"	20.5"

Item Code	Drawer Front Size (x2)		Door Size (x2)	
	W	H	W	H
B24-2*	23.5"	5.75"	11.625"	22.25"
B27	13.125"	5.75"	13.125"	22.25"
B30	14.625"	5.75"	14.625"	22.25"
B33	16.125"	5.75"	16.125"	22.25"
B36	17.625"	5.75"	17.625"	22.25"

*B24-2 has one drawer and two doors. Drawer measurements provided are for single drawer.

Drawer Base Premier and Select Series



Item Code	Outer Dimensions			Top Opening		Top Drawer Front Size	
	W	H	D	A	H	A	H
DB12-3	12"	34.5"	24"	9"	5.75"	11.5"	6.75"
DB15-3	15"	34.5"	24"	12"	5.75"	14.5"	6.75"
DB18-3	18"	34.5"	24"	15"	5.75"	17.5"	6.75"
DB24-3	24"	34.5"	24"	21"	5.75"	23.5"	6.75"
DB27-3*	27"	34.5"	24"	24"	5.75"	26.5"	6.75"
DB30-3	30"	34.5"	24"	27"	5.75"	29.5"	6.75"
DB33-3*	33"	34.5"	24"	30"	5.75"	32.5"	6.75"
DB36-3	36"	34.5"	24"	33"	5.75"	35.5"	6.75"

Item Code	Middle Opening		Middle Drawer Front Size	
	A	H	A	H
DB12-3	9"	9.5"	11.5"	10.5"
DB15-3	12"	9.5"	14.5"	10.5"
DB18-3	15"	9.5"	17.5"	10.5"
DB24-3	21"	9.5"	23.5"	10.5"
DB27-3	24"	9.5"	26.5"	10.5"
DB30-3	27"	9.5"	29.5"	10.5"
DB33-3	30"	9.5"	32.5"	10.5"
DB36-3	33"	9.5"	35.5"	10.5"

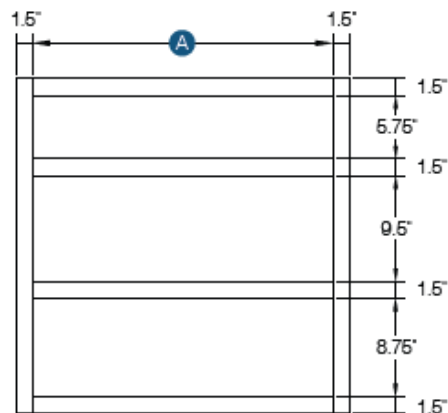
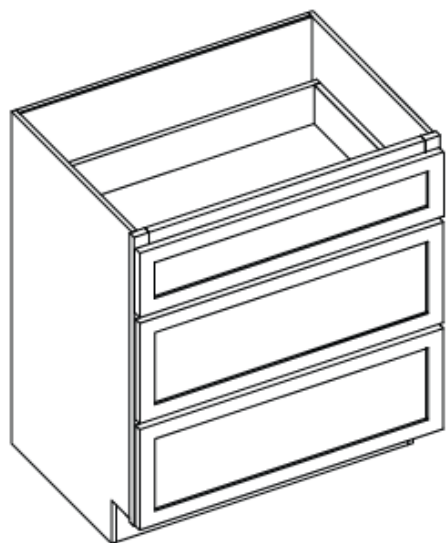
Item Code	Bottom Opening		Bottom Drawer Front Size	
	A	H	A	H
DB12-3	9"	8.75"	11.5"	10.5"
DB15-3	12"	8.75"	14.5"	10.5"
DB18-3	15"	8.75"	17.5"	10.5"
DB24-3	21"	8.75"	23.5"	10.5"
DB27-3	24"	8.75"	26.5"	10.5"
DB30-3	27"	8.75"	29.5"	10.5"
DB33-3	30"	8.75"	32.5"	10.5"
DB36-3	33"	8.75"	35.5"	10.5"

*Only available in Shaker & Brooklyn

Product Specs

Base Cabinets

Drawer Base *Value Series*

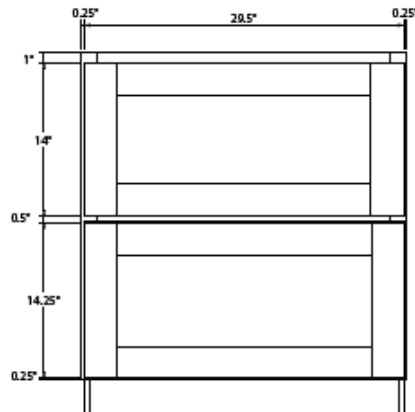
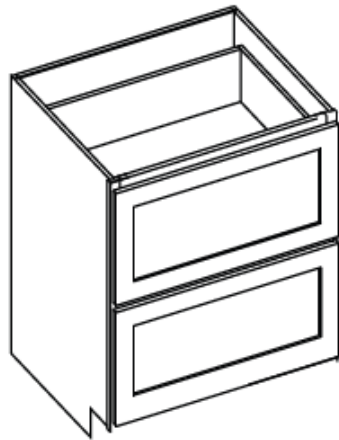


Item Code	Outer Dimensions			Top Opening		Top Drawer Front Size	
	W	H	D	A	H	A	H
DB12-3	12"	34.5"	24"	9"	4.875"	11.5"	5.75"
DB15-3	15"	34.5"	24"	12"	4.875"	14.5"	5.75"
DB18-3	18"	34.5"	24"	15"	4.875"	17.5"	5.75"
DB21-3	21"	34.5"	24"	18"	4.875"	20.5"	5.75"
DB24-3	24"	34.5"	24"	21"	4.875"	23.5"	5.75"
DB30-3	30"	34.5"	24"	27"	4.875"	29.5"	5.75"

Item Code	Middle Opening		Middle Drawer Front Size	
	A	H	A	H
DB12-3	9"	9.875"	11.5"	10.25"
DB15-3	12"	9.875"	14.5"	10.25"
DB18-3	15"	9.875"	17.5"	10.25"
DB21-3	18"	9.875"	20.5"	10.25"
DB24-3	21"	9.875"	23.5"	10.25"
DB30-3	27"	9.875"	29.5"	10.25"

Item Code	Bottom Opening		Bottom Drawer Front Size	
	A	H	A	H
DB12-3	9"	9.125"	11.5"	10.5"
DB15-3	12"	9.125"	14.5"	10.5"
DB18-3	15"	9.125"	17.5"	10.5"
DB21-3	18"	9.125"	20.5"	10.5"
DB24-3	21"	9.125"	23.5"	10.5"
DB30-3	27"	9.125"	29.5"	10.5"

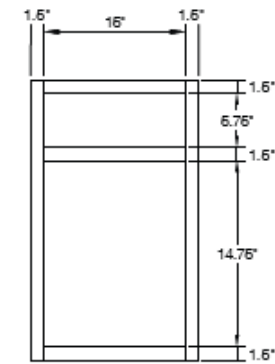
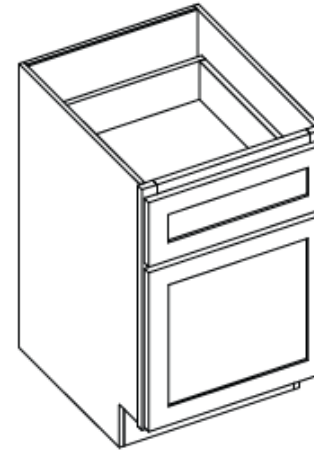
Two Drawer Base



Item Code	Outer Dimensions			Top Opening		Top Drawer Front Size	
	W	H	D	W	H	W	H
	DB30-2	30"	34.5"	24"	27"	13"	29.5"
DB36-2	36"	34.5"	24"	27"	13"	29.5"	14"

Item Code	Bottom Opening		Bottom Drawer Front Size	
	W	H	W	H
DB30-2	27"	12.5"	29.5"	14.25"
DB36-2	27"	12.5"	29.5"	14.25"

Desk Drawer Base



Item Code	Outer Dimensions			Top Opening		Top Drawer Front Size	
	W	H	D	W	H	W	H
DDB18	18"	29.5"	24"	15"	5.75"	17.5"	6.75"

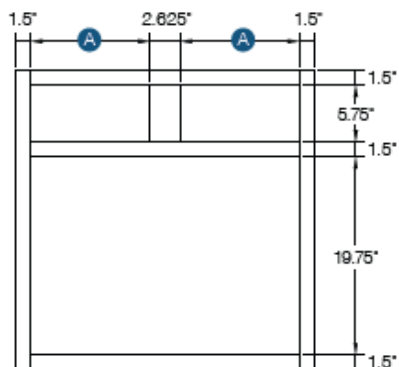
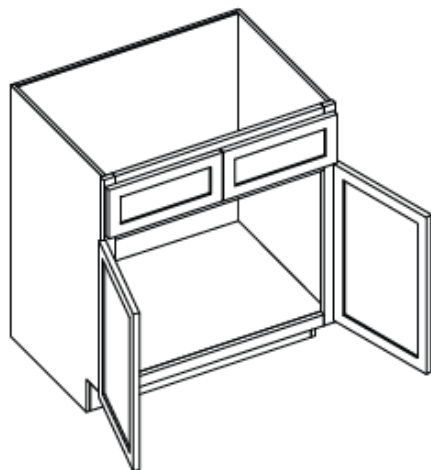
Item Code	Bottom Opening		Bottom Drawer Front Size	
	W	H	W	H
DDB18	15"	14.75"	17.5"	16.75"

Product Specs

Base Cabinets

Sink Base

Premier Series

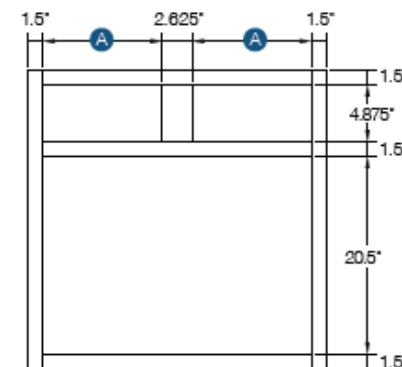
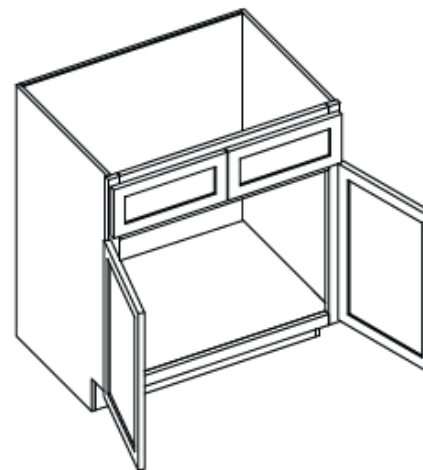


Item Code	Outer Dimensions			False Drawer Opening (x2)		Door Opening	
	W	H	D	A	H	W	H
SB30	30"	34.5"	24"	12.1875"	5.75"	27"	19.75"
SB33	33"	34.5"	24"	13.6875"	5.75"	30"	19.75"
SB36	36"	34.5"	24"	15.1875"	5.75"	33"	19.75"

Item Code	False Drawer Front Size (x2)		Door Size (x2)	
	W	H	W	H
SB30	14.6875"	6.75"	14.6875"	21.5"
SB33	16.1875"	6.75"	16.1875"	21.5"
SB36	17.6875"	6.75"	17.6875"	21.5"

Sink Base

Value Series

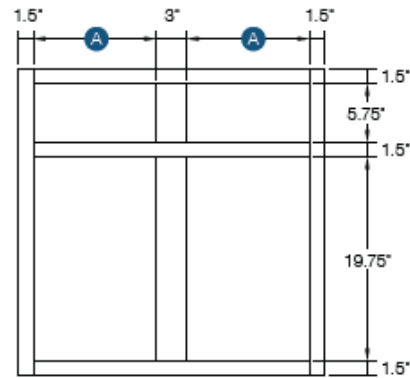
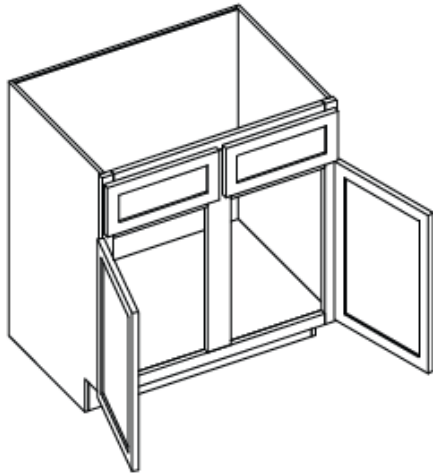


Item Code	Outer Dimensions			False Drawer Opening (x2)		Door Opening	
	W	H	D	A	H	W	H
SB30	30"	34.5"	24"	12"	4.875"	27"	20.5"
SB33	33"	34.5"	24"	13.5"	4.875"	30"	20.5"
SB36	36"	34.5"	24"	15"	4.875"	33"	20.5"

Item Code	False Drawer Front Size (x2)		Door Size (x2)	
	W	H	W	H
SB30	14.625"	5.75"	14.625"	22.25"
SB33	16.125"	5.75"	16.125"	22.25"
SB36	17.625"	5.75"	17.625"	22.25"

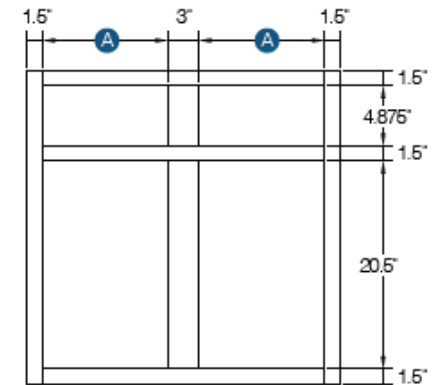
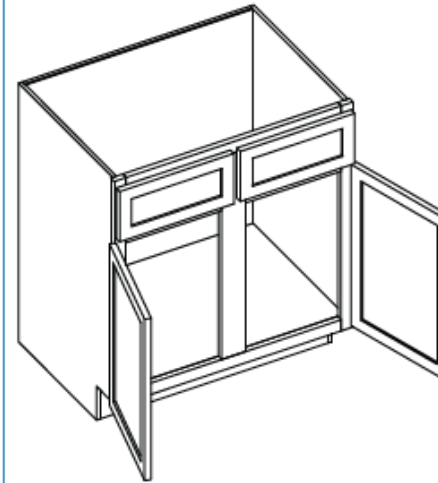
Sink Base with Center Stile

Premier Series



Sink Base with Center Stile

Value Series



Item Code	Outer Dimensions			False Drawer Opening (x2)		Door Opening	
	W	H	D	A	H	W	H
SB42	42"	34.5"	24"	18"	5.75"	39"	19.75"
SB48	48"	34.5"	24"	21"	5.75"	45"	19.75"

Item Code	False Drawer Front Size (x2)		Door Size (x2)	
	W	H	W	H
SB42	20.5"	6.75"	20.5"	21.5"
SB48	23.5"	6.75"	23.5"	21.5"

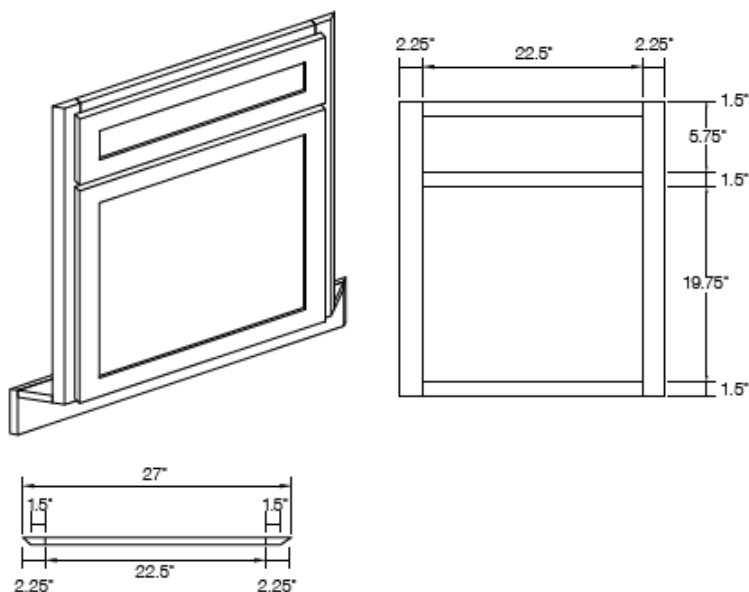
Item Code	Outer Dimensions			False Drawer Opening (x2)		Door Opening	
	W	H	D	A	H	W	H
SB42	42"	34.5"	24"	18"	4.875"	18"	20.5"

Item Code	False Drawer Front Size (x2)		Door Size (x2)	
	W	H	W	H
SB42	20"	5.75"	20"	22.25"

Product Specs

Base Cabinets

Corner Sink Front *Premier Series*

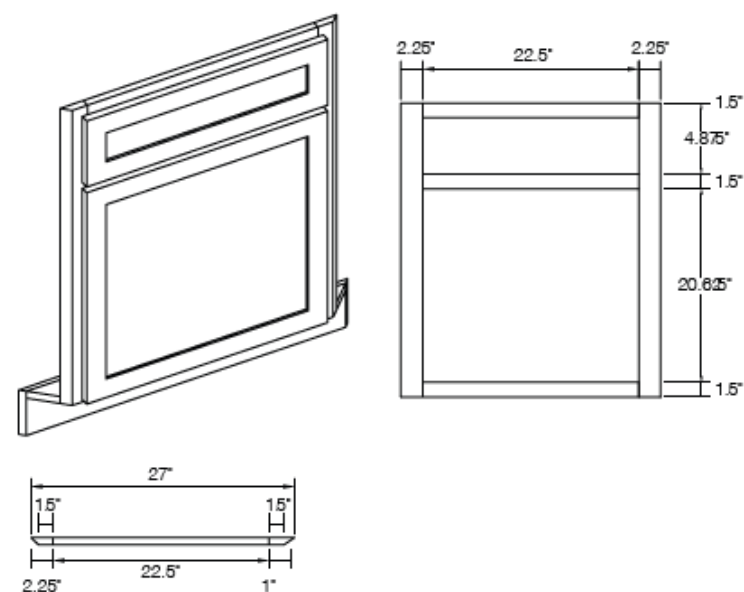


Item Code	Outer Dimensions			Door Opening		Door Size	
	W	H	D	W	H	W	H
CSF42	27	34.5	2	22.5"	19.75"	23.5"	21.5"

Item Code	Drawer Opening		Drawer Front Size	
	W	H	W	H
CSF42	22.5"	5.75"	23.5"	6.75"

Sink floor sold separately - YN-CSF-FLOO

Corner Sink Front *Value Series*

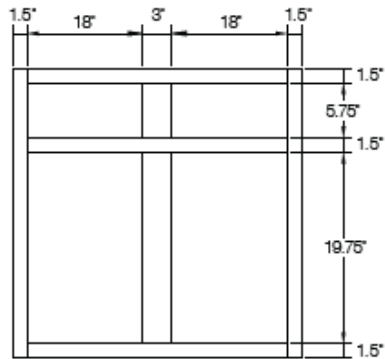
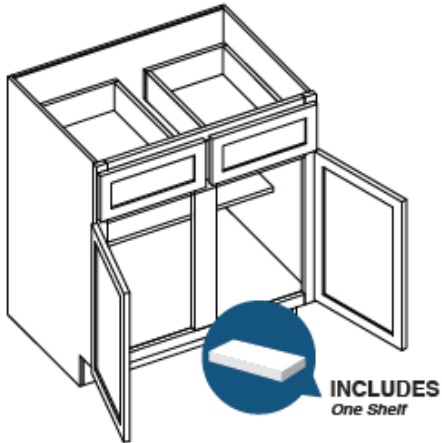


Item Code	Outer Dimensions			Door Opening		Door Size	
	W	H	D	W	H	W	H
CSF42	27	34.5	2	22.5"	20.625"	23.5"	22.25"

Item Code	Drawer Opening		Drawer Front Size	
	W	H	W	H
CSF42	22.5"	4.875"	23.5"	5.75"

Sink floor sold separately - YN-CSF-FLOO

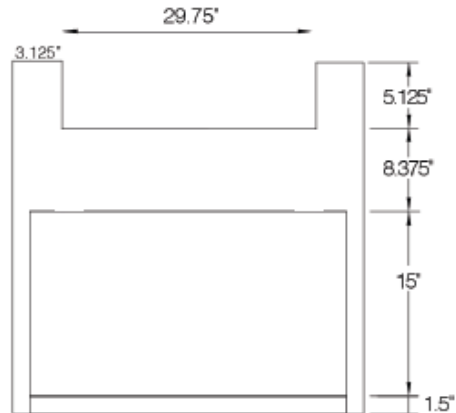
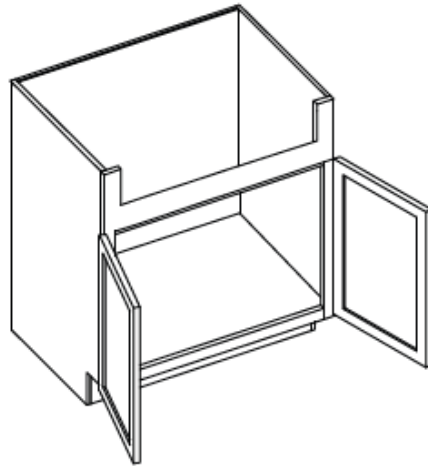
Double Door Standard Base with Center Stile



Item Code	Outer Dimensions			Drawer Opening (x2)		Door Opening (x2)	
	W	H	D	W	H	W	H
B42	42"	34.5"	24"	18"	5.75"	18"	19.75"

Item Code	Drawer Front Size (x2)		Door Size (x2)	
	W	H	W	H
B42	20.5"	6.75"	20.5"	21.5"

36" Farm House Sink Base



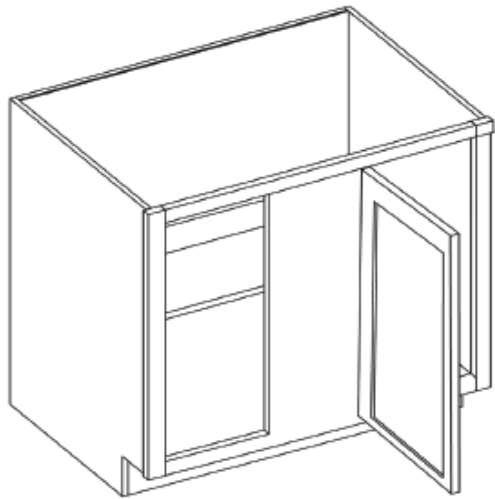
Item Code	Outer Dimensions			Door Opening	
	W	H	D	W	H
FSB36	36"	34.5"	24"	33"	15"

Item Code	Door Size (x2)	
	W	H
FSB36	17.687"	17"

Product Specs

Base Cabinets

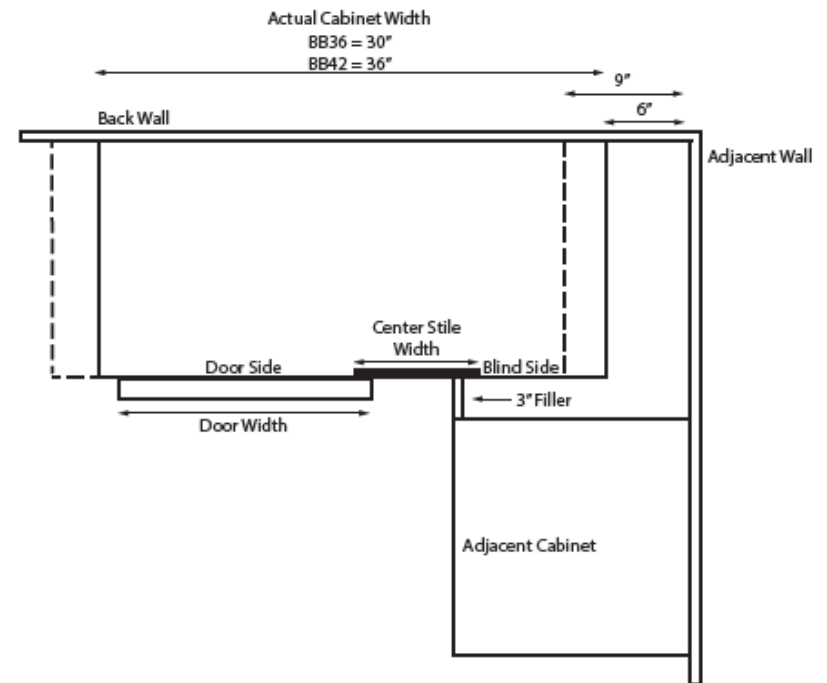
36" Blind Base



Item Code	Outer Dimensions			Door Opening		Door Size	
	W	H	D	W	H	W	H
BB36	30"	34.5"	24"	9"	27"	11.5"	28.75"

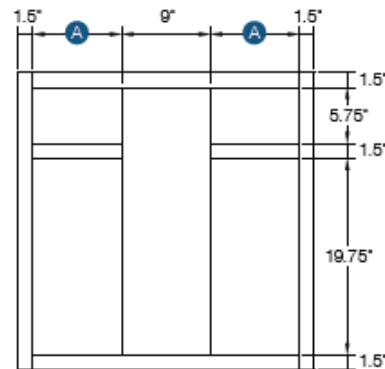
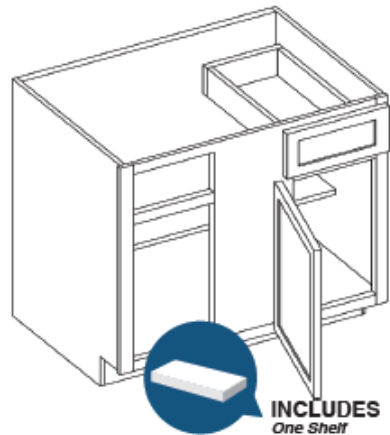
Installing a 36" - 42" Blind Base

Proper installation ensures that the drawer will clear hardware, and doors will open, and show correct reveal



- Choose the blind side and assemble accordingly
- Place the cabinet back against the back wall
 - BB36 and BB42 – position the blind side 6"-9" away from the adjacent wall
- Place at least a 3" filler next to the adjacent cabinet
(filler is not included)

42" - 48" Blind Base

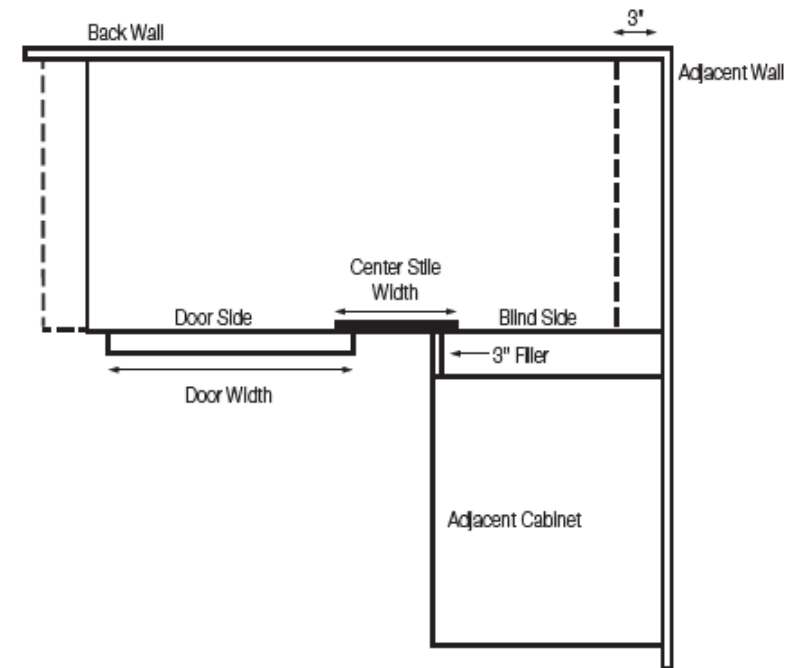


Item Code	Outer Dimensions			Drawer Opening		Door Opening	
	W	H	D	A	H	A	H
BB42	36"	34.5"	24"	12"	5.75"	12"	19.75"
BB48	48"	34.5"	24"	18"	5.75"	18"	19.75"

Item Code	Drawer Front Size		Door Size	
	W	H	W	H
BB42	14.5"	6.75"	14.5"	21.5"
BB48	20.5"	6.75"	20.5"	21.5"

Installing a 48" Blind Base

Proper installation ensures that the drawer will clear hardware, and doors will open, and show correct reveal

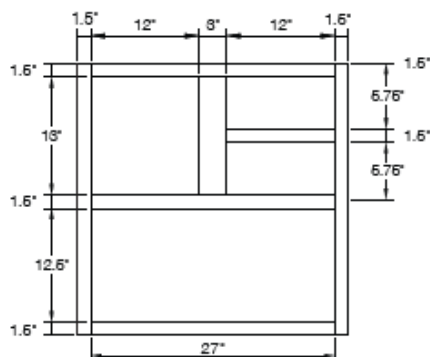
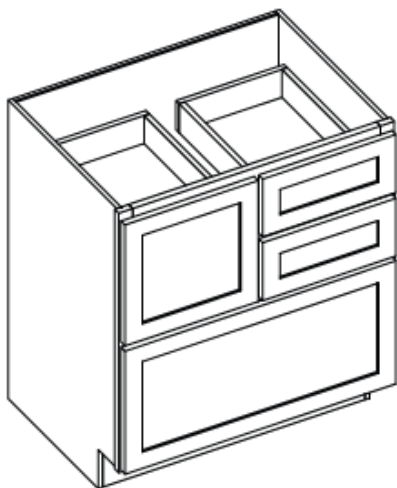


- Choose the blind side and assemble accordingly
- Place the cabinet back against the back wall
 - BB48 – position the blind side 0"-3" away from the adjacent wall
- Place at least a 3" filler next to the adjacent cabinet
(filler is not included)

Product Specs

Base Cabinets

Cooking Center

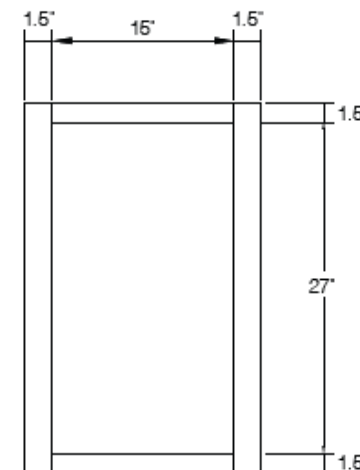
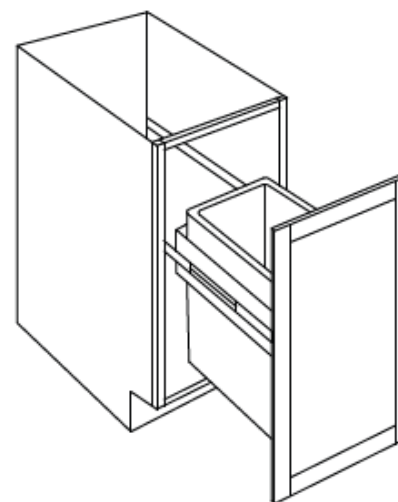


Item Code	Outer Dimensions			Top Opening		Top Drawer Front Size	
	W	H	D	W	H	W	H
CC30	30"	34.5"	24"	12"	5.75"	14.5"	6.75"

Item Code	Left Drawer Opening		Left Drawer Front Size	
	W	H	W	H
CC30	12"	13"	14.5"	14"

Item Code	Bottom Drawer Opening		Bottom Drawer Front Size	
	W	H	W	H
CC30	27"	12.5"	29.5"	14.25"

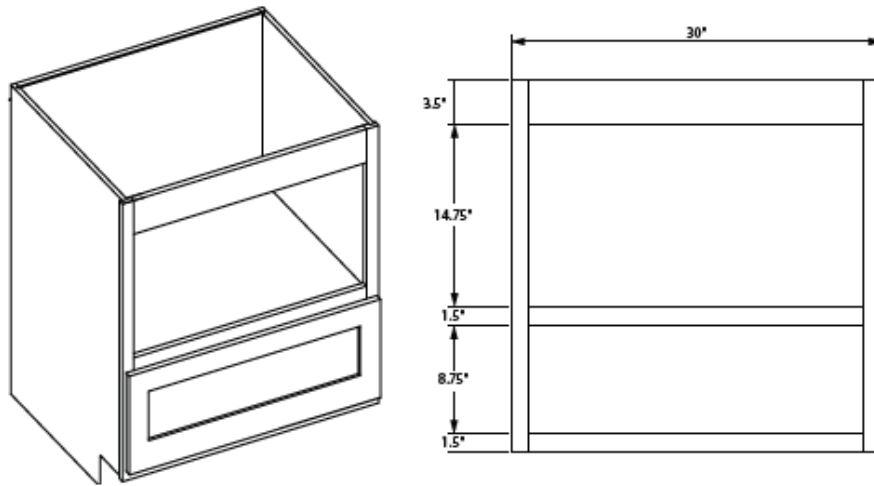
Trash Can Base (Full Height Door)



Item Code	Outer Dimensions			Opening Size		Door Size	
	W	H	D	W	H	W	H
TRB-1*	18"	34.5"	24"	15"	27"	17.5"	28.75"
TRB-2**	18"	34.5"	24"	15"	27"	17.5"	28.75"

TRB-1 shown
 *TRB-1 includes one 50 QT can
 **TRB-2 includes two 35 QT cans
 Trash Can Insert (TCCK) for B18 also available on pg 55

Microwave Base Cabinet



Item Code	Outer Dimensions			Top Opening		Bottom Opening		Drawer Size	
	W	H	D	W	H	W	H	W	H
MBC30	30"	34.5"	24"	27"	14.75"	27"	8.75"	29.5"	10.5"

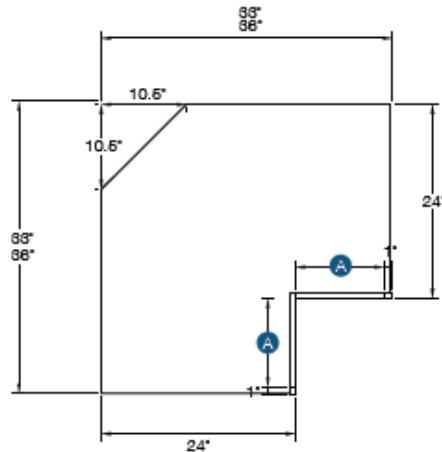
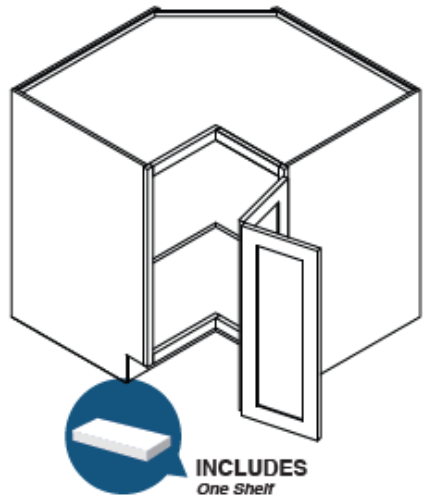
Painted interior

Product Specs

Base Cabinets

Easy Reach

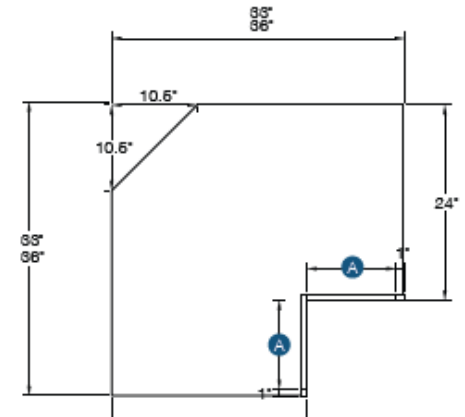
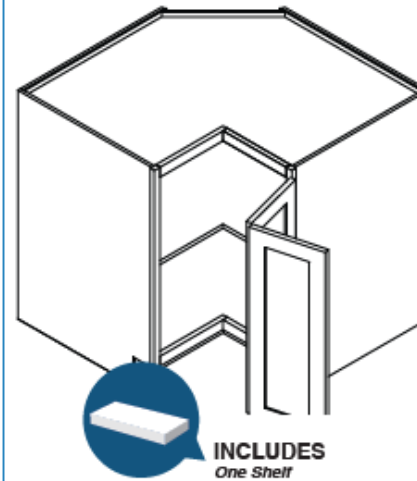
Premier and Select Series



Item Code	Outer Dimensions			Door Opening		Door Size	
	W	H	D	A	H	A	H
ER33	33"	34.5"	24"	8.75"	27"	7.75"	28.75"
ER36	36"	34.5"	24"	11.75"	27"	10.875"	28.75"

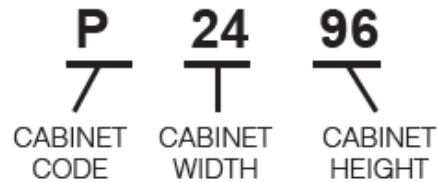
Easy Reach

Value Series



Item Code	Outer Dimensions			Door Opening		Door Size	
	W	H	D	W	H	W	H
ER36	36"	34.5"	24"	11"	27"	10.75"	28.75"

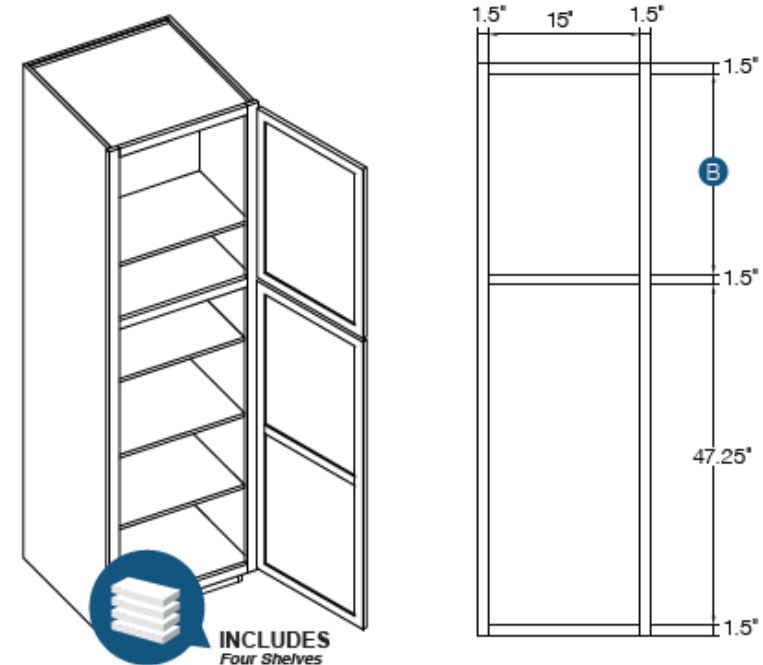
Tall Cabinet Coding



Notes:

- Standard tall cabinets are 24" deep.
- Add door thickness for total cabinet depth.
- Please refer to the Products by Cabinet Line chart to determine which products are carried for each cabinet line.

Single Door Pantry

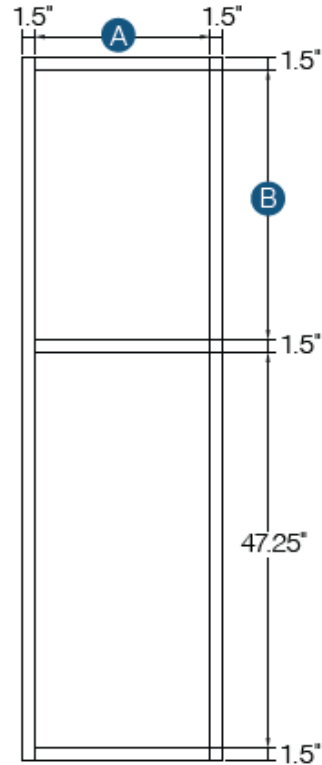
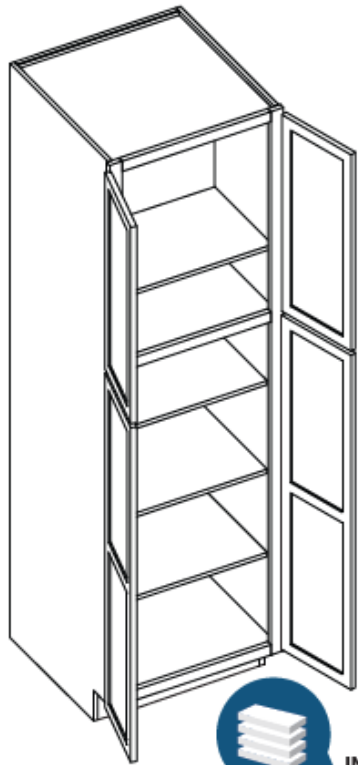


Item Code	Outer Dimensions			Top Opening		Top Door Size	
	W	H	D	W	B	W	H
P1884	18"	84"	24"	15"	27.75"	17.5"	28.75"
P1890	18"	90"	24"	15"	33.75"	17.5"	34.75"
P1896*	18"	96"	24"	15"	39.75"	17.5"	40.75"

Item Code	Bottom Opening		Bottom Door Size	
	W	H	W	H
P1884	15"	47.25"	17.5"	49"
P1890	15"	47.25"	17.5"	49"
P1896*	15"	47.25"	17.5"	49"

* P1896 - Includes 5 shelves

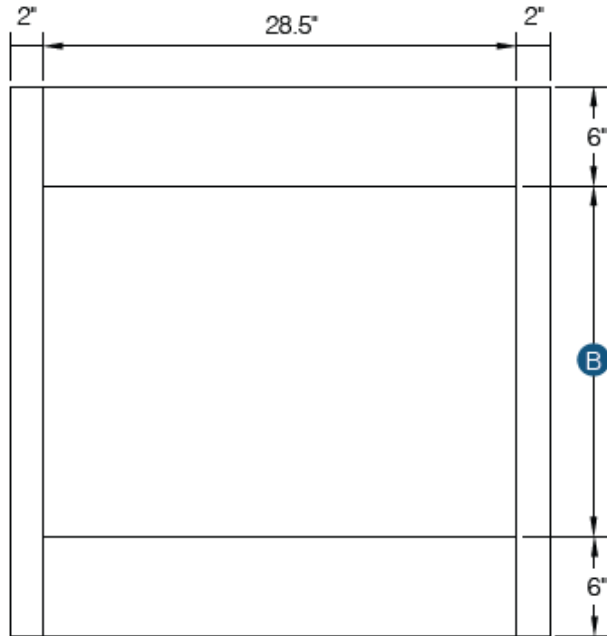
Double Door Pantry



Item Code	Outer Dimensions			Top Opening		Top Door Size	
	W	H	D	A	B	W	H
P2484	24"	84"	24"	21"	27.75"	11.6875"	28.75"
P2490	24"	90"	24"	21"	33.75"	11.6875"	34.75"
P2496*	24"	96"	24"	21"	39.75"	11.6875"	40.75"
P3084	30"	84"	24"	27"	27.75"	17.6875"	28.75"
P3090	30"	90"	24"	27"	33.75"	17.6875"	34.75"
P3096*	30"	96"	24"	27"	39.75"	17.6875"	40.75"

Item Code	Bottom Opening		Bottom Door Size	
	W	H	W	H
P2484	21"	47.25"	11.6875"	49"
P2490	21"	47.25"	11.6875"	49"
P2496*	21"	47.25"	11.6875"	49"
P3084	27"	47.25"	17.6875"	49"
P3090	27"	47.25"	17.6875"	49"
P3096*	27"	47.25"	17.6875"	49"

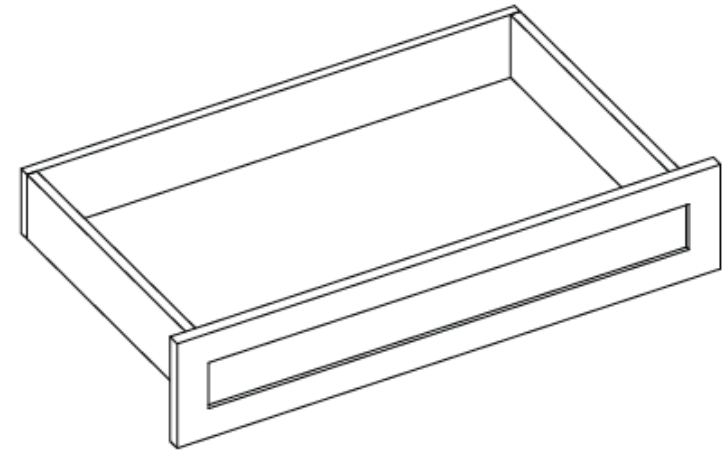
Oven Cabinet Overlay Panel



Item Code	Outer Dimensions			Opening Size	
	W	H	D	W	B
OP3353	33	55	0.75	28.5"	43"

Overlay shipped loose for field installation on oven cabinet
Trim overlay as needed to fit oven door profile and attach to the cabinet frame

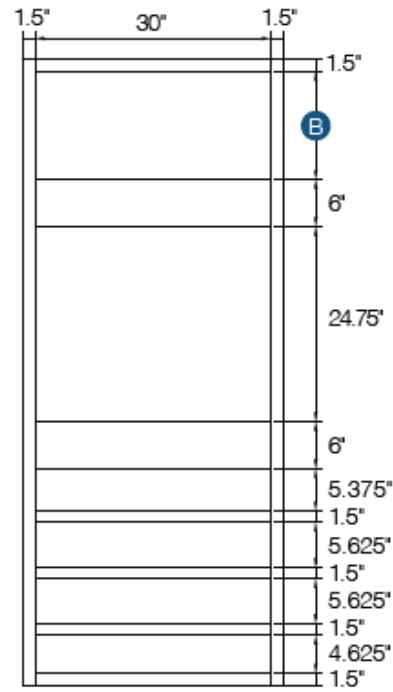
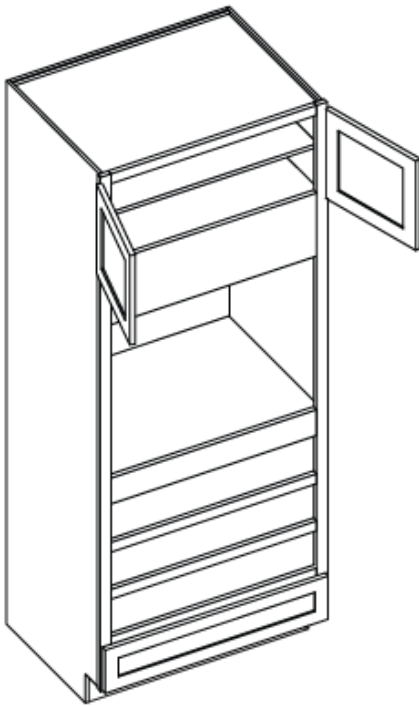
Oven Cabinet Drawer



Item Code	Drawer Size	
	W	H
OCD337	32.5"	6.75"

Same size as drawer included with Oven Cabinets

Oven Cabinet



Item Code	Outer Dimensions		
	W	H	D
OC3390*	33"	90"	24"
OC3396**	33"	96"	24"

Item Code	Door Opening		Door Size	
	W	B	W	H
OC3390*	30"	19.75"	16.1875"	21.5"
OC3396**	30"	25.75"	16.1875"	27.5"

Item Code	Top Drawer Opening		Top Drawer Front Size	
	W	H	W	H
OC3390*	30"	5.375"	32.5"	6.75"
OC3396**	30"	5.375"	32.5"	6.75"

Item Code	Middle Drawer Opening		Middle Drawer Front Size	
	W	H	W	H
OC3390*	30"	5.375"	32.5"	6.75"
OC3396**	30"	5.375"	32.5"	6.75"

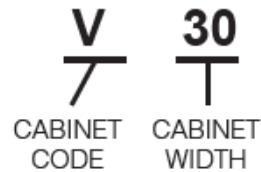
Item Code	Bottom Drawer Opening		Bottom Drawer Front Size	
	W	H	W	H
OC3390*	30"	4.375"	32.5"	6.75"
OC3396**	30"	4.375"	32.5"	6.75"

Oven cabinets have one drawer included

* OC3390 - Includes 1 shelf

** OC3396 - Includes 2 shelves

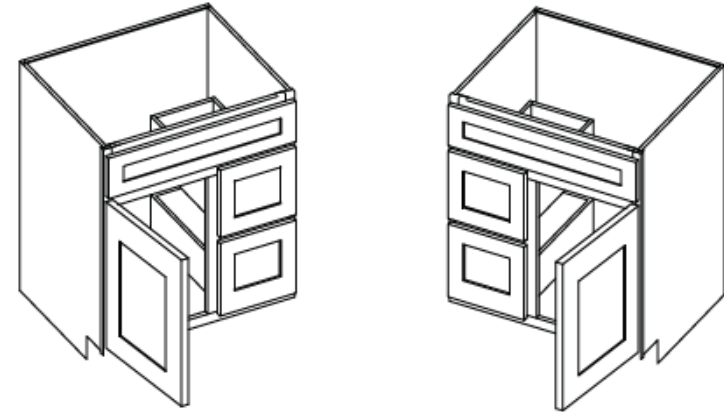
Vanity Cabinet Coding



Notes:

- Standard vanity cabinets are 21" deep.
- Add door thickness for total cabinet depth.
- Please refer to the Products by Cabinet Line chart to determine which products are carried for each cabinet line.

Vanity Combo Cabinet 30"



Item Code	Outer Dimensions			False Drawer Opening		Door Opening	
	W	H	D	W	H	W	H
VSBDR30	30"	34.5"	21"	11.5"	5.75"	15"	19.75"
VSBDL30	30"	34.5"	21"	11.5"	5.75"	15"	19.75"

Item Code	False Drawer Front Size		Door Size (x2)	
	W	H	W	H
VSBDR30 / VSBDL30	29.5"	6.75"	17.5"	21.5"

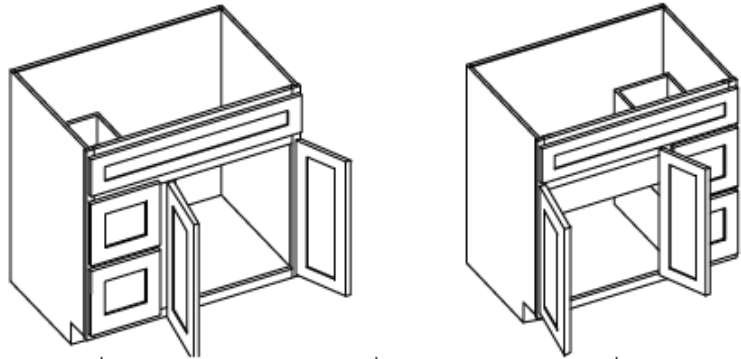
Item Code	Top Drawer Opening		Bottom Drawer Opening	
	W	H	W	H
VSBDR30 / VSBDL30	9"	9.5"	9"	8.75"

Item Code	Side Drawer Size (x2)	
	W	H
VSBDR30 / VSBDL30	11.5"	10.5"

Product Specs

Vanity Cabinets

Vanity Combo Cabinet 36"



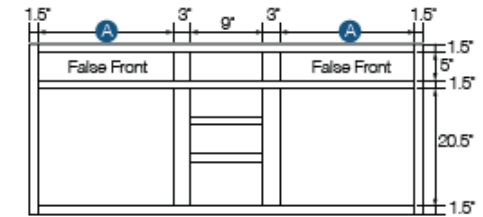
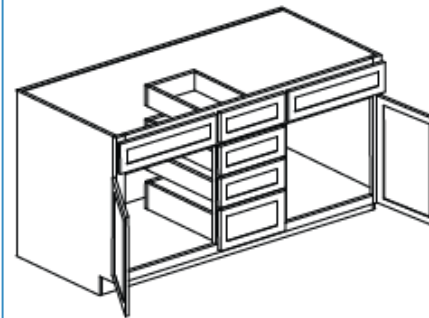
Item Code	Outer Dimensions			False Drawer Opening		Door Opening	
	W	H	D	W	H	W	H
VSBDR36	36"	34.5"	21"	33"	5.75"	20"	19.75"
VSBDL36	36"	34.5"	21"	33"	5.75"	20"	19.75"

Item Code	False Drawer Front Size		Door Size (x2)	
	W	H	W	H
VSBDR36 / VSBDL36	35.5"	6.75"	11.6875"	21.5"

Item Code	Top Drawer Opening		Bottom Drawer Opening	
	W	H	W	H
VSBDR36 / VSBDL36	9"	9.5"	9"	8.75"

Item Code	Side Drawer Size (x2)	
	W	H
VSBDR36 / VSBDL36	11.5"	10.5"

Double Vanity Sink Base



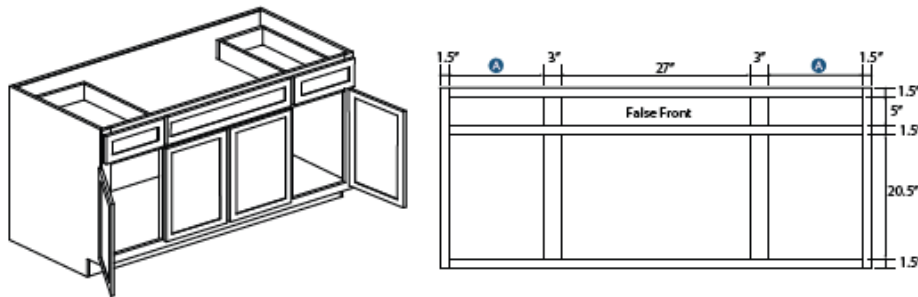
Item Code	Outer Dimensions			False Drawer Front Size (x2)	
	W	H	D	A	H
DVSB54	54"	34.5"	21"	20.5"	5.75"

Item Code	Top 3 Drawer Opening		Top 3 Drawer Front	
	W	H	W	H
DVSB54	9"	5"	11.5"	5.75"

Item Code	Bottom Drawer Opening		Bottom Drawer Front	
	W	H	W	H
DVSB54	9"	7.5"	11.5"	9.57"

Item Code	Door Opening (x2)		Door Size (x2)	
	A	H	W	H
DVSB54	18"	20.5"	20.5"	22.25"

Extended Vanity Sink Base



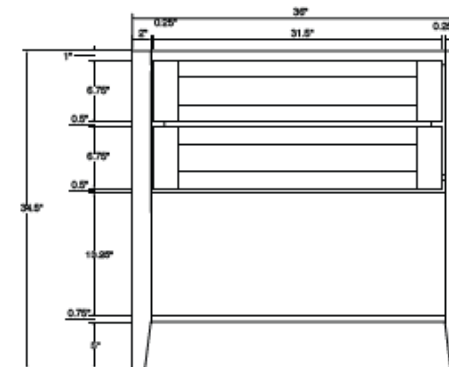
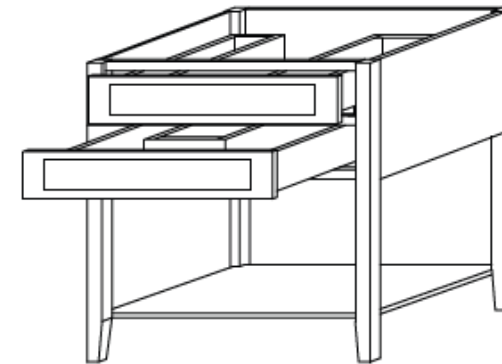
Item Code	Outer Dimensions			False Drawer Front Size	
	W	H	D	W	H
EVSB54	54"	34.5"	21"	29.5"	5.75"
EVSB60	60"	34.5"	21"	29.5"	5.75"

Item Code	Drawer Opening (x2)		Drawer Front (x2)	
	A	H	W	H
EVSB54	9"	5"	11.5"	5.75"
EVSB60	12"	5"	14.5"	5.75"

Item Code	Outer Door Opening (x2)		Outer Door Size (x2)	
	A	H	W	H
EVSB54	9"	20.5"	11.5"	22.25"
EVSB60	12"	20.5"	14.5"	22.25"

Item Code	Middle Door Opening		Middle Door Size (x2)	
	W	H	W	H
EVSB54	27"	20.5"	14.7"	22.25"
EVSB60	27"	20.5"	14.7"	22.25"

36" Open Shelf Vanity Sink Base



Item Code	Outer Dimensions			Top Opening		Top Drawer Size	
	W	H	D	W	B	W	H
VSBO36	36"	34.5"	21"	29"	5.75"	31.5"	6.75"

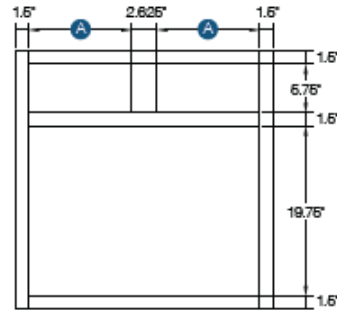
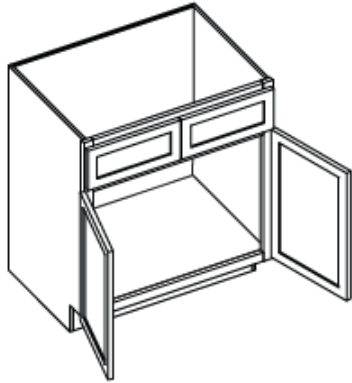
Both drawers U-shaped to accommodate plumbing
Adjustable foot included
Sides and back 3/4" plywood construction

Product Specs

Vanity Cabinets

Double Door Vanity

Premier Series



Item Code	Outer Dimensions			False Drawer Opening (x2)		Door Opening	
	W	H	D	A	H	W	H
V24-2*	24"	34.5"	21"	21"	5.75"	21"	19.75"
V27	27"	34.5"	21"	10.6875"	5.75"	24"	19.75"
V30	30"	34.5"	21"	12.1875"	5.75"	27"	19.75"
V33	33"	34.5"	21"	13.6875"	5.75"	30"	19.75"
V36	36"	34.5"	21"	15.1875"	5.75"	33"	19.75"

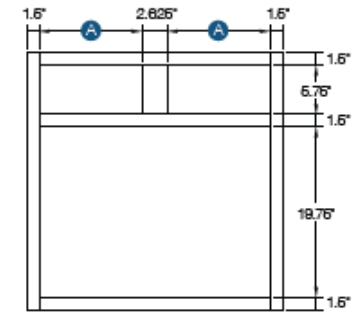
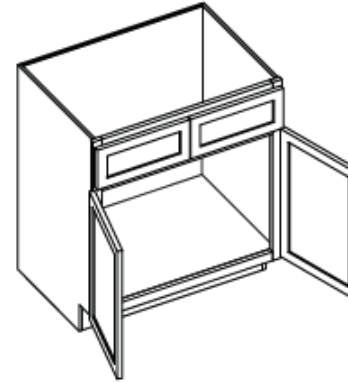
Item Code	False Drawer Front Size (x2)		Door Size (x2)	
	W	H	W	H
V24-2*	23.5"	6.75"	11.6875"	21.5"
V27	13.1875"	6.75"	13.1875"	21.5"
V30	14.6875"	6.75"	14.6875"	21.5"
V33	16.1875"	6.75"	16.1875"	21.5"
V36	17.6875"	6.75"	17.6875"	21.5"

*V24-2 has one false drawer and two doors. Drawer measurements provided are for single drawer.

Note: Napa White has a single drawer front on all sizes.

Double Door Vanity

Value Series

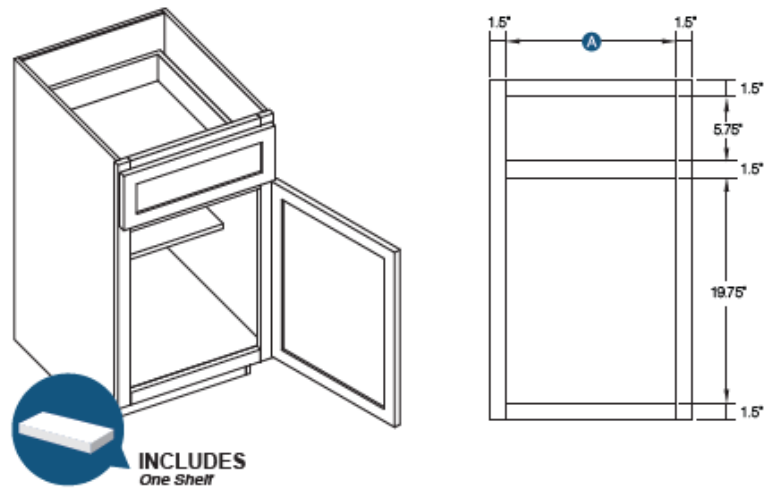


Item Code	Outer Dimensions			False Drawer Opening (x2)		Door Opening	
	W	H	D	A	H	W	H
V24-2*	24"	34.5"	21"	21"	5"	21"	20.5"
V27	27"	34.5"	21"	10.625"	5"	24"	20.5"
V30	30"	34.5"	21"	12.125"	5"	24"	20.5"
V33	33"	34.5"	21"	13.625"	5"	30"	20.5"
V36	36"	34.5"	21"	15.125"	5"	33"	20.5"

Item Code	False Drawer Front Size (x2)		Door Size (x2)	
	W	H	W	H
V24-2*	23.5"	5.75"	11.625"	22.25"
V27	13.125"	5.75"	13.125"	22.25"
V30	14.625"	5.75"	14.625"	22.25"
V33	16.125"	5.75"	16.125"	22.25"
V36	17.625"	5.75"	17.625"	22.25"

*V24-2 has one false drawer and two doors. Drawer measurements provided are for single drawer.

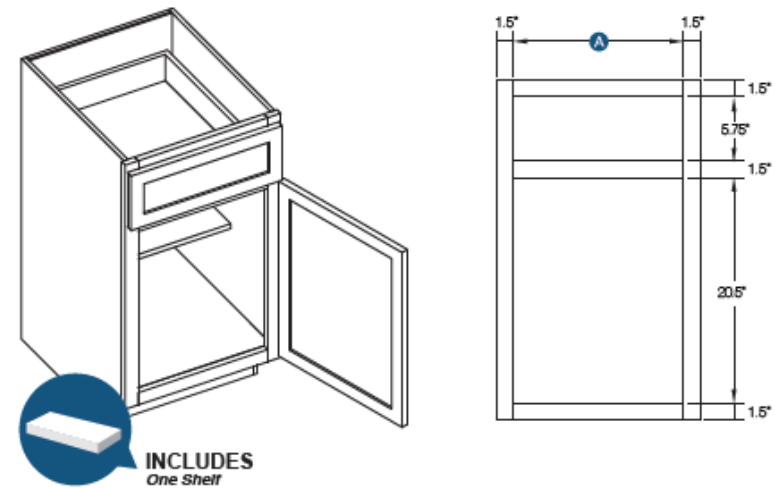
Single Door Vanity Base Premier Series



Item Code	Outer Dimensions			Drawer Opening		Door Opening	
	W	H	D	A	H	A	H
VB12	12"	34.5"	21"	9"	5.75"	9"	19.75"
VB15	15"	34.5"	21"	12"	5.75"	12"	19.75"
VB18	18"	34.5"	21"	15"	5.75"	15"	19.75"

Item Code	Drawer Front Size		Door Size	
	W	H	W	H
VB12	11.5"	6.75"	11.5"	21.5"
VB15	14.5"	6.75"	14.5"	21.5"
VB18	17.5"	6.75"	17.5"	21.5"

Single Door Vanity Base Value Series



Item Code	Drawer Opening		Door Opening	
	A	H	A	H
VB15	12"	5"	12"	20.5"
VB18	15"	5"	15"	20.5"

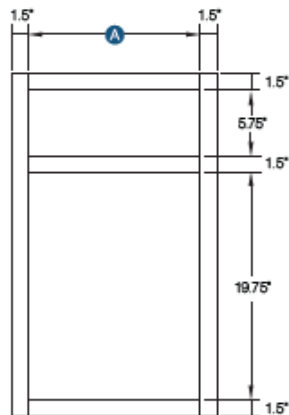
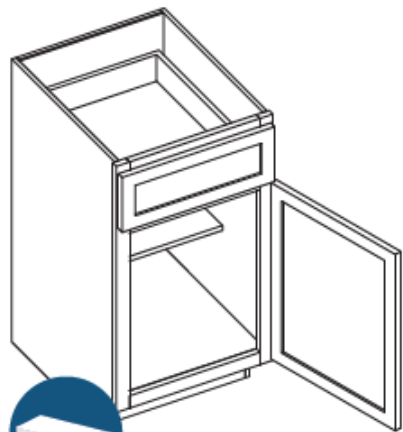
Item Code	Drawer Front Size		Door Size	
	W	H	W	H
VB15	14.5"	5.75"	14.5"	22.25"
VB18	17.5"	5.75"	17.5"	22.25"

Product Specs

Vanity Cabinets

Single Door Vanity Base

Premier and Select Series

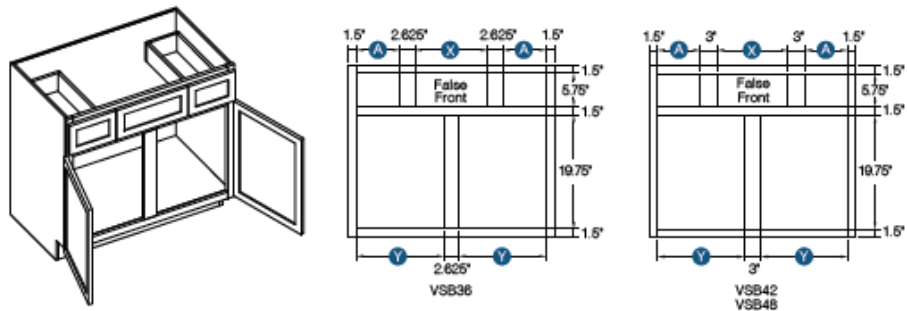


INCLUDES
One Shelf

Item Code	Outer Dimensions			Drawer Opening		Door Opening	
	W	H	D	A	H	A	H
VB12	12"	34.5"	21"	9"	5.75"	9"	19.75"
VB15	15"	34.5"	21"	12"	5.75"	12"	19.75"
VB18	18"	34.5"	21"	15"	5.75"	15"	19.75"

Item Code	Drawer Front Size		Door Size	
	W	H	W	H
VB12	11.5"	6.75"	11.5"	21.5"
VB15	14.5"	6.75"	14.5"	21.5"
VB18	17.5"	6.75"	17.5"	21.5"

Vanity Sink Base Premier Series

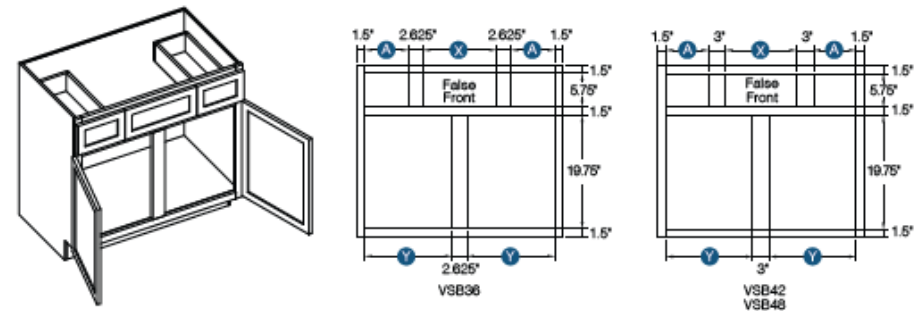


Item Code	Outer Dimensions		
	W	H	D
VSB36	36"	34.5"	21"
VSB42	42"	34.5"	21"
VSB48	48"	34.5"	21"

Item Code	Drawer Opening (x2)		False Drawer Opening		Door Opening (x2)	
	A	H	X	H	Y	H
VSB36	7.5"	5.75"	12.75"	5.75"	15.1875"	19.75"
VSB42	9.25"	5.75"	14.5"	5.75"	18"	19.75"
VSB48	9.25"	5.75"	20.5"	5.75"	21"	19.75"

Item Code	Drawer Front Size		False Drawer Front Size		Door Size	
	W	H	W	H	W	H
VSB36	10"	6.75"	15.25"	6.75"	17.6875"	21.5"
VSB42	11.75"	6.75"	17"	6.75"	20.5"	21.5"
VSB48	11.75"	6.75"	23"	6.75"	23.5"	21.5"

Vanity Sink Base Value Series



Item Code	Outer Dimensions		
	W	H	D
VSB36	36"	34.5"	21"
VSB42	42"	34.5"	21"
VSB48	48"	34.5"	21"

Item Code	Drawer Opening (x2)		False Drawer Opening		Door Opening (x2)	
	A	H	X	H	Y	H
VSB36	7.5"	5"	12.75"	5"	15"	20.5"
VSB42	9.25"	5"	14.5"	5"	18"	20.5"
VSB48	9.25"	5"	20.5"	5"	21"	20.5"

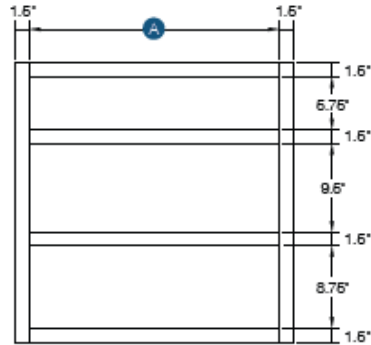
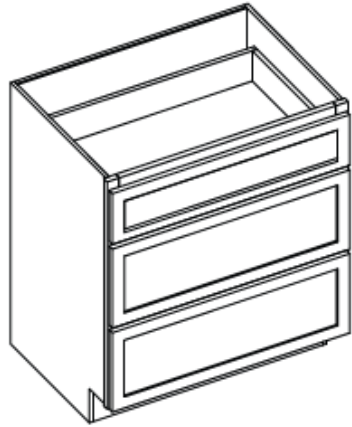
Item Code	Drawer Front Size		False Drawer Front Size		Door Size	
	W	H	W	H	W	H
VSB36	10"	5.75"	15.25"	5.75"	17"	22.25"
VSB42	11.75"	5.75"	17.8"	5.75"	20.7"	22.25"
VSB48	11.75"	5.75"	23.85"	5.75"	20.7"	22.25"

Product Specs

Vanity Cabinets

Vanity Drawer Base

Premier Series



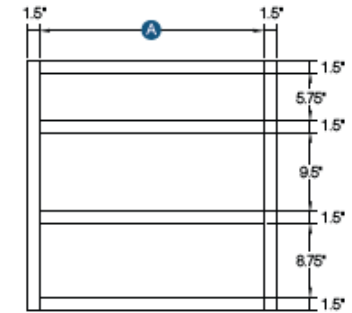
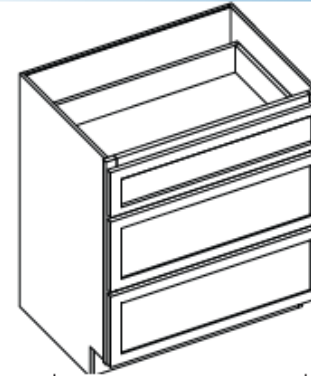
Item Code	Outer Dimensions			Top Opening		Top Drawer Front Size	
	W	H	D	A	H	W	H
VDB12	12"	34.5"	21"	9"	5.75"	11.5"	6.75"
VDB15	15"	34.5"	21"	12"	5.75"	14.5"	6.75"
VDB18	18"	34.5"	21"	15"	5.75"	17.5"	6.75"

Item Code	Middle Opening		Middle Drawer Front Size	
	A	H	W	H
VDB12	9"	9.5"	11.5"	10.5"
VDB15	12"	9.5"	14.5"	10.5"
VDB18	15"	9.5"	17.5"	10.5"

Item Code	Bottom Opening		Bottom Drawer Front Size	
	A	H	W	H
VDB12	9"	9.5"	11.5"	10.5"
VDB15	12"	9.5"	14.5"	10.5"
VDB18	15"	9.5"	17.5"	10.5"

Vanity Drawer Base

Value Series

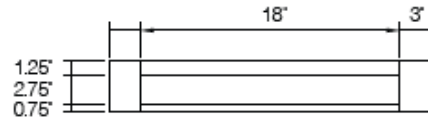
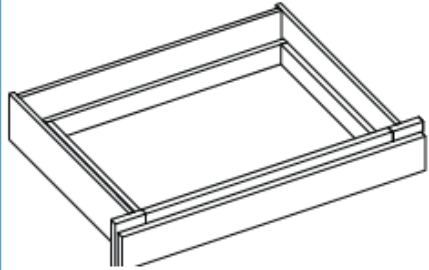


Item Code	Outer Dimensions			Top Opening		Top Drawer Front Size	
	W	H	D	A	H	W	H
VDB12	12"	34.5"	21"	9"	4.875"	11.5"	5.875"
VDB15	15"	34.5"	21"	12"	4.875"	14.5"	5.875"
VDB18	18"	34.5"	21"	15"	4.875"	17.5"	5.875"
VDB21	21"	34.5"	21"	18"	4.875"	20.5"	5.875"
VDB24	24"	34.5"	21"	21"	4.875"	23.5"	5.875"

Item Code	Middle Opening		Middle Drawer Front Size	
	A	H	W	H
VDB12	9"	9.875"	11.5"	10.8125"
VDB15	12"	9.875"	14.5"	10.8125"
VDB18	15"	9.875"	17.5"	10.8125"
VDB21	18"	9.875"	20.5"	10.8125"
VDB24	21"	9.875"	23.5"	10.8125"

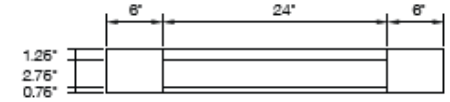
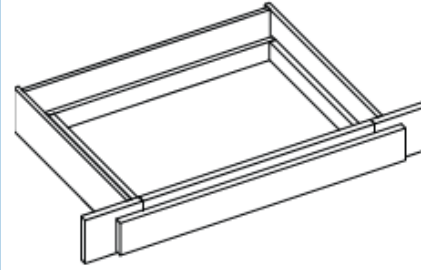
Item Code	Bottom Opening		Bottom Drawer Front Size	
	A	H	W	H
VDB12	9"	9.125"	11.5"	10.825"
VDB15	12"	9.125"	14.5"	10.825"
VDB18	15"	9.125"	17.5"	10.825"
VDB21	18"	9.125"	20.5"	10.825"
VDB24	21"	9.125"	23.5"	10.825"

Vanity Drawer



Item Code	Outer Dimensions			Opening Size		Drawer Size	
	W	H	D	W	B	W	H
KD24	24"	4.75"	21"	18"	2.75"	23.5"	3.5"

Vanity Drawer



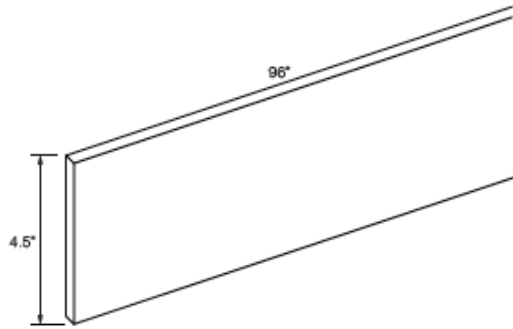
Item Code	Outer Dimensions			Opening Size		Drawer Size	
	W	H	D	W	B	W	H
KD36	36"	4.75"	21"	24"	2.75"	29.5"	3.5"

Wings on KD36 can be trimmed down to fit a 30" opening

Product Specs

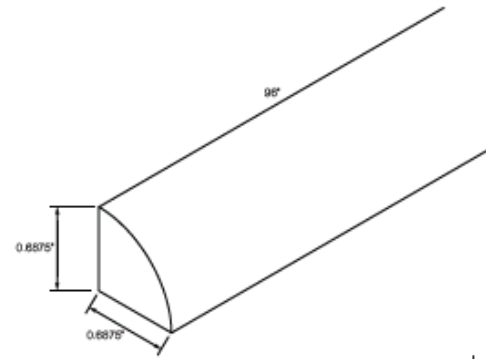
Moldings & Trim

Toe Kick



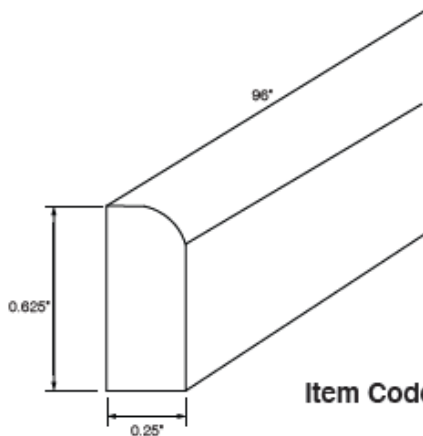
Item Code	Outer Dimensions		
	W	H	D
TKS8	96"	4.5"	0.25"

Shoe Molding



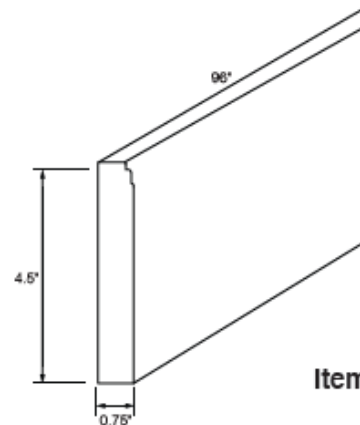
Item Code	Outer Dimensions		
	W	H	D
SHOE	96"	0.6875"	0.6875"

Scribe



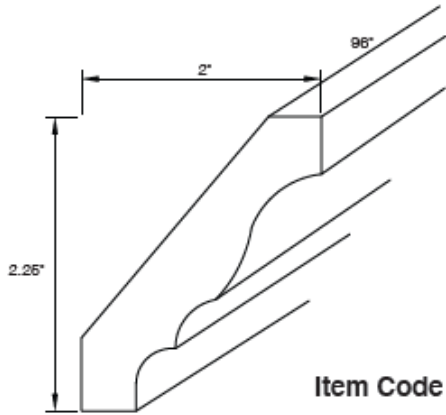
Item Code	Outer Dimensions		
	W	H	D
SCRIBE	96"	0.625"	0.25"

Furniture Base Molding



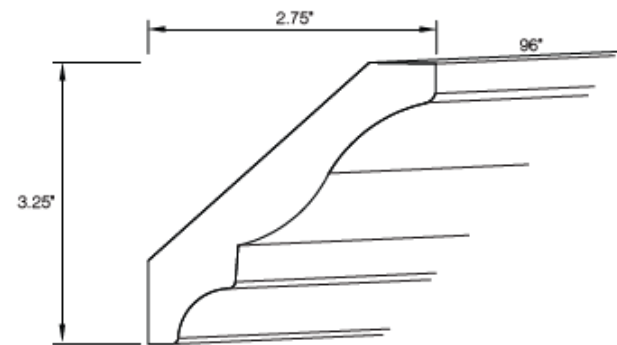
Item Code	Outer Dimensions		
	W	H	D
FBM8	96"	4.5"	0.75"

Traditional Crown Molding



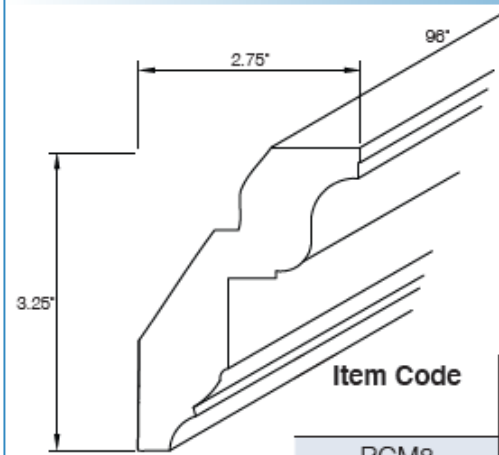
Item Code	Outer Dimensions		
	W	H	D
CM8	96"	2.25"	2"

Large Crown Molding



Item Code	Outer Dimensions		
	W	H	D
BCM8	96"	3.25"	2.75"

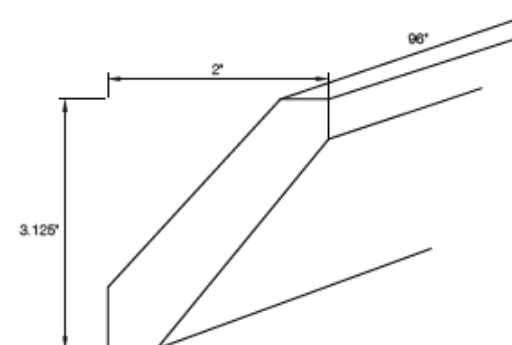
Royal Crown Molding



Item Code	Outer Dimensions		
	W	H	D
RCM8	96"	3.25"	2.75"

Rope and dentil molding can be used as inserts for royal crown molding

Shaker Crown Molding

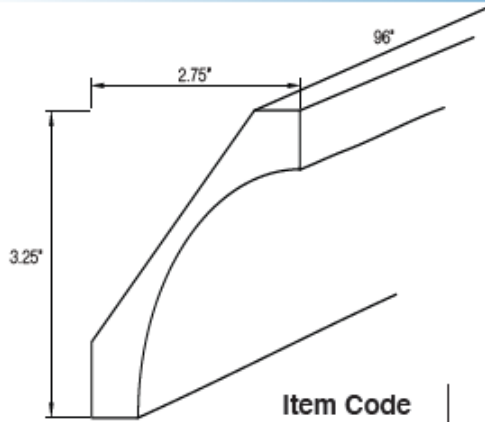


Item Code	Outer Dimensions		
	W	H	D
SCM8	96"	3.125"	2"

Product Specs

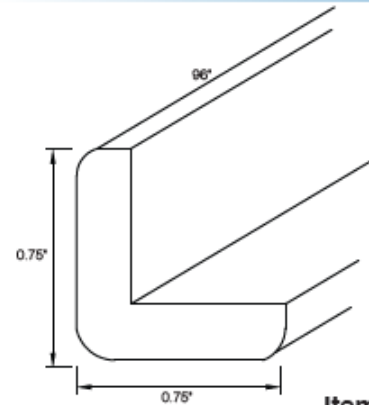
Moldings & Trim

Cove Crown Molding



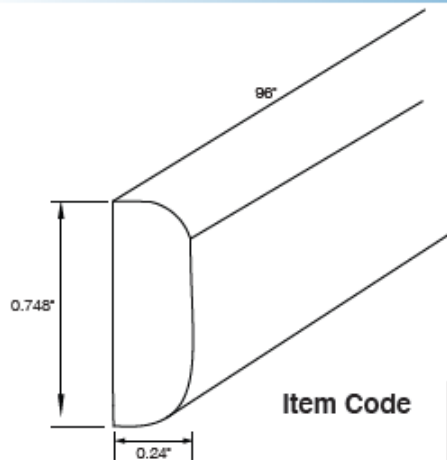
Item Code	Outer Dimensions		
	W	H	D
COM8	96"	3.25"	2.75"

Outside Corner Molding



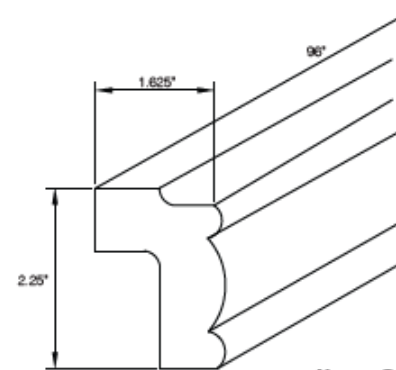
Item Code	Outer Dimensions		
	W	H	D
OCM8	96"	0.75"	0.75"

Batton Molding



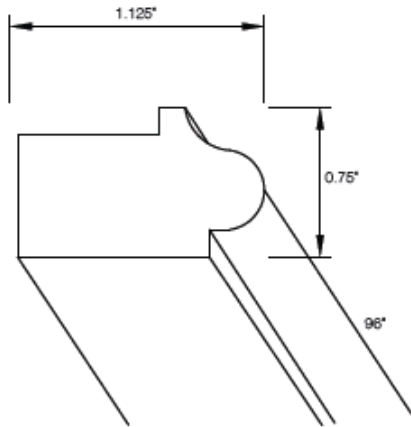
Item Code	Outer Dimensions		
	W	H	D
BAM8	96"	0.748"	0.24"

Traditional Light Rail Molding



Item Code	Outer Dimensions		
	W	H	D
LRM8	96"	2.25"	1.625"

Bottom Edge Molding

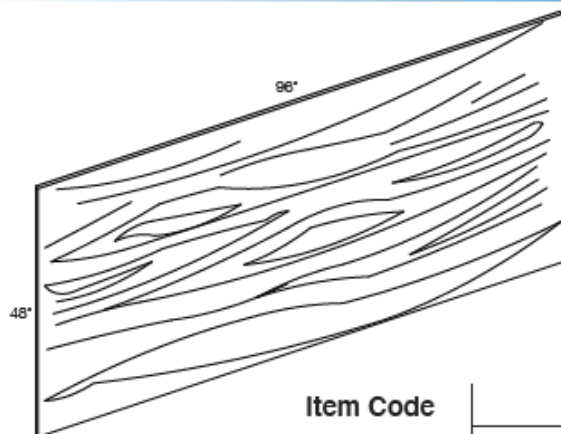


Item Code	Outer Dimensions		
	W	H	D
BEM8	96"	0.75"	1.125"

Product Specs

Fillers & Panels

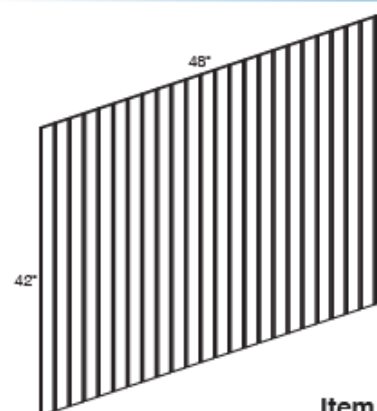
Back Panel - Long Grain



Item Code	Outer Dimensions		
	W	H	D
BPLG4896	96"	48"	0.25"

Finished on one side

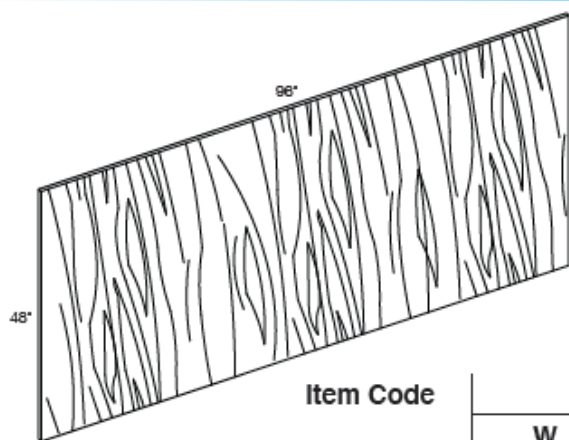
Bead Board



Item Code	Outer Dimensions		
	W	H	D
BBP4842	48"	42"	0.25"

Finished on one side

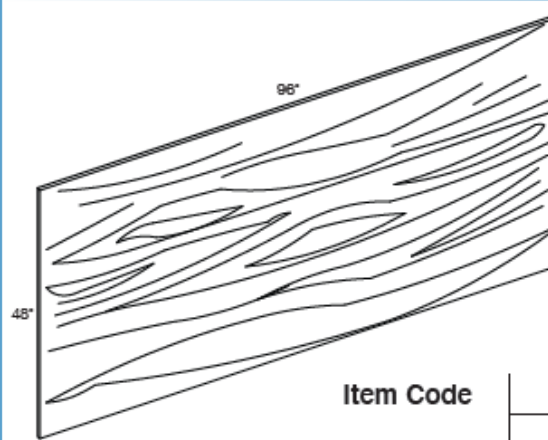
Back Panel - Short Grain



Item Code	Outer Dimensions		
	W	H	D
BPSG9648	96"	48"	0.25"

Finished on one side

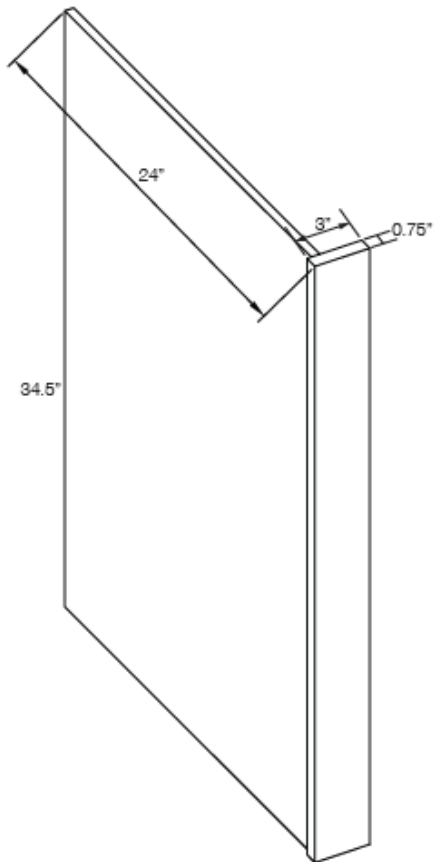
1/2" Thick Finished Plywood Filler



Item Code	Outer Dimensions		
	W	H	D
PSP4896	96"	48"	0.5"

Finished on one side and clear coat on the other side

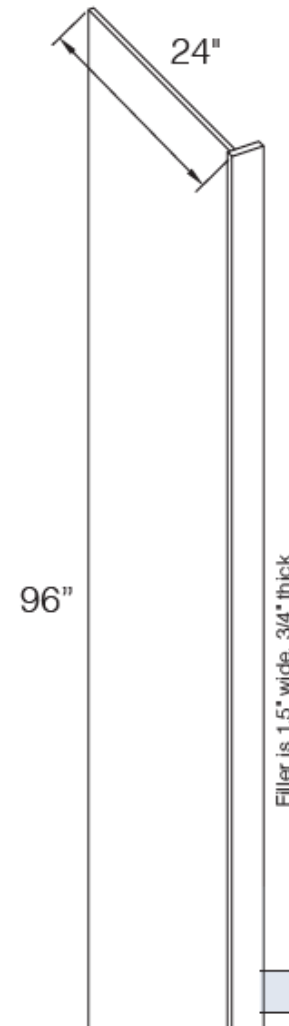
Dishwasher End Panel



Item Code	Outer Dimensions		
	W	H	D
DWR3	3"	34.5"	24"

Filler is trimmable down to 1".
Premier and Select Series finished on one side
Value Series finished on both sides

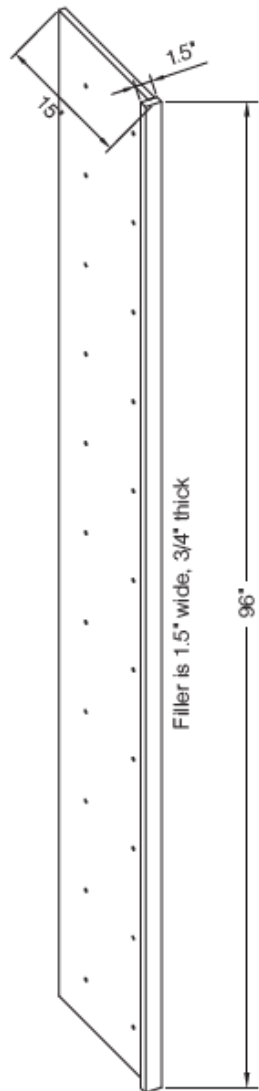
Tall End Panel (Refrigerator Panel)



Item Code	Outer Dimensions		
	W	H	D
TEP2496	1.5"	96"	30"

Premier and Select Series finished on one side
Value Series finished on both sides

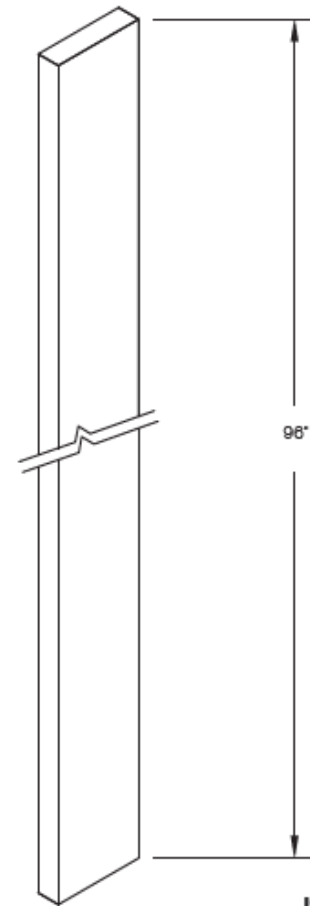
Bookcase End



Item Code	Outer Dimensions		
	W	H	D
BCE1596	1.5"	96"	15"

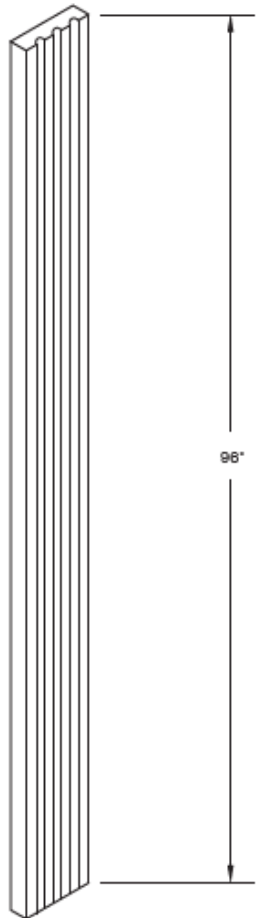
Does not include shelf or shelf clips.

Filler



Item Code	Outer Dimensions		
	A	H	D
F396	3"	96"	0.75"
F696	6"	96"	0.75"

Fluted Filler



96"

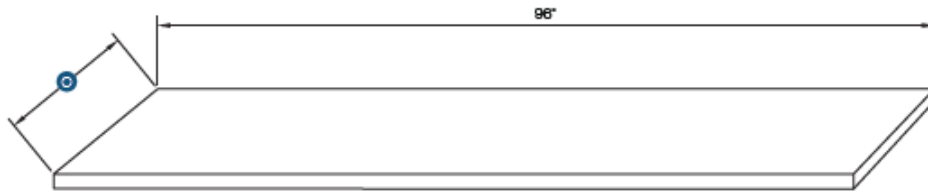
Item Code	Outer Dimensions		
	W	H	D
FF396	3"	96"	0.75"

Overlay Filler



Item Code	Size		
	W	H	D
OLF330	2.5"	28.75"	0.75"
OLF336	2.5"	34.75"	0.75"
OLF342	2.5"	40.75"	0.75"
OLF384	2.5"	82.75"	0.75"
OLF390	2.5"	88.75"	0.75"
OLF396	2.5"	94.75"	0.75"
OLF630*	5.5"	28.75"	0.75"

Shelf

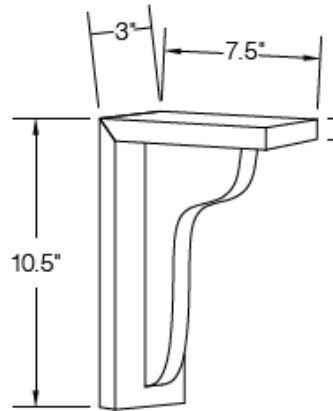


Item Code	Outer Dimensions		
	W	H	C
SHELF1296	96"	0.625"	12"
SHELF2496	96"	0.625"	24"

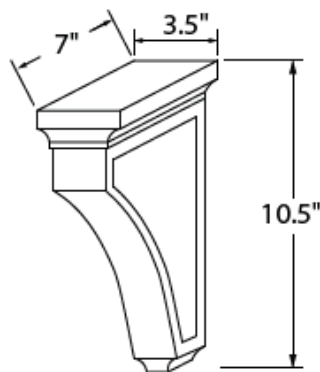
Shelf1296 available in Natural, Premier colors and Value colors.

Shelf2496 available in Natural only.

Corbels

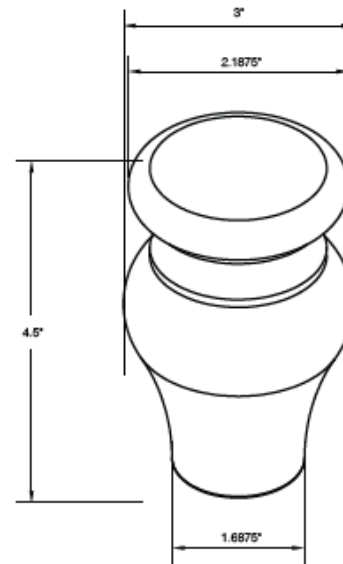


Item Code	Outer Dimensions		
	W	H	D
CORSM	3"	10.5"	7.5"

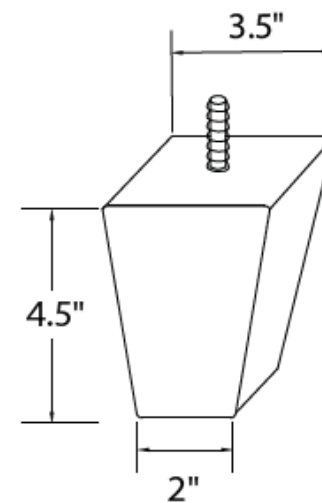


Item Code	Outer Dimensions		
	W	H	D
CORT	3.5"	10.5"	7"

Bunfeet

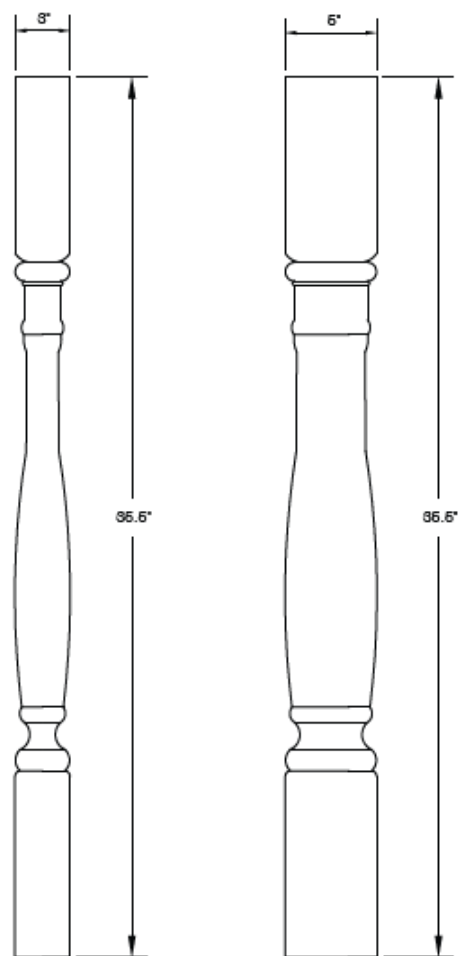


Item Code	Outer Dimensions		
	W	H	D
TBUNFOOT	3"	4.5"	3"



Item Code	Outer Dimensions		
	W	Top	Bottom
TBUNFOOT2	4.5"	3.5"	2"

Turned Post



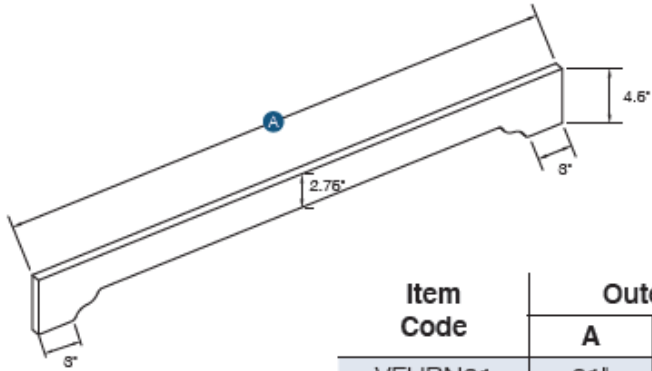
Item Code	Outer Dimensions		
	W	H	D
TPOSTP3	3"	35.5"	3"
TPOSTP5	5"	35.5"	5"

Top and bottom can be trimmed.

Product Specs

Decorative Accessories

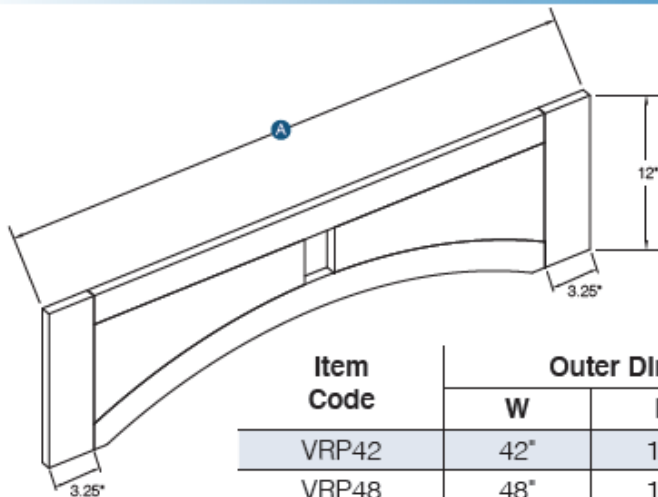
Furniture Valance



Item Code	Outer Dimensions		
	A	H	D
VFURN31	31"	4.5"	0.75"
VFURN37	37"	4.5"	0.75"
VFURN43	43"	4.5"	0.75"

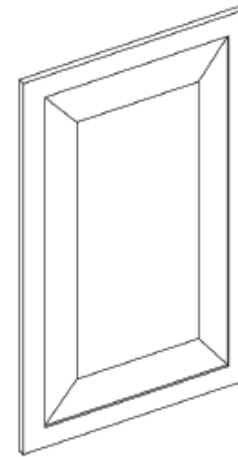
Can be trimmed up to 3" off each side.

Raised Panel Valance



Item Code	Outer Dimensions		
	W	H	D
VRP42	42"	12"	0.75"
VRP48	48"	12"	0.75"

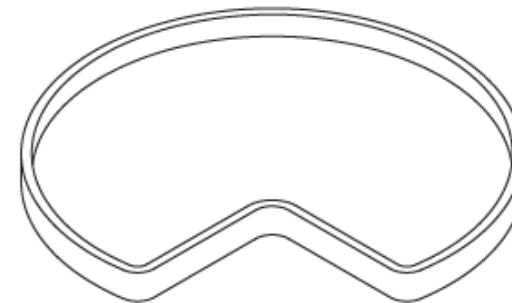
Decorative Base/Wall Panel



Item Code	Door Size		
	W	H	D
DWP1215	11.5"	13.75"	0.75"
DWP2415	23.5"	13.75"	0.75"
DWP1230	11.5"	28.75"	0.75"
DWP2430	23.5"	28.75"	0.75"
DWP1236	11.5"	34.75"	0.75"
DWP1242	11.5"	40.75"	0.75"

Panel matches door profile.

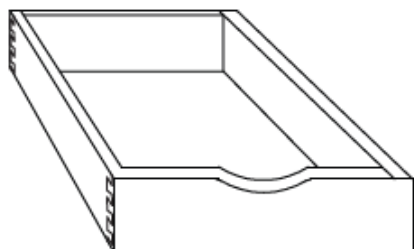
Lazy Susan Kit



Item Code	Outer Dimensions		
	W	H	D
LSK	29"	1.5"	29"

Designed to fit ER33 or ER36.
Two trays per set.

Roll Out Tray



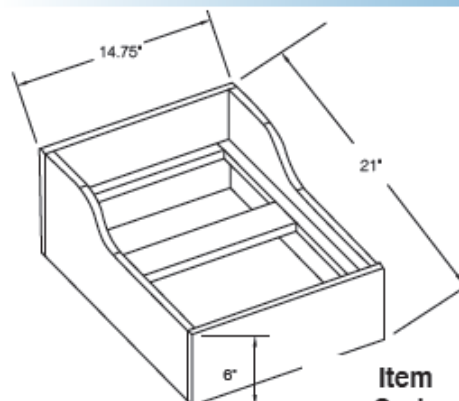
Item Code	Size		
	W	H	D
ROT15-SC	11.125"	4"	21"
ROT18-SC	14.125"	4"	21"
ROT21-SC	17.125"	4"	21"
ROT24-SC	20.125"	4"	21"
ROT27-SC	23.125"	4"	21"
ROT30-SC	26.125"	4"	21"
ROT33-SC	29.125"	4"	21"
ROT36-SC	32.125"	4"	21"

Includes two trays & four tracks

Roll Out Tray Usage Guide

Item Code	Designed to Fit
ROT15-SC	B15
ROT18-SC	B18, P1884, P1890, P1896
ROT21-SC	B21
ROT24-SC	B24, P2484, P2490, P2496
ROT27-SC	B27
ROT30-SC	B30, SB30, P3084, P3090, P3096
ROT33-SC	B33, SB33
ROT36-SC	B36, SB36

Trash Can Insert for B18



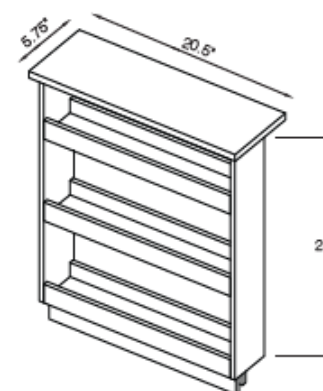
Item Code	Outer Dimensions		
	W	H	D
TCCK*	14.75"	6"	21"

*Includes two 35 QT cans

*Dovetail, solid wood construction

*Undermount, full extension, soft close slides

Spice Rack Insert



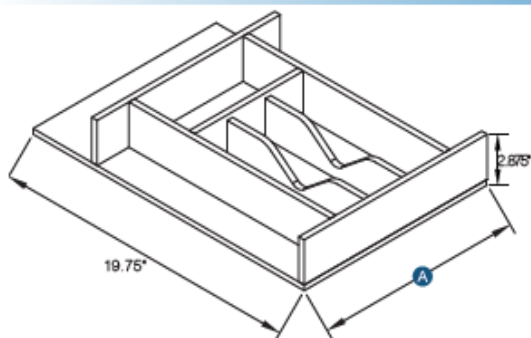
Item Code	Outer Dimensions		
	W	H	D
SR19	5.75"	24"	20.5"

Slides included, designed to fit B09, measurements include slides

Product Specs

Attachments & Inserts

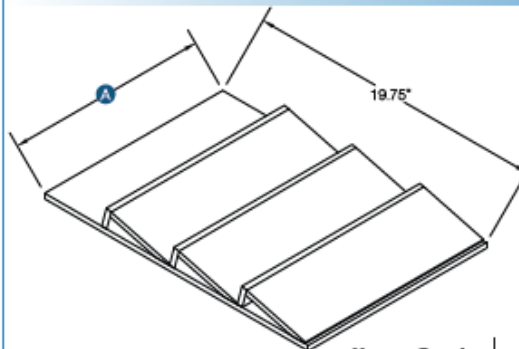
Cutlery Drawer Insert



Item Code	Size		
	A	H	D
CDI14	13.375"	2.875"	19.75"
CDI20	19.75"	2.875"	19.75"

CDI14 designed to fit B18 drawer. Can be trimmed to fit B15
 CDI20 designed to fit B24 drawer. Can be trimmed to fit B21

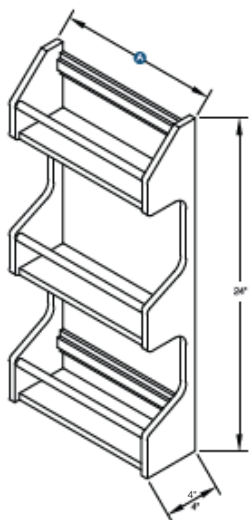
Spice Rack Tray Insert



Item Code	Outer Dimensions		
	A	H	D
STI14	13.375"	1.09375"	19.75"
STI20	19.75"	1.09375"	19.75"

STI14 designed to fit B18 drawer. Can be trimmed to fit B15
 STI20 designed to fit B24 drawer. Can be trimmed to fit B21

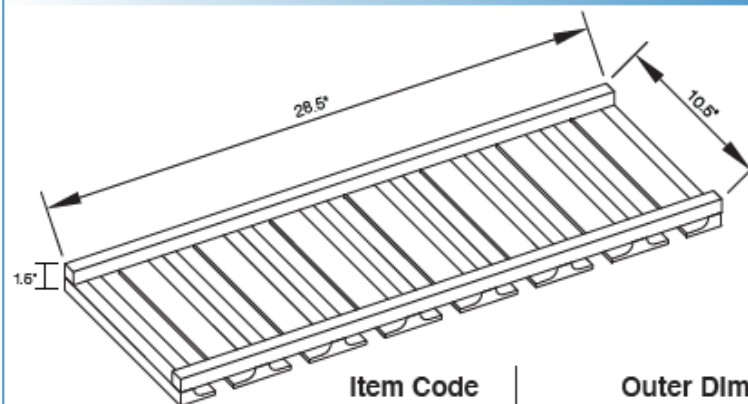
Spice Rack Door Attachment



Item Code	Size		
	A	H	D
SRD12	11.5"	24"	4"
SRD15	14.5"	24"	4"

SRD12 designed to attach to 14.5" door (e.g. W1530 or W3030)
 SRD15 designed to attach to 17.5" door (e.g. W1830 or W3630)

Stemware Rack



Item Code	Outer Dimensions		
	W	H	D
SWR3012	28.5"	1.5"	10.5"

Designed to fit under wine rack

Products by Cabinet Series

Item Code	Item Description	Shaker Sand	Shaker Designer White	Shaker Espresso	Lenox Country Linen	Lenox Canvas	Brooklyn Modern Gray	Brooklyn Bright White	Brooklyn Slate	Brooklyn Midnight	Napa White	Taylor White	Value
Premier													
Wall Cabinets													
W3012	Double Door Wall Cabinet - 30" W x 12" H	•	•	•	•	•	•	•	•	•	•	•	•
W3312	Double Door Wall Cabinet - 33" W x 12" H	•	•	•	-	-	•	•	•	•	-	-	-
W3612	Double Door Wall Cabinet - 36" W x 12" H	•	•	•	•	•	•	•	•	•	•	•	•
CWS2415	15" Corner Wall Stacking Cabinets	•	•	•	-	-	•	•	•	•	•	-	-
CWS2715	15" Corner Wall Stacking Cabinets	•	•	•	-	-	•	•	•	•	•	-	-
W3015	Double Door Wall Cabinet - 30" W x 15" H	•	•	•	•	•	•	•	•	•	•	•	•
W3315	Double Door Wall Cabinet - 33" W x 15" H	•	•	•	-	-	•	•	•	•	•	•	•
W3615	Double Door Wall Cabinet - 36" W x 15" H	•	•	•	•	•	•	•	•	•	•	•	•
WS1215	15" Wall Stacking Cabinets with Glass	•	•	•	-	-	•	•	•	•	•	-	-
WS1515	15" Wall Stacking Cabinets with Glass	•	•	•	-	-	•	•	•	•	•	-	-
WS1815	15" Wall Stacking Cabinets with Glass	•	•	•	-	-	•	•	•	•	•	-	-
WS2115	15" Wall Stacking Cabinets with Glass	•	•	•	-	-	•	•	•	•	•	-	-
WS2415-2	15" Wall Stacking Cabinets with Glass	•	•	•	-	-	•	•	•	•	•	-	-
WS2715-2	15" Wall Stacking Cabinets with Glass	•	•	•	-	-	•	•	•	•	•	-	-
WS3015-2	15" Wall Stacking Cabinets with Glass	•	•	•	-	-	•	•	•	•	•	-	-
WS3315-2	15" Wall Stacking Cabinets with Glass	•	•	•	-	-	•	•	•	•	•	-	-
WS3615-2	15" Wall Stacking Cabinets with Glass	•	•	•	-	-	•	•	•	•	•	-	-
W3018	Double Door Wall Cabinet - 30" W x 18" H	•	•	•	•	•	•	•	•	•	•	•	•
W3318	Double Door Wall Cabinet - 33" W x 18" H	•	•	•	•	•	•	•	•	•	•	-	-
W3618	Double Door Wall Cabinet - 36" W x 18" H	•	•	•	•	•	•	•	•	•	•	•	•
W3021	Double Door Wall Cabinet - 30" W x 21" H	•	•	•	•	•	•	•	•	•	•	-	-
W3024	Double Door Wall Cabinet - 30" W x 24" H	•	•	•	•	•	•	•	•	•	•	•	•
W3324	Double Door Wall Cabinet - 33" W x 24" H	•	•	•	•	•	•	•	•	•	•	-	-
W3624	Double Door Wall Cabinet - 36" W x 24" H	•	•	•	•	•	•	•	•	•	•	•	•
W331824	Deep Wall Cabinet - 33" W x 18" H x 24" D	•	•	•	-	-	•	•	•	•	•	-	-
W361824	Deep Wall Cabinet - 36" W x 18" H x 24" D	•	•	•	•	•	•	•	•	•	•	•	•
W332424	Deep Wall Cabinet - 33" W x 24" H x 24" D	•	•	•	-	-	•	•	•	•	•	-	-
W362424	Deep Wall Cabinet - 36" W x 24" H x 24" D	•	•	•	•	•	•	•	•	•	•	•	•
W930	Single Door Wall Cabinet - 9" W x 30" H	•	•	•	•	•	•	•	•	•	•	•	•
W1230	Single Door Wall Cabinet - 12" W x 30" H	•	•	•	•	•	•	•	•	•	•	•	•
W1530	Single Door Wall Cabinet - 15" W x 30" H	•	•	•	•	•	•	•	•	•	•	•	•
W1830	Single Door Wall Cabinet - 18" W x 30" H	•	•	•	•	•	•	•	•	•	•	•	•
W2130	Single Door Wall Cabinet - 21" W x 30" H	•	•	•	•	•	•	•	•	•	•	•	•

Products by Cabinet Series

Item Code	Item Description	Shaker Sand	Shaker Designer White	Shaker Espresso	Lenox Country Linen	Lenox Canvas	Brooklyn Modern Gray	Brooklyn Bright White	Brooklyn Slate	Brooklyn Midnight	Napa White	Taylor White	Value
Premier													
Wall Cabinets													
W2430-2	Double Door Wall Cabinet - 24" W x 30" H	●	●	●	●	●	●	●	●	●	●	●	●
W2730	Double Door Wall Cabinet - 27" W x 30" H	●	●	●	●	●	●	●	●	●	●	●	●
W3030	Double Door Wall Cabinet - 30" W x 30" H	●	●	●	●	●	●	●	●	●	●	●	●
W3330	Double Door Wall Cabinet - 33" W x 30" H	●	●	●	●	●	●	●	●	●	●	●	●
W3630	Double Door Wall Cabinet - 36" W x 30" H	●	●	●	●	●	●	●	●	●	●	●	●
W3930	Double Door Wall Cabinet - 39" W x 30" H	●	●	●	●	●	●	●	●	●	●	●	-
W4230	Double Door Wall Cabinet - 42" W x 30" H	●	●	●	●	●	●	●	●	●	●	●	-
BW2430	Blind Wall Cabinet - 24" W x 30" H	●	●	●	●	●	●	●	●	●	●	●	-
BW3030	Blind Wall Cabinet - 30" W x 30" H	●	●	●	●	●	●	●	●	●	●	●	●
BW3630	Blind Wall Cabinet - 36" W x 30" H	●	●	●	●	●	●	●	●	●	●	●	●
CW2430	Corner Wall Cabinet - 24" W x 30" H	●	●	●	●	●	●	●	●	●	●	●	●
W936	Single Door Wall Cabinet - 9" W x 36" H	●	●	●	●	●	●	●	●	●	●	●	●
W1236	Single Door Wall Cabinet - 12" W x 36" H	●	●	●	●	●	●	●	●	●	●	●	●
W1536	Single Door Wall Cabinet - 15" W x 36" H	●	●	●	●	●	●	●	●	●	●	●	●
W1836	Single Door Wall Cabinet - 18" W x 36" H	●	●	●	●	●	●	●	●	●	●	●	●
W2136	Single Door Wall Cabinet - 21" W x 36" H	●	●	●	●	●	●	●	●	●	●	●	●
W2436-2	Double Door Wall Cabinet - 24" W x 36" H	●	●	●	●	●	●	●	●	●	●	●	●
W2736	Double Door Wall Cabinet - 27" W x 36" H	●	●	●	●	●	●	●	●	●	●	●	●
W3036	Double Door Wall Cabinet - 30" W x 36" H	●	●	●	●	●	●	●	●	●	●	●	●
W3336	Double Door Wall Cabinet - 33" W x 36" H	●	●	●	●	●	●	●	●	●	●	●	●
W3636	Double Door Wall Cabinet - 36" W x 36" H	●	●	●	●	●	●	●	●	●	●	●	●
W3936	Double Door Wall Cabinet - 39" W x 36" H	●	●	●	●	●	●	●	●	●	●	●	-
W4236	Double Door Wall Cabinet - 42" W x 36" H	●	●	●	●	●	●	●	●	●	●	●	-
BW2436	Blind Wall Cabinet - 24" W x 36" H	●	●	●	●	●	●	●	●	●	●	●	-
BW3036	Blind Wall Cabinet - 30" W x 36" H	●	●	●	●	●	●	●	●	●	●	●	●
BW3636	Blind Wall Cabinet - 36" W x 36" H	●	●	●	●	●	●	●	●	●	●	●	●
CW2436	Corner Wall Cabinet - 24" W x 36" H	●	●	●	●	●	●	●	●	●	●	●	●
CW2736	Corner Wall Cabinet - 27" W x 36" H	●	●	●	●	●	●	●	●	●	●	●	●
W942	Single Door Wall Cabinet - 9" W x 42" H	●	●	●	●	●	●	●	●	●	●	●	●
W1242	Single Door Wall Cabinet - 12" W x 42" H	●	●	●	●	●	●	●	●	●	●	●	●
W1542	Single Door Wall Cabinet - 15" W x 42" H	●	●	●	●	●	●	●	●	●	●	●	●
W1842	Single Door Wall Cabinet - 18" W x 42" H	●	●	●	●	●	●	●	●	●	●	●	●
W2142	Single Door Wall Cabinet - 21" W x 42" H	●	●	●	●	●	●	●	●	●	●	●	●

Products by Cabinet Series

Item Code	Item Description	Shaker Sand	Shaker Designer White	Shaker Espresso	Lenox Country Linen	Lenox Canvas	Brooklyn Modern Gray	Brooklyn Bright White	Brooklyn Slate	Brooklyn Midnight	Napa White	Taylor White
		Premier										
Wall Cabinets												
W2442-2	Double Door Wall Cabinet - 24" W x 42" H	●	●	●	●	●	●	●	●	●	●	●
W2742	Double Door Wall Cabinet - 27" W x 42" H	●	●	●	●	●	●	●	●	●	●	●
W3042	Double Door Wall Cabinet - 30" W x 42" H	●	●	●	●	●	●	●	●	●	●	●
W3342	Double Door Wall Cabinet - 33" W x 42" H	●	●	●	●	●	●	●	●	●	●	●
W3642	Double Door Wall Cabinet - 36" W x 42" H	●	●	●	●	●	●	●	●	●	●	●
W3942	Double Door Wall Cabinet - 39" W x 42" H	●	●	●	●	●	●	●	●	●	●	-
W4242	Double Door Wall Cabinet - 42" W x 42" H	●	●	●	●	●	●	●	●	●	●	-
BW3042	Blind Wall Cabinet - 30" W x 42" H	●	●	●	●	●	●	●	●	●	●	●
BW3642	Blind Wall Cabinet - 36" W x 42" H	●	●	●	●	●	●	●	●	●	●	●
CW2442	Corner Wall Cabinet - 24" W x 42" H	●	●	●	●	●	●	●	●	●	●	●
CW2742	Corner Wall Cabinet - 27" W x 42" H	●	●	●	●	●	●	●	●	●	●	●
DWR1548	Wall Twr w/ 3 Drws - 15" W x 48" H x 15" D	●	●+	●	●	●	●	●	●	●	●	-
DWR1554	Wall Twr w/ 3 Drws - 15" W x 54" H x 15" D	●	●+	●	●	●	●	●	●	●	●	-
DWR1560	Wall Twr w/ 3 Drws - 15" W x 60" H x 15" D	●	●+	●	●	●	●	●	●	●	●	-
MWC3018	Microwave Wall Cabinet - 30" W x 18" H x 12" D	●	●	●	●	●	●	●	●	●	●	-
WR3018	Wine Rack - 30" W x 18" H x 12" D	●	●	●	●	●	●	●	●	●	●	●
W2442-2	Double Door Wall Cabinet - 24" W x 42" H	●	●	●	●	●	●	●	●	●	●	●
W2742	Double Door Wall Cabinet - 27" W x 42" H	●	●	●	●	●	●	●	●	●	●	●
W3042	Double Door Wall Cabinet - 30" W x 42" H	●	●	●	●	●	●	●	●	●	●	●
W3342	Double Door Wall Cabinet - 33" W x 42" H	●	●	●	●	●	●	●	●	●	●	●
W3642	Double Door Wall Cabinet - 36" W x 42" H	●	●	●	●	●	●	●	●	●	●	●
W3942	Double Door Wall Cabinet - 39" W x 42" H	●	●	●	●	●	●	●	●	●	●	-
W4242	Double Door Wall Cabinet - 42" W x 42" H	●	●	●	●	●	●	●	●	●	●	-
BW3042	Blind Wall Cabinet - 30" W x 42" H	●	●	●	●	●	●	●	●	●	●	●
BW3642	Blind Wall Cabinet - 36" W x 42" H	●	●	●	●	●	●	●	●	●	●	●
CW2442	Corner Wall Cabinet - 24" W x 42" H	●	●	●	●	●	●	●	●	●	●	●
CW2742	Corner Wall Cabinet - 27" W x 42" H	●	●	●	●	●	●	●	●	●	●	●
DWR1548	Wall Twr w/ 3 Drws - 15" W x 48" H x 15" D	●	●+	●	●	●	●	●	●	●	●	-
DWR1554	Wall Twr w/ 3 Drws - 15" W x 54" H x 15" D	●	●+	●	●	●	●	●	●	●	●	-
DWR1560	Wall Twr w/ 3 Drws - 15" W x 60" H x 15" D	●	●+	●	●	●	●	●	●	●	●	-
MWC3018	Microwave Wall Cabinet - 30" W x 18" H x 12" D	●	●	●	●	●	●	●	●	●	●	-
WR3018	Wine Rack - 30" W x 18" H x 12" D	●	●	●	●	●	●	●	●	●	●	●

*All Value Series drawers can be upgraded. Upgrade includes: Drawer Box: 5/8" Solid Wood, Dovetailed; Drawer Slides: Under Mount, Full Extension, Metal, Soft Close with Ball Bearings. All Drawer Upgrade SKUs are notated with 'DU' on the Order Form

*All Shaker Designer White drawers are available with either a slab drawer front or 5-Piece drawer front. All 5-Piece SKUs are notated with '5PC' on the Order Form

Products by Cabinet Series

Item Code	Item Description	Shaker Sand	Shaker Designer White	Shaker Espresso	Lenox Country Linen	Lenox Canvas	Brooklyn Modern Gray	Brooklyn Bright White	Brooklyn Slate	Brooklyn Midnight	Napa White	Taylor White
		Premier										
Base Cabinets												
B09	Single Door Full Height Base Cabinet - 9" W	●	●	●	●	●	●	●	●	●	●	●
B12	Single Door Standard Base Cabinet - 12" W	●	●*	●	●	●	●	●	●	●	●	●*
B15	Single Door Standard Base Cabinet - 15" W	●	●*	●	●	●	●	●	●	●	●	●*
B18	Single Door Standard Base Cabinet - 18" W	●	●*	●	●	●	●	●	●	●	●	●*
B21	Single Door Standard Base Cabinet - 21" W	●	●*	●	●	●	●	●	●	●	●	●*
B24-2	Double Door Standard Base Cabinet - 24" W	●	●*	●	●	●	●	●	●	●	●	●*
B27	Double Door Standard Base Cabinet - 27" W	●	●*	●	●	●	●	●	●	●	●	●*
B30	Double Door Standard Base Cabinet - 30" W	●	●*	●	●	●	●	●	●	●	●	●*
B33	Double Door Standard Base Cabinet - 33" W	●	●*	●	●	●	●	●	●	●	●	●*
B36	Double Door Standard Base Cabinet - 36" W	●	●*	●	●	●	●	●	●	●	●	●*
B39	Double Door Standard Base Cabinet - 39" W	●	●*	●	●	●	●	●	●	●	●	-
B42	Double Door Standard Base Cabinet - 42" W	●	●*	●	●	●	●	●	●	●	●	-
DB12-3	Drawer Base Cabinet - 12" W	●	●*	●	●	●	●	●	●	●	●	●*
DB15-3	Drawer Base Cabinet - 15" W	●	●*	●	●	●	●	●	●	●	●	●*
DB18-3	Drawer Base Cabinet - 18" W	●	●*	●	●	●	●	●	●	●	●	●*
DB21-3	Drawer Base Cabinet - 21" W	●	●*	●	●	●	●	●	●	●	●	●*
DB24-3	Drawer Base Cabinet - 24" W	●	●*	●	●	●	●	●	●	●	●	●*
DB27-3	Drawer Base Cabinet - 27" W	●	●*	●	-	-	●	●	●	●	-	-
DB30-3	Drawer Base Cabinet - 30" W	●	●*	●	●	●	●	●	●	●	●	●*
DB33-3	Drawer Base Cabinet - 33" W	●	●*	●	-	-	●	●	●	●	-	-
DB36-3	Drawer Base Cabinet - 36" W	●	●*	●	●	●	●	●	●	●	●	-
DB30-2	2 Drawer Base Cabinet - 30" W	●	●*	●	●	●	●	●	●	●	●	-
DB36-2	2 Drawer Base Cabinet - 36" W	●	●*	●	●	●	●	●	●	●	●	-
CC30	Cooking Center Base Cabinet - 30" W	●	●*	●	●	●	●	●	●	●	●	-
FSB36	Farm Sink Base Cabinet - 36" W	●	●*	●	●	●	●	●	●	●	●	-
TRB-1	Trash Can Base w/ Full Ht Door -18" W	●	●*	●	●	●	●	●	●	●	●	-
TRB-2	Trash Can Base w/ Full Ht Door -18" W	●	●*	●	●	●	●	●	●	●	●	-
SB30	Sink Base Cabinet - 30" W	●	●*	●	●	●	●	●	●	●	●	●
DB36-2	2 Drawer Base Cabinet - 36" W	●	●*	●	●	●	●	●	●	●	●	-
CC30	Cooking Center Base Cabinet - 30" W	●	●*	●	●	●	●	●	●	●	●	-
FSB36	Farm Sink Base Cabinet - 36" W	●	●*	●	●	●	●	●	●	●	●	-
TRB-1	Trash Can Base w/ Full Ht Door -18" W	●	●*	●	●	●	●	●	●	●	●	-
TRB-2	Trash Can Base w/ Full Ht Door -18" W	●	●*	●	●	●	●	●	●	●	●	-

*All Value Series drawers can be upgraded. Upgrade includes: Drawer Box: 5/8" Solid Wood, Dovetailed; Drawer Slides: Under Mount, Full Extension, Metal, Soft Close with Ball Bearings. All Drawer Upgrade SKUs are notated with 'DU' on the Order Form

All Shaker Designer White drawers are available with either a slab drawer front or 5-Piece drawer front. All 5-Piece SKUs are notated with '5PC' on the Order Form

Products by Cabinet Series

Item Code	Item Description	Shaker Sand	Shaker Designer White	Shaker Espresso	Lenox Country Linen	Lenox Canvas	Brooklyn Modern Gray	Brooklyn Bright White	Brooklyn Slate	Brooklyn Midnight	Napa White	Taylor White
Premier												Value
Base Cabinets												
DB36-2	2 Drawer Base Cabinet - 36" W	●	●*	●	●	●	●	●	●	●	●	-
CC30	Cooking Center Base Cabinet - 30" W	●	●*	●	●	●	●	●	●	●	●	-
FSB36	Farm Sink Base Cabinet - 36" W	●	●*	●	●	●	●	●	●	●	●	-
TRB-1	Trash Can Base w/ Full Ht Door -18" W	●	●*	●	●	●	●	●	●	●	●	-
TRB-2	Trash Can Base w/ Full Ht Door -18" W	●	●*	●	●	●	●	●	●	●	●	-
SB30	Sink Base Cabinet - 30" W	●	●*	●	●	●	●	●	●	●	●	●
SB33	Sink Base Cabinet - 33" W	●	●*	●	●	●	●	●	●	●	●	●
SB36	Sink Base Cabinet - 36" W	●	●*	●	●	●	●	●	●	●	●	●
SB42	Sink Base Cabinet w/ CS - 42" W	●	●*	●	●	●	●	●	●	●	●	●
SB48	Sink Base Cabinet w/ CS - 48" W	●	●*	●	●	●	●	●	●	●	●	-
CSF42	Corner Sink Front for 42" Space - 27" W	●	●*	●	●	●	●	●	●	●	●	●
CSF-FLOOR	Natural Corner Sink Front Floor 48" x 48"	●	●	●	●	●	●	●	●	●	●	●
BB36	Blind Base Cabinet for 36" to 39" Space - 30"W	●	●	●	●	●	●	●	●	●	●	●
BB42	Blind Base Cabinet for 42" to 45" Space - 36" W	●	●*	●	●	●	●	●	●	●	●	●*
BB48	Blind Base Cab for 48" to 51" Space - 48" W	●	●*	●	●	●	●	●	●	●	●	●*
ER33	Easy Reach Base Cabinet - 33" W x 33" D	●	●	●	●	●	●	●	●	●	●	-
ER36	Easy Reach Base Cabinet - 36" W x 36" D	●	●	●	●	●	●	●	●	●	●	●
DDB18	Desk Drawer Base - 18" W x 29.5" H x 24" D	●	●*	●	●	●	●	●	●	●	●	-
MBC30	Microwave Base Cabinet - 30" W	●	●*	●	●	●	●	●	●	●	●	-
Tall Cabinets												
P1884	Pantry - 18" W x 84" H	●	●	●	●	●	●	●	●	●	●	●
P1890	Pantry - 18" W x 90" H	●	●	●	●	●	●	●	●	●	●	●
P1896	Pantry - 18" W x 96" H	●	●	●	●	●	●	●	●	●	●	●
P2484	Pantry - 24" W x 84" H	●	●	●	●	●	●	●	●	●	●	-
P2490	Pantry - 24" W x 90" H	●	●	●	●	●	●	●	●	●	●	-
P2496	Pantry - 24" W x 96" H	●	●	●	●	●	●	●	●	●	●	-
P3090	Pantry - 30" W x 90" H	●	●	●	●	●	●	●	●	●	●	-
P3096	Pantry - 30" W x 96" H	●	●	●	●	●	●	●	●	●	●	-
OC3390	Oven Cabinet - 33" W x 90" H	●	●*	●	●	●	●	●	●	●	●	●*
OC3396	Oven Cabinet - 33" W x 96" H	●	●*	●	●	●	●	●	●	●	●	●*
OP3353	Oven Cabinet Overlay Panel - 33" W x 53" H	●	●	●	●	●	●	●	●	●	●	-
OCD337	Oven Cabinet Drawer	●	●*	●	●	●	●	●	●	●	●	●*

*All Value Series drawers can be upgraded. Upgrade includes: Drawer Box: 5/8" Solid Wood, Dovetailed; Drawer Slides: Under Mount, Full Extension, Metal, Soft Close with Ball Bearings. All Drawer Upgrade SKUs are notated with 'DU' on the Order Form

All Shaker Designer White drawers are available with either a slab drawer front or 5-Piece drawer front. All 5-Piece SKUs are notated with '5PC' on the Order Form

Products by Cabinet Series

Item Code	Item Description	Shaker Sand	Shaker Designer White	Shaker Espresso	Lenox Country Linen	Lenox Canvas	Brooklyn Modern Gray	Brooklyn Bright White	Brooklyn Slate	Brooklyn Midnight	Napa White	Taylor White	Value
		Premier											
Vanities													
V21	Single Door Vanity - 21" W	●	●*	●	-	-	●	●	●	●	-	-	
V24-2	Double Door Vanity - 24" W	●	●*	●	●	●	●	●	●	●	●	●	●
V27	Double Door Vanity - 27" W	●	●*	●	●	●	●	●	●	●	●	●	●
V30	Double Door Vanity - 30" W	●	●*	●	●	●	●	●	●	●	●	●	●
V33	Double Door Vanity - 33" W	●	●*	●	●	●	●	●	●	●	●	●	●
V36	Double Door Vanity - 36" W	●	●*	●	●	●	●	●	●	●	●	●	●
VB12	Single Door Base Vanity - 12" W	●	●*	●	●	●	●	●	●	●	●	●	-
VB15	Single Door Base Vanity - 15" W	●	●*	●	●	●	●	●	●	●	●	●	●*
VB18	Single Door Base Vanity - 18" W	●	●*	●	●	●	●	●	●	●	●	●	●*
VDB12	Vanity Drawer Base - 12" W	●*	●*	●	●	●	●	●	●	●	●	●	●*
VDB15	Vanity Drawer Base - 15" W	●*	●*	●	●	●	●	●	●	●	●	●	●*
VDB18	Vanity Drawer Base - 18" W	●*	●*	●	●	●	●	●	●	●	●	●	●*
VDB21	Vanity Drawer Base - 21" W	-	-	-	-	-	-	-	-	-	-	-	●*
VDB24	Vanity Drawer Base - 24" W	●*	●*	●	●	●	●	●	●	●	●	●	●*
VSB36	Vanity Sink Base - 36" W	●*	●*	●	●	●	●	●	●	●	●	●	●*
VSB42	Vanity Sink Base - 42" W	●*	●*	●	●	●	●	●	●	●	●	●	●*
VSB48	Vanity Sink Base - 48" W	●*	●*	●	●	●	●	●	●	●	●	●	●*
VSBDR30	Vanity Sink Drawer Base Right - 30" W	●*	●*	●	-	-	●	●	●	●	●	●	-
VSDL30	Vanity Sink Drawer Base Left - 30" W	●*	●*	●	-	-	●	●	●	●	●	●	-
VSBDR36	Vanity Sink Drawer Base Right - 36" W	●*	●*	●	●	●	●	●	●	●	●	●	-
VSDL36	Vanity Sink Drawer Base Left - 36" W	●*	●*	●	●	●	●	●	●	●	●	●	-
DVSB54	Double Vanity SB - 54"W	-	-	-	-	-	-	-	-	-	-	-	●*
EVSB54	Extended Vanity SB - 54" W	-	-	-	-	-	-	-	-	-	-	-	●*
EVSB60	Extended Vanity SB - 60" W	-	-	-	-	-	-	-	-	-	-	-	●*
KD24	Vanity Drawer - 24" W	●	●	●	●	●	●	●	●	●	●	●	-
KD36	Vanity Drawer - 36" W with Adjustable Sides	●	●	●	●	●	●	●	●	●	●	●	●*
VSBOS36	Open Shelf Vanity SB - 36W	●	●	●	-	-	●	●	●	●	●	●	-

*All Value Series drawers can be upgraded. Upgrade includes: Drawer Box: 5/8" Solid Wood, Dovetailed; Drawer Slides: Under Mount, Full Extension, Metal, Soft Close with Ball Bearings. All Drawer Upgrade SKUs are notated with 'DU' on the Order Form

* All Shaker Designer White drawers are available with either a slab drawer front or 5-Piece drawer front. All 5-Piece SKUs are notated with '5PC' on the Order Form

Products by Cabinet Series

Item Code	Item Description	Shaker Sand	Shaker Designer White	Shaker Espresso	Lenox Country Linen	Lenox Canvas	Brooklyn Modern Gray	Brooklyn Bright White	Brooklyn Slate	Brooklyn Midnight	Napa White	Taylor White
Premier												Value
Moldings and Trim												
TKS8	Toe Kick	●	●	●	●	●	●	●	●	●	●	●
SCRIBE	Scribe	●	●	●	●	●	●	●	●	●	●	●
SHOE	Shoe Molding	●	●	●	●	●	●	●	●	●	●	●
FBM8	Furniture Base Molding	●	●	●	●	●	●	●	●	●	●	●
CM8	Traditional Crown Molding	-	-	-	●	●	●	●	●	●	●	●
BCM8	Large Crown Molding	-	-	-	●	●	●	●	●	●	●	●
RCM8	Royal Crown Molding	●	●	●	●	●	●	●	●	●	●	-
SCM8	Shaker Crown Molding	●	●	●	-	-	-	-	-	-	-	-
COM8	Cove Crown Molding	●	●	●	●	●	●	●	●	●	●	●
BAM8	Batten Molding	●	●	●	●	●	●	●	●	●	●	●
OCM8	Outside Corner Molding	●	●	●	●	●	●	●	●	●	●	●
LRM8	Traditional Light Rail	●	●	●	●	●	●	●	●	●	●	●
BEM8	Bottom Edge Molding (Narrow Light Rail)	●	●	●	●	●	●	●	●	●	●	-
Fillers and Panels												
BPLG4896	Back Panel (Long Grain) - 48" W x 96" H	●	●	●	●	●	●	●	●	●	●	●
BPSG9648	Back Panel (Short Grain) - 96" W x 48" H	-	-	●	-	-	-	-	●	●	-	-
BBP4842	Bead Board - 48" W x 42" H x 0.25" D	●	●	●	●	●	●	●	●	●	●	●
PSP4896	1/2" Thick Finished Plywood Filler	●	●	●	●	●	●	●	●	●	●	-
DWR3	Dishwasher End Panel	●	●	●	●	●	●	●	●	●	●	●
TEP3096	Tall End Panel	●	●	●	●	●	●	●	●	●	●	●
BCE1596	Book Case End - 1.5" W x 96" H x 15" D	●	●	●	●	●	●	●	●	●	●	-
F396	Filler - 3" W x 96" H	●	●	●	●	●	●	●	●	●	●	●
F696	Filler - 6" W x 96" H	●	●	●	●	●	●	●	●	●	●	●
OLF330	Overlay Filler - 3" W x 30" H	●	●	●	●	●	●	●	●	●	●	-
OLF336	Overlay Filler - 3" W x 36" H	●	●	●	●	●	●	●	●	●	●	-
OLF342	Overlay Filler - 3" W x 42" H	●	●	●	●	●	●	●	●	●	●	-
OLF630	Overlay Filler - 6" W x 30" H	●	●	●	●	●	●	●	●	●	●	-
FF396	Fluted Filler - 3" W x 96" H	-	-	-	●	●	●	●	●	●	●	-

*All Value Series drawers can be upgraded. Upgrade includes: Drawer Box: 5/8" Solid Wood, Dovetailed; Drawer Slides: Under Mount, Full Extension, Metal, Soft Close with Ball Bearings. All Drawer Upgrade SKUs are notated with 'DU' on the Order Form

All Shaker Designer White drawers are available with either a slab drawer front or 5-Piece drawer front. All 5-Piece SKUs are notated with '5PC' on the Order Form

Products by Cabinet Series

Item Code	Item Description	Shaker Sand	Shaker Designer White	Shaker Espresso	Lenox Country Linen	Lenox Canvas	Brooklyn Modern Gray	Brooklyn Bright White	Brooklyn Slate	Brooklyn Midnight	Napa White	Taylor White
Premier												Value
Decorative Accessories												
CORSM	Basic Medium Corbel - 10.5" H	●	●	●	●	●	●	●	●	●	●	●
CORT	Transitional Corbel	●	●	●	●	●	●	●	●	●	●	-
TBUNFOOT	Traditional Bunfoot	●	●	●	●	●	●	●	●	●	●	-
TBUNFOOT2	Transitional Bunfoot	●	●	●	-	-	●	●	●	●	●	-
TPOSTP3	Turned Post - 3" W x 35.5" H	●	●	●	●	●	●	●	●	●	●	-
TPOSTP5	Turned Post - 5" W x 35.5" H	●	●	●	●	●	●	●	●	●	●	-
VFURN37	Furniture Valance - 37" W	●	●	●	●	●	●	●	●	●	●	-
VRP42	Raised Panel Valance - 42" W	-	-	-	●	●	●	●	●	●	●	-
VRP48	Raised Panel Valance - 48" W	-	-	-	●	●	●	●	●	●	●	-
DWP1215	Decorative Wall Panel - 12" W x 15" H	●	●	●	-	-	●	●	●	●	●	-
DWP1230	Decorative Wall Panel - 12" W x 30" H	●	●	●	●	●	●	●	●	●	●	-
DWP1236	Decorative Wall Panel - 12" W x 36" H	●	●	●	●	●	●	●	●	●	●	-
DWP1242	Decorative Wall Panel - 12" W x 42" H	●	●	●	●	●	●	●	●	●	●	-
DWP2415	Decorative Wall Panel - 24" W x 15" H	●	●	●	-	-	●	●	●	●	●	-
DWP2430	Decorative Wall Panel - 24" W x 30" H	●	●	●	●	●	●	●	●	●	●	-
Attachments and Inserts												
ROT15-SC	Natural Roll Out Tray for 15" Space (2/pkg)	●	●	●	●	●	●	●	●	●	●	●
ROT18-SC	Natural Roll Out Tray for 18" Space (2/pkg)	●	●	●	●	●	●	●	●	●	●	●
ROT21-SC	Natural Roll Out Tray for 21" Space (2/pkg)	●	●	●	●	●	●	●	●	●	●	●
ROT24-SC	Natural Roll Out Tray for 24" Space (2/pkg)	●	●	●	●	●	●	●	●	●	●	●
ROT27-SC	Natural Roll Out Tray for 27" Space (2/pkg)	●	●	●	●	●	●	●	●	●	●	●
ROT30-SC	Natural Roll Out Tray for 30" Space (2/pkg)	●	●	●	●	●	●	●	●	●	●	●
ROT33-SC	Natural Roll Out Tray for 33" Space (2/pkg)	●	●	●	●	●	●	●	●	●	●	●
ROT36-SC	Natural Roll Out Tray for 36" Space (2/pkg)	●	●	●	●	●	●	●	●	●	●	●
LSK	Natural Lazy Susan Kit (2/pkg)	●	●	●	●	●	●	●	●	●	●	●
TCKK	Trash Can Insert for B18 with 2 35 QT	●	●	●	●	●	●	●	●	●	●	●
SRI9	Natural Spice Rack Insert for B9 Drawer	●	●	●	●	●	●	●	●	●	●	●
CDI14	Natural Cutlery Drawer Insert for B15/B18	●	●	●	●	●	●	●	●	●	●	●
CDI20	Natural Cutlery Drawer Insert for B21/B24	●	●	●	●	●	●	●	●	●	●	●
SRD12	Natural Spice Rack Door Mount for 18" Door	●	●	●	●	●	●	●	●	●	●	●
SRD15	Natural Spice Rack Door Mount for 21" Door	●	●	●	●	●	●	●	●	●	●	●
STI14	Natural Spice Tray Drawer Insert for B15/B18	●	●	●	●	●	●	●	●	●	●	●
STI20	Natural Spice Tray Drawer Insert for B21/B24	●	●	●	●	●	●	●	●	●	●	●
SWR3012	Stemware Rack	●	●	●	●	●	●	●	●	●	●	-

Products by Cabinet Series

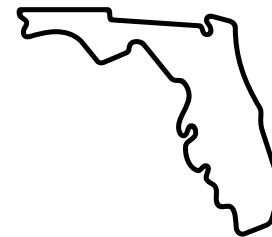
Item Code	Item Description	Shaker Sand	Shaker Designer White	Shaker Espresso	Lenox Country Linen	Lenox Canvas	Brooklyn Modern Gray	Brooklyn Bright White	Brooklyn Slate	Brooklyn Midnight	Napa White	Taylor White
Premier												Value
Miscellaneous Parts Accessories												
SHELF1296	Natural Shelf - 96" W x 12" D	•	•	•	•	•	•	•	•	•	•	•
SHELF1296	Painted/Stained Shelf - 96" W x 12" D	•	•	•	•	•	•	•	•	•	•	•
SHELF2496	Natural Shelf - 96" W x 24" D	•	•	•	•	•	•	•	•	•	•	•
GLZPEN	Glaze Pen	-	-	-	•	-	-	-	-	-	-	-
GLZBRUSH	Glaze Brush	-	-	-	•	-	-	-	-	-	-	-
SPRAYCAN	Aerosol Spray Can	•	•	•	•	•	•	•	•	•	•	•
TUKIT	Touch Up Kit	•	•	•	•	•	•	•	•	•	•	•
YN-PAB	Plastic Assembly Blocks (100/pkg)	•	•	•	•	•	•	•	•	•	•	•
YN-BRACKETS	Metal Assembly Bracket	•	•	•	•	•	•	•	•	•	•	•
YN-SOFT-	Soft Close Hinge	•	•	•	•	•	•	•	•	•	•	•
YN-ERHINGE-	Easy Reach Hinges (Set of 4)	•	•	•	•	•	•	•	•	•	•	•
YN-SOFT-	Soft Close Corner Wall Hinge	•	•	•	•	•	•	•	•	•	•	•
YN-Drawer	Drawer Slide-Kitchen Pair	•	•	•	•	•	•	•	•	•	•	•
YN-Drawer	Drawer Slide - Vanity Pair	•	•	•	•	•	•	•	•	•	•	•
YN-SHELF	Shelf Clip	•	•	•	•	•	•	•	•	•	•	•
Samples & Sales Tools and Inserts												
Sample	Sample Door Set - Includes 15"X15" Sample of Each	•	•	•	•	•	•	•	•	•	•	•
Sample B15	Sample B15 Door Front Set - Includes All B15 Fronts	•	•	•	•	•	•	•	•	•	•	•
SAMPLE BAG	Sample Bag Only	•	•	•	•	•	•	•	•	•	•	•
SAMPLE CART	Carrying Cart for Samples	•	•	•	•	•	•	•	•	•	•	•
SAMPLE	Sample Molding Set - Includes	•	•	•	•	•	•	•	•	•	•	•
SAMPLE	Sample Door - 15" W x 15" H	•	•	•	•	•	•	•	•	•	•	•
SAMPLEB15	B15 Sample Door, Drawer Front & Face Frame	•	•	•	•	•	•	•	•	•	•	•



getmecabinets.com

CLEARWATER

1002 Grove Street
Clearwater, FL 33755



727-316-5655

GETMECABINETS@GMAIL.COM