



VersiVision

FVTM800xA / FVRM800xA

8-CHANNEL DIGITALLY ENCODED VIDEO

MULTIPLEXER

USER'S MANUAL

Revision B

© April 2013

VERSITRON, Inc.

83 Albe Drive / Suite C

Newark, DE 19702

www.versitron.com

PROPRIETARY DATA

All data in this manual is proprietary and may not be disclosed, used or duplicated, for procurement or manufacturing purposes, without prior written permission by **VERSITRON**.

WARRANTY

All VERSITRON products purchased after January 2001 carry a limited lifetime warranty against defects in materials and workmanship for the lifetime of the product. Purchases made prior to January 2001 are warranted for a period of one year from date of delivery. VERSITRON reserves the right to repair or, at our option, replace parts which during normal usage prove to be defective during the warranty period provided that:

1. You call VERSITRON at (302) 894-0699 or (800) 537-2296 and obtain a (RMA) Return Authorization Number. Please reference your RMA number on the outside of the box in which the item is returned.
2. Shipping charges are pre-paid.

No other warranty is expressed or implied and we are not liable for consequential damages. For repairs outside of the warranty period, the same procedure must be followed.

Table of Contents

General Information	3
Introduction	3
Technical Specifications	3
Installation Instructions	6
Installation Procedure	6
Indicator LEDs	7
Troubleshooting	9

GENERAL INFORMATION

Introduction:

The VERSITRON *VersiVision* FVTM800xA and FVRM800xA Series video transmitter and receiver support simultaneous transmission of 8-channels of 8-bit digitally encoded video over one multi-mode or single-mode optical fiber. The units are universally compatible with major camera systems. Plug and Play design ensures ease of installation and electronic and optical adjustments are never required.

Model Number

Unit Type	Model Number
8-Channel Digitally Encoded Video	FVTM800xA
8-Channel Digitally Encoded Video	FVRM800xA

Technical Specifications:

VIDEO

Video Input	2.0 volt pk-pk (75 ohms)
Input/Output Channels	8
Bandwidth	5 Hz - 8 MHz
Bit Resolution	8-bit
Differential Gain	< 1%
Differential Phase	< 0.6°
Tilt	< 1%
S/N Ratio	60dB (Weighed)

WAVELENGTH	850/1310nm Multimode 1310/1550nm Singlemode
-------------------	------------------------------------------------

OPTICAL EMITTER:	Laser Diode
-------------------------	-------------

NUMBER OF FIBERS	1
-------------------------	---

CONNECTORS

Optical	ST
Video	BNC

Technical Specifications (cont.):

GENERAL

Power Supply	5VDC @ 2A
Size	5.98 x 5.12 x 1.95 Inches
Construction	Aluminum
MTBF	> 100,000 hours
Operating Temp	-35° C to + 65° C
Storage Temp	-45° C to + 85° C
Relative Humidity	0% to 95% (non-condensing)

INDICATOR

Green	Video Sync Present
Green	Power On

OPTICAL POWER BUDGET

Optical transmission distance is limited to optical loss of the fiber and any additional loss caused by connectors, splices, and patch panels.

CAUTION!

The transmitter unit contains a laser-emitting diode located in the optical connector. This device emits invisible infrared electromagnetic radiation that can be harmful to human eyes. The radiation from this optical connector, if viewed closely without any protection, may cause instantaneous damage to the retina of the eye. Direct viewing of this LED should be avoided at all times.

Fiber	Wavelength	Transmitter	Receiver	Optical Power Budget	Max Distance
		Model Output	Model Sensitivity		
Multimode	850/1310 nm	FVTM8003A -10 dBm	FVRM8003A -24 dBm	14 dB	2 Km
Singlemode	1310/1550 nm	FVTM8005A -5 dBm	FVRM8005A -26 dBm	21 dB	30 Km

INSTALLATION INSTRUCTIONS

Installation Procedure

The VERSITRON *VersiVision* FVTM800xA and FVRM800xA video transmission systems series are preset for immediate use. There are indicator LEDs on the units for monitoring the real-time status of video and power. The following instructions describe the typical installation procedure and the function of the LED indicators located on each unit.

1. Connect the video source (camera) to the video input BNC connector on the transmitter unit (FVTM800xA) using coaxial cable.
2. Connect the video output BNC connector on the receiver unit (FVRM800xA) to the video monitor using coaxial cable.
3. Connect the fiber optic cable between the transmitter and receiver units.
4. Apply the power supply to both the transmitter and receiver units.
5. When the power is applied, the GREEN POWER LED will light, indicating the presence of operating power. The GREEN VIDEO LED will give an indication as stated on the following pages.
6. The system should now be operational.

Indicator LEDs

The units have integral LEDs that are used to monitor the state of the unit. Each unit has one power LED and along with a VIDEO LED for each of the eight video connections. The indicator LEDs function as follows:

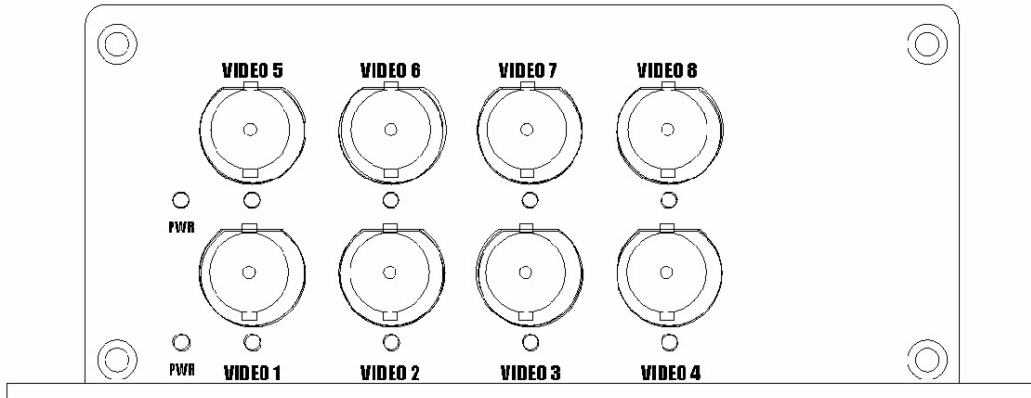
TRANSMITTER and RECEIVER:

Power: ON: (Green) Indicates that correct power has been applied

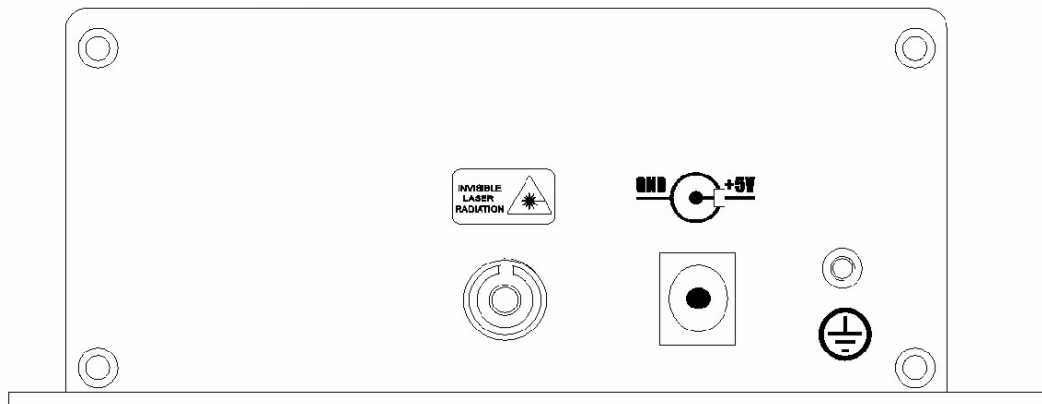
Transmitter:

VIDEO: OFF: Indicates no video detected on input BNC connector
(No Video present on input BNC)

ON: (Green) Indicates video detected on input BNC connector
(Video present on input BNC)



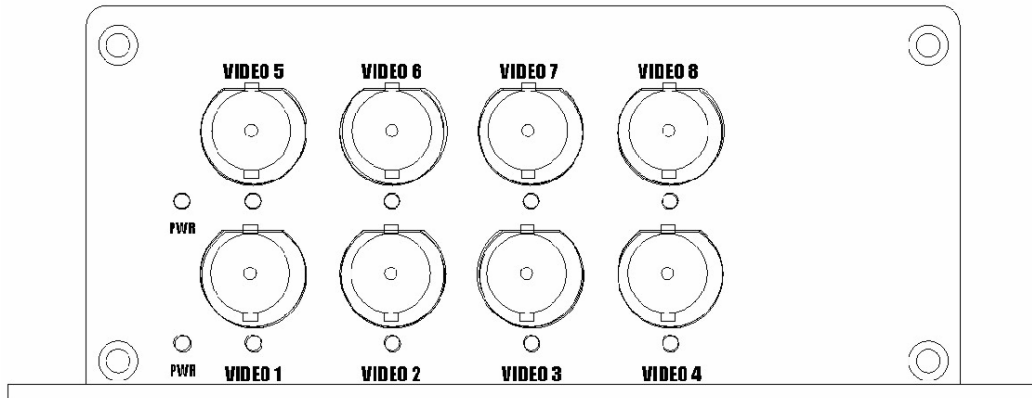
*Front Panel of FVTM800xA



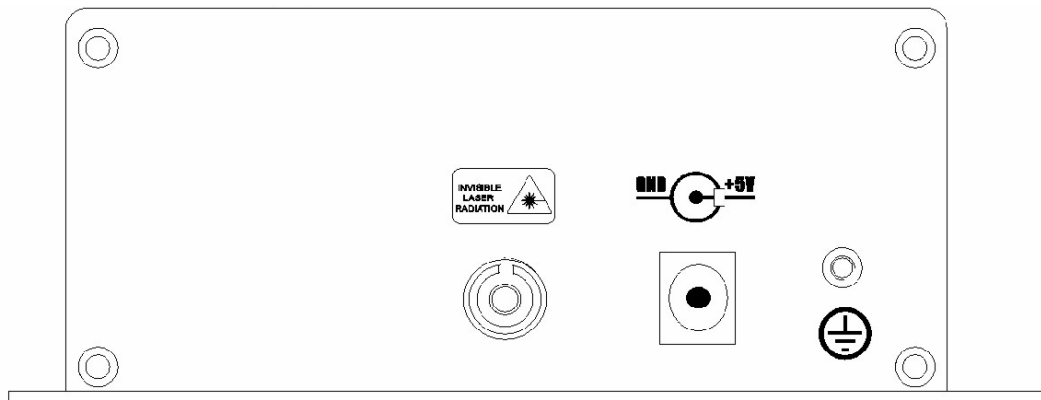
*Rear Panel of FVTM800xA

Receiver:

- VIDEO:** **OFF:** Indicates no video present on output BNC connector
 (No Video present on output BNC)
- ON:** (Green) Indicates video detected on output BNC connector
 (Video present on output BNC)



***Front Panel of FVRM800xA**



***Rear Panel of FVRM800xA**

TROUBLESHOOTING

Optical Fiber

The VERSITRON *VersiVision* FVTM800xA and FVRM800xA video transmission systems series is available for most applications using multi-mode or single-mode optical fibers. Please be certain that the correct size and type of the fiber is being used for the particular transmitter/receiver combination.

Also be certain that the attenuation and bandwidth of the fiber optic cable being used is within the range of the system's loss budget specifications.

General

Any dirt or dust may easily pollute or block the fiber from accepting or radiating light. Therefore, please try to keep the optical connector clear and always use the dust caps whenever the connector is exposed to air. It is suggested that the tip of the optical connector should be carefully cleaned with a lint-free cloth moistened with alcohol from time to time.

The status of any of the VIDEO LED should provide the first clue as to the origin of any operational failure. If the VIDEO LED on the receiver unit is off, it usually means that the fiber is broken or has too much attenuation.

Please also make sure that the transmitter and the receiver are not used in opposite positions.

If the system is still not working after examining the above possibilities, please contact our Customer Service Department for further assistance.