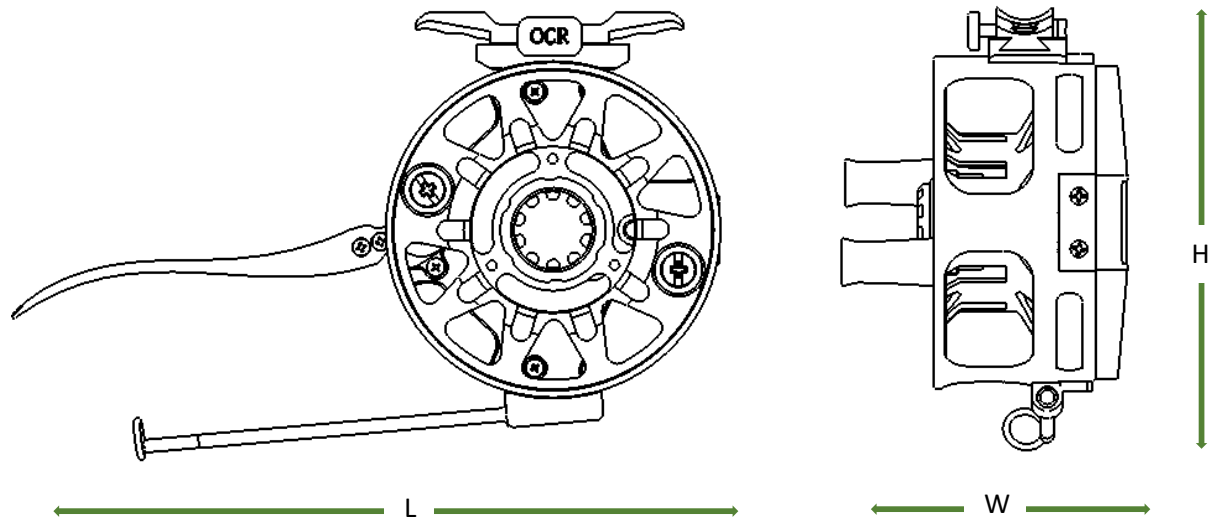


Bighorn Semi-Automatic Fly Reel Technical Specifications

Model #: SA1000

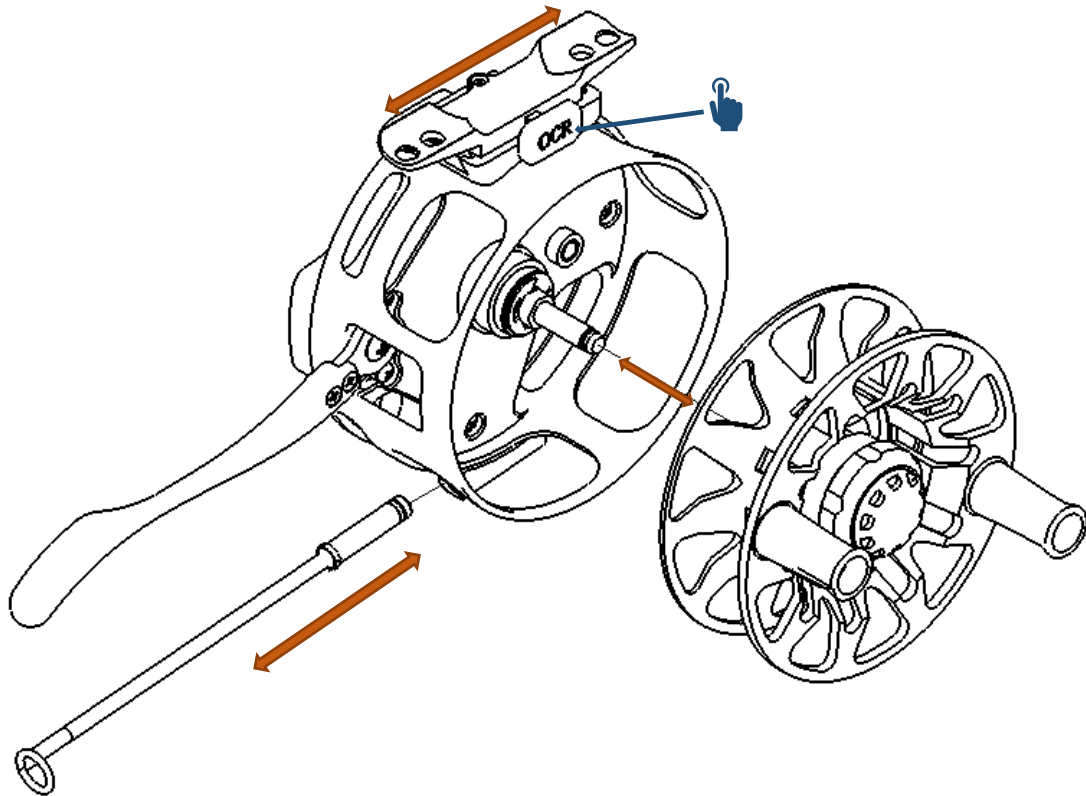


- Infinitely adjustable carbon fiber disc drag system.
- Patent Pending Features Include
 - Push-button adjustable reel foot
 - Removable line-guide (reduces tangles)
 - Sealed gear-train (keeps the grit out)
 - Accessory mounting features (future accessories)



Technical specifications

MODEL: SA1000		
General Specifications	3-7wt	7.9oz (224g)
LxWxH	6.7x2.7x4.2 (in)	169x68.7x106 (mm)
Spool Capacity using 20 lb Dacron Backing		
WF7F	85 yds	77 m
WF6F	90 yds	82 m
WF5F	95 yds	87 m
WF4F	100 yds	91 m
WF3F	105 yd	96 m



- To remove spool, simply pull away from reel body.
- To attach spool, align hex at bottom of shaft to brass feature on the back of the spool, press firmly until a “Click” is felt or heard.
- To adjust foot position, press OCR button and slide reel body along the rod axis for adjusting balance.
- Line guide can be removed by simply pulling away from housing parallel to the rod axis.



Limited Lifetime Warranty

Our reels carry a limited lifetime warranty covering any defect in materials and workmanship. This warranty provides that defective products will be repaired or replaced at Company option at no charge for parts and labor. This warranty does not cover damage caused by accident, misuse, improper maintenance or modification.