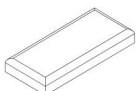




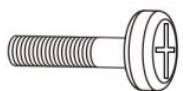
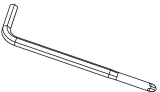


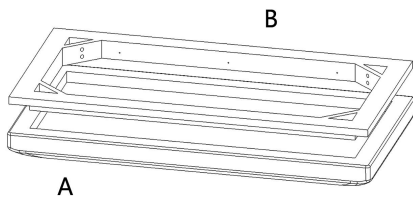
Assembly Instructions

Item:Rupert Bench

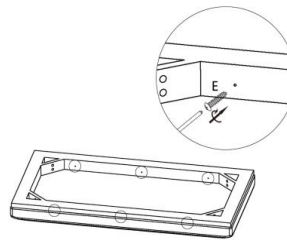
Laying out all the parts and hardware and identifying each part as shown may help you to assemble the bench.

ITEM	PART	DESC.	QTY
A		bench Top	1 PC
B		Wooden panel	1 PC
C		Wooden Shelf	1 PC
D		Wooden leg	2 SETS

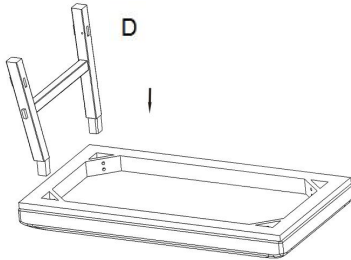
ITEM	PART	DESC.	QTY
E		Long screw with round washer (M6*35 MM)	8 SETS
F		Cross screw	12 PCS
G		Allen Wrench	1 PC



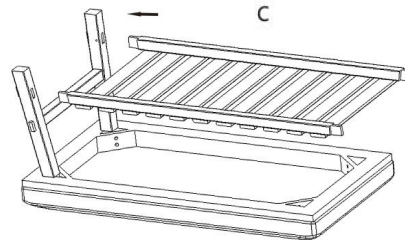
Step1:Insert the wooden panel(B) to bench top(A)



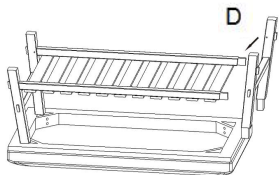
Step2:Screw the cross screw (E) to completed bench top by allen wrench



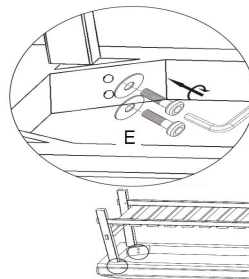
Step3:Insert the wooden leg (D) to the bench top(A)



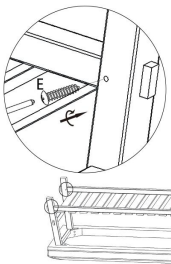
Step4:Insert wooden shelf (C) to completed legs.



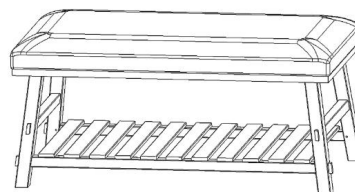
Step5:Install the rest leg sets to finished shelf.



Step6:Screw the rounder washer and screw (E) by allen wrench.



Step 6:Screw the cross screw to finish bench by allen wrench to strengthen the stability.



Finish:Place on the floor to test bench for stability before use

Remark:You should insert again if the legs set come off.