


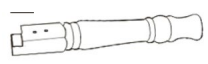

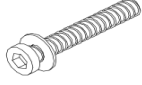
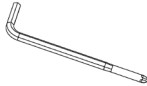


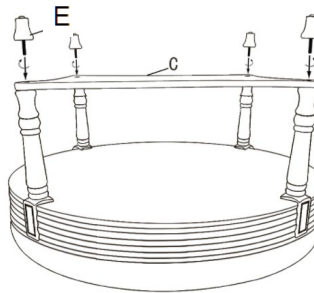
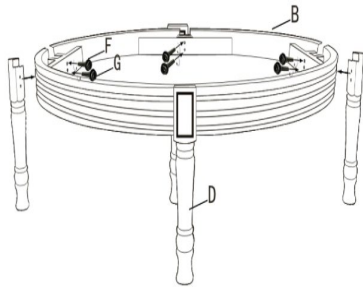
Assembly Instructions

Item: Maurice bench

Laying out all the parts and hardware and identifying each part as shown may help you to assemble the bench.

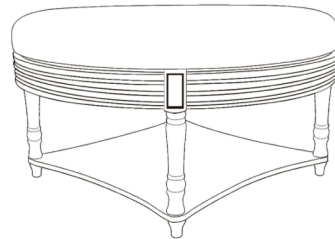
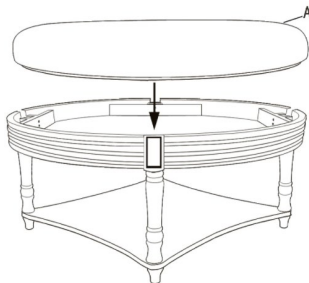
ITEM	PART	DESC.	QTY
A		bench Top	1 PC
B		Apron	1 PC
C		Wooden Shelf	1 PC
D		Wooden leg	4 PCS

ITEM	PART	DESC.	QTY
E		Wooden Legs with thread	4 PCS
F/G		Long screw with round washer (M6*40 MM)	8 SETS
H		Allen Wrench	1 PC



Step1: Insert wooden legs (D) to apron (B) and fasten it by screw with round washer (F/G) by allen wrench (H).

Step2: After completed step 1, putting wooden shelf (C) on the legs and screw the wooden legs with thread (E) by clockwise.



Step3: Putting bench top (A) on the completed frame.

Finish: Place on the floor to test bench for stability before use.

Remark: You should insert again if the legs set come off.