




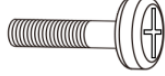
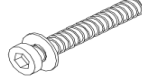
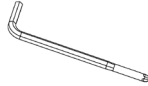


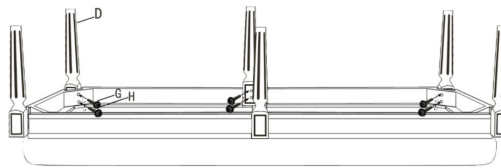
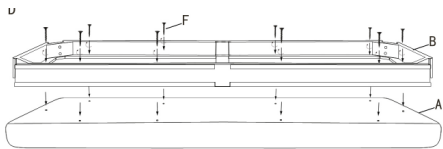
Assembly Instructions

Item:Matilda Bench

Laying out all the parts and hardware and identifying each part as shown may help you to assemble the bench.

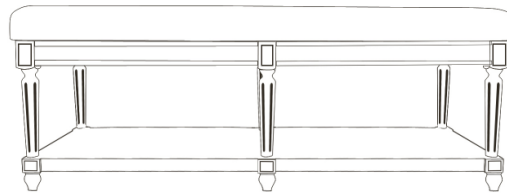
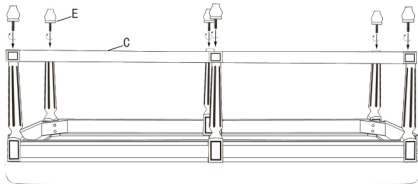
ITEM	PART	DESC.	QTY
A		bench Top	1 PC
B		Wooden panel	1 PC
C		Wooden Shelf	1 PC
D		Wooden leg	6 PCS

ITEM	PART	DESC.	QTY
E		Wooden legs with screw	12 pcs
F		Cross screw	10 PCS
G/H		Washer and screw	12 SETS
I		Allen Wrench	1 PC



Step1:Insert the wooden panel(B) to bench top(A) and attached it by cross screw(F).

Step2:Insert wooden legs (D) to completed top and fasten it by screw with round washer (G/H) by allen wrench (I).



Step3:After completed step 2 insert the wooden shelf (C) to legs and screw the wooden legs with screw (E) by clockwise.

Finish:Place on the floor to test bench for stability before use.

Remark:You should insert again if the legs set come off.