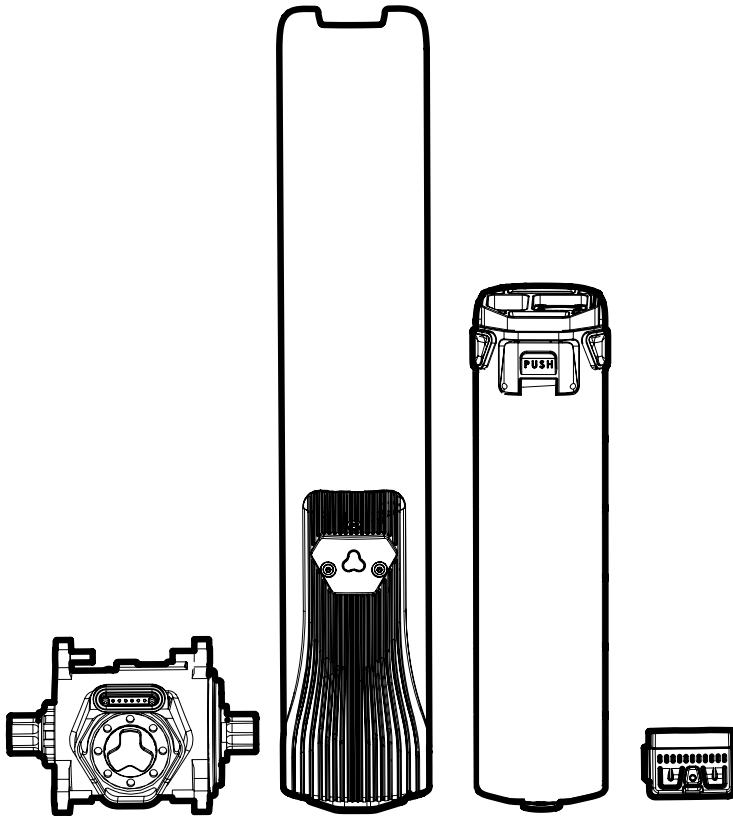


evation 1.0

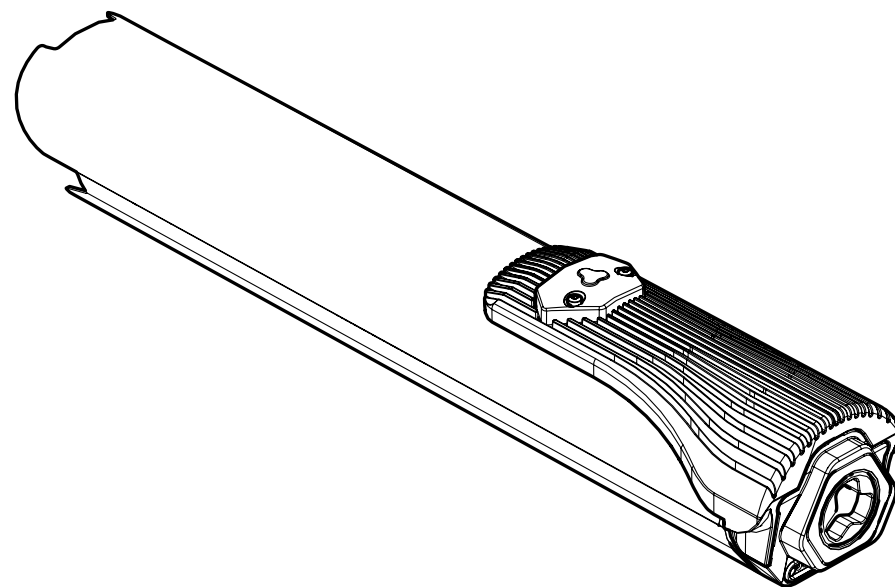


EN Original Instructions
DE Originalbetriebsanleitung
FR Notice Originale
ES Manual original
IT Istruzioni originali
NL Oorspronkelijke gebruiksaanwijzing

 FAZUA

evATION 1.0

Drivepack 25 km/h



en Original instructions

 FAZUA

Safety instructions

! **Important!** Please read carefully the safety warnings **!** and instructions for all components of the drive system as well as your eBike.

! **Important! Read the safety instructions carefully.** Negligence in following these safety instructions could cause electric shocks, fire or severe injuries.

Preserve all safety warnings and instructions for the future.

- !** **Do not open the Drivepack yourself.** The Drivepack is free of maintenance. It must only be opened by qualified experts and repaired with original spare parts. Unauthorized opening of a system would lead to its warranty expiration.
- !** **All components making up the Drivepack and eBike may only be replaced with identical components or specifically approved by your eBike manufacturer.** This protects your drivepack from damage.
- !** **Don't modify the Drivepack or add any other non-approved product to enhance performance.**
- !** **Always remove the Drivepack from the eBike before working on your eBike, transportation or storage.** There is risk of accident in case of accidental activation.
- !** **Be careful when touching the radiator of your Drivepack.** The radiator may heat up considerably and cause skin burns.
- !** **The walk-assistance function may only be used when pushing the eBike.** There is risk of injury if the wheels do not have ground contact when using this function.
- !** **Use only original evation batteries approved by the eBike manufacturer.** Using unauthorized batteries may cause injuries or fire. FAZUA will not assume responsibility if unauthorized batteries are used.
- !** **Observe all national regulations in reference to eBikes and pedelecs.**

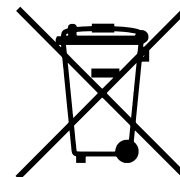
Cleaning, Maintenance and Service

Keep all components of your eBike and the drive system clean. Pay special attention to pins and interfaces between Battery Pack and Drivepack as well as Drivepack and Bottom Bracket. Make sure they are completely dry before each use.

Keeping the Drivepack radiator clean will improve its cooling performance. Grease up your lock every few months or if its operation becomes rougher over time. Do not submerge or clean with high-pressure cleaner any drive system component. Clean all drive system components carefully with a cloth or a soft brush.

For information about servicing your drive system, contact your FAZUA Service Partner or visit the FAZUA Service Platform (www.fazua.com/service).

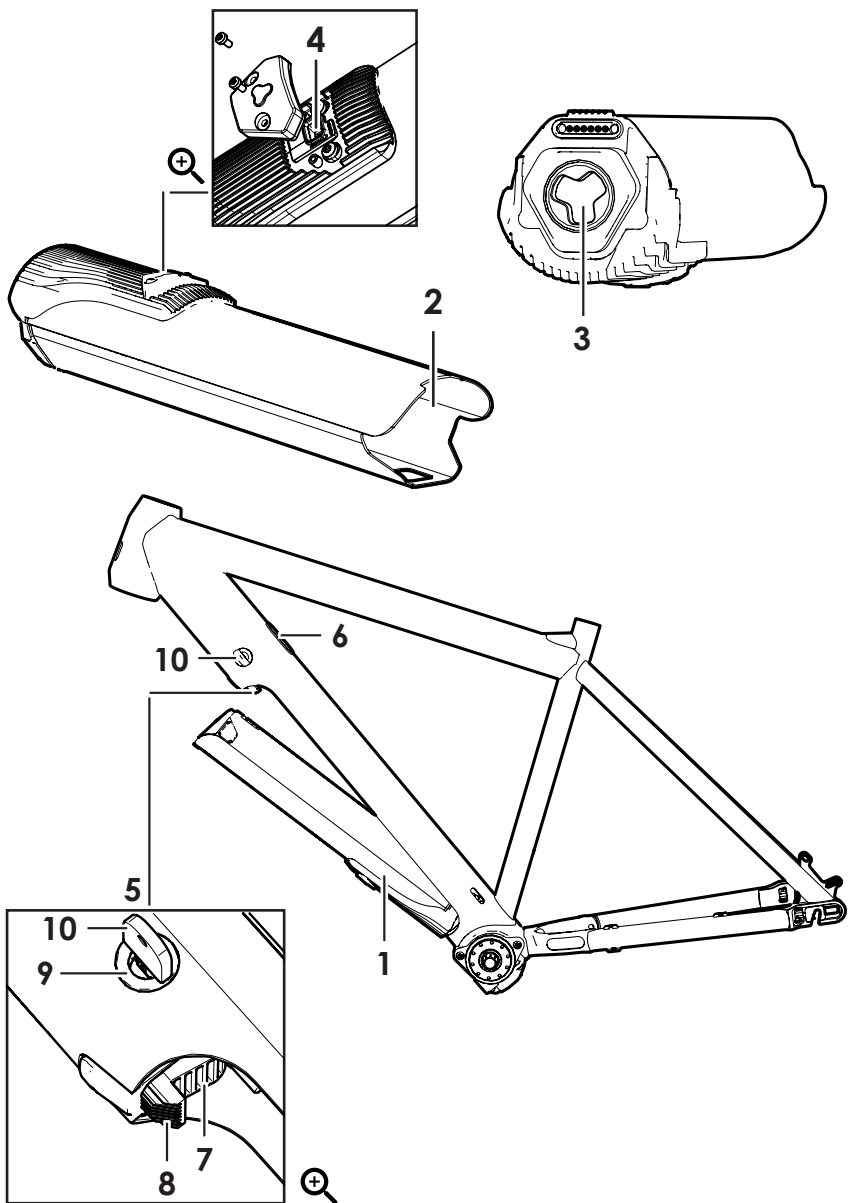
Disposal



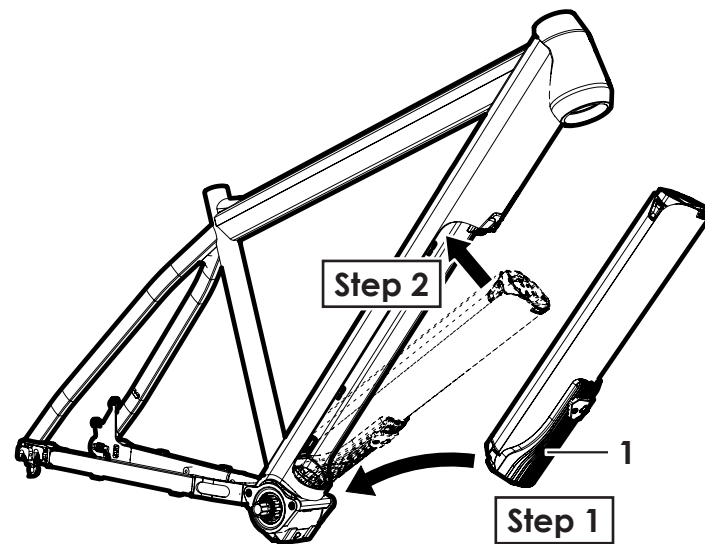
Bottom Bracket, Drivepack, Remote, Battery, Charger, accessories and packaging should be disposed of in an environmentally appropriate manner. Don't throw e-Bikes and components into domestic waste.

EU countries only: According to EU directive 2012/19/EU broken electric devices and according to EU directive 2006/66/EG used batteries must be stored separately and disposed of in an environmentally appropriate manner.

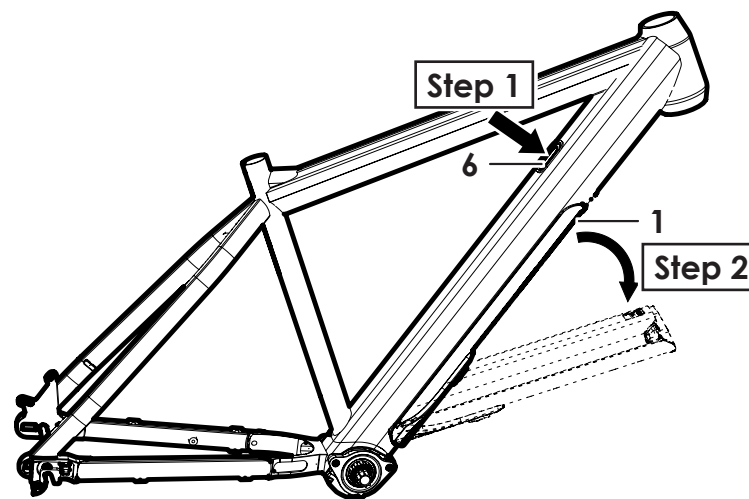
Drivepack 1

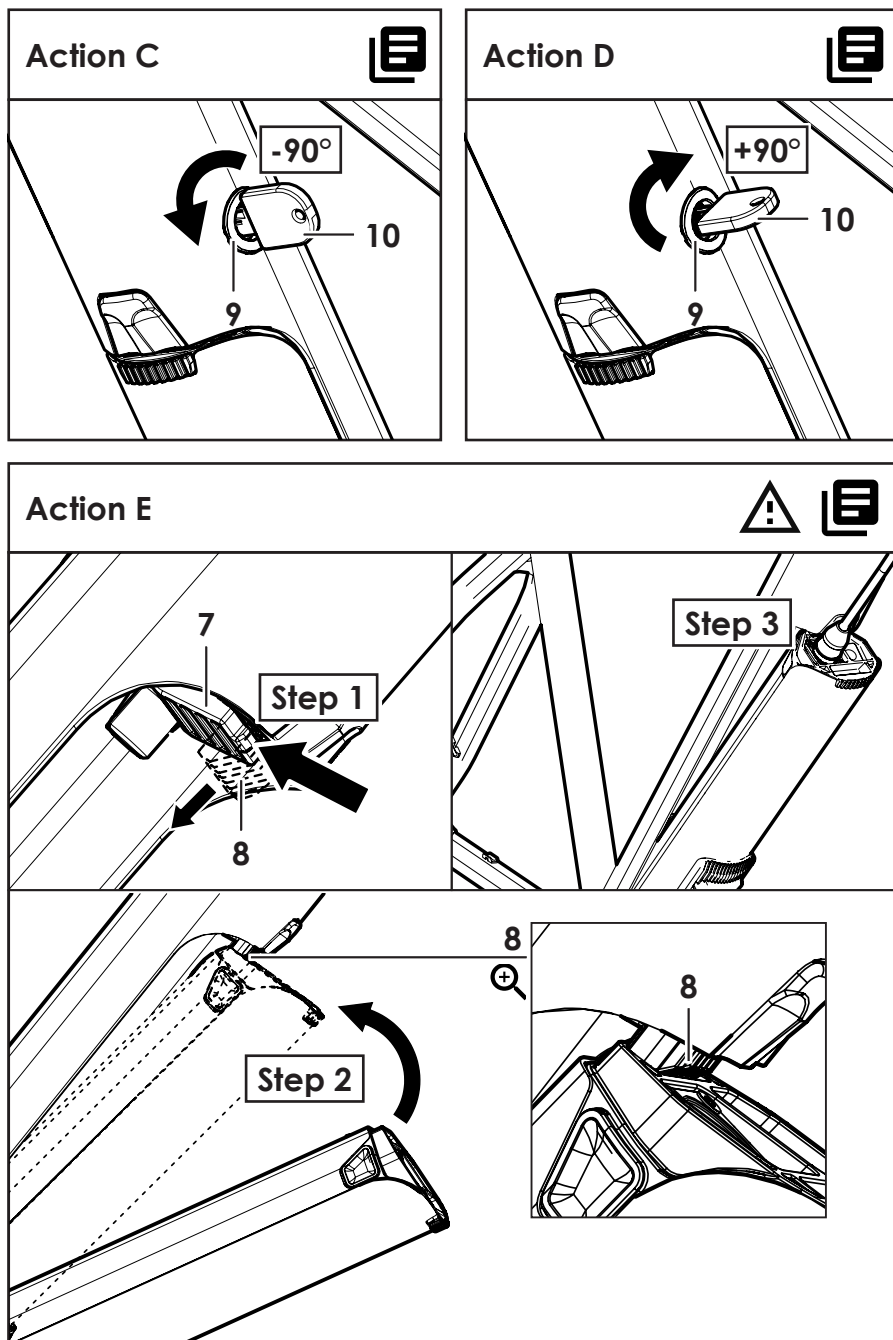


Action A



Action B





Description and Specifications

Purpose

The Drivepack is intended to be used only for driving your eBike and must not be used for any other purpose.

Features

The numbering refers to the illustrations shown at the beginning of the manual. The illustrations show the different components belonging to the Drivepack and other FAZUA modules. Individual illustrations in the manual might differ slightly from the real parts depending on the equipment of your eBike.

1. Drivepack
2. Battery slot
3. Interface to Bottom Bracket
4. USB connection
5. Drivepack lock
6. Release button
7. Pressing chock
8. Fastening hook
9. Lock cylinder
10. Lock key

Specifications

Drivepack		
Article number		01-2018-001
Rated continuous output	W	250
Max. Output	W	400
Torque at chain, max.	Nm	60
Rated voltage	V	36
Operating temperature	°C	-20 ... +60
Storage temperature	°C	-20 ... +60
Degree of protection		IP 54
Weight , approx.	kg	2

Assembly

Inserting/removing the Battery Pack

To insert/remove the Battery Pack in/from the eBike, follow the **Battery Pack Instructions**.

Mounting the Drivepack in the eBike

After inserting the Battery Pack in the **Drivepack (1)** (see the **Battery Pack Instructions**), lay the **interface to Bottom Bracket (3)** over the open interface on your Bottom Bracket (**Action A, Step 1**). right underneath your eBike downtube.

Now bring the upper part of the **Drivepack (1)** inside the downtube until the **fastening hook (8)** hooks in (**Action A, Step 2**). Make sure the **Drivepack (1)** is tightly anchored within the downtube and does not come out.

Dismounting the Drivepack from the eBike

! **Important!** Make sure that you are holding your **Drivepack (1)** when dismounting it, otherwise the **Drivepack (1)** may fall freely from the frame.

Hold the mounted **Drivepack (1)** with one hand and press the **release button (6)** with the other hand (**Action B, Step 1**). You can now remove the **Drivepack (1)** easily (**Action B, Step 2**).

▮ **Note!** Sometimes pushing up the **Drivepack (1)** against the frame before pressing the **release button (6)** may result in a smoother dismounting.

Locking/unlocking the drivepack within your eBike

Once a **Drivepack (1)** is mounted in the eBike, it can be locked in so that the **Drivepack (1)** cannot be removed. **To lock** a mounted **Drivepack (1)**, insert the **key (10)** into the **lock cylinder (9)** and turn it **counter-clockwise (Action C)**.

To unlock the **Drivepack (1)** from the eBike, insert the **key (10)** into the **cylinder (9)** and turn it **clockwise (Action D)**.

Charging the Battery Pack in your bike

⚠ **Warning!** Read carefully and respect the battery instructions. **Warning!** Pay attention to your battery before each use and before charging. Make sure terminals and surfaces are clean.

⚠ **Warning!** Before using or charging your Battery Pack, always look for signs of damage like cracks or burns. Never use or charge a damaged Battery. Please contact your FAZUA Service Partner or visit the FAZUA Service Platform (www.fazua.com/service).

The **Drivepack (1)** can be mounted in the eBike, leaving the charging port of the Battery Pack accessible to connect the charger. For that, dismount the **Drivepack (1)** from the eBike (**Action B**). Push up the **pressing chock (7)** at the **lock (5)** and the **fastening hook (8)** will come out (**Action E, Step 1**). Now mount the **Drivepack (1)** back into the bike without pushing the upper part all the way in (**Action E, Step 2**). This way, the **fastening hook (8)** fastens the **Drivepack (1)** without being completely inserted.

Operation

Requirements

For running the eBike drive system, following requirements must be followed:

- The Battery Pack is sufficiently charged, inserted and turned on (see **Battery Pack Instructions**).
- **Drivepack (1)** is mounted in the eBike.
- The speed sensor is properly connected to the Bottom Bracket and spoke magnet justly placed (see **Bottom Bracket Instructions**).

Switching eBike System On/Off

The system can be operated by a FAZUA approved Remote. Once the **Drivepack (1)** is mounted in the eBike, the system can be **switched on** by simply pressing any of the Remote buttons (see **Remote Instructions**).

The system output power depends on the support level settings on the Remote.

When you stop pedaling, or a speed of 25 km/h is reached, the support from the drive system is gently switched off. The system switches on again when you start pedaling and the speed is below 25 km/h.

There are different ways to **switch off** the system:

- Press and hold the middle button of the Remote for 2 s (see **Remote Instructions**).
- Unmount the **Drivepack (1)** from the bike.
- Switch off the Battery Pack (see the **Battery Pack Instructions**).
- Let the eBike enter into inactivity.

Setting the Support Level

You can set on the Remote to what extent should the eBike system support you when pedaling. The support level can be set at any time, even while riding. To switch the support level, you must press the up/down buttons on the Remote (see **Remote Instructions**).


The following support levels are available:

- **No Support (white)**: The motor support is switched off. The eBike can be driven as a normal bicycle.
- **Breeze (green)**: Low but efficient support to maximize the eBike range.
- **River (blue)**: Solid support suitable for most of scenarios.
- **Rocket (pink)**: Maximum support for the most demanding tours.


Support Level	Color	Max. Support Factor	Max. Power
No Support	White	0%	0 W
Breeze	Green	75%	125 W
River	Blue	150%	250 W
Rocket	Pink	240%	400 W

Switching the Walk-assistance mode on/off

The Walk-assistance function helps to push the eBike. The speed of the eBike in Walk-assistance mode may vary depending on the set gear, with maximum speed of 6 km/h. The user can reduce the speed of the eBike to his own by holding it firmly while walking.

 **Warning! The Walk-assistance mode is intended to be used only while pushing the eBike.** A misuse of the Walk-assistance mode assumes risk of injury.

To **activate** the Walk-assistance mode, set your system to "No Support" mode on the Remote (See **Remote Instructions**). Then, press and hold the "Down" button on the Remote. After 2 s the Walk-assistance mode switches on.

 **Warning! Make sure your hands are firmly holding the handlebar of your eBike when using this function, otherwise you may momentarily lose control over the eBike.**

The Walk-assistance is switched off when:

- You release the "Down" button.
- The wheels of the eBike are blocked.
- The speed exceeds 6 km/h

Inactivity

If the eBike reaches inactivity, the system will automatically switch off the Battery Pack. In order to start the system from inactivity you have to switch on the Battery Pack (see **Battery Pack Instructions**). The eBike reaches inactivity when:

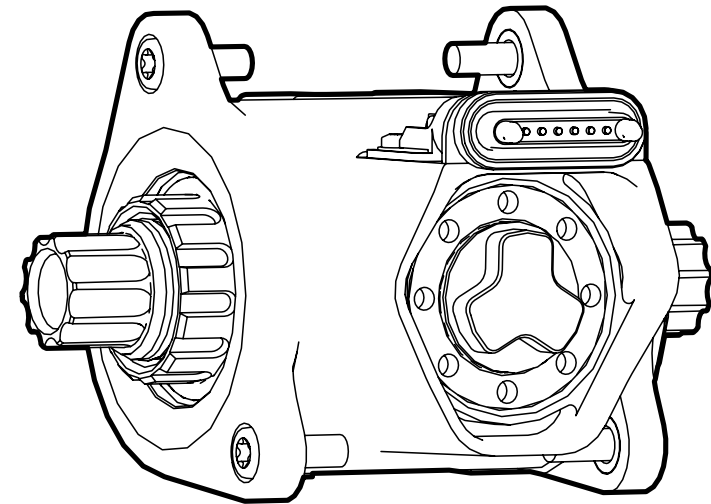
- The eBike is not moved and no button is pressed on the remote for 10 h.
- The state of charge of the battery is below 30% and the bike is not moved and no button is pressed on the remote for 3 h.

Notes when driving your eBike


- The bicycle gears must be used as with a standard bicycle. Regardless of the kind of gears, it is recommended to briefly interrupt the pedaling while changing gears. This would reduce stress on your gearing and drivetrain.
- Using the right gear increases the speed, power and range of your eBike with the same pedaling effort.
- It is recommended to gradually gather experience with your eBike far from roads and traffic. Test the range of your eBike under different conditions before planning longer rides.
- It is not possible to accurately predict the range of your system before or during a ride. The range of your eBike is influenced by many factors:
 - Support level
 - Speed
 - Gear management
 - Tire type and pressure
 - Route and atmospheric conditions
 - Bike + rider weight
 - Battery age
- Be careful with the operating and storage temperatures of the eBike components. Specially the Battery Pack, it can get damaged through extreme temperatures.

evation 1.0

Bottom Bracket






Safety instructions

! **Important!** Please read carefully the safety warnings  and instructions for all components of the drive system as well as your eBike.

! **Important! Read the safety instructions carefully.** Negligence in following these safety instructions could cause electric shocks, fire or severe injuries.

Preserve all safety warnings and instructions for the future.

-  **Do not open the Bottom Bracket yourself.** The Bottom Bracket is free of maintenance. It may only be opened by qualified experts and repaired with original spare parts. Unauthorized opening of a system would lead to its warranty expiration.
-  **All components making up the Bottom Bracket and eBike may only be replaced with identical components or specifically approved by your eBike manufacturer.** This protects your Drivepack from damage.
-  **Don't modify the Bottom Bracket or add any other non-approved product to enhance its performance.**

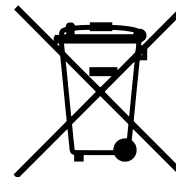
Cleaning, Maintenance and Service

Keep all components of your eBike and the drive system clean. Pay special attention to pins and interfaces between Battery Pack and Drivepack as well as Drivepack and Bottom Bracket. Make sure they are completely dry before each use.

Keeping the Drivepack radiator clean will improve its cooling performance. Grease up your lock every few months or when its operation becomes rougher over time. Do not submerge or clean with high-pressure cleaner any drive system component. Clean all drive system components carefully with a cloth or a soft brush.

For information about servicing your drive system, contact your FAZUA Service Partner or visit the FAZUA Service Platform (www.fazua.com/service).

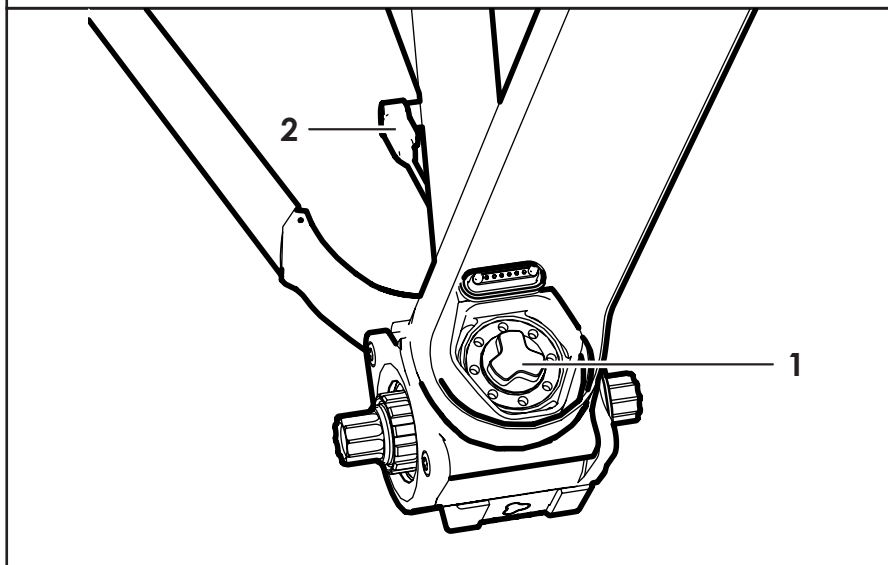
Disposal



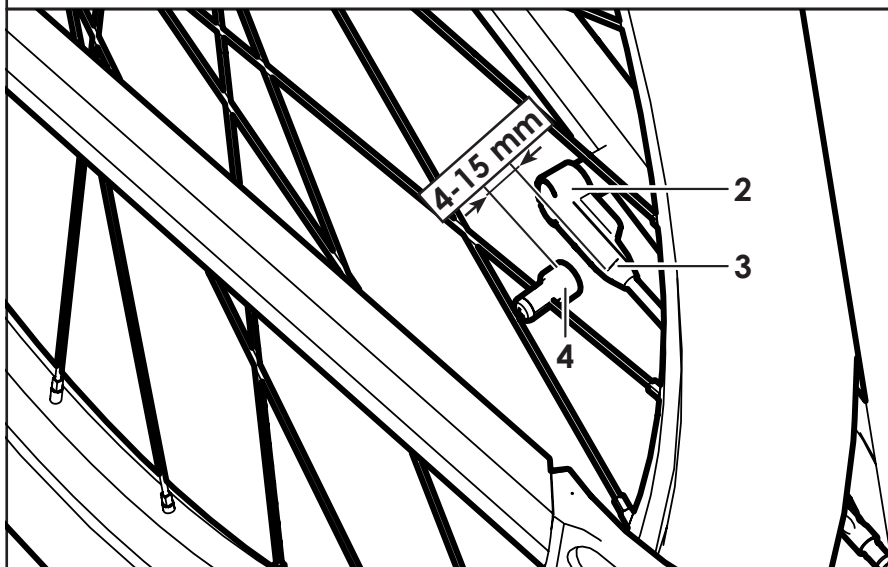
Bottom Bracket, Drivepack, Remote, Battery, Charger, accessories and packaging should be disposed of in an environmentally appropriate manner. Don't throw e-Bikes and components into domestic waste.

EU countries only: According to EU directive 2012/19/EU broken electric devices and according to EU directive 2006/66/EG used batteries must be stored separately and disposed of in an environmentally appropriate manner.

Bottom Bracket 1



Speed Sensor 2



Description and Specifications

Features

The numbering refers to the illustrations shown at the beginning of the manual. The illustrations show the different components belonging to the Bottom Bracket. Individual illustrations in the manual might differ slightly from the real parts depending on the equipment of your eBike.

1. Bottom Bracket
2. Speed Sensor
3. Magnet position mark
4. Spoke magnet of the speed sensor

Specifications

Bottom Bracket		
Article number		01-2018-002-01
Assistance Torque, max.	Nm	60
Q Factor, min.	mm	135 (w/o crank arms)
Operating temperature	°C	-20 ... +60
Storage temperature	°C	-20 ... +60
Degree of protection		IP 54
Chainline	mm	49, 52
Weight , approx.	kg	1.3

Assembly

Speed Sensor adjustment

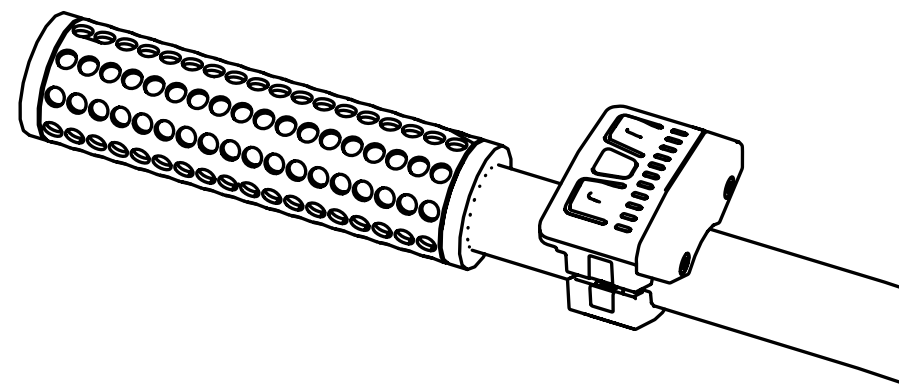
The **speed sensor (2)** and the **spoke magnet (4)** must meet 2 conditions:

- The position of the **spoke magnet (4)** at the spoke must let the **magnet (4)** run past the **magnet position mark (3)**.
- The distance between the **speed sensor (2)** and the **spoke magnet (4)** when facing each other must be in a 4-15 mm range.

Note! When the distance between **speed sensor (2)** and **spoke magnet (4)** is not right, or if the **speed sensor (2)** is not properly connected, the ebike will run under a "Soft Fault" condition notified on the Remote (see **Remote Instructions**). If this happens, loosen the screw of the **spoke magnet (4)** and fasten it again ensuring that it runs past the **mark of the speed sensor (3)** maintaining the right distance. If the problem does not get solved, contact an authorized bicycle dealer or visit the FAZUA Service Platform (www.fazua.com/service)

evATION I.0

Remote



Safety instructions

! **Important!** Please read carefully the safety warnings **!** and instructions for all components of the drive system as well as your eBike.

! **Important! Read the safety instructions carefully.** Negligence in following these safety instructions could cause electric shocks, fire or severe injuries.

Preserve all safety warnings and instructions for the future.

! **Do not open the drive system's components by yourself.** The components are free of maintenance. They may only be opened with qualified experts and repaired with original spare parts. Unauthorized opening of a system would lead to its warranty expiration.

! **Stay aware of the traffic and your environment when manipulating the evation Remote. There is a risk of accident if you do not focus on the traffic.**

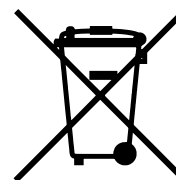
Cleaning, Maintenance and Service

Keep all components of your eBike and the drive system clean. Pay special attention to pins and interfaces between Battery Pack and Drivepack as well as Drivepack and Bottom Bracket. Make sure they are completely dry before each use.

Keeping the Drivepack radiator clean will improve its cooling performance. Grease up your lock every few months or when its operation becomes rougher over time. Do not submerge or clean with high-pressure cleaner any drive system component. Clean all drive system components carefully with a cloth or a soft brush.

For information about servicing your drive system, contact your FAZUA Service Partner or visit the FAZUA Service Platform (www.fazua.com/service).

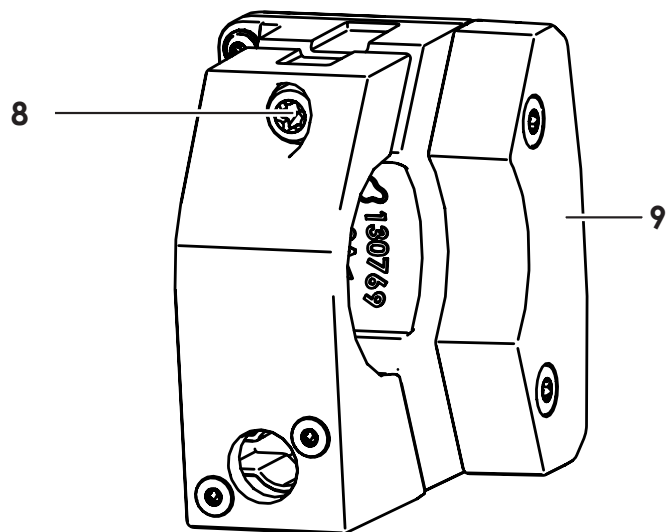
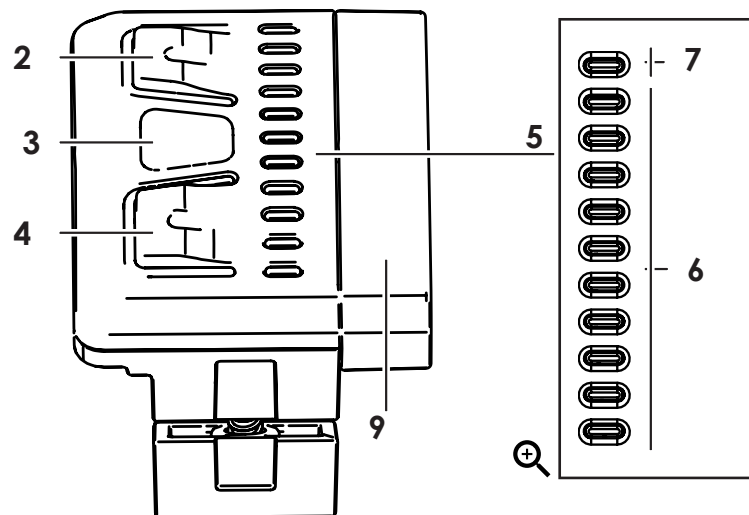
Disposal



Bottom Bracket, Drivepack, Remote, Battery, Charger, accessories and packaging should be disposed of in an environmentally appropriate manner. Don't throw e-Bikes and components into domestic waste.

EU countries only: According to EU directive 2012/19/EU broken electric devices and according to EU directive 2006/66/EG used batteries must be stored separately and disposed of in an environmentally appropriate manner.

Remote 1



Description and Specifications

Purpose

The remote is meant to control the FAZUA evation drive system and display certain riding data. The remote must not be used for any other purpose.

Features

The numbering refers to the illustrations shown at the beginning of the manual. The illustrations show the different components belonging to the Remote. Individual illustrations in the manual may differ slightly from the real parts depending on the equipment of your eBike.

1. Remote
2. "Up" button
3. Middle button
4. "Down" button
5. Display bar
6. State of charge/support level bar
7. Notification indicator
8. Fastening screw
9. Add-on port

Specifications

Remote		
Article number		01-2018-003
Operating temperature	°C	-20 ... +60
Storage temperature	°C	-20.. +60
Degree of protection		IP 54
Weight , approx.	kg	0.075

Operation

Requirements

For running the eBike drive system, following requirements must be met:

- The Battery Pack is sufficiently charged, inserted and turned on (see **Battery Pack Instructions**).
- Drivepack is mounted in the eBike.
- The speed sensor is properly connected to the Bottom Bracket and spoke magnet justly placed (see **Bottom Bracket Instructions**).

Switching eBike System On/Off

To **switch on** the eBike press **any of the Remote buttons (2,3,4)**. The **Remote (1)** will shortly show the start-up animation and get into operation mode.

To **switch off** the eBike from the **Remote (1)** you have to press and hold the **middle button (3)** of the **Remote (1)** for 2 s.

Other alternative options to switch off the eBike are:

- Unmounting the Drivepack from the bike (see **Drivepack Instructions**).
- Switching off the Battery Pack (see the **Battery Pack Instructions**).
- Letting the eBike enter into inactivity (see **Drivepack Instructions**).

 **Note!** Always switch off the eBike system when you park the eBike.

Display of the Remote

The **display bar (5)** on the **Remote (1)** consists of 11 LEDs.

- The top LED is the **notification indicator (7)** meant for eBike status notification.
- The remaining 10 LEDs are meant for the **state-of-charge and support level bar (6)**.

State-of-charge and support level bar

The **state-of-charge and support level bar (6)** shows 2 parameters:

- State-of-charge of your Battery Pack.
- Selected support level of your eBike.

The state-of-charge of your Battery Pack is indicated by the number of LEDs that are lit. Each LED represents 10% of the total capacity. When charge at the Battery Pack is full, all 10 LEDs are lit. However, if Battery Pack is empty, then no LEDs will light up.


The selected support level is represented with the color of the **bar (6)**. There are 4 possible colors this **bar (6)** can show and they refer to the 4 different support levels.

Notification indicator

The **notification indicator (7)** will show notifications of errors or events in the eBike in case they occur. If no errors are detected, the notification indicator should not light up.

Different colors on the **notification indicator (7)** have different meanings :

- **Green:** The **notification indicator (7)** briefly blinks green when the Drivepack is mounted in the eBike. This provides visual feedback that the system is ready to be switched on.
- **Yellow:** The **notification indicator (7)** lights up yellow if a “**Soft Fault**” is detected. This means that temporary or minor flaws are present and, probably, a limitation in performance. Riding your eBike under a “**Soft Fault**” is possible but not recommended.
- **Red:** The **notification indicator (7)** lights up red if a “**Hard Fault**” is detected. The eBike system will not work under a “**Hard Fault**” condition and your eBike will need Service.

 **Note!** The most common cause for a “**Soft Fault**” in your eBike is the missing information from the Speed Sensor (see the **Bottom Bracket Assembly instructions**).

In case of a permanent “**Soft Fault**”, try reassembling the speed sensor magnet (See **Bottom Bracket Instructions**). If this problem persists contact your FAZUA Service Partner or visit the FAZUA Service Platform (www.fazua.com/service).

In case of a permanent “**Hard Fault**”, contact your FAZUA Service Partner or visit the FAZUA Service Platform (www.fazua.com/service).

Setting the Support Level

You can set on the **Remote (1)** to what extent should the eBike system support you when pedaling. The support level can be set at any time, even while riding. In order to switch the support level, you must press the **up/down buttons (2,4)** on the **Remote (1)**.


The following support levels are available:

- **No Support (white):** The motor support is switched off. The eBike can be driven as a normal bicycle.
- **Breeze (green):** Efficient support to maximize the eBike range.
- **River (blue):** Solid support suitable for most of scenarios.
- **Rocket (pink):** Maximum support for the most demanding tours.


Support Level	Color	Max. Support Factor	Max. Power
No Support	White	0%	0 W
Breeze	Green	75%	125 W
River	Blue	150%	250 W
Rocket	Pink	240%	400 W

Switching the Walk-assistance mode on/off

The Walk-assistance function helps to push the eBike. The speed of the eBike in Walk-assistance mode may vary depending on the set gear, with maximum speed of 6 km/h. The user can reduce the speed of the eBike to his own by holding it firmly while walking.

 **Warning! The Walk-assistance mode is intended to be used only while pushing the eBike.** A misuse of the Walk-assistance mode assumes risk of injury.

To **activate** the Walk-assistance mode, set your system to "No Support" mode on the Remote (See **Remote Instructions**). Then, press and hold the "Down" button on the Remote. After 2 s the Walk-assistance mode switches on.

 **Warning! Make sure your hands are firmly holding the handlebar of your eBike when using this function, otherwise you may momentarily lose control over the eBike.**

The Walk-assistance is switched off when:

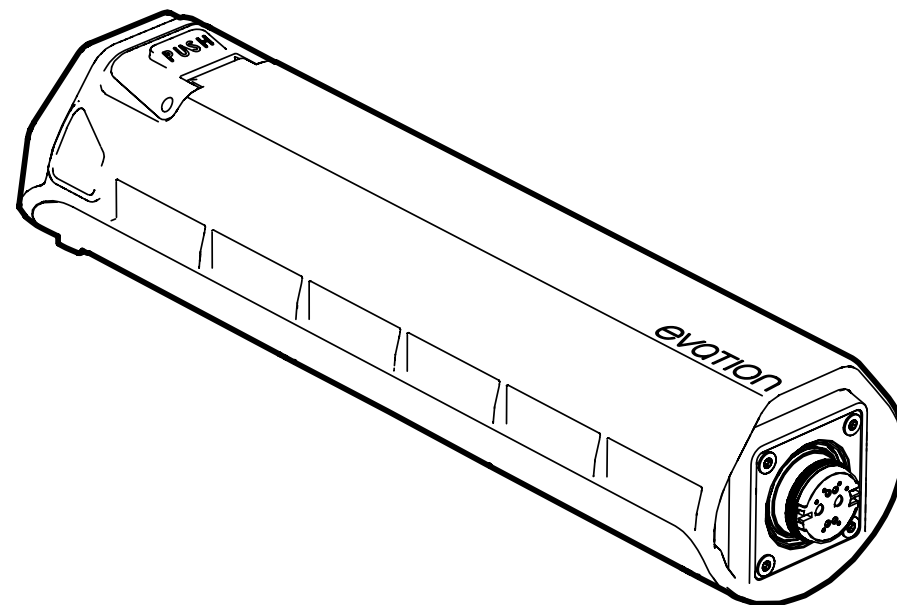
- You release the **"Down" button (4)**.
- The wheels of the eBike are blocked.
- The speed exceeds 6 km/h

Remote control quick guide

Action	Button	Duration
Switch On	Any	Any
Switch Off	Middle	2 s
Increase support level	Up	Any
Decrease support level	Down	Any
Walk-assistance mode On	1. (In No Support mode) 2. Down	> 2 s

evation I.0

Battery Pack 7000




en Original instructions



Safety instructions















Important! Please read carefully the safety warnings  and instructions for all components of the drive system as well as your eBike.



Important! Read the safety instructions carefully. Negligence in following these safety instructions could cause electric shocks, fire or severe injuries.

Preserve all safety warnings and instructions for the future.

-  **Remove the Battery Pack from the Drivepack before carrying out cleaning works.** Humidity on the contacts of your Drivepack when the Battery Pack is being inserted may damage your Battery Pack.
-  **Do not open the Battery Pack.** Danger of explosion. Opening the Battery Pack assumes an automatic expiration of the warranty.
-  **Use the Battery Pack exclusively with eBikes that have an original FAZUA evation drive system.**
-  **Use only original evation Battery Packs approved by the eBike manufacturer.** Using unapproved batteries may cause injuries or fire. FAZUA will not be liable for using unapproved batteries.
-  **Use only original FAZUA chargers for charging the Battery Pack.** FAZUA will not be liable for damage caused by the use of unapproved chargers.
-  **Keep the Battery Pack away from heat, fire and water.** Risk of explosion.
-  **Protect the Battery Pack from mechanical impacts or stress.** Risk of damage and emission of fumes, which can irritate the respiratory system. Provide fresh air and seek medical assistance in case of discomfort.
-  **Watch out for metal objects such as coins, paper clips, screws, etc etc. in the vicinity of the Battery Pack.** They can produce a connection between the terminals of the Battery Pack. Danger of fire. Damage caused this way will not be covered by the warranty.
-  **Keep the Battery Pack away from flammable materials. Make sure the Battery Pack is dry and placed in a fireproof area when charging.** Heat produced while charging may cause fire.
-  **Do not leave the Battery Pack unattended when charging.**
-  **Never use or charge a damaged Battery Pack.**
-  **Avoid contact with any liquid that may be discharged by the Battery Pack.** Flush with abundant water in case of contact with such liquid. Any contact with such liquid may produce irritations and burns. If liquid contacts eyes, look for medical assistance.



Keep the Battery Pack and Charger away from pacemakers. Magnetic connectors can affect their functionality.



Keep the Battery Pack out of reach of children.

Cleaning, Maintenance and Service

Keep all components of your eBike and the drive system clean. Pay special attention to pins and interfaces between Battery Pack and Drivepack as well as Drivepack and Bottom Bracket. Make sure they are completely dry before each use.

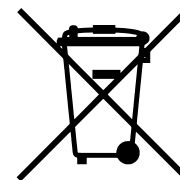
Keeping the Drivepack radiator clean will improve its cooling performance. Grease up your lock every few months or when its operation becomes rougher over time. Do not submerge or clean with high-pressure cleaner any drive system component. Clean all drive system components carefully with a cloth or a soft brush.

For information about servicing your drive system, contact your FAZUA Service Partner or visit the FAZUA Service Platform (www.fazua.com/service).

Transportation

Batteries are subject to regulation for dangerous goods. Undamaged batteries can be transported by road by private persons. For commercial transportation, observe the regulation for packaging, identification and transportation of dangerous goods. Cover open pins and pack the battery tight. Make your parcel service aware of transporting a dangerous goods. For any further questions contact a FAZUA Service Partner or visit the official FAZUA Service Platform (www.fazua.com/service).

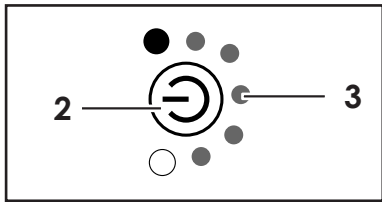
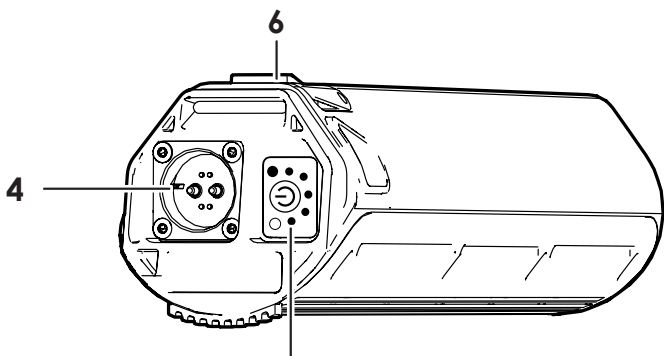
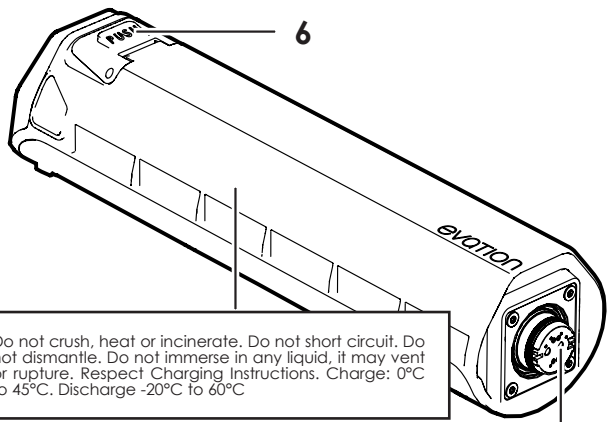
Disposal



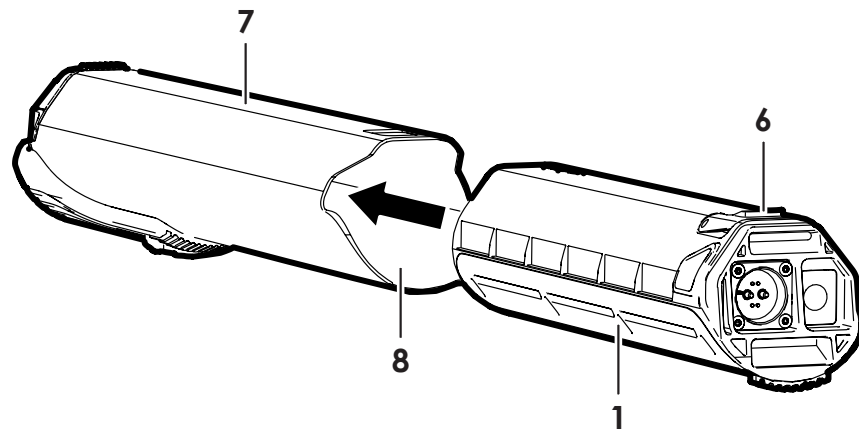
Bottom Bracket, Drivepack, Remote, Battery, Charger, accessories and packaging should be disposed of in an environmentally appropriate manner. Don't throw e-Bikes and its components into domestic waste.

EU countries only: According to EU directive 2012/19/EU broken electric devices and according to EU directive 2006/66/EG used batteries must be stored separately and disposed of in an environmentally appropriate manner.

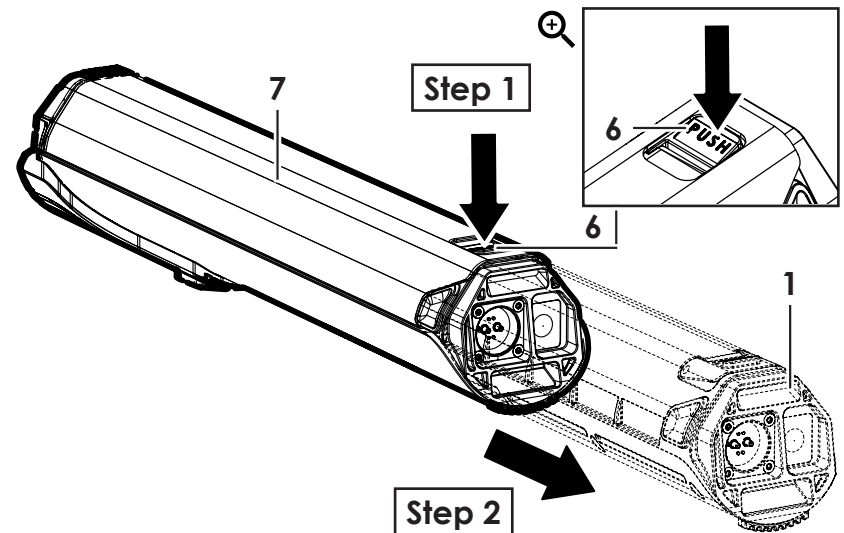
Battery Pack 1



Action A



Action B



Description and Specifications

Features

The numbering refers to the illustrations shown at the beginning of the manual. The illustrations show the different components belonging to the Battery Pack. Individual illustrations in the manual might differ slightly from the real parts depending on the equipment of your eBike.

1. Battery Pack
2. On/Off Button
3. Operation and charge-control indicator
4. Socket for charge connector
5. Connector to Drivepack
6. Fastening lid
7. Drivepack
8. Battery slot


Specifications


Lithium-ion Battery Pack 7000		
Article number		01-2018-004
Rated voltage	V	36
Rated capacity	Ah	7
Energy	Wh	252
Operating temperature	°C	-20 ... +60
Storage temperature	°C	-20 ... +60
Discharge temperature	°C	-20... +60
Charging temperature	°C	0 ... +45
Degree of protection		IP 54
Weight , approx.	kg	1.4

* Exceeding these limits might lead to power derating.

Assembly

 **Warning! Read carefully and observe the Battery Pack (1) Instructions.**

 **Warning! Pay attention to your Battery Pack (1) before each use and before charging. Make sure terminals and surfaces are clean.**

 **Warning! Before using or charging your Battery Pack (1), always look for signs of damage like cracks or burns. Never use or charge a damaged Battery Pack (1).** Please contact your FAZUA Service Partner or visit the FAZUA Service Platform (www.fazua.com/service).


First check of the Battery Pack

Check your **Battery Pack (1)** before charging it or using it for the first time.

Press the **on/off button (2)** on your **Battery Pack (1)**. If all LEDs of the charge-control indicator (3) are not lit, then fully charge the Battery Pack before first use. If no LED of the **charge-control indicator (3)** lights up, your **Battery Pack (1)** is possibly damaged.

After the first use, and before each use, always switch on your **Battery Pack (1)** by pushing the **on/off button (2)**.

Charging the Battery Pack

 **Important! Read carefully the instructions of the Charger before proceeding with the first charge.**

The **Battery Pack (1)** can be recharged at any time on its own, within a Drivepack, or within your eBike(see **Drivepack Assembly Instructions**). The charging process can be interrupted at any moment.

To ensure the full **Battery Pack (1)** capacity, charge your **Battery Pack (1)** before the first use until full charge.

When the **Battery Pack (1)** is not within the charging temperature range, it will not charge even when the Charger is connected. It will wait until the charging temperature is reached before starting.

Charge-control indicator

When the **Battery Pack (1)** gets switched on, the start-up animation will be shown on the **charge-control indicator (3)**. After that, the LEDs will shortly show the **state-of-charge (3)** of the **Battery Pack (1)**.

Once the **Battery Pack (1)** is on, the state-of-charge can be checked by briefly pressing the **on/off button (2)**.

Each LED corresponds to 20% of the capacity. When charge is full, all five LEDs light up. However, when the charge is empty, only the last LED will light up intermittently. The state-of-charge of the **Battery Pack (1)** is also shown on the Remote (see **Remote Instructions**).


Inserting/Removing the Battery Pack

 **Warning! Make sure both Battery Pack (1) and Drivepack (7) are clean, otherwise, the friction created by the dirt may complicate this operation.**

To insert the **Battery Pack (1)** into the **Drivepack (7)**, hold the **Drivepack (7)** in one hand and **Battery Pack (1)** in the other hand. Make sure the **connector to the Drivepack (5)** is facing the **battery slot (8)**. Bring the two together and gently let the **Battery Pack (1)** slip into the **battery slot (8)** of the **Drivepack (7)** (**Action A**). Once the **Battery Pack (1)** is completely inserted, the **fastening lid (6)** will automatically lock the **Battery Pack (1)**.

To remove the **Battery Pack (1)** from the **Drivepack (7)**, press down the **fastening lid (6)** and, at the same time, pull the **Battery Pack (1)** out of the **battery slot (8)** (**Action B**).

Operation

 **Note!** The **Battery Pack (1)** is protected against short-circuit, overheating, overcharge and deep discharging. This protection may automatically shut down the the **Battery Pack (1)** if there is a risk.

Switching Battery Pack On/Off

The **Battery Pack (1)** can equally be switched on/off when inserted/non-inserted in the **Drivepack (7)**.

To **switch on** the **Battery Pack (1)**, press the **on/off button (2)**. The LEDs at the **charge-control indicator (3)** will show a start-up animation and then shortly the state-of-charge.

To **switch off** the **Battery Pack (1)**, press and hold the **on/off button (2)** for 2 s. The LEDs at the **charge-control indicator (3)** will show a shutdown animation and **Battery Pack (1)** will switch off.

If your eBike reaches inactivity, your **Battery Pack (1)** will switch off to save the remaining energy (see **Drivepack Inactivity Instructions**). Equally, if a standalone **Battery Pack (1)** spends 12 h without being inserted in a **Drivepack (7)**, connected to a Charger or having its button pushed, it will switch off to save the remaining energy

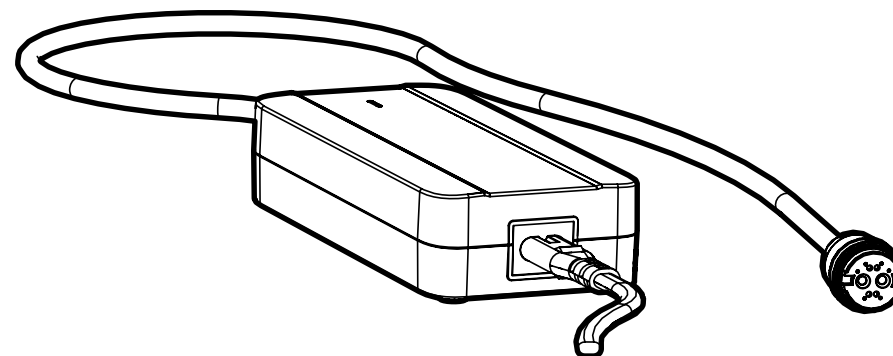
Good practices for your Battery Pack

Note! Storing the **Battery Pack (1)** discharged for a long period can severely damage your Battery Pack or strongly reduce its capacity.

- The life of your **Battery Pack (1)** can be prolonged if it is properly maintained. Pay attention to the operation and storing temperatures.
- Do not leave the **Battery Pack (1)** permanently connected to the Charger.
- Charge your **Battery Pack (1)** to a 60% state-of-charge before leaving it unused for a long time. Check the **Battery Pack (1)** again after 6 months and, if state-of-charge is 20% or less, charge it again until 60%.
- Storage time on 60% state-of-charge:
 - 1 month : -20~60°C
 - 3 months : -20~45°C
 - 1 year : -20~25°C
- Store the **Battery Pack (1)** at a dry, well-ventilated location. A temperature between +5°C and +20°C is optimum.
- If weather conditions are not favorable, remove **Drivepack (7)** and **Battery Pack (1)** from the eBike and keep enclosed until next use.
- It is not recommended to store the **Battery Pack (1)** in the eBike.

evATION I.0

Charger



Safety instructions

! **Important!** Please read carefully the safety warnings **!** and instructions for all components of the drive system as well as your eBike.

! **Important!** Read the safety instructions carefully. Negligence in following these safety instructions could cause electric shocks, fire or severe injuries.

Keep all safety warnings and instructions for the future.

- !** **Keep your charger away from water or moisture.** Otherwise there is a high risk of electric shock.
- !** **Charge only original evation Battery Packs approved by the eBike manufacturer.** Otherwise there is risk of fire and explosion.
- !** **Do not open the Charger.** It must only be opened by qualified experts and repaired with original spare parts.
- !** **Check the Charger, cable and plug before each use. If you detect damage, do not use it.** There is a high risk of electric shock.
- !** **Keep your Charger clean.** Dirt on the Charger increases the risk of electric shock.
- !** **Keep the Charger and Battery Pack away from flammable materials. Make sure the Charger and Battery Pack are dry and placed in a fireproof area when charging.** Heat produced while charging may cause fire.
- !** **Be careful when touching the charger while charging or right after the charging is over.** The charger may heat up considerably.
- !** **Do not leave the Charger unattended when charging.**
- !** **Persons not capable of safely operating the charger may only use the Charger under supervision.**
- !** **Keep the Charger out of reach of children.**
- !** **Fumes may come out of the Battery if damaged.** Provide fresh air and seek medical assistance in case of discomfort.

! **Keep the Battery Pack and Charger away from pacemakers. Magnetic plugs can affect their functionality.**

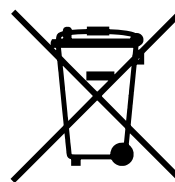
Cleaning, Maintenance and Service

Keep all components of your eBike and the drive system clean. Pay special attention to pins and interfaces between Battery Pack and Drivepack as well as Drivepack and Bottom Bracket. Make sure they are completely dry before each use.

Keeping the Drivepack radiator clean will improve his cooling performance. Grease up your lock every few months or when its operation becomes rougher over time. Do not submerge or clean with high-pressure cleaner any drive system component. Clean all drive system components carefully with a cloth or a soft brush.

For information about servicing your drive system, contact your FAZUA Service Partner or visit the FAZUA Service Platform (www.fazua.com/service).

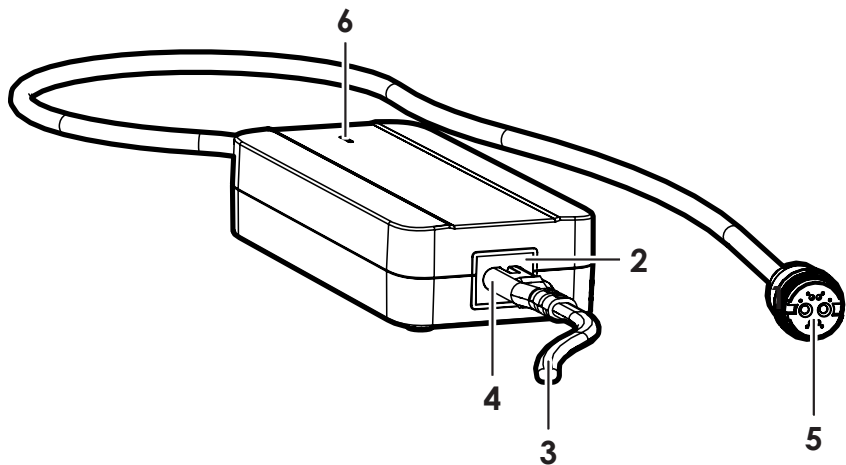
Disposal



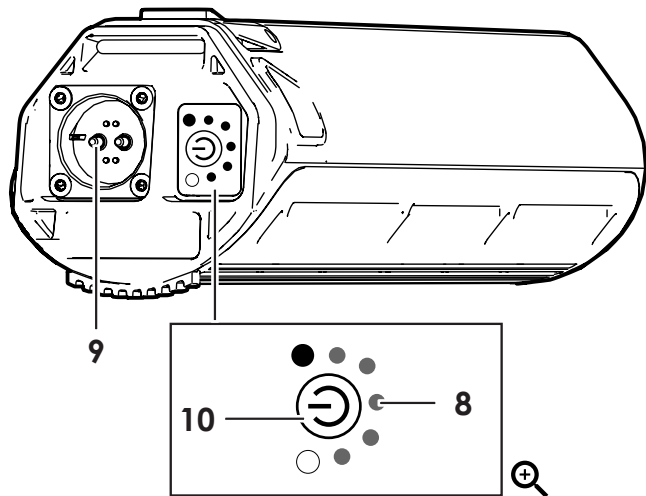
Bottom Bracket, Drivepack, Remote, Battery, Charger, accessories and packaging should be disposed of in an environmentally appropriate manner. Don't throw e-Bikes and components into domestic waste.

EU countries only: According to EU directive 2012/19/EU broken electric devices and according to EU directive 2006/66/EG used batteries must be stored separately and disposed of in an environmentally appropriate manner.

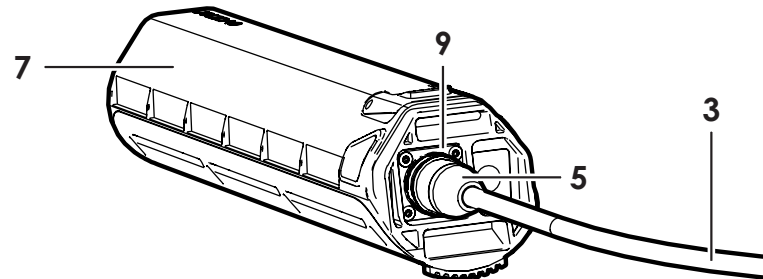
Charger 1



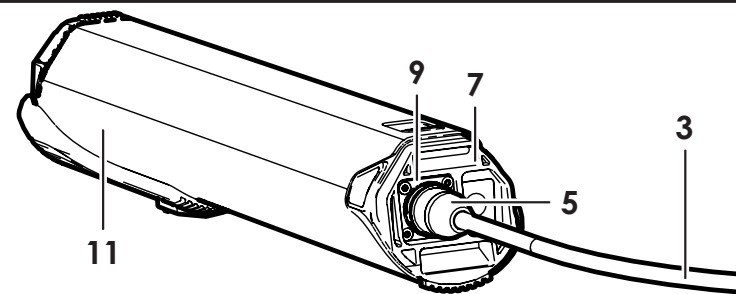
Battery Pack 7



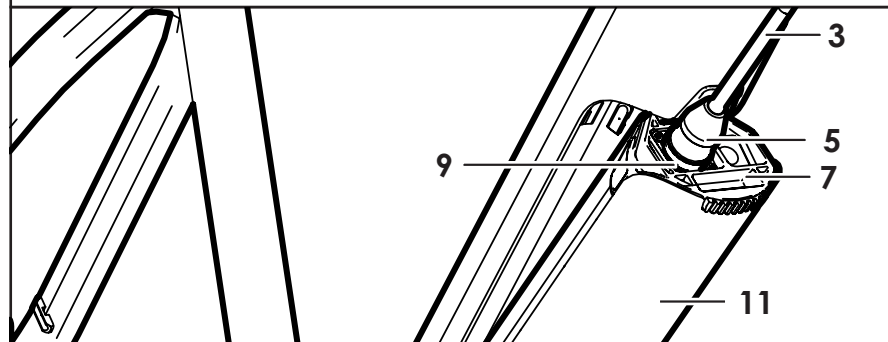
Action A



Action B



Action C



Description and Specifications

Features

The numbering refers to the illustrations shown at the beginning of the manual. The illustrations show the different components belonging to the Charger and other FAZUA modules. Individual illustrations in the manual might differ slightly from the real parts depending on the equipment of your eBike.


1. Charger
2. Power socket
3. Power cord
4. Power plug
5. Charge connector
6. Charger LED indicator
7. Battery Pack
8. Charge-control indicator
9. Socket for charge connector
10. On/off button
11. Drivepack


Specifications

Lithium-ion Battery Pack 7000		
Article number		01-2018-005
Rated Input Voltage	V AC	100 ... 240
Frequency	Hz	50 ... 60
Output Voltage	V DC	42
Charging Current	A	2
Charging time (aprox)	h	3.5
Operating temperature	°C	-20 ... +60
Storage temperature	°C	-20 ... +60
Degree of protection		IP 54
Weight , approx.	kg	0.6

Operation


 **Warning!** Monitor the mains voltage. The voltage supplied to the **Charger (1)** must be in the range defined in the specifications.

 **Warning! Read carefully and observe the battery instructions. Warning! Pay attention to your battery before each use and before charging. Make sure terminals and surfaces are clean.**

 **Warning! Before using or charging your Battery Pack, always look for signs of damage like cracks or burns. Never use or charge a damaged Battery.** Please contact your FAZUA Service Partner or visit the Fazua Service Platform (www.fazua.com/service).

Connecting the Charger to the mains

Connect the **power plug (4)** of the **power cord (3)** to the **power socket (2)** of the **Charger (1)**. Then connect the mains cable (country-specific) to the mains supply.

 **Note!** Charge the **Battery Pack (7)** only when all safety instructions are followed. Otherwise, stop and make sure all the safety instructions are followed before starting the charge.

Connecting the Charger to a standalone Battery Pack

Connect the **charge connector (5)** of the **Charger (1)** into the **charge plug (9)** of your **Battery Pack (7)** (**Action A**).

Connecting the Charger to a Battery Pack inserted in a Drivepack

The **Battery Pack (7)** can be charged either standalone or when inserted in the **Drivepack (11)** (See **Drivepack Instructions**).

Connect the **charge connector (5)** of the **Charger (1)** into the **charge plug (9)** of your **Battery Pack (7)** inserted in the **Drivepack (11)** (**Action B**).

Connecting the Charger to a Battery Pack on the eBike

You can charge your **Battery Pack (7)** when mounted on the eBike.

First, set the **Drivepack (11)** in the charging position on your eBike (see **Assembly Instructions of Drivepack**).

Then connect the **charge connector (5)** of the **Charger (1)** into the **charge plug (9)** of your **Battery Pack (7)** mounted in the eBike (**Action C**).

Charging Process

The charge will start as soon as the **charge connector (5)** of your **Charger (1)** is plugged into the **charge socket (9)** of your **Battery Pack (7)**.

The charging state is shown via **charge-control indicator (8)** on the **Battery Pack (7)**. The LEDs of the **charge-control indicator (8)** will light up according to the actual state-of-charge. Each LED indicates 20% of the capacity, being fully charged when the 5 LEDs light up.

Once the **Battery Pack (7)** is fully charged, the LEDs at the **charge-control indicator (8)** turn off. The charging status can now be checked by briefly pressing the **on/off button (10)** on your **Battery Pack (7)**.

When the charging process is finished, disconnect then the **Charger (1)** from the mains, and the **Battery Pack (7)** from the **Charger (1)**.

evATION 1.0

Manufacturer's Warranty



Manufacturer's Warranty

FAZUA GmbH, domiciled at Hofmannstr. 61, 81379 Munich, (hereinafter referred to as the "Manufacturer") warrants to the end customer (hereinafter referred to as the "Customer"), in accordance with the provisions set forth below, that the drive system integrated in the bicycle purchased by the Customer within the European Union (as of 1 January 2017) or Switzerland (hereinafter referred to as the "Territorial Scope"), including the components of said drive system, (hereinafter collectively referred to as the "Product") will remain free of construction, material and manufacturing defects and be fully functional for a period of two years following delivery (warranty period).

However, in the event that a defect should occur, or if the drive system does not remain fully functional, the Manufacturer shall, at its own discretion, remedy the defect(s) at its own expense by either performing repairs or providing new or refurbished parts.

The legal rights of the Customer in the case of defects provided for under Section 437 German Civil Code (BGB) shall not be affected thereby, nor shall they be restricted by this warranty.

However, claims under this warranty shall only be deemed valid if:

- The Product does not exhibit any damage or signs of wear caused by a form of use deviating from normal intended use or the specifications provided by the Manufacturer in the user manual.
- The Product does not exhibit any signs indicating that repairs or other procedures were performed by a specialist shop not authorized by the Manufacturer.
- The serial number has not been removed or rendered illegible.

Claims under this warranty require that, prior to returning the Product, the Customer contact either the dealer from whom the Customer purchased the bicycle or the Manufacturer, and that the Customer give said party an opportunity to perform a fault analysis over the telephone within a period of eight days.

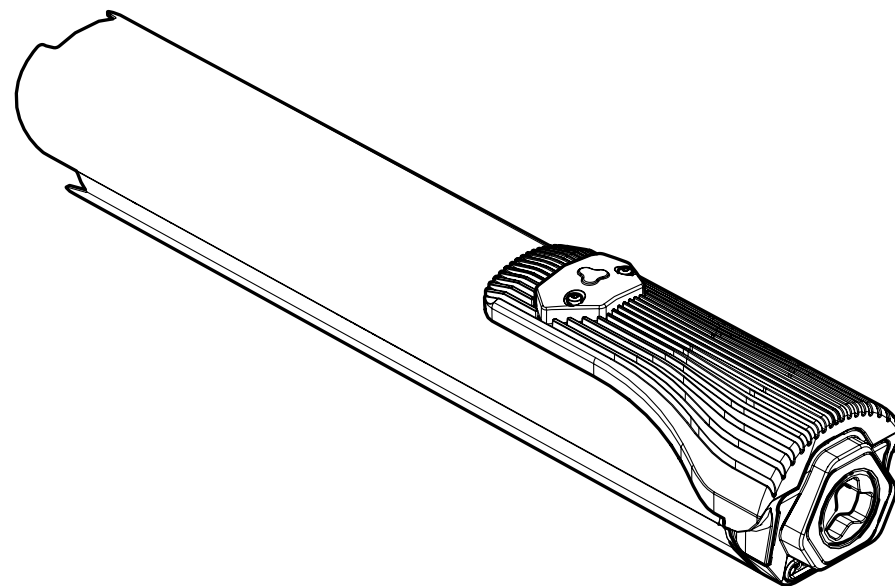
Claims under this warranty can then only be honored if the Product is delivered or returned to the Manufacturer. Claims under this warranty also require presentation of the original invoice containing the date of purchase. The Manufacturer shall bear the costs for shipping the Product. If the Manufacturer or dealer has designated a specific carrier for shipment and the Customer nevertheless uses a different carrier, the Customer shall bear the additional cost incurred thereby.

In the event of resale, this warranty shall also apply within the aforementioned scope and under the conditions stated above (including the requirement to provide proof of purchase) to any subsequent future owner of the Product located within the Territorial Scope.

This warranty is subject to the law of the Federal Republic of Germany, provided that mandatory consumer protection regulations in the country of the respective Customer are not in conflict therewith.

evATION 1.0

Drivepack 25 km/h




de Originalanleitung

 FAZUA

Sicherheitshinweise











Wichtig! Lesen Sie bitte die Sicherheitshinweise (durch  gekennzeichnet) und Anweisungen zu den Komponenten des Antriebssystems und des eBikes sorgfältig durch.



Wichtig! Lesen Sie die **Sicherheitshinweise sorgfältig durch**. Bei Nichtbeachtung der Sicherheitshinweise kann es zu einem elektrischen Schlag, Feuer oder schweren Verletzungen kommen.

Bewahren Sie alle Sicherheitshinweise und Anleitungen für zukünftigen Gebrauch auf.

-  **Öffnen Sie nicht eigenmächtig das Antriebspack.** Das Antriebspack benötigt keine Wartung. Es darf nur von Fachpersonal geöffnet und sollte nur mit originalen Ersatzteilen repariert werden. Durch unberechtigtes Öffnen des Systems erlischt der Gewährleistungsanspruch.
-  **Die Komponenten, aus denen sich das Antriebspack und das eBike zusammensetzen, dürfen nur durch baugleiche oder andere, ausdrücklich vom eBike-Hersteller zugelassene Bauteile ersetzt werden.** Dies schützt das Antriebspack vor möglichen Beschädigungen.
-  **Die Modifizierung des Antriebspacks sowie der Einbau von anderen, nicht freigegebenen Produkten mit dem Zweck, die Leistung zu steigern, ist unzulässig.**
-  **Vor Transport, Lagerung und allen Arbeiten am eBike muss das Antriebspack stets entfernt werden.** Anderenfalls kann es in Folge einer unbeabsichtigten Aktivierung des Antriebspacks zu Unfällen kommen.
-  **Vorsicht beim Umgang mit dem Kühler des Antriebspacks.** Der Kühler kann extrem heiß werden. Verbrennungsgefahr!
-  **Die Funktion "Schiebeunterstützung" darf nur beim Schieben des eBikes verwendet werden.** Die Verwendung dieser Funktion ohne Bodenkontakt der Räder kann zu Verletzungen führen.
-  **Es dürfen nur originale, vom eBike-Hersteller zugelassene evation Akkus verwendet werden.** Bei Verwendung von nicht zugelassenen Akkus besteht Brand- oder Verletzungsgefahr. Für die Verwendung von nicht zugelassenen Akkus übernimmt FAZUA keine Haftung.
-  **Die geltenden nationalen Vorschriften bezüglich eBikes und Pedelecs sind zu beachten.**

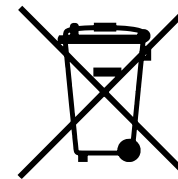
Reinigung, Wartung und Service

Alle Komponenten des eBikes und des Antriebssystems sollten in einem sauberen Zustand gehalten werden. Dabei ist besonders auf die Kontakte und Schnittstellen zwischen Akku und Antriebspack sowie Antriebspack und Tretlager zu achten. Diese Stellen sind vor jeder Benutzung vollständig abzutrocknen.

Ein sauberer Kühler am Antriebspack kann seine Funktion besser erfüllen. Das Schloss sollte alle zwei bis drei Monate neu eingefettet werden, oder sobald es sich nicht mehr bequem bedienen lässt. Die Komponenten des Antriebssystems dürfen keinesfalls in Wasser getaucht oder mit einem Hochdruckreiniger gesäubert werden. Die Komponenten müssen mit einem Tuch oder einer weichen Bürste schonend gereinigt werden.

Für weitere Informationen über die Wartung für Ihr Antriebssystem, wenden Sie sich bitte an Ihren FAZUA Service-Partner oder besuchen Sie die FAZUA Service-Plattform (www.fazua.com/service).

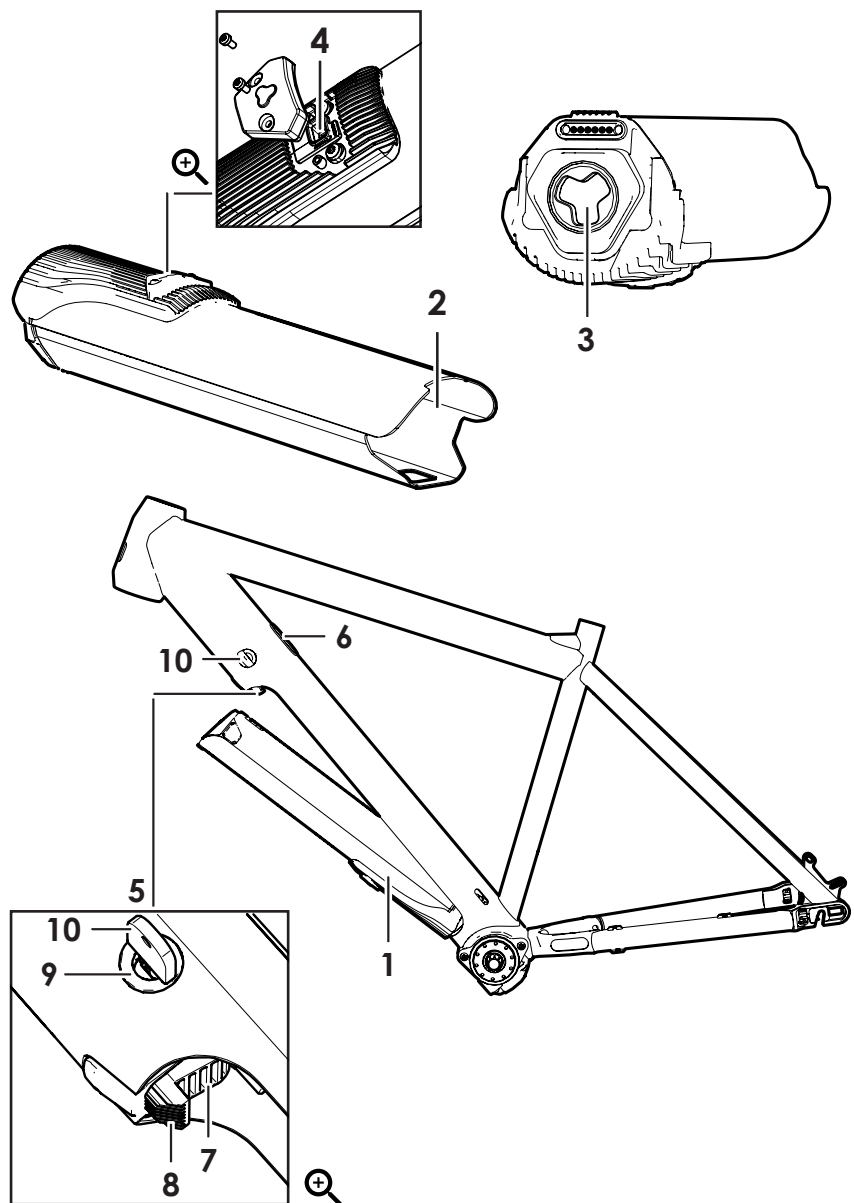
Entsorgung



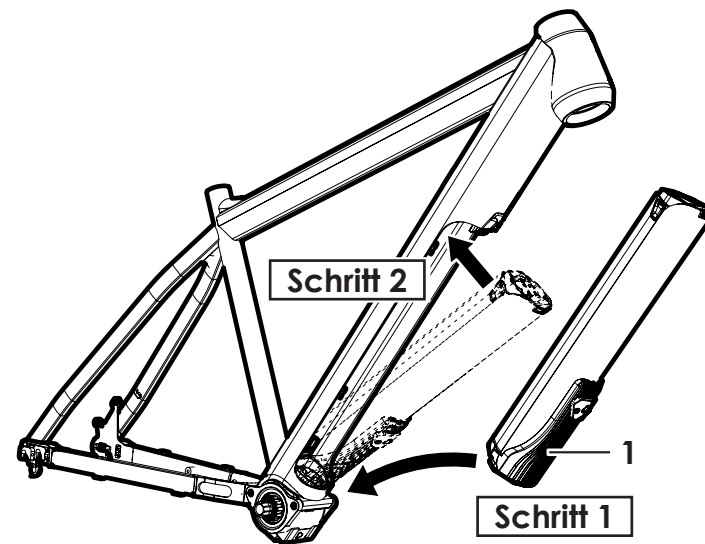
Tretlager, Antriebspack, Remote, Akku, Ladegerät, Zubehör und Verpackung müssen auf umweltgerechte Weise entsorgt werden. Weder eBikes noch ihre Komponenten gehören in den Hausmüll!

Nur in EU-Ländern: Elektro-Altgeräte (Richtlinie 2012/19/EU) sowie Altakkumulatoren (Richtlinie 2006/66/EG) müssen getrennt gesammelt und umweltgerecht entsorgt werden.

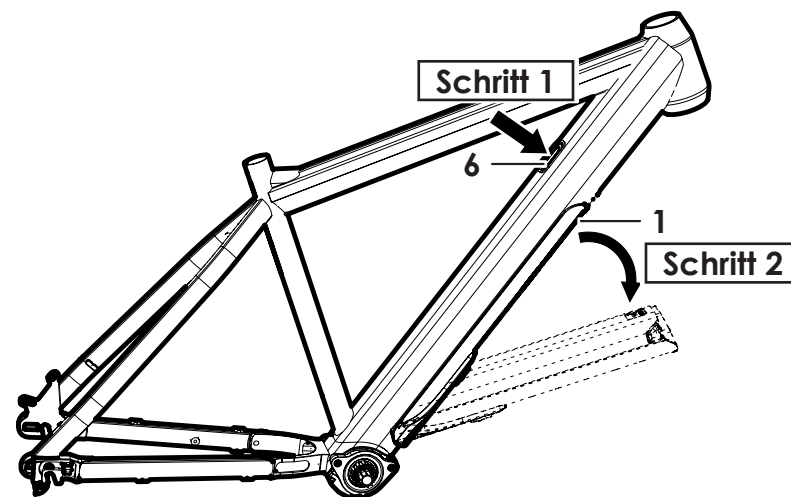
Antriebspack 1

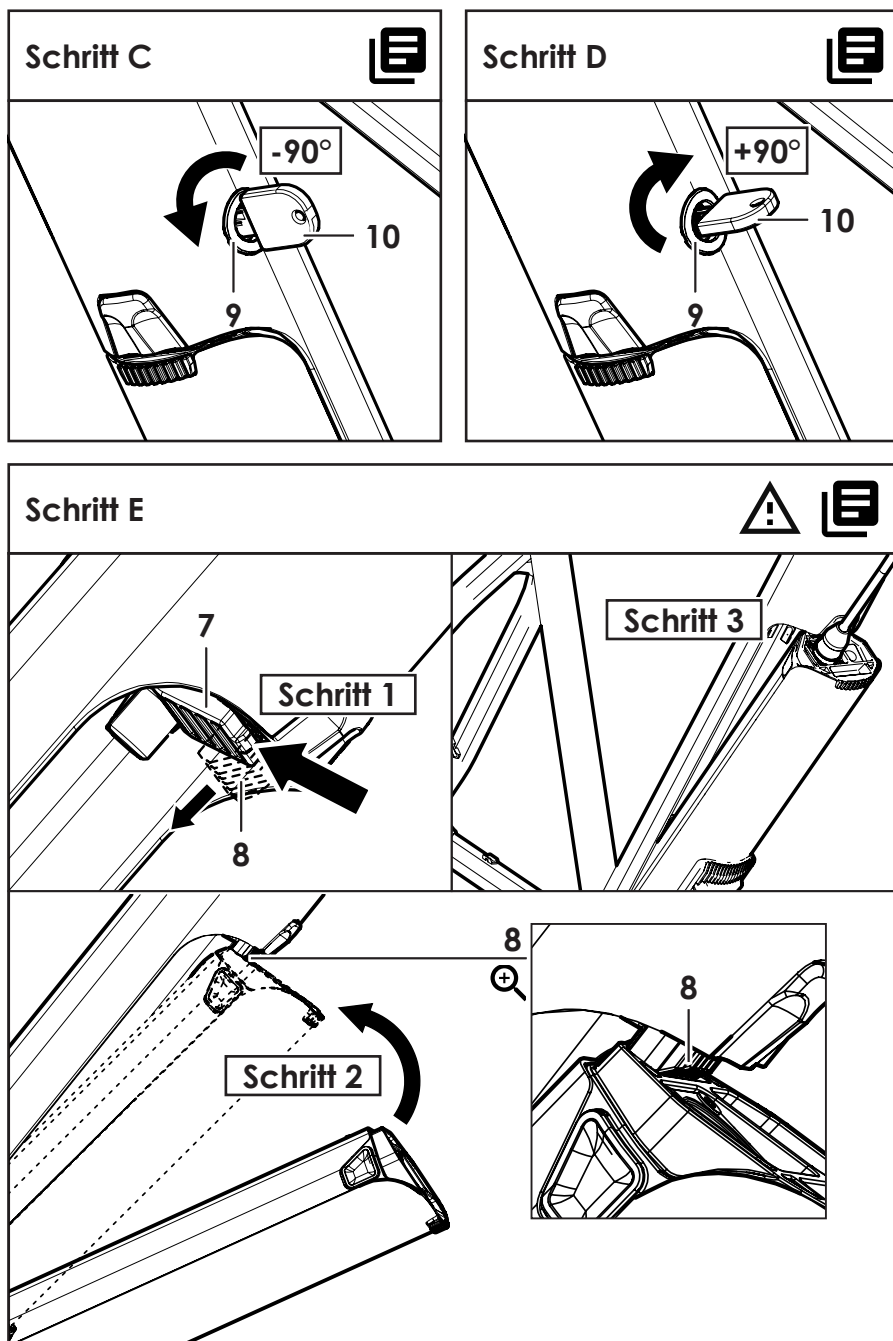


Schritt A



Schritt B





Beschreibung und technische Daten

Bestimmungszweck

Das Antriebspack ist ausschließlich zur Verwendung während der Fahrt mit einem eBike bestimmt und darf nicht für andere Zwecke verwendet werden.

Bestandteile

Die Nummerierung der Bestandteile bezieht sich auf die am Anfang der Anleitung befindlichen Abbildungen. Diese Abbildungen zeigen die verschiedenen Bauteile, die zu dem Antriebspack und den anderen FAZUA-Modulen gehören. Je nach Ausstattung Ihres eBikes können die Darstellungen in dieser Anleitung von den Bauteilen an Ihrem eBike abweichen.

1. Antriebspack
2. Akkuaufnahme
3. Schnittstelle zum Tretlager
4. USB-Anschluss
5. Schloss des Antriebspacks
6. Druckknopf
7. Ausgleichskeil
8. Rasthaken
9. Zylinder
10. Schlüssel

Technische Daten

Antriebspack		
Artikelnummer		01-2018-001
Nenndauerleistung	W	250
max. Leistung	W	400
Drehmoment an der Kette, max.	Nm	60
Nennspannung	V	36
Betriebstemperatur	°C	-20 ... +60
Lagertemperatur	°C	-20 ... +60
Schutzart		IP 54
Gewicht, ca.	kg	2

Montage

Ein- und Ausbau des Akkus

Zum Ein- und Ausbau des Akkus am eBike, beachten Sie die **Benutzeranleitung für den Akku**.

Einbau des Antriebspacks in das eBike

Nach Einsetzen des Akkus in das **Antriebspack (1)** (siehe **Benutzeranleitung Akku**) die **Schnittstelle zum Tretlager (3)** vor die freie Schnittstelle am Tretlager positionieren (**Schritt A, Teilschritt 1**), direkt unter dem Unterrohr des eBikes.

Danach das obere Ende des **Antriebspacks (1)** in das Unterrohr schwenken, bis der **Rasthaken (8)** einrastet (**Schritt A, Teilschritt 2**). Prüfen Sie das **Antriebspack (1)** auf festen Sitz.

Ausbau des Antriebspacks aus dem eBike

! **Wichtig!** Beim Ausbau das **Antriebspack (1)** festhalten, da das **Antriebspack (1)** sonst aus dem Rahmen fallen kann.

Das **Antriebspack (1)** mit einer Hand festhalten und mit der anderen Hand auf den **Druckknopf (6)** drücken (**Schritt B, Teilschritt 1**). Das **Antriebspack (1)** kann jetzt leicht entfernt werden (**Schritt B, Teilschritt 2**).

🗨 **Tipp!** Zum leichteren Ausbau, das **Antriebspack (1)** vor Betätigung des **Druckknopfs (6)** fest gegen den Rahmen drücken.

Ab- und Aufsperrn des montierten Antriebspacks

Nach Einbau des **Antriebspacks (1)** in das eBike kann das **Antriebspack (1)** zum Schutz gegen Diebstahl abgesperrt werden. **Zum Absperren** des montierten **Antriebspacks (1)**, den **Schlüssel (10)** in den **Zylinder (9)** einführen und **gegen den Uhrzeigersinn** drehen (**Schritt C**).

Zum Aufsperrn des **Antriebspacks (1)** am eBike, den **Schlüssel (10)** in den **(8) Zylinder (9)** einführen und **im Uhrzeigersinn** drehen (**Schritt D**).

Aufladung des Akkus im eBike

⚠ **Warnung!** Die **Benutzeranleitung für den Akku** ist **sorgfältig durchzulesen** und den darin enthaltenen **Anweisungen Folge zu leisten!** **Warnung!** **Vor Gebrauch und Aufladung den Akku immer überprüfen.** **Alle Anschlüsse und Oberflächen müssen sauber sein.**

⚠ **Warnung!** **Vor Gebrauch und Aufladung muss der Akku immer auf sichtbare Schäden, wie z.B. Risse oder Brandflecken, geprüft werden.** **Beschädigte Akkus niemals verwenden oder aufladen!** Für weitere Informationen, wenden Sie sich bitte an Ihren FAZUA Service-Partner oder besuchen Sie die FAZUA Service-Plattform (www.fazua.com/service).

Sie können das **Antriebspack (1)** so in das eBike einbauen, dass die Ladebuchse am Akku für die Verbindung mit dem Ladegerät noch frei zugänglich ist. Dazu das **Antriebspack (1)** zunächst aus dem eBike ausbauen (**Schritt B**). Den **Ausgleichskeil (7)** gegen das **Schloss (5)** drücken. Dadurch fährt der **Rasthaken (8)** aus (**Schritt E, Teilschritt 1**). Das **Antriebspack (1)** nun wieder in das eBike einbauen, ohne das obere Ende ganz in das Unterrohr zu schwenken (**Schritt E, Teilschritt 2**). So wird das **Antriebspack (1)** vom **Rasthaken (8)** arretiert, ohne völlig in den Rahmen eingesetzt werden zu müssen.

Bedienung

Voraussetzungen

Folgende Voraussetzungen müssen zur Bedienung des eBike-Antriebssystems erfüllt sein:

- Der Akku ist ausreichend geladen, korrekt eingesetzt und eingeschaltet (siehe **Benutzeranleitung Akku**).
- Das **Antriebspack (1)** ist im eBike eingebaut.
- Der Speedsensor ist mit dem Tretlager ordnungsgemäß verbunden und der Speichemagnet in der richtigen Position (siehe **Benutzeranleitung Tretlager**).

Ein- und Ausschalten des eBike-Systems

Die Bedienung des Systems erfolgt über ein von FAZUA zugelassenes Remote. Nach Einbau des **Antriebspacks (1)** in das eBike können Sie das System durch Betätigung einer der Remote-Tasten **einschalten** (siehe **Benutzeranleitung Remote**).

Die Systemleistung wird mithilfe der Einstellungen zur Tretunterstützung am Remote bestimmt.

Die Tretunterstützung wird sanft ausgeschaltet, sobald Sie nicht mehr in die Pedale treten bzw. wenn Sie eine Geschwindigkeit von 25 km/h erreichen. Wenn Sie wieder in die Pedale treten und die Geschwindigkeit 25 km/h unterschreitet, schaltet sich das System wieder ein.

Zum **Ausschalten** des Systems stehen Ihnen mehrere Möglichkeiten zur Verfügung. Sie können:

- die Mitteltaste am Remote 2 Sekunden gedrückt halten (siehe **Benutzeranleitung Remote**),
- das **Antriebspack (1)** aus dem eBike ausbauen,
- den Akku ausschalten (siehe **Benutzeranleitung Akku**), oder
- das eBike in den Stillstand bringen.

Tretunterstützung einstellen

Mit dem Remote können Sie den gewünschten Grad der Tretunterstützung durch die eBike-Funktion einstellen. Die Tretunterstützung kann jederzeit, auch während der Fahrt, eingestellt werden. Um die Einstellung zu ändern, drücken Sie die obere/untere Taste am Remote (siehe **Benutzeranleitung Remote**).

Die folgenden Unterstützungsstufen sind möglich:

- **keine Unterstützung (weiß)**: Unterstützung durch den Motor ist deaktiviert. Das eBike kann wie ein gewöhnliches Fahrrad benutzt werden.
- **Breeze (grün)**: geringe aber wirksame Unterstützung für eine maximale Reichweite.
- **River (blau)**: zuverlässige Unterstützung für die meisten Anwendungsfälle.
- **Rocket (rosa)**: maximale Unterstützung für sehr anspruchsvolle Touren.

Unterstützungsstufe	Farbe	max. Unterstützungsfaktor	max. Leistung
keine	weiß	0 %	0 W
Breeze	grün	75 %	125 W
River	blau	150 %	250 W
Rocket	rosa	240 %	400 W

Modus „Schiebeunterstützung“ ein-/ausschalten

Die Schiebeunterstützung erleichtert das Schieben des eBikes. Die Geschwindigkeit des eBikes im Modus „Schiebeunterstützung“ kann bis zu max. 6 km/h, je nach eingelegtem Gang, variieren. Der Benutzer kann die Geschwindigkeit des eBikes auf sein eigenes Gehtempo abbremesen, indem er das eBike beim Schieben feste hält.

⚠️ Warnung! Der Modus "Schiebeunterstützung" ist nur zur Verwendung beim Schieben des eBikes bestimmt. Bei jedem anderen Gebrauch besteht Verletzungsgefahr.

Um den Modus „Schiebeunterstützung“ zu **aktivieren**, stellen Sie mit dem Remote die Trethilfestufe „keine“ ein (siehe **Benutzeranleitung Remote**). Danach die untere Taste am Remote gedrückt halten. Nach 2 Sekunden wird die Schiebeunterstützung aktiviert.

⚠️ Warnung! Halten Sie bei Verwendung dieser Funktion den Lenker mit den Händen stets ganz fest, da Sie sonst plötzlich die Kontrolle über das eBike verlieren können.

Die Schiebeunterstützung wird in folgenden Fällen deaktiviert:

- beim Loslassen der unteren Taste,
- durch Blockierung der Räder am eBike, oder
- bei einer Geschwindigkeit von mehr als 6 km/h.

Stillstand

Sobald sich das eBike im Stillstand befindet, schaltet das System den Akku automatisch aus. Um ein stillstehendes System hochzufahren, müssen Sie den Akku einschalten (siehe **Benutzeranleitung Akku**). Das eBike befindet sich im Stillstand wenn:

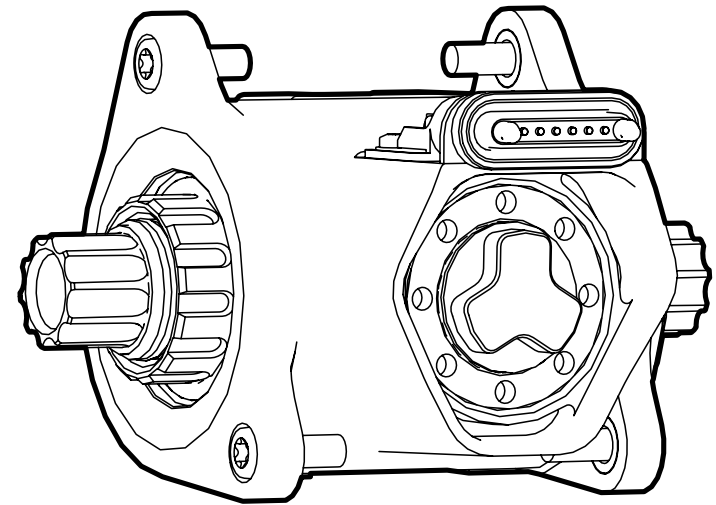
- das eBike seit 10 Stunden nicht mehr bewegt und auch keine Taste am Remote betätigt wurde, oder
- der Ladezustand des Akkus 30 % unterschreitet und das Fahrrad seit 3 Stunden nicht mehr bewegt sowie keine Taste am Remote gedrückt wurde.

Hinweise zum Fahren Ihres eBikes


- Die Gangschaltung an Ihrem eBike ist genau so zu bedienen, wie die eines normalen Fahrrads. Unabhängig von der Art der montierten Fahrradschaltung, wird beim Gangwechsel empfohlen, die Tretbewegung kurz zu unterbrechen. Hierdurch werden Schaltwerk und Antrieb entlastet.
- Durch die Wahl eines geeigneten Gangs erhöhen sich die Geschwindigkeit, Leistung und Reichweite Ihres eBikes bei gleichbleibender Trittfrequenz.
- Sie sollten sich mit Ihrem eBike schrittweise und abseits von Straßen und starkem Verkehr vertraut machen. Vor der Planung längerer Touren sollten Sie die maximale Reichweite Ihres eBikes unter verschiedenen äußeren Bedingungen testen.
- Eine genaue Aussage über die Reichweite Ihres Systems ist weder vor noch während einer Tour möglich. Mehrere Faktoren können die Reichweite Ihres eBikes beeinflussen, wie z.B.:
 - Unterstützungsstufe
 - Geschwindigkeit
 - Schaltverhalten
 - Reifenart und -druck
 - Route und Wetterbedingungen
 - Gewicht von Fahrer + Fahrrad
 - Zustand/Alter des Akkus
- Beachten Sie die Bedienungs- und Lagertemperaturen für die Bauteile Ihres eBikes – insbesondere für den Akku, da er durch extreme Temperaturen beschädigt werden kann.

evATION 1.0

Tretlager






Sicherheitshinweise

Wichtig! Lesen Sie bitte die Sicherheitshinweise (durch  gekennzeichnet) und Anweisungen zu den Komponenten des Antriebssystems und des eBikes sorgfältig durch.

Wichtig! Lesen Sie die Sicherheitshinweise sorgfältig durch. Bei Nichtbeachtung der Sicherheitshinweise kann es zu einem elektrischen Schlag, Feuer oder schweren Verletzungen kommen.

Bewahren Sie alle Sicherheitshinweise und Anleitungen für zukünftigen Gebrauch auf.

-  **Öffnen Sie nicht eigenmächtig das Tretlager.** Das Tretlager benötigt keine Wartung. Es darf nur von Fachpersonal geöffnet und sollte nur mit originalen Ersatzteilen repariert werden. Durch unberechtigtes Öffnen des Systems erlischt der Gewährleistungsanspruch.
-  **Die Komponenten, aus denen sich das Tretlager und das eBike zusammensetzen, dürfen nur durch baugleiche oder andere, ausdrücklich vom eBike-Hersteller zugelassene Bauteile ersetzt werden.** Dies schützt das Antriebssystem vor möglichen Beschädigungen.
-  **Die Modifizierung des Tretlagers sowie der Einbau von anderen, nicht freigegebenen Produkten mit dem Zweck, die Leistung zu steigern, ist unzulässig.**

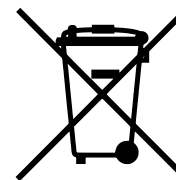
Reinigung, Wartung und Service

Alle Komponenten des eBikes und des Antriebssystems sollten in einem sauberen Zustand gehalten werden. Dabei ist besonders auf die Kontakte und Schnittstellen zwischen Akku und Antriebssystem sowie Antriebssystem und Tretlager zu achten. Diese Stellen sind vor jeder Benutzung vollständig abzutrocknen.

Ein sauberer Kühler am Antriebssystem kann seine Funktion besser erfüllen. Das Schloss sollte alle zwei bis drei Monate neu eingefettet werden, oder sobald es sich nicht mehr bequem bedienen lässt. Die Komponenten des Antriebssystems dürfen keinesfalls in Wasser getaucht oder mit einem Hochdruckreiniger gesäubert werden. Die Komponenten müssen mit einem Tuch oder einer weichen Bürste schonend gereinigt werden.

Für weitere Informationen über die Wartung für Ihr Antriebssystem, wenden Sie sich bitte an Ihren FAZUA Service-Partner oder besuchen Sie die FAZUA Service-Plattform (www.fazua.com/service).

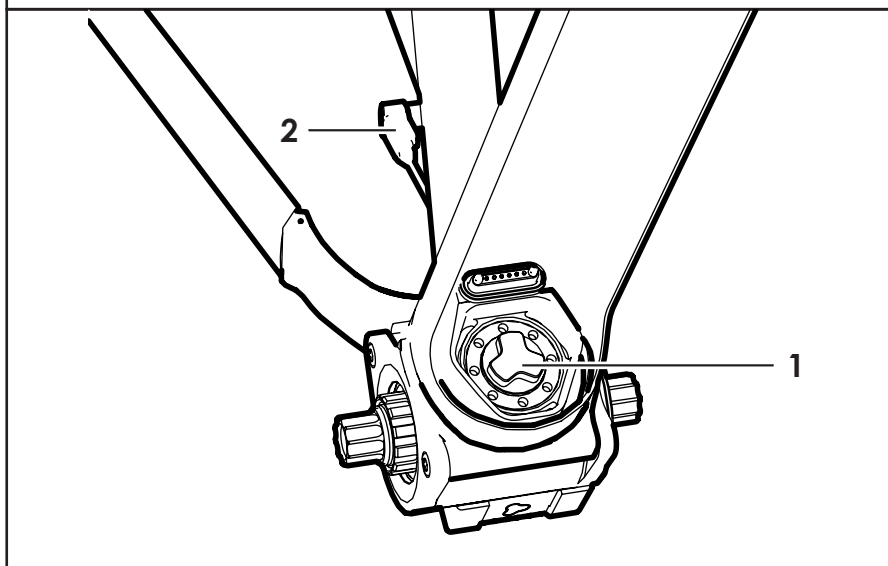
Entsorgung



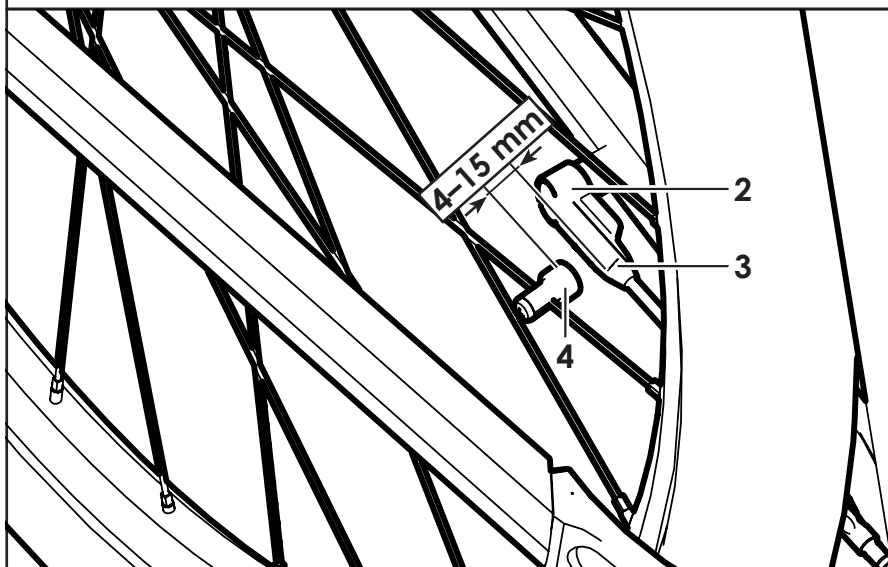
Tretlager, Antriebssystem, Remote, Akku, Ladegerät, Zubehör und Verpackung müssen auf umweltgerechte Weise entsorgt werden. Weder eBikes noch ihre Komponenten gehören in den Hausmüll!

Nur in EU-Ländern: Elektro-Altgeräte (Richtlinie 2012/19/EU) sowie Altakkumulatoren (Richtlinie 2006/66/EG) müssen getrennt gesammelt und umweltgerecht entsorgt werden.

Tretlager 1



Speedsensor 2



Beschreibung und technische Daten

Bestandteile

Die Nummerierung der Bestandteile bezieht sich auf die am Anfang der Anleitung befindlichen Abbildungen. Diese Abbildungen zeigen die verschiedenen Komponenten, die zum Tretlager gehören. Je nach Ausstattung Ihres eBikes können die Darstellungen in dieser Anleitung von den Bauteilen an Ihrem eBike abweichen.

1. Tretlager
2. Speedsensor
3. Positionsmarkierung Magnet
4. Speichemagnet Speedsensor

Technische Daten

Tretlager		
Artikelnummer		01-2018-002-01
Unterstützungsmoment, max.	Nm	60
Q-Faktor, min.	mm	135 (ohne Kurbelarme)
Betriebstemperatur	°C	-20 ... +60
Lagertemperatur	°C	-20 ... +60
Schutzart		IP 54
Kettenlinie	mm	49, 52
Gewicht, ca.	kg	1,3

Montage

Einstellung des Speedsensors

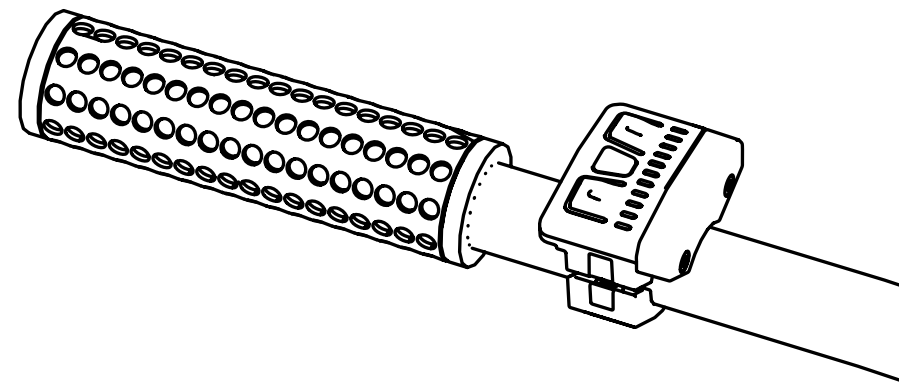
Der **Speedsensor (2)** und der **Speichemagnet (4)** müssen 2 verschiedene Voraussetzungen erfüllen:

- Der **Speichemagnet (4)** muss an der Speiche so positioniert sein, dass sich der **Magnet (4)** an der **Positionsmarkierung des Magneten (3)** frei vorbeibewegen kann.
- Der Abstand zwischen gegenüberliegendem **Speedsensor (2)** und **Speichemagnet (4)** muss im Bereich von 4 bis 15 mm liegen.

Tipp! Falls der Abstand zwischen **Speedsensor (2)** und **Speichemagnet (4)** außerhalb des vorgegebenen Bereichs liegt oder der **Speedsensor (2)** nicht korrekt angeschlossen ist, arbeitet das eBike im "Soft Fault"-Störmodus, der am Remote angezeigt wird (siehe **Benutzeranleitung Remote**). Beim Auftreten dieses Zustands müssen Sie die Schraube des **Speichemagneten (4)** lösen und den Magneten neu positionieren, damit er im richtigen Abstand an der **Markierung des Speedsensors (3)** vorbeiläuft. Wenn sich das Problem nicht mehr beheben lässt, wenden Sie sich bitte an einen autorisierten FAZUA-Händler oder besuchen Sie die FAZUA Service-Plattform (www.fazua.com/service).


evATION 1.0

Remote



Sicherheitshinweise



Wichtig! Lesen Sie bitte die Sicherheitshinweise (durch  gekennzeichnet) und Anweisungen zu den Komponenten des Antriebssystems und des eBikes sorgfältig durch.



Wichtig! Lesen Sie die Sicherheitshinweise sorgfältig durch. Bei Nichtbeachtung der Sicherheitshinweise kann es zu einem elektrischen Schlag, Feuer oder schweren Verletzungen kommen.

Bewahren Sie alle Sicherheitshinweise und Anleitungen für zukünftigen Gebrauch auf.



Öffnen Sie nicht eigenmächtig die Komponenten des Antriebssystems. Diese Komponenten benötigen keine Wartung. Sie dürfen nur von Fachpersonal geöffnet und sollten nur mit originalen Ersatzteilen repariert werden. Durch unberechtigtes Öffnen des Systems erlischt der Gewährleistungsanspruch.



Achten Sie bei der Bedienung des evation Remotes auf den Verkehr und die Umgebung. Bei unzureichender Beachtung des Verkehrs kann es zu Unfällen kommen.

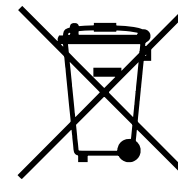
Reinigung, Wartung und Service

Alle Komponenten des eBikes und des Antriebssystems sollten in einem sauberen Zustand gehalten werden. Dabei ist besonders auf die Kontakte und Schnittstellen zwischen Akku und Antriebspack sowie Antriebspack und Tretlager zu achten. Diese Stellen sind vor jeder Benutzung vollständig abzutrocknen.

Ein sauberer Kühler am Antriebspack kann seine Funktion besser erfüllen. Das Schloss sollte alle zwei bis drei Monate neu eingefettet werden, oder sobald es sich nicht mehr bequem bedienen lässt. Die Komponenten des Antriebssystems dürfen keinesfalls in Wasser getaucht oder mit einem Hochdruckreiniger gesäubert werden. Diese Komponenten müssen mit einem Tuch oder einer weichen Bürste schonend gereinigt werden.

Für weitere Informationen über die Wartung für Ihr Antriebssystem, wenden Sie sich bitte an Ihren FAZUA Service-Partner oder besuchen Sie die FAZUA Service-Plattform (www.fazua.com/service).

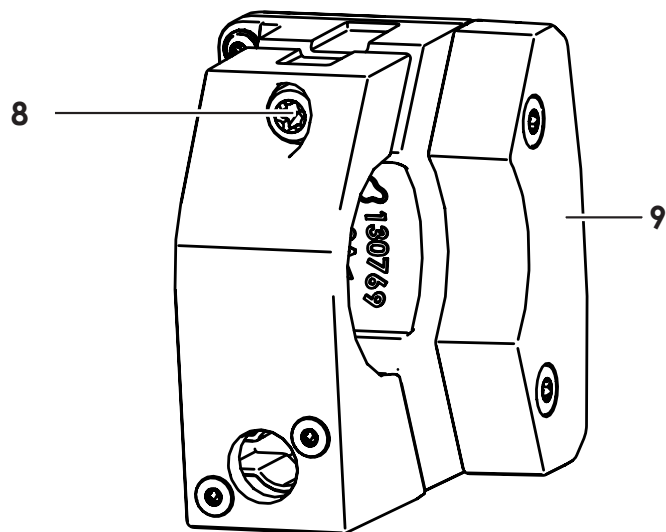
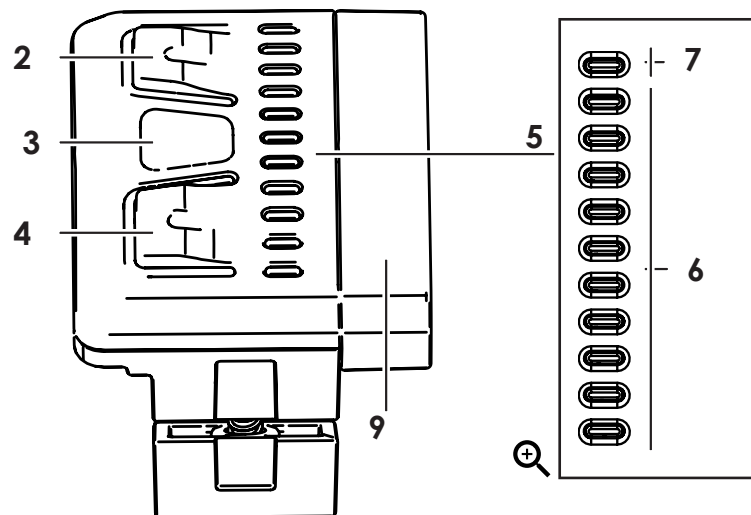
Entsorgung



Tretlager, Antriebspack, Remote, Akku, Ladegerät, Zubehör und Verpackung müssen auf umweltgerechte Weise entsorgt werden. Weder eBikes noch ihre Komponenten gehören in den Hausmüll!

Nur in EU-Ländern: Elektro-Altgeräte (Richtlinie 2012/19/EU) sowie Altakkumulatoren (Richtlinie 2006/66/EG) müssen getrennt gesammelt und umweltgerecht entsorgt werden.

Remote 1



Beschreibung und technische Daten

Bestimmungszweck

Das Remote ist zur Steuerung des FAZUA evation Antriebssystems sowie zur Anzeige einzelner Fahrtdaten bestimmt. Eine Verwendung zu anderen Zwecken ist nicht zulässig.

Bestandteile

Die Nummerierung der Bestandteile bezieht sich auf die am Anfang der Anleitung befindlichen Abbildungen. Diese Abbildungen zeigen die verschiedenen Komponenten, die zum Remote gehören. Je nach Ausstattung Ihres eBikes können die Darstellungen in dieser Anleitung von den Bauteilen an Ihrem eBike abweichen.

1. Remote
2. obere Taste
3. Mitteltaste
4. untere Taste
5. Anzeigeleiste
6. Anzeige Ladezustand / Tretunterstützung
7. Statusanzeige
8. Befestigungsschraube
9. Erweiterungsanschluss

Technische Daten

Remote		
Artikelnummer		01-2018-003
Betriebstemperatur	°C	-20 ... +60
Lagertemperatur	°C	-20 ... +60
Schutzart		IP 54
Gewicht, ca.	kg	0,075

Bedienung

Voraussetzungen

Folgende Voraussetzungen müssen zur Bedienung des eBike-Antriebssystems erfüllt sein:

- Der Akku ist ausreichend geladen, korrekt eingesetzt und eingeschaltet (siehe **Benutzeranleitung Akku**).
- Das Antriebspack ist im eBike eingebaut.
- Der Speedsensor ist mit dem Tretlager ordnungsgemäß verbunden und der Speichemagnet in der richtigen Position (siehe **Benutzeranleitung Tretlager**).

Ein- und Ausschalten des eBike-Systems

Zum **Einschalten** des eBikes drücken Sie **eine der Tasten am Remote (2,3,4)**. Daraufhin zeigt das **Remote (1)** die Startanimation und wechselt in die Betriebsbereitschaft.

Zum **Ausschalten** des eBikes über das **Remote (1)** müssen Sie die **Mitteltaste (3)** am **Remote (1)** 2 Sekunden lang gedrückt halten.

Alternativ können Sie Ihr eBike auch folgendermaßen ausschalten:

- das Antriebspack aus dem eBike ausbauen (siehe **Benutzeranleitung Antriebspack**),
- den Akku ausschalten (siehe **Benutzeranleitung Akku**), oder
- das Fahrrad in den Stillstand bringen (siehe **Benutzeranleitung Antriebspack**).

 **Tipp!** Das eBike nach Abstellen immer ausschalten.

Remote-Anzeige

Die **Anzeigeleiste (5)** am **Remote (1)** besteht aus 11 LEDs.

- Die oberste LED dient als **Statusanzeige (7)**, die Sie über den Status Ihres eBikes informiert.
- Die restlichen 10 LEDs dienen als **Anzeige für den Ladezustand und die Tretunterstützung (6)**.

Anzeige Ladezustand/Tretunterstützung

Die **Anzeige Ladezustand/Tretunterstützung (6)** zeigt 2 Parameter an:

- den Ladezustand des Akkus und
- die gewählte Tretunterstützung durch Ihr eBike.

Der Ladezustand des Akkus ist an der Anzahl der leuchtenden LEDs erkennbar. Jede einzelne LED stellt 10 % der gesamten Ladekapazität dar. Bei einem voll aufgeladenen Akku leuchten alle 10 LEDs. Wenn der Akku aber leer ist, leuchten keine LEDs auf.


Die gewählte Tretunterstützung wird über die Farbe der **Anzeige (6)** visualisiert. Diese **Anzeige (6)** kann vier verschiedenen Farben darstellen, die wiederum vier unterschiedliche Stufen der Tretunterstützung repräsentieren.

Statusanzeige

Die **Statusanzeige (7)** zeigt einen Statuswechsel oder eine anliegende Störung an. Die Statusanzeige leuchtet nicht, wenn keine Störung erkannt wird.

Die verschiedenen Farben der **Statusanzeige (7)** haben folgende Bedeutung:

- **grün:** Die **Statusanzeige (7)** blinkt nach erfolgreichem Einbau des Antriebspacks in das eBike kurz grün auf. So erhalten Sie ein optisches Signal dafür, dass das System jetzt eingeschaltet werden kann.
- **gelb:** Die **Statusanzeige (7)** leuchtet beim Auftreten eines "**Soft Fault**" kurz gelb auf. Dies bedeutet, dass eine vorübergehende oder unkritische Störung anliegt, die in den meisten Fällen zu einer Leistungseinbuße führt. Bei einem "**Soft Fault**" können Sie weiterhin mit Ihrem eBike fahren. Allerdings wird dies nicht empfohlen.
- **rot:** Die **Statusanzeige (7)** leuchtet beim Auftreten eines "**Hard Fault**" rot auf. Beim Auftreten eines "**Hard Fault**", lässt sich das eBike nicht mehr bedienen und muss gewartet werden.

 **Tipp!** "**Soft Faults**" am eBike sind am häufigsten auf fehlende Daten vom Speedsensor zurückzuführen (siehe **Montagehinweise zum Tretlager**).

Im Falle eines dauerhaft angezeigten „**Soft Faults**“ können Sie den Magneten des Speedsensors neu montieren (siehe **Benutzeranleitung Tretlager**). Falls das Problem weiterhin besteht, wenden Sie sich bitte an Ihren FAZUA Service-Partner oder besuchen Sie die FAZUA Service-Plattform (www.fazua.com/service).

Bei einem dauerhaft angezeigten „**Hard Fault**“, kontaktieren Sie bitte Ihren FAZUA Service-Partner oder besuchen Sie die FAZUA Service-Plattform (www.fazua.com/service).

Tretunterstützung einstellen

Mit dem **Remote (1)** können Sie den gewünschten Grad der Tretunterstützung durch das eBike Antriebssystem einstellen. Die Tretunterstützung kann jederzeit, auch während der Fahrt, eingestellt werden. Um die Einstellung zu ändern, drücken Sie die **obere/untere Taste (2,4)** am **Remote (1)**.

Die folgenden Unterstützungsstufen sind möglich:

- **keine Unterstützung (weiß)**: Unterstützung durch den Motor ist deaktiviert. Das eBike kann wie ein gewöhnliches Fahrrad benutzt werden.
- **Breeze (grün)**: effiziente Unterstützung für eine maximale Reichweite.
- **River (blau)**: zuverlässige Unterstützung für die meisten Anwendungsfälle.
- **Rocket (rosa)**: maximale Unterstützung für sehr anspruchsvolle Touren.


Unterstützungsstufe	Farbe	max. Unterstützungsfaktor	max. Leistung
keine	weiß	0 %	0 W
Breeze	grün	75 %	125 W
River	blau	150 %	250 W
Rocket	rosa	240 %	400 W

Modus „Schiebeunterstützung“ ein-/ausschalten

Die Schiebeunterstützung erleichtert das Schieben des eBikes. Die Geschwindigkeit des eBikes im Modus „Schiebeunterstützung“ kann bis zu max. 6 km/h, je nach eingelegtem Gang, variieren. Der Benutzer kann die Geschwindigkeit des eBikes auf sein eigenes Gehtempo abbremsten, indem er das eBike beim Schieben feste hält.

 **Warnung! Der Modus "Schiebeunterstützung" ist nur zur Verwendung beim Schieben des eBikes bestimmt.** Bei jedem anderen Gebrauch besteht Verletzungsgefahr.

Um den Modus „Schiebeunterstützung“ zu **aktivieren**, stellen Sie mit dem Remote die Trethilfestufe „keine“ ein (siehe **Benutzeranleitung Remote**). Danach die untere Taste am Remote gedrückt halten. Nach 2 Sekunden wird die Schiebeunterstützung aktiviert.

 **Warnung! Halten Sie bei Verwendung dieser Funktion den Lenker mit den Händen stets ganz fest, da Sie sonst plötzlich die Kontrolle über das eBike verlieren können.**

Die Schiebeunterstützung wird in folgenden Fällen deaktiviert:

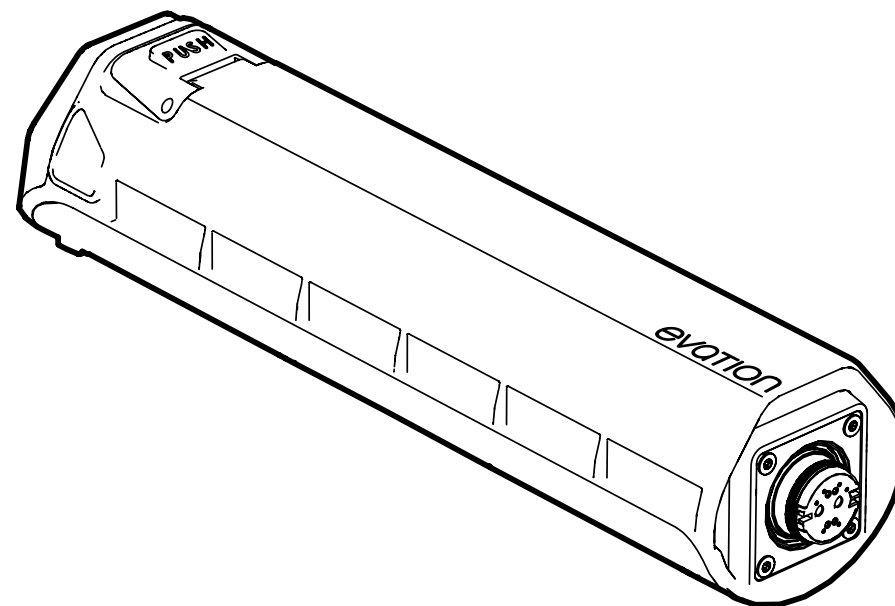
- beim Loslassen der **unteren Taste (4)**,
- durch Blockierung der Räder am eBike, oder
- bei einer Geschwindigkeit von mehr als 6 km/h.

Kurzanleitung Remote

Schritt	Taste	Dauer
Einschalten	beliebig	beliebig
Ausschalten	Mitteltaste	2 s
Tretunterstützung erhöhen	obere Taste	beliebig
Tretunterstützung reduzieren	untere Taste	beliebig
Modus Schiebeunterstützung aktivieren	1. (Unterstützungsstufe "keine") 2. untere Taste	> 2 s

evation I.0

Akku 7000




de Originalanleitung

 FAZUA

Sicherheitshinweise



Wichtig! Lesen Sie bitte die Sicherheitshinweise (durch  gekennzeichnet) und Anweisungen zu den Komponenten des Antriebssystems und des eBikes sorgfältig durch.



Wichtig! Lesen Sie die Sicherheitshinweise sorgfältig durch. Bei Nichtbeachtung der Sicherheitshinweise kann es zu einem elektrischen Schlag, Feuer oder schweren Verletzungen kommen.

Bewahren Sie alle Sicherheitshinweise und Anleitungen für zukünftigen Gebrauch auf.



Entfernen Sie vor der Reinigung den Akku aus dem Antriebspack. Wenn der Akku mit feuchten Kontakten in das Antriebspack eingesetzt wird, kann der Akku beschädigt werden.



Öffnen Sie niemals den Akku. Explosionsgefahr! Beim Öffnen des Akkus erlischt der Gewährleistungsanspruch.



Der Akku darf nur an eBikes verwendet werden, die mit einem originalen FAZUA evation Antriebssystem ausgestattet sind.



Es dürfen nur originale, vom eBike-Hersteller zugelassene evation Akkus verwendet werden. Bei Verwendung von nicht zugelassenen Akkus besteht Brand- oder Verletzungsgefahr. Für die Verwendung von nicht zugelassenen Akkus übernimmt FAZUA keine Haftung.



Zur Aufladung des Akkus dürfen nur originale FAZUA evation Ladegeräte verwendet werden. Bei Verwendung von nicht zugelassenen Ladegeräten übernimmt FAZUA keine Haftung.



Der Akku darf nicht Hitze, offenem Feuer oder Wasser ausgesetzt werden. Explosionsgefahr!



Schützen Sie den Akku vor mechanischen Einwirkungen oder sonstiger Belastung. Anderenfalls besteht die Gefahr von Beschädigung und austretenden Gasen, die zur Reizung der Atemwege führen können. Bei auftretenden Beschwerden frische Luft zuführen und einen Arzt aufsuchen.



Vorsicht beim Umgang mit Metallgegenständen wie z.B. Münzen, Büroklammern, Schrauben in unmittelbarer Nähe des Akkus. Diese Objekte können einen Stromkreis zwischen den Anschlussklemmen des Akkus schließen. Brandgefahr! Bei Beschädigungen dieser Art besteht kein Gewährleistungsanspruch.



Der Akku ist von brennbaren Materialien fernzuhalten. Bringen Sie den Akku vor dem Aufladen immer an einen trockenen und feuersicheren Ort. Während des Ladevorgangs entsteht Hitze. Brandgefahr!



Lassen Sie den Akku während des Ladevorgangs nie unbeaufsichtigt!



Beschädigte Akkus niemals verwenden oder aufladen!



Aus dem Akku austretende Flüssigkeit niemals berühren! Bei Hautkontakt gründlich mit Wasser spülen. Kontakt mit dieser Flüssigkeit kann zu Reizungen oder Verbrennungen der Haut führen. Bei Augenkontakt umgehend einen Arzt aufsuchen.



Halten Sie Akku und Ladegerät stets von Herzschrittmachern fern. Die Magnetanschlüsse dieser Komponenten können die Funktion des Herzschrittmachers beeinträchtigen.



Der Akku ist außerhalb der Reichweite von Kindern aufzubewahren.

Reinigung, Wartung und Service

Alle Komponenten des eBikes und des Antriebssystems sollten in einem sauberen Zustand gehalten werden. Dabei ist besonders auf die Kontakte und Schnittstellen zwischen Akku und Antriebspack sowie Antriebspack und Tretlager zu achten. Diese Stellen sind vor jeder Benutzung vollständig abzutrocknen.

Ein sauberer Kühler am Antriebspack kann seine Funktion besser erfüllen. Das Schloss sollte alle zwei bis drei Monate neu eingefettet werden, oder sobald es sich nicht mehr bequem bedienen lässt. Die Komponenten des Antriebssystems dürfen keinesfalls in Wasser getaucht oder mit einem Hochdruckreiniger gesäubert werden. Die Komponenten müssen mit einem Tuch oder einer weichen Bürste schonend gereinigt werden.

Für weitere Informationen über die Wartung für Ihr Antriebssystem, wenden Sie sich bitte an Ihren FAZUA Service-Partner oder besuchen Sie die FAZUA Service-Plattform (www.fazua.com/service).

Transport

Akkus unterliegen den Gefahrgut-Vorschriften. Unbeschädigte Akkus dürfen von Privatpersonen im Straßenverkehr befördert werden. Der gewerbliche Transport erfordert die Einhaltung der Vorschriften über die Verpackung, Kennzeichnung und Beförderung von Gefahrgütern. Offene Kontakte müssen abgedeckt und der Akku sicher verpackt sein. Der Paketdienst ist auf das Vorhandensein von Gefahrgütern in der Verpackung hinzuweisen. Bei weiteren Fragen, wenden Sie sich bitte an Ihren FAZUA Service-Partner oder besuchen Sie die offizielle FAZUA Service-Plattform (www.fazua.com/service).

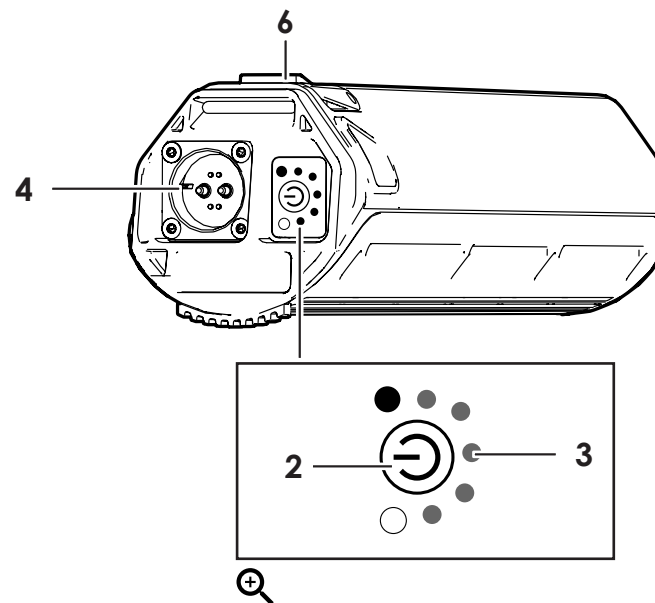
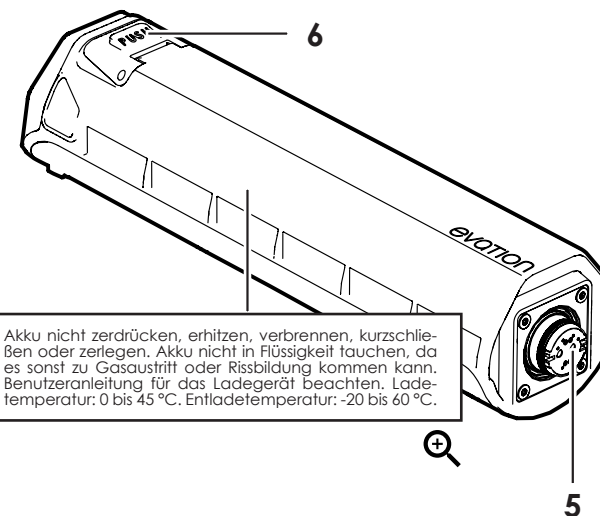
Entsorgung



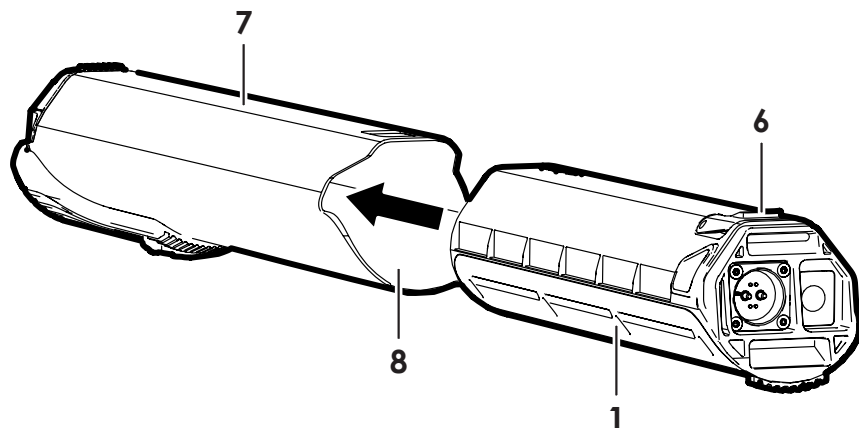
Tretlager, Antriebspack, Remote, Akku, Ladegerät, Zubehör und Verpackung müssen auf umweltgerechte Weise entsorgt werden. Weder eBikes noch ihre Komponenten gehören in den Hausmüll!

Nur in EU-Ländern: Elektro-Altgeräte (Richtlinie 2012/19/EU) sowie Altakkumulatoren (Richtlinie 2006/66/EG) müssen getrennt gesammelt und umweltgerecht entsorgt werden.

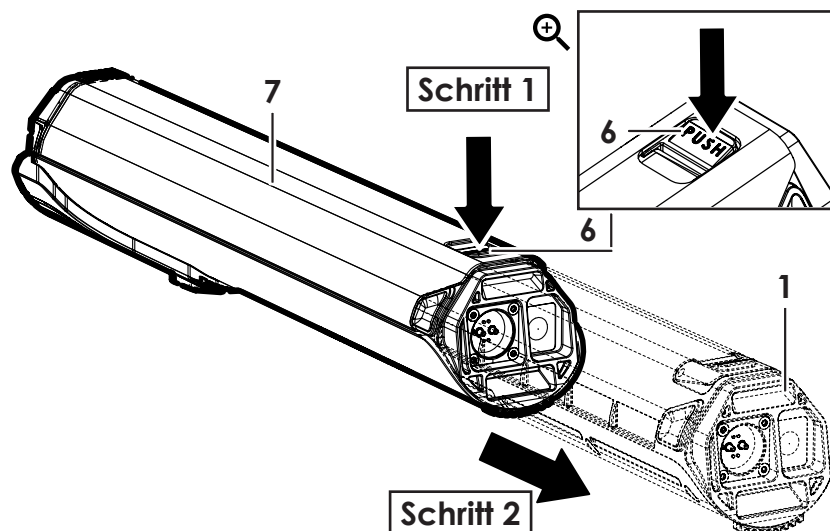
Akku 1



Schritt A



Schritt B



Beschreibung und technische Daten

Bestandteile

Die Nummerierung der Bestandteile bezieht sich auf die am Anfang der Anleitung befindlichen Abbildungen. Diese Abbildungen zeigen die verschiedenen Komponenten, die zum Akku gehören. Je nach Ausstattung Ihres eBikes können die Darstellungen in dieser Anleitung von den Bauteilen an Ihrem eBike abweichen.

1. Akku
2. Ein/Aus-Taste
3. Betriebsart-/Ladekontrollanzeige
4. Ladebuchse
5. Entladebuchse
6. Akkuverschluss
7. Antriebspack
8. Akkuaufnahme

Technische Daten

Lithium-Ionen-Akku 7000		
Artikelnummer		01-2018-004
Nennspannung	V	36
Nennkapazität	Ah	7
Leistung	Wh	252
Betriebstemperatur	°C	-20 ... +60
Lagertemperatur	°C	-20 ... +60
Entladetemperatur	°C	-20 ... +60
Ladetemperatur	°C	0 ... +45
Schutzart		IP 54
Gewicht, ca.	kg	1,4

* Bei Nichtbeachtung der Obergrenzen kann es zum Leistungsabfall kommen.

Montage

⚠️ Warnung! Die Benutzeranleitung für den Akku (1) ist sorgfältig durchzulesen und den darin enthaltenen Anweisungen Folge zu leisten!

⚠️ Warnung! Vor Gebrauch und Aufladung den Akku (1) immer überprüfen. Alle Anschlüsse und Oberflächen müssen sauber sein.

⚠️ Warnung! Vor Gebrauch und Aufladung muss der Akku (1) immer auf sichtbare Schäden, wie z.B. Risse oder Brandflecken, geprüft werden. Beschädigte Akkus (1) niemals verwenden oder aufladen!
Für weitere Informationen, wenden Sie sich bitte an Ihren FAZUA Service-Partner oder besuchen Sie die FAZUA Service-Plattform (www.fazua.com/service).

Funktionsprüfung des Akkus

Der **Akku (1)** muss vor Aufladung und Erstinbetriebnahme geprüft werden.

Ein/Aus-Taste (2) am **Akku (1)** drücken. Akku vor Erstinbetriebnahme voll aufladen, wenn nicht alle LEDs der Ladekontrollanzeige (3) aufleuchten. Wenn an der **Ladekontrollanzeige (3)** keine LEDs aufleuchten, ist der **Akku (1)** möglicherweise beschädigt.

Nach Erstinbetriebnahme und vor jedem weiteren Einsatz ist der **Akku (1)** über die **Ein/Aus-Taste (2)** einzuschalten.

Akku laden

❗ Wichtig! Die Benutzeranleitung für das Ladegerät ist vor dem ersten Ladevorgang sorgfältig durchzulesen.

Der **Akku (1)** kann jederzeit entweder unabhängig, im Antriebspack, oder am eBike montiert aufgeladen werden (siehe **Montagehinweise zum Antriebspack**). Der Ladevorgang kann auch jederzeit unterbrochen werden.

Laden Sie den **Akku (1)** vor Erstinbetriebnahme vollständig auf, damit die volle Kapazität des **Akkus (1)** zur Verfügung steht.

Bei einer Temperatur außerhalb der zulässigen Ladetemperatur kann der **Akku (1)** nicht geladen werden, selbst wenn er mit dem Ladegerät verbunden ist. Erst nach Erreichen der zulässigen Ladetemperatur kann er wieder geladen werden.

Ladekontrollanzeige

Beim Einschalten des **Akkus (1)** zeigt die **Ladekontrollanzeige (3)** die Startanimation. Danach zeigen die LEDs kurz den **Ladezustand (3)** des **Akkus (1)** an.

Beim eingeschalteten **Akku (1)** kann der Ladezustand durch eine kurze Betätigung der **Ein/Aus-Taste (2)** abgefragt werden.

Jede LED stellt 20 % der Kapazität dar. Bei einem voll aufgeladenen Akku leuchten alle fünf LEDs auf. Wenn der Akku aber entladen ist, leuchtet nur die letzte LED periodisch auf. Der Ladezustand des **Akkus (1)** wird auch am Remote angezeigt (siehe **Benutzeranleitung Remote**).


Ein- und Ausbau des Akkus

⚠️ Warnung! Akku (1) und Antriebspack (7) müssen stets sauber sein. Sonst kann die durch Verschmutzung verursachte Reibung diesen Vorgang erschweren.

Um den **Akku (1)** in das **Antriebspack (7)** einzusetzen, halten Sie das **Antriebspack (7)** in der einen Hand und den **Akku (1)** in der anderen. Stellen Sie sicher, dass die **Entladebuchse (5)** auf die **Akkuaufnahme (8)** zeigt. Die beiden Bauteile zusammenführen, den **Akku (1)** dabei in die **Akkuaufnahme (8)** des **Antriebspacks (7)** behutsam einführen (**Schritt A**). Wenn der **Akku (1)** vollständig eingeführt ist, wird er automatisch vom **Akkuverschluss (6)** arretiert.

Um den **Akku (1)** aus dem **Antriebspack (7)** zu entfernen, drücken Sie auf den **Akkuverschluss (6)** bei gleichzeitigem Herausziehen des **Akkus (1)** aus der **Akkuaufnahme (8)** (**Schritt B**).

Bedienung

 **Tip!** Der **Akku (1)** ist gegen Kurzschluss, Überhitzung, Überladung und Tiefentladung geschützt. Um eine mögliche Gefahr abzuwenden, schaltet dieser Schutz den **Akku (1)** bei Bedarf automatisch aus.

Ausschalten des Akkus


Der **Akku (1)** kann sowohl im **Antriebspack (7)** eingebaut als auch im ausgebauten Zustand ein- und ausgeschaltet werden.

Zum **Einschalten** des **Antriebspacks (1)**, drücken Sie die **Ein/Aus-Taste (2)**. Die LEDs der **Ladekontrollanzeige (3)** zeigen zuerst eine Startanimation und danach kurz den Ladezustand.

Zum **Ausschalten** des **Akkus (1)**, halten Sie die **Ein/Aus-Taste (2)** 2 Sekunden lang gedrückt. Die LEDs der **Ladekontrollanzeige (3)** zeigen eine Ausschaltanimation und der **Akku (1)** wird ausgeschaltet.

Wird Ihr eBike in den Stillstand versetzt, schaltet sich der **Akku (1)** aus, damit der verbleibende Energie erhalten bleibt (siehe **Stillstandshinweise zum Antriebspack**). Wenn der **Akku (1)** nach 12 Stunden nicht mehr in das **Antriebspack (7)** eingebaut oder an das Ladegerät angeschlossen und auch keine der Akkutasten gedrückt wird, schaltet sich der Akku zur Erhaltung der verbleibenden Energie aus.

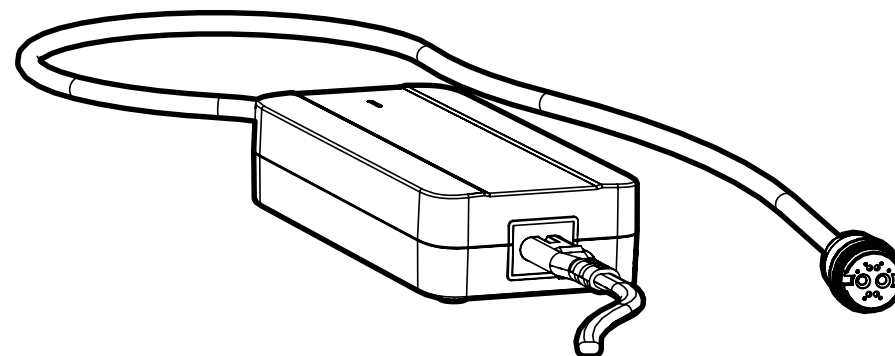
Hilfreiche Tipps für Ihren Akku

 **Tip!** Die Lagerung eines entladenen **Akkus (1)** für einen längeren Zeitraum kann Ihren Akku massiv schädigen oder seine Kapazität erheblich reduzieren.

- Die Nutzungsdauer Ihres **Akkus (1)** kann sich durch ordnungsgemäße Wartung verlängern. Beachten Sie immer die Betriebs- und Lagertemperaturen.
- Trennen Sie den **Akku (1)** nach jedem Ladevorgang vom Ladegerät.
- Falls Sie den **Akku (1)** über einen längeren Zeitraum nicht benutzen, sollte er davor auf 60 % Ladezustand aufgeladen werden. Prüfen Sie nach 6 Monaten den **Akku (1)** erneut. Bei einem Ladezustand von 20 % oder weniger sollten Sie den Akku wieder auf 60 % aufladen.
- Lagerzeit bei einer Ladung von 60 %:
 - 1 Monat: -20 bis 60 °C
 - 3 Monate: -20 bis 45°C
 - 1 Jahr: -20 bis 25°C
- Der **Akku (1)** sollte an einem trockenen und gut belüfteten Ort aufbewahrt werden. Die optimale Lagertemperatur liegt zwischen +5 und +20 °C.
- Bei ungünstigen Wetterbedingungen sollten Sie **Antriebspack (7)** und **Akku (1)** vom eBike entfernen und bis zum nächsten Gebrauch eingepackt aufbewahren.
- Eine Lagerung des **Akkus (1)** im eBike wird nicht empfohlen.

evATION 1.0


Ladegerät



de Originalanleitung










FAZUA




Sicherheitshinweise

Wichtig! Lesen Sie bitte die Sicherheitshinweise (durch  gekennzeichnet) und Anweisungen zu den Komponenten des Antriebssystems und des eBikes sorgfältig durch.

Wichtig! Lesen Sie die Sicherheitshinweise sorgfältig durch. Bei Nichtbeachtung der Sicherheitshinweise kann es zu einem elektrischen Schlag, Feuer oder schweren Verletzungen kommen.

Bewahren Sie alle Sicherheitshinweise und Anleitungen für zukünftigen Gebrauch auf.

-  **Halten Sie Ihr Ladegerät stets von Wasser und Feuchtigkeit fern.** Anderenfalls besteht hohe Stromschlaggefahr.
-  **Es dürfen nur originale, vom eBike-Hersteller zugelassene evation Akkus verwendet werden.** Anderenfalls besteht Brand- und Explosionsgefahr.
-  **Öffnen Sie nicht eigenmächtig das Ladegerät.** Es darf nur von Fachpersonal geöffnet und sollte nur mit originalen Ersatzteilen repariert werden.
-  **Ladegerät, Kabel und Stecker sind vor jeder Benutzung zu überprüfen. Bei erkennbaren Schäden das Ladegerät niemals verwenden.** Hohe Stromschlaggefahr!
-  **Halten Sie das Ladegerät in einem sauberen Zustand.** Bei einem verschmutzten Ladegerät besteht erhöhte Stromschlaggefahr.
-  **Ladegerät und Akku von brennbaren Materialien fernhalten. Bringen Sie Ladegerät und Akku vor dem Aufladen immer an einen trockenen und feuersicheren Ort.** Während des Ladevorgangs entsteht Hitze. Brandgefahr!
-  **Vorsicht beim Umgang mit dem Ladegerät während und nach Ablauf des Ladevorgangs.** Das Ladegerät kann heiß werden.
-  **Lassen Sie das Ladegerät während des Ladevorgangs nie unbeaufsichtigt!**
-  **Personen, die zur sicheren Bedienung des Ladegeräts nicht in der Lage sind, dürfen das Ladegerät nur unter Aufsicht benutzen.**

-  **Das Ladegerät ist außerhalb der Reichweite von Kindern aufzubewahren.**
-  **Aus einem beschädigten Akku können Gase entweichen.** Bei auftretenden Beschwerden frische Luft zuführen und einen Arzt aufsuchen.
-  **Halten Sie Akku und Ladegerät stets von Herzschrittmachern fern. Die Magnetanschlüsse dieser Komponenten können die Funktion des Herzschrittmachers beeinträchtigen.**

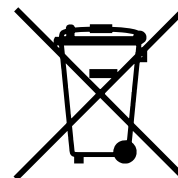
Reinigung, Wartung und Service

Alle Komponenten des eBikes und des Antriebssystems sollten in einem sauberen Zustand gehalten werden. Dabei ist besonders auf die Kontakte und Schnittstellen zwischen Akku und Antriebspack sowie Antriebspack und Tretlager zu achten. Diese Stellen sind vor jeder Benutzung vollständig abzutrocknen.

Ein sauberer Kühler am Antriebspack kann seine Funktion besser erfüllen. Das Schloss sollte alle zwei bis drei Monate neu eingefettet werden, oder sobald es sich nicht mehr bequem bedienen lässt. Die Komponenten des Antriebssystems dürfen keinesfalls in Wasser getaucht oder mit einem Hochdruckreiniger gesäubert werden. Die Komponenten müssen mit einem Tuch oder einer weichen Bürste schonend gereinigt werden.

Für weitere Informationen über die Wartung für Ihr Antriebssystem, wenden Sie sich bitte an Ihren FAZUA Service-Partner oder besuchen Sie die FAZUA Service-Plattform (www.fazua.com/service).

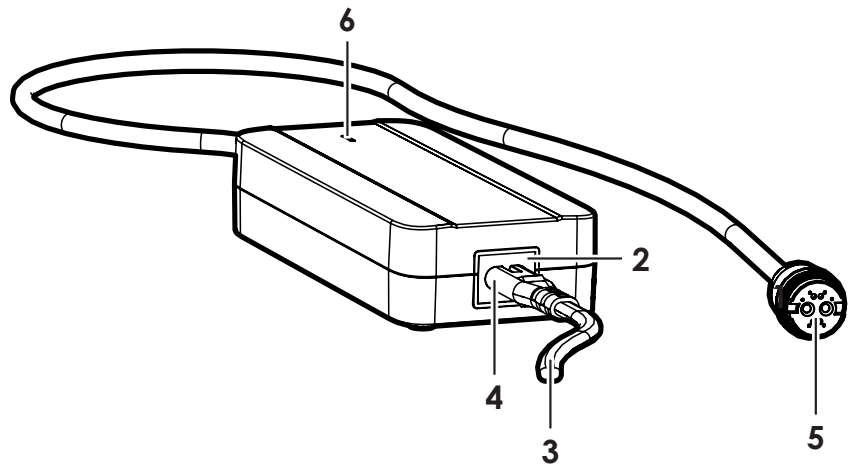
Entsorgung



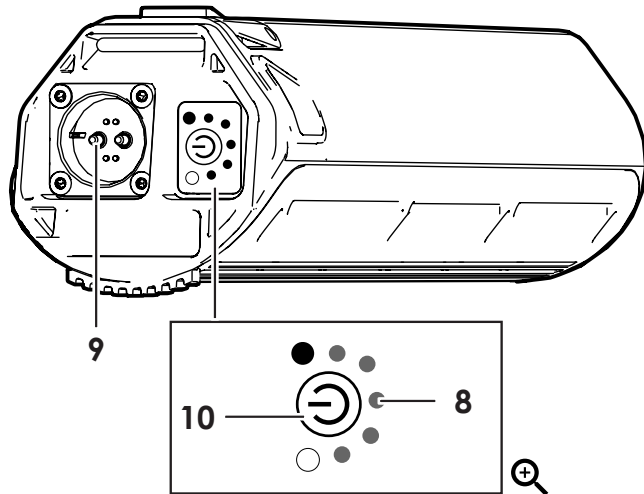
Tretlager, Antriebspack, Remote, Akku, Ladegerät, Zubehör und Verpackung müssen auf umweltgerechte Weise entsorgt werden. Weder eBikes noch ihre Komponenten gehören in den Hausmüll!

Nur in EU-Ländern: Elektro-Altgeräte (Richtlinie 2012/19/EU) sowie Altakkumulatoren (Richtlinie 2006/66/EG) müssen getrennt gesammelt und umweltgerecht entsorgt werden.

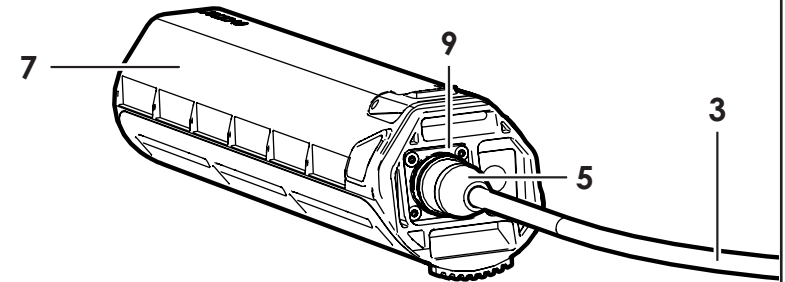
Ladegerät 1



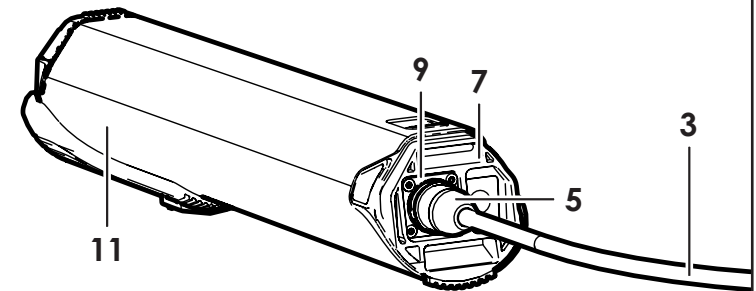
Akku 7



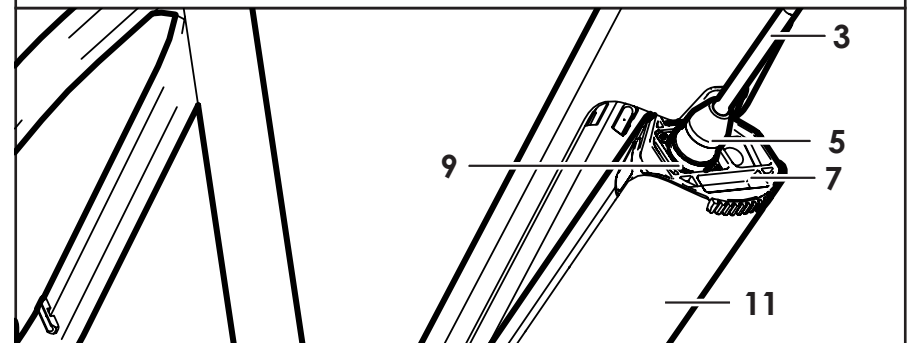
Schritt A



Schritt B



Schritt C



Beschreibung und technische Daten

Bestandteile

Die Nummerierung der Bestandteile bezieht sich auf die am Anfang der Anleitung befindlichen Abbildungen. Diese Abbildungen zeigen die verschiedenen Bauteile, die zu dem Ladegerät und den anderen FAZUA-Modulen gehören. Je nach Ausstattung Ihres eBikes können die Darstellungen in dieser Anleitung von den Bauteilen an Ihrem eBike abweichen.

1. Ladegerät
2. Strombuchse
3. Anschlusskabel
4. Netzteilstecker
5. Ladestecker
6. LED-Anzeige Ladegerät
7. Akku
8. Ladekontrollanzeige
9. Ladebuchse
10. Ein/Aus-Taste
11. Antriebspack

Technische Daten

Lithium-Ionen-Akku 7000		
Artikelnummer		01-2018-005
Nenneingangsspannung	V AC	100 ... 240
Frequenz	Hz	50 ... 60
Ausgangsspannung	V DC	42
Ladestrom	A	2
Ladezeit (ca.)	h	3,5
Betriebstemperatur	°C	-20 ... +60
Lagertemperatur	°C	-20 ... +60
Schutzart		IP 54
Gewicht, ca.	kg	0,6

Bedienung

⚠️ Warnung! Achten Sie immer auf die Netzspannung. Die Versorgungsspannung des **Ladegeräts (1)** muss innerhalb der in den technischen Daten vorgegebenen Werte liegen.

⚠️ Warnung! Die **Benutzeranleitung für den Akku ist sorgfältig durchzulesen und den darin enthaltenen Anweisungen Folge zu leisten! Vor Gebrauch und Aufladung den Akku immer überprüfen. Alle Anschlüsse und Oberflächen müssen sauber sein.**

⚠️ Warnung! **Vor Gebrauch und Aufladung muss der Akku immer auf sichtbare Schäden, wie z.B. Risse oder Brandflecken, geprüft werden. Beschädigte Akkus niemals verwenden oder aufladen!** Für weitere Informationen, wenden Sie sich bitte an Ihren FAZUA Service-Partner oder besuchen Sie die FAZUA Service-Plattform (www.fazua.com/service).

Anschluss des Ladegeräts an das Stromnetz

Den **Netzteilstecker (4)** des **Anschlusskabels (3)** mit der **Strombuchse (2)** am **Ladegerät (1)** verbinden. Danach den Netzstecker (länderspezifisch) des Anschlusskabels an die Stromversorgung anschließen.

📌 Tipp! Sie sollten den **Akku (7)** nur laden, wenn Sie alle Sicherheitshinweise befolgen können. Sonst ist der Ladevorgang abubrechen und die Einhaltung sämtlicher Sicherheitsvoraussetzungen sicherzustellen, bevor der Vorgang durchgeführt werden kann.

Verbindung des Ladegeräts mit einem Akku im Antriebspack

Der **Akku (7)** lässt sich entweder unabhängig oder im **Antriebspack (11)** eingebaut aufladen (siehe **Benutzeranleitung Antriebspack**).

Den **Ladestecker (5)** des **Ladegeräts (1)** an der **Ladebuchse (9)** des im **Antriebspack (11)** eingesetzten **Akkus (7)** einstecken (**Schrift B**).

Verbindung des Ladegeräts mit einem Akku am eBike

Den **Akku (7)** können Sie auch nach Einbau ins eBike aufladen.

Dazu müssen Sie das **Antriebspack (11)** zuerst in die Ladeposition am eBike bringen (siehe **Montagehinweise zum Antriebspack**).

Danach den **Ladestecker (5)** des **Ladegeräts (1)** an der **Ladebuchse (9)** des am eBike montierten **Akkus (7)** einstecken (**Schrift C**).

Ladevorgang

Der Ladevorgang beginnt, sobald der **Ladestecker (5)** Ihres **Ladegeräts (1)** an der **Ladebuchse (9)** des **Akkus (7)** angeschlossen ist.

Der Ladezustand wird über die **Ladekontrollanzeige (8)** am **Akku (7)** angezeigt. Die Ausgabe der LEDs an der **Ladekontrollanzeige (8)** hängt vom jeweiligen Ladezustand ab. Jede LED stellt 20 % der Kapazität dar. Leuchten alle 5 LEDs, ist der Akku voll aufgeladen.

Nachdem der **Akku (7)** voll aufgeladen ist, erlöschen die LEDs der **Ladekontrollanzeige (8)**. Sie können den Ladezustand dann durch kurzes Drücken der **Ein/Aus-Taste (10)** am **Akku (7)** kontrollieren.

Nach beendetem Ladevorgang das **Ladegerät (1)** vom Netz und den **Akku (7)** vom **Ladegerät (1)** trennen.

evATION I.O

Herstellergarantie

 FAZUA

Herstellergarantie

FAZUA GmbH, Hofmannstr. 61, 81379 München (nachfolgend „Hersteller“) garantiert dem Endkunden (nachfolgend „Kunde“) nach Maßgabe der nachfolgenden Bestimmungen, dass das in dem von dem Kunden innerhalb der Europäischen Union (Stand 01.01.2017) und der Schweiz (nachfolgend „räumlicher Geltungsbereich“) erworbenen Fahrrad eingebaute Antriebssystem und dessen Komponenten (nachfolgend „Produkt“) innerhalb eines Zeitraums von zwei Jahren ab Auslieferung (Garantiefrist) frei von Konstruktions-, Material- oder Verarbeitungsfehlern und uneingeschränkt funktionsfähig ist.

Sofern gleichwohl ein Fehler auftritt oder das Antriebssystem nicht uneingeschränkt funktionsfähig ist, wird der Hersteller dies nach eigenem Ermessen auf seine Kosten durch Reparatur oder Lieferung neuer oder generalüberholter Teile beheben.

Die gesetzlichen Rechte des Kunden wegen Mängeln nach § 437 BGB bleiben hiervon unberührt und werden durch diese Garantie auch nicht eingeschränkt.

Ansprüche aus dieser Garantie bestehen aber nur, wenn

- das Produkt keine Schäden oder Verschleißerscheinungen aufweist, die durch einen von der normalen Bestimmung und den Vorgaben des Herstellers gemäß Benutzerhandbuch abweichenden Gebrauch verursacht sind,
- das Produkt keine Merkmale aufweist, die auf Reparaturen oder sonstige Eingriffe durch vom Hersteller nicht autorisierte Fachwerkstätten schließen lassen, und
- die Fabrikationsnummer nicht entfernt oder unkenntlich gemacht worden ist.

Ansprüche aus dieser Garantie setzen voraus, dass der Kunde vor Einsendung des Produkts entweder den Händler, bei dem er das Fahrrad erworben hat, oder den Hersteller kontaktiert und diesem die Gelegenheit gegeben hat, innerhalb eines Zeitraums von acht Tagen eine telefonische Fehleranalyse durchzuführen.

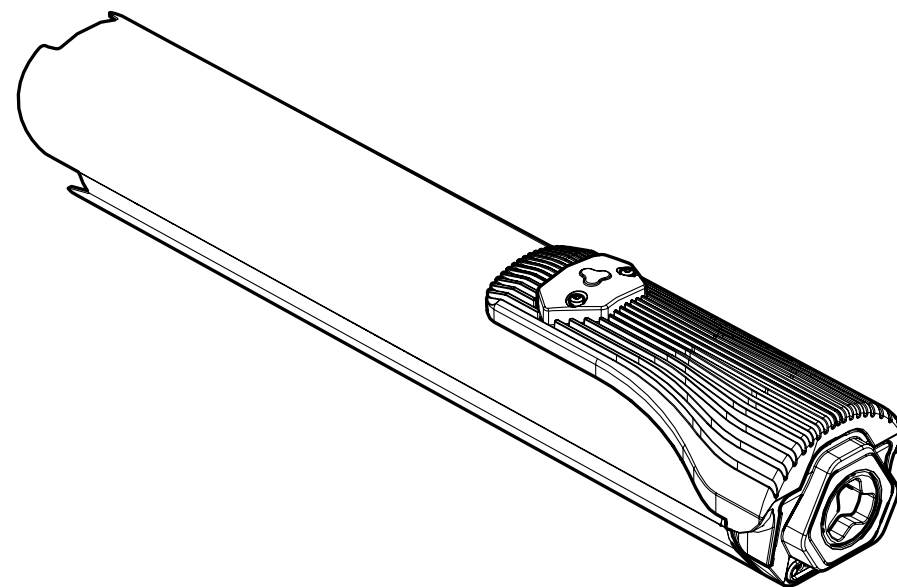
Ansprüche aus dieser Garantie können anschließend nur durch Übergabe oder Einsendung des Produkts an den Hersteller geltend gemacht werden. Voraussetzung des Garantieanspruchs ist weiterhin die Vorlage der Originalrechnung mit Kaufdatum. Die Kosten der Einsendung und Rücksendung des Produkts übernimmt der Hersteller. Hat der Hersteller oder der Händler dem Kunden für die Einsendung ein bestimmtes Frachtunternehmen genannt und nutzt der Kunde gleichwohl ein anderes Frachtunternehmen, hat der Kunde die insoweit entstehenden Mehrkosten zu tragen.

Diese Garantie gilt in dem vorstehend genannten Umfang und unter den oben genannten Voraussetzungen einschließlich der Vorlage des Kaufnachweises auch im Falle der Weiterveräußerung für jeden späteren, im räumlichen Geltungsbereich dieser Garantie ansässigen künftigen Eigentümer des Produkts.

Diese Garantie unterliegt dem Recht der Bundesrepublik Deutschland, sofern und soweit dem nicht zwingende Verbraucherschutzbestimmungen im Land des jeweiligen Kunden entgegenstehen.

evATION 1.0


Pack moteur 25 km/h



fr Instructions originales









 FAZUA

Consignes de sécurité

Important ! Veuillez lire attentivement les avertissements de sécurité  et instructions pour tous les composants du système d'entraînement ainsi que pour le vélo électrique.

Important ! Veuillez lire attentivement les consignes de sécurité. Toute négligence dans le respect de ces consignes de sécurité peut provoquer des chocs électriques, des incendies ou des blessures graves.

Conserver tous les avertissements de sécurité et les instructions pour future référence.

-  **Ne pas ouvrir le pack moteur vous-même.** Le pack moteur est sans entretien. Il ne doit être ouvert que par des experts qualifiés et réparé avec des pièces de rechange d'origine. L'ouverture non autorisée d'un système entraîne l'expiration de la garantie.
-  **Tous les composants du pack moteur et du vélo électrique doivent uniquement être remplacés par des composants identiques ou spécialement agréés par le fabricant du vélo électrique.** Cela protège le pack moteur des dommages.
-  **Ne pas modifier le pack moteur, ni ajouter un autre produit, non agréé, pour améliorer sa performance.**
-  **Toujours retirer le pack moteur du vélo électrique avant d'intervenir sur le vélo électrique, de le transporter ou de le stocker.** Il y a un risque d'accident en cas d'activation accidentelle.
-  **Prudence en cas de contact avec le radiateur de votre pack moteur.** Le radiateur peut considérablement chauffer et provoquer des brûlures de la peau.
-  **La fonction d'assistance à la marche doit uniquement être utilisée lorsque le vélo électrique est poussé.** Il y a risque de blessures si les roues ne sont pas en contact avec le sol lorsque cette fonction est utilisée.
-  **Utiliser uniquement des batteries evation agréées par le fabricant de vélos électriques.** L'utilisation de batteries non agréées peut provoquer des blessures ou un incendie. FAZUA décline toute responsabilité en cas d'utilisation de batteries non agréées.
-  **Respecter toutes les réglementations nationales relatives aux vélos électriques et aux pedelecs (vélos à assistance électrique).**

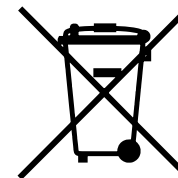
Nettoyage, maintenance et service après-vente

Maintenir tous les composants du vélo électrique et du système d'entraînement propres. Veiller spécialement aux fiches et aux interfaces entre le pack batterie et le pack moteur, ainsi qu'entre le pack moteur et l'axe de pédalier. Avant chaque utilisation, s'assurer qu'ils sont totalement secs.

Maintenir le radiateur du pack moteur propre en améliorera la capacité de refroidissement. Graisser la serrure tous les quelques mois ou si son fonctionnement devient plus difficile avec le temps. Ne pas immerger les composants du système d'entraînement, ni les nettoyer avec un nettoyeur à haute pression. Nettoyer tous les composants du système d'entraînement avec précaution, avec un chiffon ou une brosse douce.

Pour toute information concernant la révision de votre système d'entraînement, veuillez contacter votre partenaire de service FAZUA ou visiter la plateforme de service FAZUA (www.fazua.com/service).

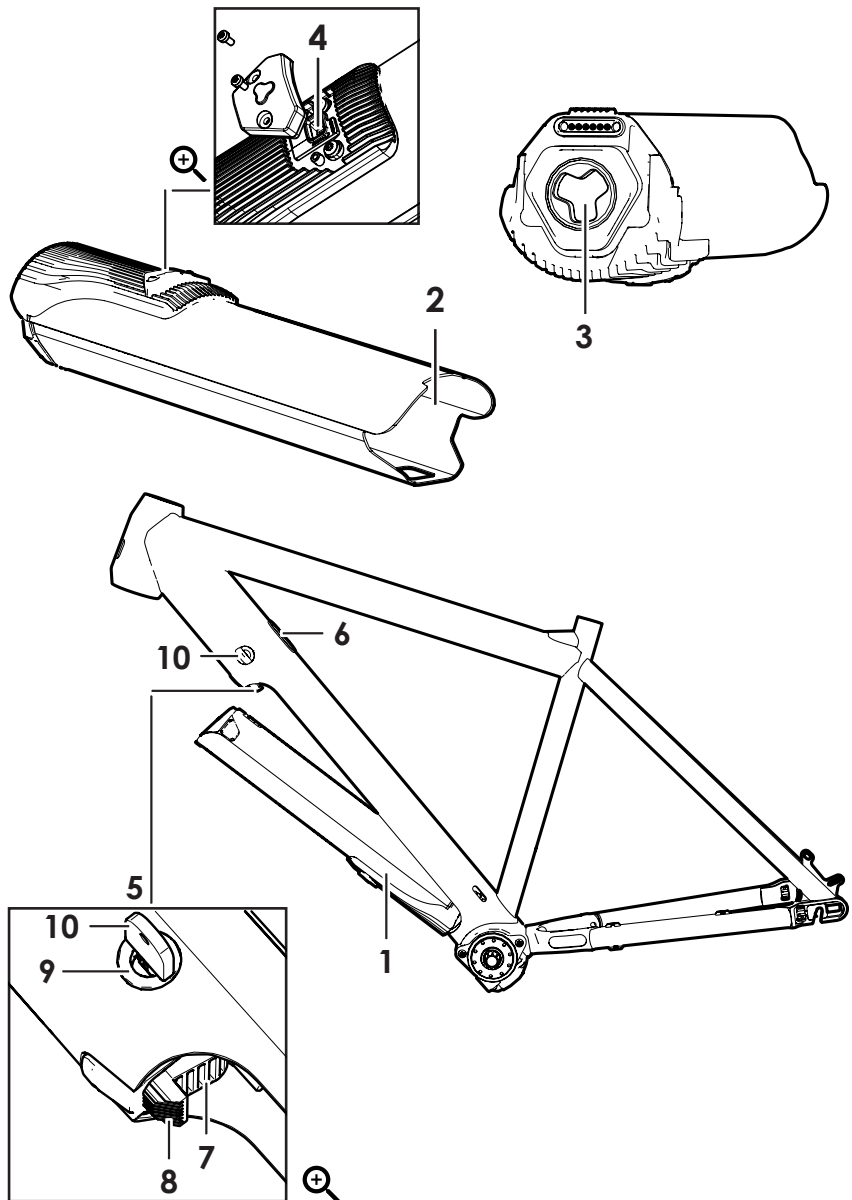
Élimination



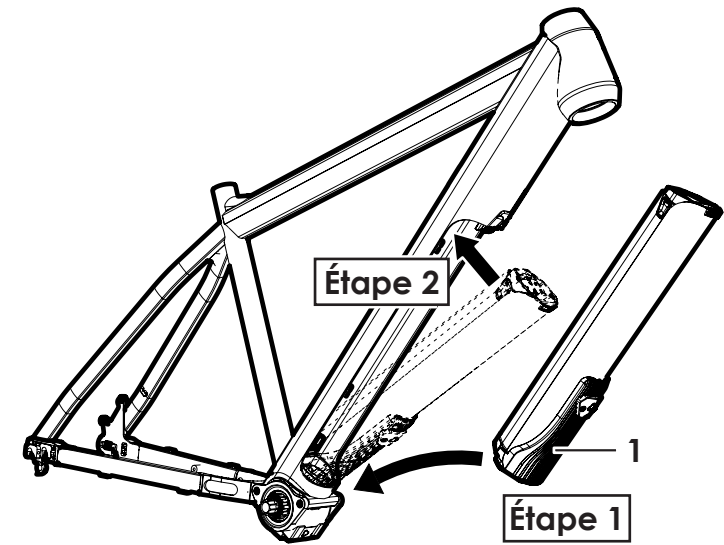
L'axe de pédalier, le pack moteur, la commande à distance, la batterie, le chargeur, les accessoires et l'emballage doivent être éliminés de manière écologique. Ne pas jeter les vélos électriques et leurs composants dans les ordures ménagères.

Uniquement pour les pays de l'UE : Conformément à la directive européenne 2012/19/UE, les équipements électriques cassés et, conformément à la directive européenne 2006/66/CE, les batteries usagées doivent être stockés séparément et éliminés de manière écologique.

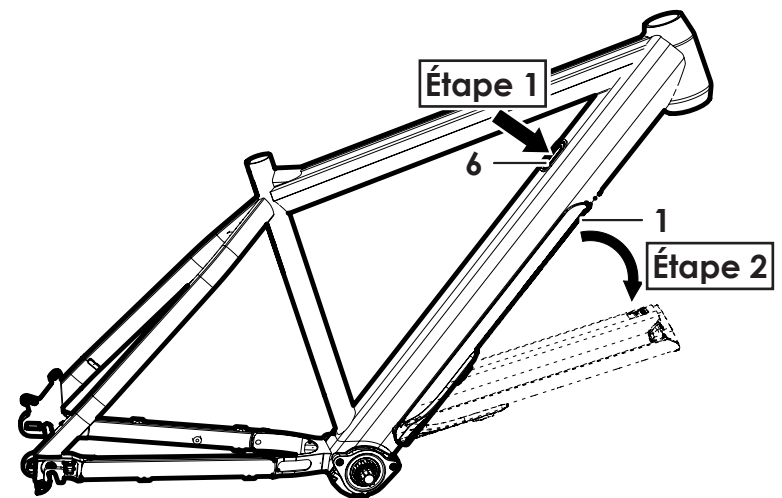
Pack moteur 1

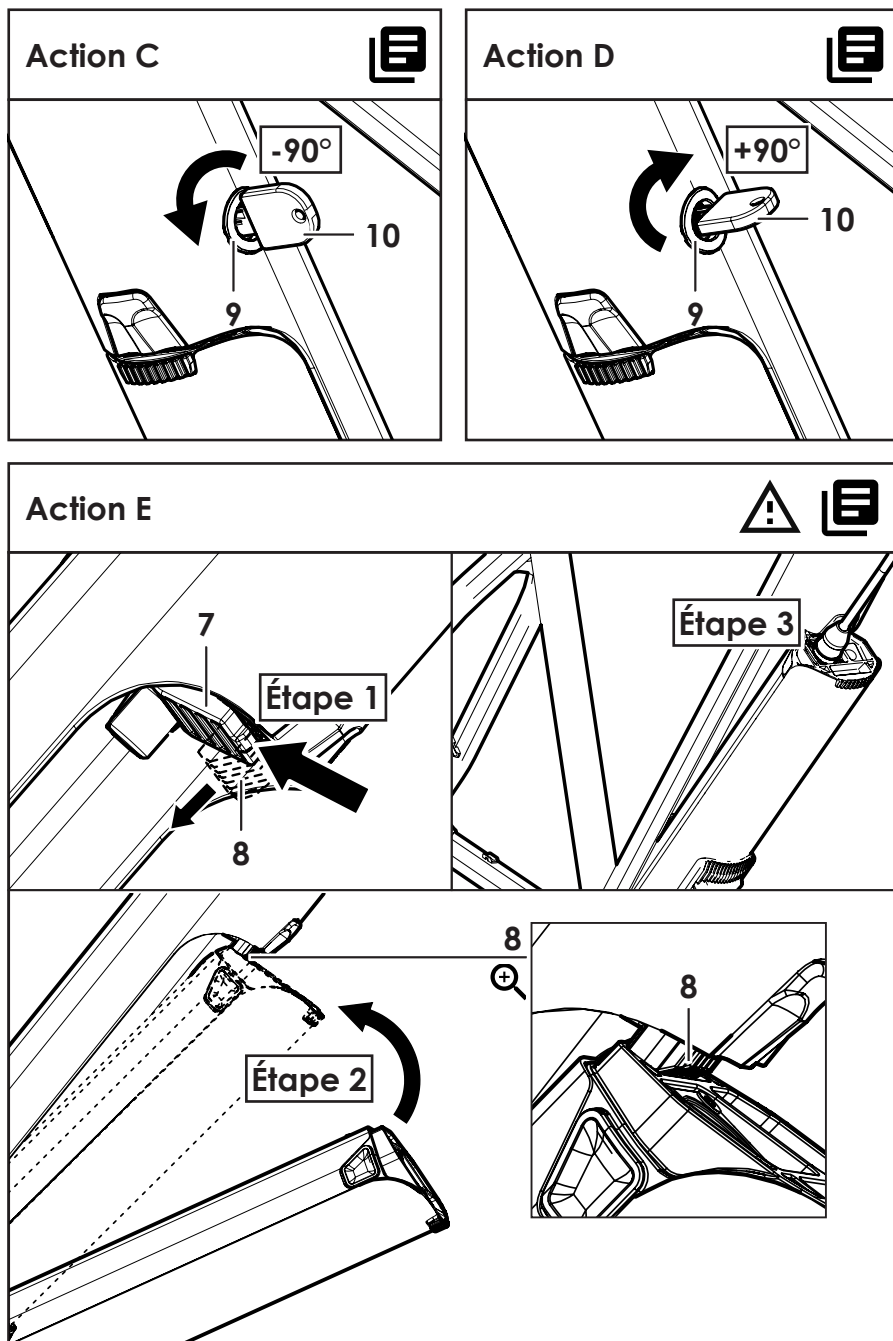


Action A



Action B





Description et spécifications

Objet

Le pack moteur est uniquement prévu pour conduire un vélo électrique et ne doit pas être utilisé à d'autres fins.

Caractéristiques

La numérotation se réfère aux illustrations au début de ce manuel. Les illustrations montrent les différents composants du pack moteur et d'autres modules FAZUA. Les illustrations individuelles de ce manuel peuvent légèrement différer des pièces réelles en fonction de l'équipement du vélo électrique.

1. Pack moteur
2. Ouverture pour batterie
3. Interface avec l'axe de pédalier
4. Connexion USB
5. Verrou du pack moteur
6. Bouton de déclenchement
7. Cale de serrage
8. Crochet de fixation
9. Barillet de verrouillage
10. Clé de verrouillage

Spécifications

Pack moteur		
Référence article		01-2018-001
Puissance de sortie nominale continue	W	250
Puissance de sortie max.	W	400
Couple au niveau de la chaîne, max.	Nm	60
Tension nominale	V	36
Température de service	°C	-20 à +60
Température de stockage	°C	-20 à +60
Degré de protection		IP 54
Poids, approximatif	kg	2

Assemblage

Insertion/retrait du pack batterie

Pour insérer le pack batterie dans le vélo électrique ou pour l'en retirer, suivre les **instructions du pack batterie**.

Montage du pack moteur dans le vélo électrique

Après avoir introduit le pack batterie dans le **pack moteur (1)** (voir **instructions du pack batterie**), placer l'**interface avec l'axe de pédalier (3)** au-dessus de l'interface ouverte de l'axe de pédalier (**Action A, étape 1**), juste sous le tube oblique du vélo électrique.

Maintenant amener la partie supérieure du **pack moteur (1)** dans le tube oblique jusqu'à ce que le **crochet de fixation (8)** s'enclenche (**Action A, étape 2**). S'assurer que le **pack moteur (1)** est bien ancré dans le tube oblique et n'en ressort pas.

Démontage du pack moteur du vélo électrique



Important ! S'assurer de bien maintenir le pack moteur (1) pendant le démontage sinon le pack moteur (1) peut tomber du cadre.

Maintenir le **pack moteur (1)** monté d'une main et appuyer sur le **bouton de déclenchement (6)** de l'autre (**Action B, étape 1**). Le **pack moteur (1)** peut maintenant être retiré facilement (**Action B, étape 2**).



Remarque ! Parfois le fait de pousser le **pack moteur (1)** contre le cadre avant d'appuyer sur le **bouton de déclenchement (6)** peut permettre un démontage plus facile.

Verrouillage/déverrouillage du pack moteur sur le vélo électrique

Une fois le **pack moteur (1)** monté dans le vélo électrique, il peut être verrouillé de manière à ce que le **pack moteur (1)** ne puisse pas être retiré. **Pour verrouiller** un **pack moteur (1)** monté, insérer la **clé (10)** dans le **barillet de verrouillage (9)** et la tourner **dans le sens contraire des aiguilles d'une montre (Action C)**.

Pour déverrouiller le **pack moteur (1)** du vélo électrique, insérer la **clé (10)** dans le **barillet (9)** et la tourner **dans le sens des aiguilles d'une montre (Action D)**.

Charge du pack batterie dans le vélo



Avertissement ! Lire attentivement et respecter les instructions de la batterie. Avertissement ! Faire attention à la batterie avant chaque utilisation et avant de la mettre en charge. S'assurer que les terminaux et les surfaces sont propres.



Avertissement ! Avant d'utiliser ou de charger le pack batterie, toujours vérifier l'absence de dommages, tels que fissures ou brûlures. Ne jamais utiliser ou charger une batterie endommagée. Veuillez contacter votre partenaire de service FAZUA ou visiter la plateforme officielle de service FAZUA (www.fazua.com/service).

Le **pack moteur (1)** peut être monté dans le vélo électrique en laissant le port de charge du pack batterie accessible pour brancher le chargeur. Pour cela, démonter le **pack moteur (1)** du vélo électrique (**Action B**). Pousser la **cale de serrage (7)** au niveau du **verrou (5)** vers le haut et le **crochet de fixation (8)** sortira (**Action E, étape 1**). Remonter le **pack moteur (1)** dans le vélo sans pousser la partie supérieure entièrement dans le cadre (**Action E, étape 2**). De cette manière, le **crochet de fixation (8)** fixe le **pack moteur (1)** sans qu'il soit entièrement introduit.

Fonctionnement

Conditions requises

Pour faire fonctionner le système d'entraînement de vélo électrique, les conditions suivantes doivent être respectées :

- Le pack batterie est suffisamment chargé, inséré et allumé (voir **instructions du pack batterie**).
- Le **pack moteur (1)** est monté dans le vélo électrique.
- Le capteur de vitesse est correctement branché sur l'axe de pédalier et l'aimant sur rayon placé correctement (voir **instructions de l'axe de pédalier**).

Mise en marche/arrêt du système de vélo électrique

Le système peut être commandé par une commande à distance agréée par FAZUA. Une fois le **pack moteur (1)** monté dans le vélo électrique, le système peut être **mis en marche** en appuyant simplement sur n'importe quel bouton de la commande à distance (voir **instructions de la commande à distance**).

La puissance de sortie du système dépend des réglages de niveau d'assistance sur la commande à distance.

Lorsqu'on arrête de pédaler ou si une vitesse de 25 km/h est atteinte, l'assistance du système d'entraînement est arrêtée doucement. Le système se remet en marche lorsqu'on commence à pédaler et que la vitesse est inférieure à 25 km/h.

Il existe différentes manières pour **arrêter** le système :

- Appuyer sur le bouton central de la commande à distance et le maintenir appuyé pendant 2 secondes (voir **instructions de la commande à distance**).
- Démonter le **pack moteur (1)** du vélo.
- Arrêter le pack batterie (voir **instructions du pack batterie**).
- Laisser le vélo électrique entrer en état d'inactivité.

Réglage du niveau d'assistance

La commande à distance permet de régler le niveau d'assistance du système du vélo électrique lorsqu'on pédale. Le niveau d'assistance peut être réglé à tout moment, même pendant la conduite. Pour changer de niveau d'assistance, appuyer sur les boutons haut/bas de la commande à distance (voir **instructions de la commande à distance**).

Les niveaux d'assistance suivants sont disponibles :

- **Aucune assistance (blanc)** : L'assistance du moteur est arrêtée. Le vélo électrique peut être conduit comme une bicyclette normale.
- **Brise (vert)** : Assistance faible mais efficace pour maximiser la portée du vélo électrique.
- **Rivière (bleu)** : Assistance continue convenant à la plupart des scénarios.
- **Fusée (rose)** : Assistance maximale pour les circuits les plus exigeants.

Niveau d'assistance	Couleur	Facteur d'assistance max.	Puissance max.
Aucune assistance	Blanc	0 %	0 W
Brise	Vert	75 %	125 W
Rivière	Bleu	150 %	250 W
Fusée	Rose	240 %	400 W

Mise en marche du mode d'assistance à la marche

La fonction d'assistance à la marche aide à pousser le vélo électrique. La vitesse du vélo électrique en mode d'assistance à la marche peut varier en fonction de la vitesse réglée, avec une vitesse maximale de 6 km/h. L'utilisateur peut réduire lui-même la vitesse du vélo électrique en le tenant fermement pendant qu'il marche.

⚠ Avertissement ! S'assurer que les mains tiennent fermement le guidon du vélo électrique pendant l'utilisation de cette fonction sous peine de perdre momentanément le contrôle du vélo électrique.

Pour **activer** le mode d'assistance à la marche, régler le système sur le mode « Sans assistance » sur la commande à distance (voir **instructions de la commande à distance**). Ensuite, appuyer sur le bouton « Bas » de la commande à distance et le maintenir appuyé. Le mode d'assistance à la marche se met en marche au bout de 2 secondes.

L'assistance à la marche s'arrête lorsque :

- Le bouton « Bas » est relâché.
- Les roues du vélo électrique sont bloquées.
- La vitesse dépasse 6 km/h.

Inactivité

Lorsque le vélo électrique atteint l'état d'inactivité, le système arrêtera automatiquement le pack batterie. Pour démarrer le système en état d'inactivité, il faut mettre en marche le pack batterie (voir **instructions du pack batterie**). Le vélo électrique atteint l'état d'inactivité quand :

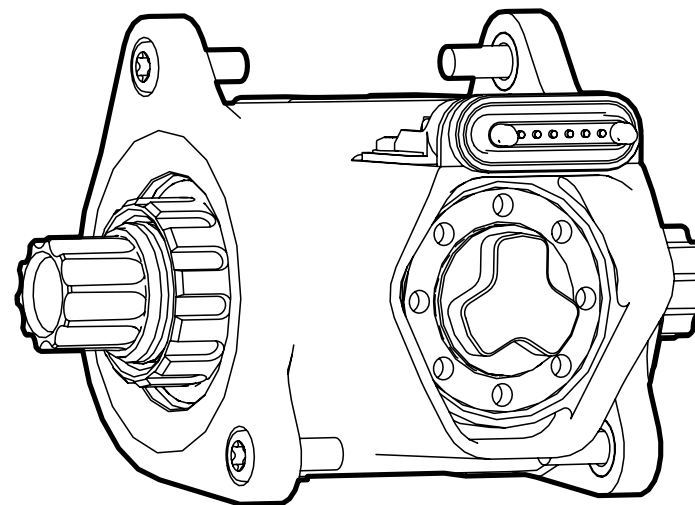
- Le vélo électrique n'est pas déplacé et qu'aucun bouton n'est appuyé sur la commande à distance pendant 10 h.
- L'état de charge de la batterie est inférieur à 30 %, que le vélo n'est pas déplacé et qu'aucun bouton n'est appuyé sur la commande à distance pendant 3 h.

Notes pour la conduite du vélo électrique


- Les vitesses du vélo doivent être utilisées comme pour une bicyclette standard. Indépendamment du type de vitesses, il est recommandé de s'arrêter brièvement de pédaler pendant le changement de vitesse. Cela réduit les efforts sur l'embrayage et la transmission.
- L'utilisation de la bonne vitesse augmente la vitesse, la puissance et la portée du vélo électrique avec le même effort de pédalage.
- Il est recommandé d'acquérir progressivement de l'expérience avec le vélo électrique loin des routes et du trafic. Tester la portée du vélo électrique dans différentes conditions avant de planifier des circuits longs.
- Il n'est pas possible de prévoir avec précision la portée du système avant ou pendant une conduite. La portée du vélo électrique est influencée par de nombreux facteurs :
 - Niveau d'assistance
 - Vitesse
 - Gestion des vitesses
 - Type et pression des pneus
 - Route et conditions météorologiques
 - Poids du vélo et du cycliste
 - Âge de la batterie
- Prudence avec les températures de service et de stockage des composants du vélo électrique. Notamment le pack batterie peut être endommagé par des températures extrêmes.

evATION 1.0

Axe de pédalier






Consignes de sécurité

Important ! Veuillez lire attentivement les avertissements de sécurité  et instructions pour tous les composants du système d'entraînement ainsi que pour le vélo électrique.

Important ! Veuillez lire attentivement les consignes de sécurité. Toute négligence dans le respect de ces consignes de sécurité peut provoquer des chocs électriques, des incendies ou des blessures graves.

Conserver tous les avertissements de sécurité et les instructions pour future référence.

-  **Ne pas ouvrir l'axe de pédalier vous-même.** L'axe de pédalier est sans entretien. Il ne doit être ouvert que par des experts qualifiés et réparé avec des pièces de rechange d'origine. L'ouverture non autorisée d'un système entraîne l'expiration de la garantie.
-  **Tous les composants de l'axe de pédalier et du vélo électrique doivent uniquement être remplacés par des composants identiques ou spécialement agréés par le fabricant du vélo électrique.** Cela protège le pack moteur des dommages.
-  **Ne pas modifier l'axe de pédalier, ni ajouter un autre produit, non agréé, pour améliorer sa performance.**

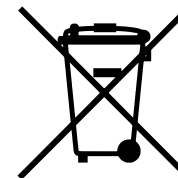
Nettoyage, maintenance et service après-vente

Maintenir tous les composants du vélo électrique et du système d'entraînement propres. Veiller spécialement aux fiches et aux interfaces entre le pack batterie et le pack moteur, ainsi qu'entre le pack moteur et l'axe de pédalier. Avant chaque utilisation, s'assurer qu'ils sont totalement secs.

Maintenir le radiateur du pack moteur propre en améliorera la capacité de refroidissement. Graisser la serrure tous les quelques mois ou quand son fonctionnement devient plus difficile avec le temps. Ne pas immerger les composants du système d'entraînement, ni les nettoyer avec un nettoyeur à haute pression. Nettoyer tous les composants du système d'entraînement avec précaution, avec un chiffon ou une brosse douce.

Pour toute information concernant la révision de votre système d'entraînement, veuillez contacter votre partenaire de service FAZUA ou visiter la plateforme de service FAZUA (www.fazua.com/service).

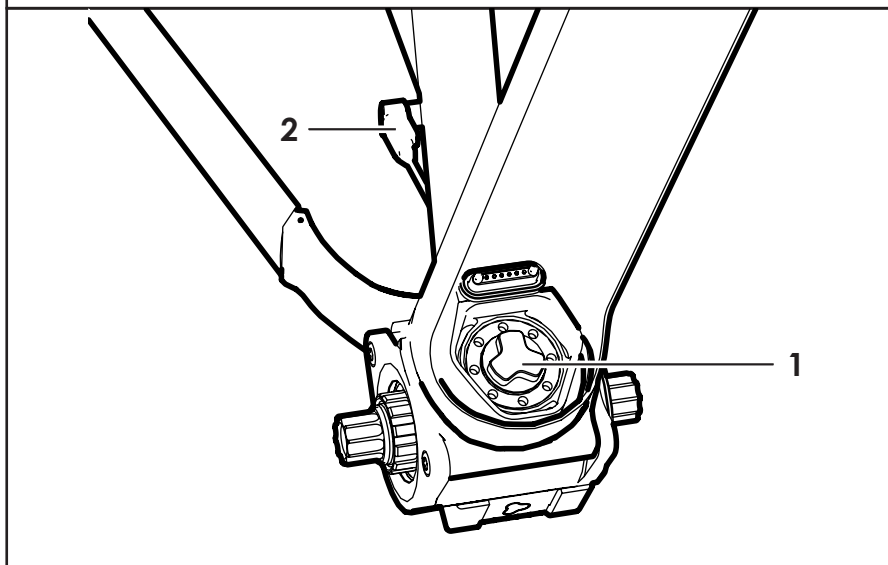
Élimination



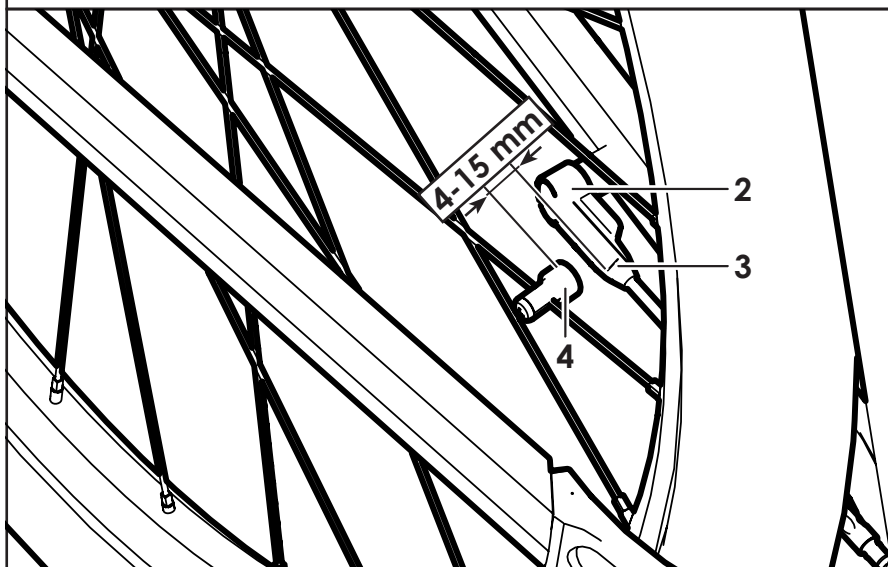
L'axe de pédalier, le pack moteur, la commande à distance, la batterie, le chargeur, les accessoires et l'emballage doivent être éliminés de manière écologique. Ne pas jeter les vélos électriques et leurs composants dans les ordures ménagères.

Uniquement pour les pays de l'UE : Conformément à la directive européenne 2012/19/UE, les équipements électriques cassés et, conformément à la directive européenne 2006/66/CE, les batteries usagées doivent être stockés séparément et éliminés de manière écologique.

Axe de pédalier 1



Capteur de vitesse 2



Description et spécifications

Caractéristiques

La numérotation se réfère aux illustrations au début de ce manuel. Les illustrations montrent les différents composants de l'axe de pédalier. Les illustrations individuelles de ce manuel peuvent légèrement différer des pièces réelles en fonction de l'équipement du vélo électrique.

1. Axe de pédalier
2. Capteur de vitesse
3. Repère de position de l'aimant
4. Aimant du capteur de vitesse fixé sur rayon

Spécifications

Axe de pédalier		
Référence article		01-2018-002-01
Couple d'assistance, max.	Nm	60
Facteur de qualité, min.	mm	135 (sans bras de manivelle)
Température de service	°C	-20 à +60
Température de stockage	°C	-20 à +60
Degré de protection		IP 54
Ligne de chaîne	mm	49,52
Poids, approximatif	kg	1,3

Assemblage

Ajustement du capteur de vitesse

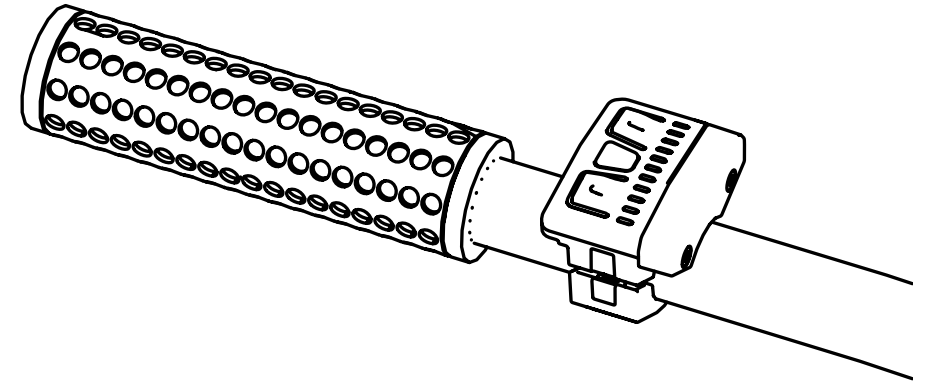
Le **capteur de vitesse (2)** et l'**aimant sur rayon (4)** doivent réaliser 2 conditions :

- La position de l'**aimant (4)** sur le rayon doit permettre à l'**aimant (4)** de passer devant le **repère de position de l'aimant (3)**.
- La distance entre le **capteur de vitesse (2)** et l'**aimant sur rayon (4)** doit être de 4-15 mm lorsqu'ils sont face à face.


Remarque ! Si la distance entre le **capteur de vitesse (2)** et l'**aimant sur rayon (4)** n'est pas bonne ou si le **capteur de vitesse (2)** n'est pas branché correctement, le vélo roulera avec un « défaut mineur » indiqué sur la commande à distance (voir **instructions de la commande à distance**). Si cela arrive, desserrer la vis de l'**aimant sur rayon (4)** et la resserrer en s'assurant que l'aimant passe devant le **repère du capteur de vitesse (3)** en maintenant la bonne distance. Si cela ne résout pas le problème, contacter un revendeur de bicyclettes agréé ou visiter la plateforme de service FAZUA (www.fazua.com/service)

evation I.O

Commande à distance





Consignes de sécurité

Important ! Veuillez lire attentivement les avertissements de sécurité  et instructions pour tous les composants du système d'entraînement ainsi que pour le vélo électrique.

Important ! Veuillez lire attentivement les consignes de sécurité. Toute négligence dans le respect de ces consignes de sécurité peut provoquer des chocs électriques, des incendies ou des blessures graves.

Conserver tous les avertissements de sécurité et les instructions pour future référence.

 **Ne pas ouvrir les composants du système d'entraînement vous-même.** Les composants sont sans entretien. Ils ne doivent être ouverts que par des experts qualifiés et réparés avec des pièces de rechange d'origine. L'ouverture non autorisée d'un système entraîne l'expiration de la garantie.

 **Restez conscient du trafic et de l'environnement en manipulant la commande à distance evation. Il y a un risque d'accident si vous ne vous concentrez pas sur le trafic.**

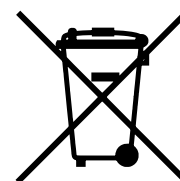
Nettoyage, maintenance et service après-vente

Maintenir tous les composants du vélo électrique et du système d'entraînement propres. Veiller spécialement aux fiches et aux interfaces entre le pack batterie et le pack moteur, ainsi qu'entre le pack moteur et l'axe de pédalier. Avant chaque utilisation, s'assurer qu'ils sont totalement secs.

Maintenir le radiateur du pack moteur propre en améliorera la capacité de refroidissement. Graisser la serrure tous les quelques mois ou quand son fonctionnement devient plus difficile avec le temps. Ne pas immerger les composants du système d'entraînement, ni les nettoyer avec un nettoyeur à haute pression. Nettoyer tous les composants du système d'entraînement avec précaution, avec un chiffon ou une brosse douce.

Pour toute information concernant la révision de votre système d'entraînement, veuillez contacter votre partenaire de service FAZUA ou visiter la plateforme de service FAZUA (www.fazua.com/service).

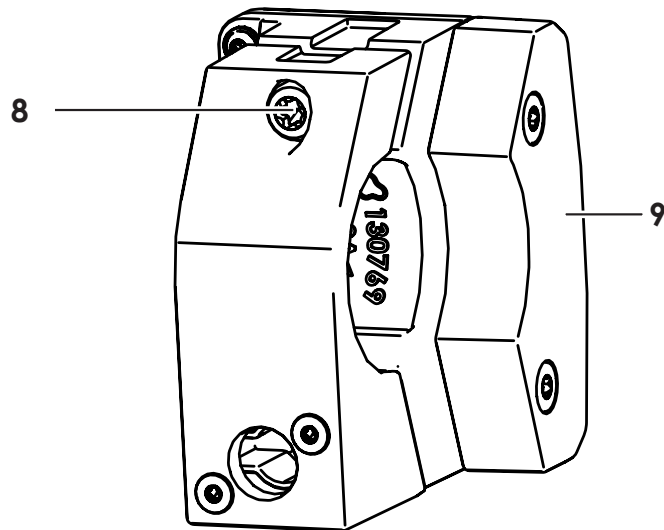
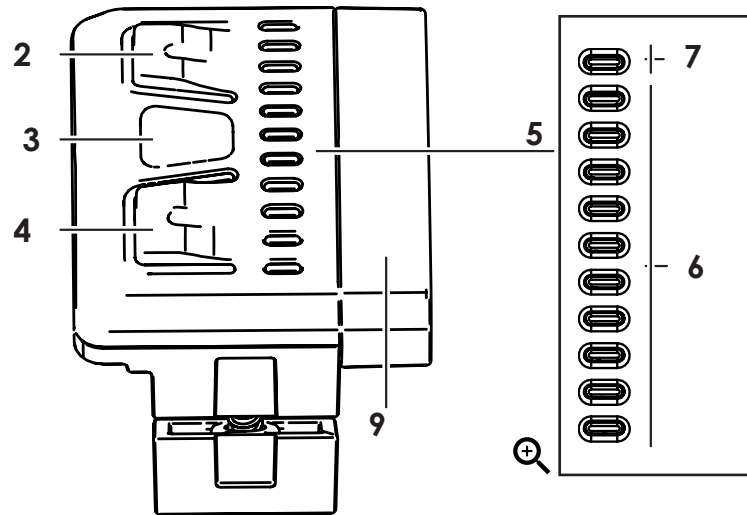
Élimination



L'axe de pédalier, le pack moteur, la commande à distance, la batterie, le chargeur, les accessoires et l'emballage doivent être éliminés de manière écologique. Ne pas jeter les vélos électriques et leurs composants dans les ordures ménagères.

Uniquement pour les pays de l'UE : Conformément à la directive européenne 2012/19/UE, les équipements électriques cassés et, conformément à la directive européenne 2006/66/CE, les batteries usagées doivent être stockés séparément et éliminés de manière écologique.

Commande à distance 1



Description et spécifications

Objet

La commande à distance est prévue pour commander le système d'entraînement evation de FAZUA et pour afficher certaines données de conduite. La commande à distance ne doit pas être utilisée à d'autres fins.

Caractéristiques

La numérotation se réfère aux illustrations au début de ce manuel. Les illustrations montrent les différents composants de la commande à distance. Les illustrations individuelles de ce manuel peuvent légèrement différer des pièces réelles en fonction de l'équipement du vélo électrique.

1. Commande à distance
2. Bouton « Haut »
3. Bouton central
4. Bouton « Bas »
5. Barre d'affichage
6. Barre de l'état de charge/du niveau d'assistance
7. Indicateur de notification
8. Vis de fixation
9. Port additionnel

Spécifications

Commande à distance		
Référence article		01-2018-003
Température de service	°C	-20 à +60
Température de stockage	°C	-20 à +60
Degré de protection		IP 54
Poids, approximatif	kg	0,075

Fonctionnement

Conditions requises

Pour faire fonctionner le système d'entraînement de vélo électrique, les conditions suivantes doivent être respectées :

- Le pack batterie est suffisamment chargé, inséré et allumé (voir **instructions du pack batterie**).
- Le pack moteur est monté dans le vélo électrique.
- Le capteur de vitesse est correctement branché sur l'axe de pédalier et l'aimant sur rayon placé correctement (voir **instructions de l'axe de pédalier**).

Mise en marche/arrêt du système de vélo électrique

Pour **mettre en marche** le vélo électrique, appuyer sur **n'importe quel bouton de la commande à distance (2, 3, 4)**. La **commande à distance (1)** affichera brièvement l'animation de démarrage puis passera en mode opérationnel.

Pour **arrêter** le vélo électrique depuis la **commande à distance (1)**, appuyer sur le **bouton central (3)** de la **commande à distance (1)** et le maintenir appuyé pendant 2 secondes.

Les options alternatives pour arrêter le vélo électrique sont :

- Démonter le pack moteur du vélo (voir **instructions du pack moteur**).
- Arrêter le pack batterie (voir **instructions du pack batterie**).
- Laisser le vélo électrique entrer en état d'inactivité (voir **instructions du pack moteur**).

 **Remarque !** Toujours arrêter le système du vélo électrique en garant celui-ci.

Affichage de la commande à distance

La **barre d'affichage (5)** de la **commande à distance (1)** se compose de 11 LED.

- La LED du haut est l'**indicateur de notification (7)** prévu pour indiquer l'état du vélo électrique.
- Les 10 autres LED sont prévues pour la **barre de l'état de charge et du niveau d'assistance (6)**.

Barre de l'état de charge et du niveau d'assistance

La **barre de l'état de charge et du niveau d'assistance (6)** affiche 2 paramètres :

- L'état de charge du pack batterie.
- Le niveau d'assistance sélectionné du vélo électrique.

L'état de charge du pack batterie est indiqué par le nombre de LED allumées. Chaque LED représente 10 % de la capacité totale. Lorsque le pack batterie est à pleine charge, les 10 LED sont allumées. Cependant, si le pack batterie est vide, aucune LED ne s'allume.


Le niveau d'assistance sélectionné est représenté par la couleur de la **barre (6)**. Cette **barre (6)** peut afficher 4 couleurs possibles, renvoyant chacune à un des 4 différents niveaux d'assistance.

Indicateur de notification

L'**indicateur de notification (7)** affiche des notifications d'erreurs ou d'événements survenant dans le vélo électrique. Si aucune erreur n'est détectée, l'indicateur de notification ne doit pas s'allumer.

Les différentes couleurs de l'**indicateur de notification (7)** ont différentes significations :

- **Vert** : L'**indicateur de notification (7)** clignote brièvement en vert lorsque le pack moteur est monté dans le vélo électrique. Cela donne un retour visuel indiquant que le système est prêt à être mis en marche.
- **Jaune** : L'**indicateur de notification (7)** s'allume en jaune lorsqu'un « **Défaut mineur** » est détecté. Cela signifie la présence de défauts temporaires ou mineurs et, probablement, une limitation de la performance. Conduire le vélo électrique avec un « **Défaut mineur** » est possible mais non recommandé.
- **Rouge** : L'**indicateur de notification (7)** s'allume en rouge lorsqu'un « **Défaut majeur** » est détecté. Le système du vélo électrique ne fonctionnera pas en présence d'un « **Défaut majeur** » et aura besoin d'une maintenance.

 **Remarque !** La cause la plus habituelle d'un « **Défaut mineur** » sur votre vélo électrique est l'absence d'information en provenance du capteur de vitesse (voir **instructions de l'axe de pédalier, Assemblage**).

En cas de « **Défaut mineur** » permanent, tenter de remonter l'aimant du capteur de vitesse (voir **instructions de l'axe de pédalier**). Si le problème persiste, contacter votre partenaire de service FAZUA ou visiter la plateforme officielle de service FAZUA (www.fazua.com/service).

En cas de « **Défaut majeur** » permanent, contacter votre partenaire de service FAZUA ou visiter la plateforme officielle de service FAZUA (www.fazua.com/service).

Réglage du niveau d'assistance

La **commande à distance (1)** permet de régler le niveau d'assistance du système du vélo électrique lorsqu'on pédale. Le niveau d'assistance peut être réglé à tout moment, même pendant la conduite. Pour changer de niveau d'assistance, appuyer sur les **boutons haut/bas (2, 4)** de la **commande à distance (1)**.


Les niveaux d'assistance suivants sont disponibles :

- **Aucune assistance (blanc)** : L'assistance du moteur est arrêtée. Le vélo électrique peut être conduit comme une bicyclette normale.
- **Brise (vert)** : Assistance efficace pour maximiser la portée du vélo électrique.
- **Rivière (bleu)** : Assistance continue convenant à la plupart des scénarios.
- **Fusée (rose)** : Assistance maximale pour les circuits les plus exigeants.


Niveau d'assistance	Couleur	Facteur d'assistance max.	Puissance max.
Aucune assistance	Blanc	0 %	0 W
Brise	Vert	75 %	125 W
Rivière	Bleu	150 %	250 W
Fusée	Rose	240 %	400 W

Mise en marche du mode d'assistance à la marche

La fonction d'assistance à la marche aide à pousser le vélo électrique. La vitesse du vélo électrique en mode d'assistance à la marche peut varier en fonction de la vitesse réglée, avec une vitesse maximale de 6 km/h. L'utilisateur peut réduire lui-même la vitesse du vélo électrique en le tenant fermement pendant qu'il marche.

 **Avertissement !** Le mode d'assistance à la marche est uniquement prévu pour une utilisation pendant que le vélo électrique est poussé. Un mauvais usage du mode d'assistance à la marche entraîne un risque de blessures.

Pour **activer** le mode d'assistance à la marche, régler le système sur le mode « Sans assistance » sur la commande à distance (voir **instructions de la commande à distance**). Ensuite, appuyer sur le bouton « Bas » de la commande à distance et le maintenir appuyé. Le mode d'assistance à la marche se met en marche au bout de 2 secondes.

 **Avertissement !** S'assurer que les mains tiennent fermement le guidon du vélo électrique pendant l'utilisation de cette fonction sous peine de perdre momentanément le contrôle du vélo électrique.

L'assistance à la marche s'arrête lorsque :

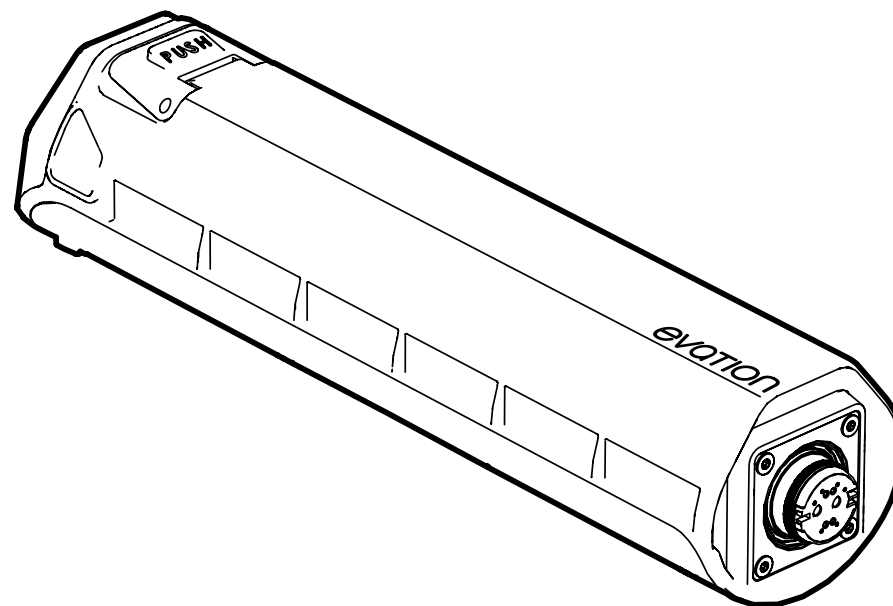
- Le **bouton « Bas » (4)** est relâché.
- Les roues du vélo électrique sont bloquées.
- La vitesse dépasse 6 km/h.

Guide rapide de la commande à distance

Action	Bouton	Durée
Mise en marche	Sans importance	Sans importance
Arrêt	Central	2 s
Augmentation du niveau d'assistance	Haut	Sans importance
Diminution du niveau d'assistance	Bas	Sans importance
Activation du mode d'assistance à la marche	1. (En mode Sans assistance) 2. Bas	> 2 s

evation 1.0


Pack batterie 7000



fr Instructions originales











 FAZUA

Consignes de sécurité


Important ! Veuillez lire attentivement les avertissements de  sécurité et instructions pour tous les composants du système d'entraînement ainsi que pour le vélo électrique.


Important ! Veuillez lire attentivement les consignes de sécurité. Toute négligence dans le respect de ces consignes de sécurité peut provoquer des chocs électriques, des incendies ou des blessures graves.

Conserver tous les avertissements de sécurité et les instructions pour future référence.

-  **Retirer le pack batterie du pack moteur avant d'effectuer des travaux de nettoyage.** De l'humidité au niveau des contacts du pack moteur au moment d'insérer le pack batterie peut endommager le pack batterie.
-  **Ne pas ouvrir le pack batterie.** Risque d'explosion. L'ouverture du pack batterie fait expirer immédiatement la garantie.
-  **Utiliser le pack batterie exclusivement sur des vélos électriques munis d'un système d'entraînement FAZUA evation d'origine.**
-  **Utiliser uniquement des packs batterie evation agréés par le fabricant de vélos électriques.** L'utilisation de batteries non agréées peut provoquer des blessures ou un incendie. FAZUA décline toute responsabilité pour l'utilisation de batteries non agréées.
-  **Utiliser uniquement les chargeurs FAZUA d'origine pour recharger le pack batterie.** FAZUA décline toute responsabilité pour des dommages provoqués par l'utilisation de chargeurs non agréés.
-  **Tenir le pack batterie éloigné de la chaleur, du feu et de l'eau.** Risque d'explosion.
-  **Protéger le pack batterie contre les chocs ou contraintes mécaniques.** Risque de dommages et d'émission de fumées pouvant irriter le système respiratoire. Amener de l'air frais et consulter un médecin en cas de malaise.
-  **Faire attention aux objets métalliques, tels que des pièces, des trombones, des vis, etc., à proximité du pack batterie.** Ils peuvent réaliser une connexion entre les terminaux du pack batterie. Risque d'incendie. Des dommages survenus dans ces conditions ne sont pas couverts par la garantie.
-  **Tenir le pack batterie éloigné des matières inflammables. S'assurer que le pack batterie est sec et placé dans une zone ignifugée pendant la charge.** La chaleur dégagée pendant la charge peut provoquer un incendie.
-  **Ne pas laisser le pack batterie sans surveillance pendant la charge.**

 **Ne jamais utiliser ou charger un pack batterie endommagé.**

 **Éviter tout contact avec un liquide qui pourrait s'échapper du pack batterie.** Rincer abondamment sous l'eau en cas de contact avec un tel liquide. Tout contact avec un tel liquide peut provoquer des irritations et des brûlures. En cas de contact avec les yeux, consulter un médecin.

 **Tenir le pack batterie et le chargeur éloigné des stimulateurs cardiaques. Des connecteurs magnétiques peuvent avoir une incidence sur leur fonctionnement.**

 **Tenir le pack batterie hors d'atteinte des enfants.**

Nettoyage, maintenance et service après-vente

Maintenir tous les composants du vélo électrique et du système d'entraînement propres. Veiller spécialement aux fiches et aux interfaces entre le pack batterie et le pack moteur, ainsi qu'entre le pack moteur et l'axe de pédalier. Avant chaque utilisation, s'assurer qu'ils sont totalement secs.

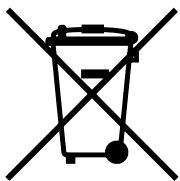
Maintenir le radiateur du pack moteur propre en améliorera la capacité de refroidissement. Graisser la serrure tous les quelques mois ou quand son fonctionnement devient plus difficile avec le temps. Ne pas immerger les composants du système d'entraînement, ni les nettoyer avec un nettoyeur à haute pression. Nettoyer tous les composants du système d'entraînement avec précaution, avec un chiffon ou une brosse douce.

Pour toute information concernant la révision de votre système d'entraînement, veuillez contacter votre partenaire de service FAZUA ou visiter la plateforme de service FAZUA (www.fazua.com/service).

Transport

Les batteries sont soumises à la réglementation sur les matières dangereuses. Les batteries intactes peuvent être transportées sur la route par des particuliers. Pour un transport commercial, respecter la réglementation relative à l'emballage, à l'identification et au transport des matières dangereuses. Couvrir les fiches ouvertes et emballer la batterie de manière étanche. Faire comprendre au service de livraison qu'il transporte une matière dangereuse. Pour toute autre question, veuillez contacter un partenaire de service FAZUA ou visiter la plateforme officielle de service FAZUA (www.fazua.com/service).

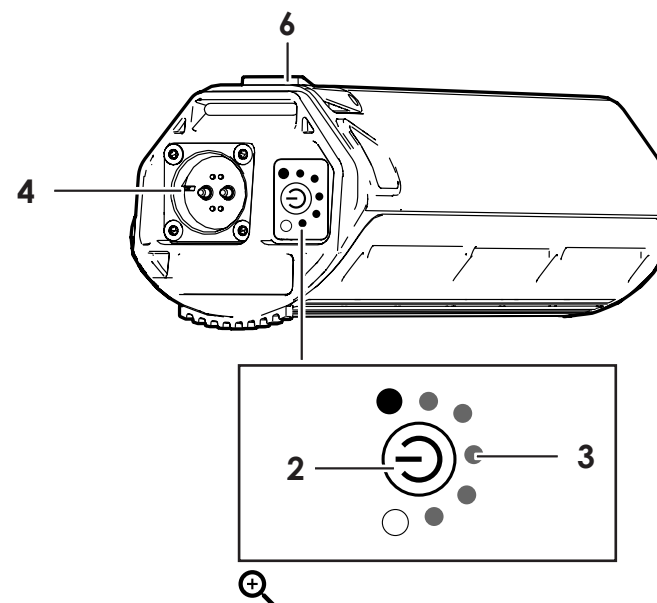
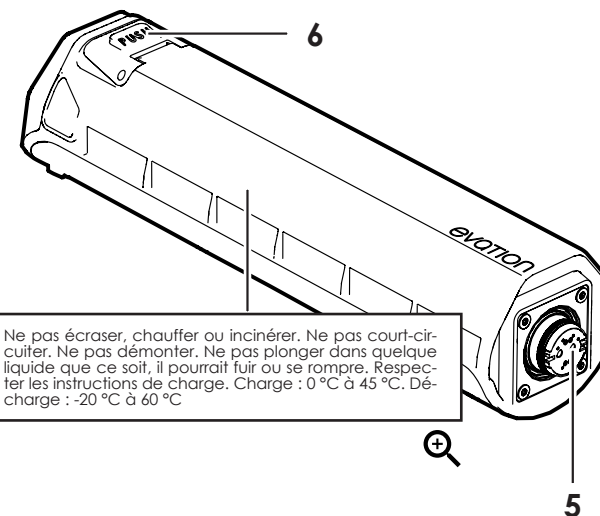
Élimination



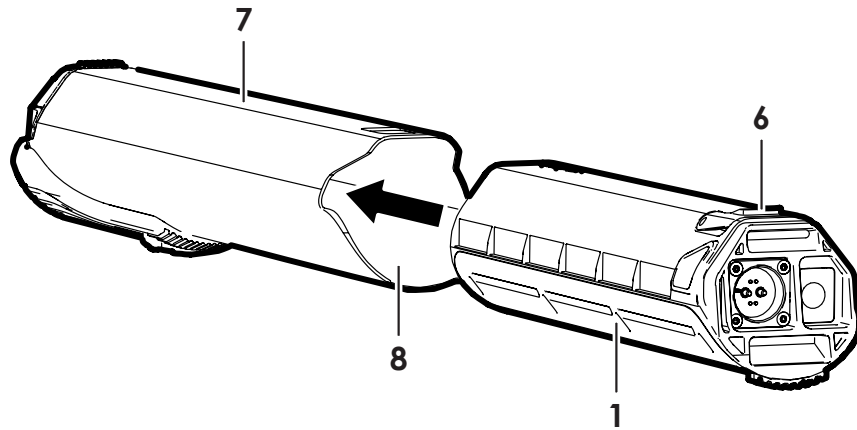
L'axe de pédalier, le pack moteur, la commande à distance, la batterie, le chargeur, les accessoires et l'emballage doivent être éliminés de manière écologique. Ne pas jeter les vélos électriques et leurs composants dans les ordures ménagères.

Uniquement pour les pays de l'UE : Conformément à la directive européenne 2012/19/UE, les équipements électriques cassés et, conformément à la directive européenne 2006/66/CE, les batteries usagées doivent être stockés séparément et éliminés de manière écologique.

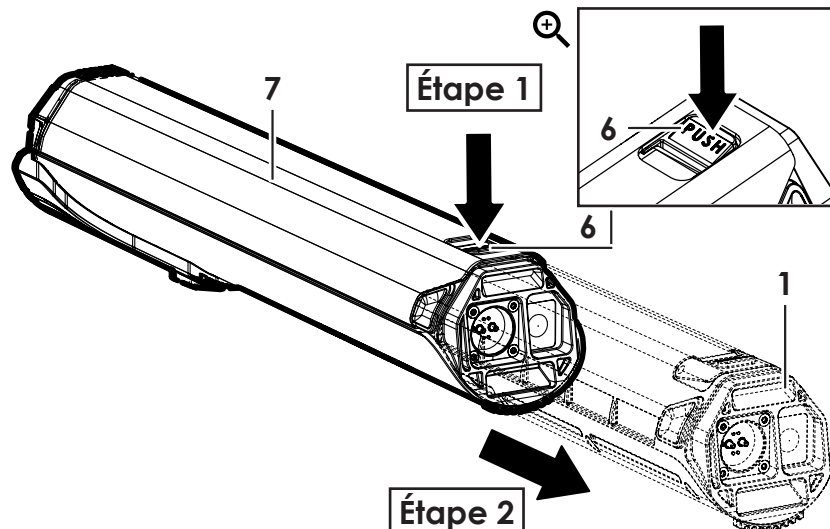
Pack batterie 1



Action A



Action B



Description et spécifications

Caractéristiques

La numérotation se réfère aux illustrations au début de ce manuel. Les illustrations montrent les différents composants du pack batterie. Les illustrations individuelles de ce manuel peuvent légèrement différer des pièces réelles en fonction de l'équipement du vélo électrique.

1. Pack batterie
2. Bouton marche/arrêt
3. Indicateur de fonctionnement et de contrôle de charge
4. Prise femelle pour connecteur de charge
5. Connecteur au pack moteur
6. Rabat de fixation
7. Pack moteur
8. Ouverture pour batterie


Spécifications


Pack batterie au lithium 7000		
Référence article		01-2018-004
Tension nominale	V	36
Puissance nominale	Ah	7
Énergie	Wh	252
Température de service	°C	-20 à +60
Température de stockage	°C	-20 à +60
Température de décharge	°C	-20 à +60
Température de charge	°C	0 à +45
Degré de protection		IP 54
Poids, approximatif	kg	1,4

* Le dépassement de ces limites peut entraîner une réduction de puissance.

Assemblage

 **Avertissement ! Lire attentivement et respecter les instructions du pack batterie (1).**

 **Avertissement ! Faire attention au pack batterie (1) avant chaque utilisation et avant de le mettre en charge. S'assurer que les terminaux et les surfaces sont propres.**

 **Avertissement ! Avant d'utiliser ou de charger le pack batterie (1), toujours vérifier l'absence de dommages, tels que fissures ou brûlures. Ne jamais utiliser ou charger un pack batterie (1) endommagé.** Veuillez contacter votre partenaire de service FAZUA ou visiter la plateforme officielle de service FAZUA (www.fazua.com/service).

Première vérification du pack batterie

Vérifier le **pack batterie (1)** avant de le charger ou de l'utiliser pour la première fois.

Appuyer sur le **bouton marche/arrêt (2)** du **pack batterie (1)**. Si toutes les LED de l'indicateur de contrôle de charge (3) ne sont pas allumées, charger entièrement le pack batterie avant sa première utilisation. Si aucune LED de l'**indicateur de contrôle de charge (3)** ne s'allume, le **pack batterie (1)** peut être endommagé.

Après la première utilisation et avant chaque utilisation, toujours allumer le **pack batterie (1)** en appuyant sur le **bouton marche/arrêt (2)**.

Charge du pack batterie

 **Important ! Veuillez lire attentivement les instructions du chargeur avant de procéder à la première charge.**

Le **pack batterie (1)** peut être rechargé à tout moment, seul, dans un pack moteur ou dans votre vélo électrique (voir **Instructions d'assemblage du pack moteur**). Le processus de charge peut être interrompu à n'importe quel moment.

Pour assurer la pleine capacité de votre **pack batterie (1)**, charger le **pack batterie (1)** entièrement avant sa première utilisation.

Si le **pack batterie (1)** ne se trouve pas dans la plage de température de charge, il ne chargera pas, même si le chargeur est connecté. Il attendra d'atteindre la température de charge avant de démarrer.


Indicateur de contrôle de charge

Lorsque le **pack batterie (1)** est allumé, l'animation de démarrage est montrée sur l'**indicateur de contrôle de charge (3)**. Ensuite, les LED montreront brièvement l'**état de charge (3)** du **pack batterie (1)**.

Une fois le **pack batterie (1)** allumé, l'état de charge peut être vérifié en appuyant brièvement sur le **bouton marche/arrêt (2)**.

Chaque LED correspond à 20 % de la capacité. Lorsque la charge est totale, les cinq LED sont allumées. Toutefois, lorsque la charge est vide, seule la dernière LED s'allumera par intermittence. L'état de charge du **pack batterie (1)** est également affiché sur la commande à distance (voir **instructions de la commande à distance**).


Insertion/retrait du pack batterie

 **Avertissement ! S'assurer que le pack batterie (1) et le pack moteur (7) sont propres, sinon la friction due aux salissures peut compliquer cette opération.**

Pour **insérer le pack batterie (1) dans le pack moteur (7)**, tenir le **pack moteur (7)** d'une main et le **pack batterie (1)** de l'autre. S'assurer que le **connecteur au pack moteur (5)** fait face à l'**ouverture pour batterie (8)**. Approcher les deux et faire glisser le **pack batterie (1)** doucement dans l'**ouverture pour batterie (8)** du **pack moteur (7) (Action A)**. Une fois le **pack batterie (1)** entièrement inséré, le **rabat de fixation (6)** verrouillera automatiquement le **pack batterie (1)**.

Pour retirer le **pack batterie (1)** du **pack moteur (7)**, appuyer sur le **rabat de fixation (6)** et tirer simultanément le **pack batterie (1)** hors de l'**ouverture pour batterie (8) (Action B)**.

Fonctionnement

 **Remarque !** Le **pack batterie (1)** est protégé contre les courts-circuits, la surchauffe, la surcharge et la décharge profonde. Cette protection peut automatiquement arrêter le **pack batterie (1)** s'il y a un risque.

Mise en marche/arrêt du pack batterie

Le **pack batterie (1)** peut être mis en marche/arrêté indifféremment dans le **pack moteur (7)** ou hors de celui-ci.

Pour **mettre en marche** le **pack batterie (1)**, appuyer sur le **bouton marche/arrêt (2)**. Les LED de l'**indicateur de contrôle de charge (3)** afficheront une animation de démarrage, puis brièvement l'état de charge.

Pour **arrêter** le **pack batterie (1)**, appuyer le **bouton marche/arrêt (2)** et le maintenir appuyé pendant 2 secondes. Les LED de l'**indicateur de contrôle de charge (3)** afficheront une animation d'arrêt, puis le **pack batterie (1)** s'arrête.

Si le vélo électrique atteint l'état d'inactivité, le **pack batterie (1)** s'arrête pour économiser l'énergie restante (voir **instructions du pack moteur, Inactivité**). De même, si un **pack batterie (1)** autonome passe 12 h sans être inséré dans un **pack moteur (7)**, connecté à un chargeur ou sans pression sur son bouton, il s'arrêtera pour économiser l'énergie restante.

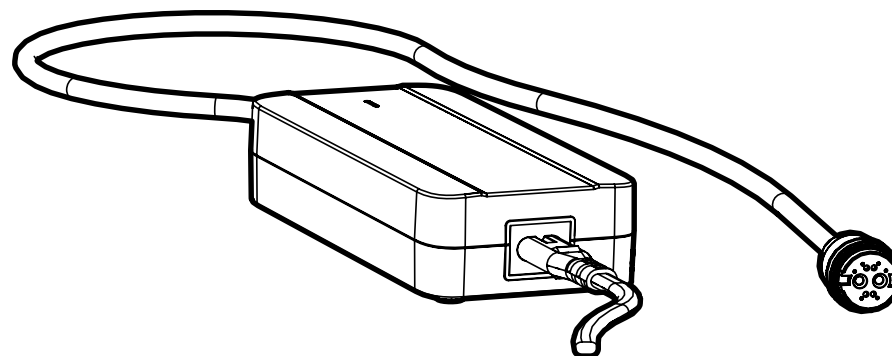
Bonnes pratiques pour votre pack batterie

 **Remarque !** Stocker le **pack batterie (1)** déchargé pendant une période prolongée peut sérieusement endommager le pack batterie ou considérablement réduire sa capacité.

- La durée de vie du **pack batterie (1)** peut être prolongée s'il est maintenu correctement. Veiller aux températures de fonctionnement et de stockage.
- Ne pas laisser le **pack batterie (1)** branché en permanence sur le chargeur.
- Charger le **pack batterie (1)** jusqu'à un état de charge de 60 % avant de le laisser inutilisé pendant une durée prolongée. Vérifier le **pack batterie (1)** après 6 mois et, si l'état de charge est de 20 % ou moins, le recharger jusqu'à 60 %.
- Temps de stockage avec un état de charge de 60 % :
 - 1 mois : -20 à 60 °C
 - 3 mois : -20 à 45°C
 - 1 an : -20 à 25°C
- Stocker le **pack batterie (1)** dans un endroit sec et bien aéré. Une température entre +5 °C et +20 °C est optimale.
- Si les conditions météorologiques ne sont pas favorables, retirer le **pack moteur (7)** et le **pack batterie (1)** du vélo électrique et les conserver à l'abri jusqu'à la prochaine utilisation.
- Il n'est pas recommandé de stocker le **pack batterie (1)** dans le vélo électrique.

evATION 1.0

Chargeur



Consignes de sécurité

Important ! Veuillez lire attentivement les avertissements de sécurité ⚠ et instructions pour tous les composants du système d'entraînement ainsi que pour le vélo électrique.

Important ! Veuillez lire attentivement les consignes de sécurité. Toute négligence dans le respect de ces consignes de sécurité peut provoquer des chocs électriques, des incendies ou des blessures graves.

Conserver tous les avertissements de sécurité et les instructions pour future référence.

- ⚠ **Tenir le chargeur éloigné de l'eau ou de l'humidité.** En cas de non-respect, il y a un risque élevé de choc électrique.
- ⚠ **Charger uniquement des packs batterie evation agréés par le fabricant de vélos électriques.** En cas de non-respect, il y a un risque d'incendie et d'explosion.
- ⚠ **Ne pas ouvrir le chargeur.** Il ne doit être ouvert que par des experts qualifiés et réparé avec des pièces de rechange d'origine.
- ⚠ **Vérifier le chargeur, le câble et la prise avant chaque utilisation. Ne pas l'utiliser s'il est endommagé.** Il y a un risque élevé de choc électrique.
- ⚠ **Maintenir le chargeur propre.** Des salissures sur le chargeur augmentent le risque de choc électrique.
- ⚠ **Tenir le chargeur et le pack batterie éloigné des matières inflammables. S'assurer que le chargeur et le pack batterie sont secs et placés dans une zone ignifugée pendant la charge.** La chaleur dégagée pendant la charge peut provoquer un incendie.
- ⚠ **Prudence en cas de contact avec le chargeur pendant la charge ou juste après la fin de la charge.** Le chargeur peut considérablement chauffer.
- ⚠ **Ne pas laisser le chargeur sans surveillance pendant la charge.**
- ⚠ **Tenir le chargeur hors d'atteinte des enfants.**

- ⚠ **Les personnes incapables d'une utilisation sûre du chargeur ne doivent l'utiliser que sous supervision.**
- ⚠ **Des fumées peuvent s'échapper de la batterie si elle est endommagée.** Amener de l'air frais et consulter un médecin en cas de malaise.
- ⚠ **Tenir le pack batterie et le chargeur éloigné des stimulateurs cardiaques. Des connecteurs magnétiques peuvent avoir une incidence sur leur fonctionnement.**

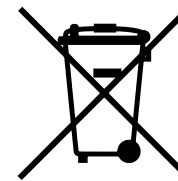
Nettoyage, maintenance et service après-vente

Maintenir tous les composants du vélo électrique et du système d'entraînement propres. Veiller spécialement aux fiches et aux interfaces entre le pack batterie et le pack moteur, ainsi qu'entre le pack moteur et l'axe de pédalier. Avant chaque utilisation, s'assurer qu'ils sont totalement secs.

Maintenir le radiateur du pack moteur propre en améliorera la capacité de refroidissement. Graisser la serrure tous les quelques mois ou quand son fonctionnement devient plus difficile avec le temps. Ne pas immerger les composants du système d'entraînement, ni les nettoyer avec un nettoyeur à haute pression. Nettoyer tous les composants du système d'entraînement avec précaution, avec un chiffon ou une brosse douce.

Pour toute information concernant la révision de votre système d'entraînement, veuillez contacter votre partenaire de services FAZUA ou visiter la plateforme de service FAZUA (www.fazua.com/service).

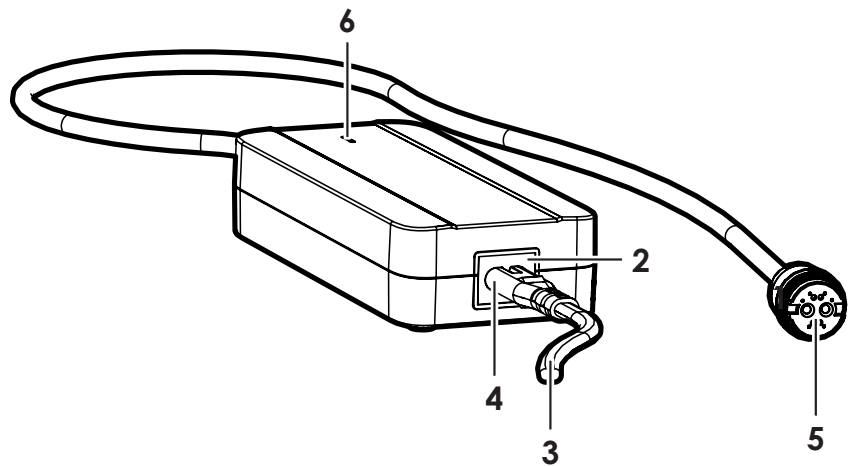
Élimination



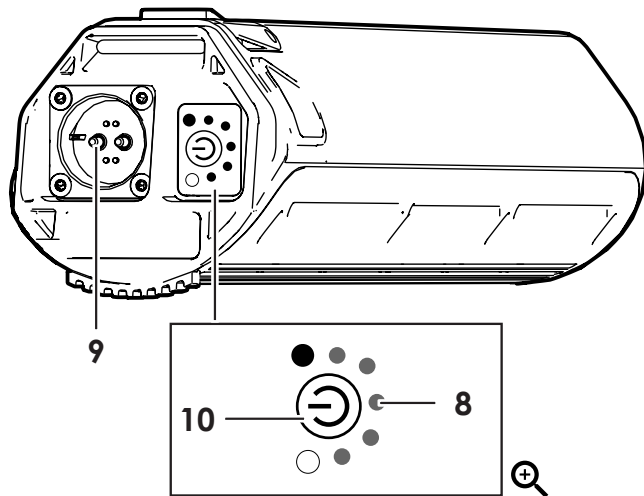
L'axe de pédalier, le pack moteur, la commande à distance, la batterie, le chargeur, les accessoires et l'emballage doivent être éliminés de manière écologique. Ne pas jeter les vélos électriques et leurs composants dans les ordures ménagères.

Uniquement pour les pays de l'UE : Conformément à la directive européenne 2012/19/UE, les équipements électriques cassés et, conformément à la directive européenne 2006/66/CE, les batteries usagées doivent être stockés séparément et éliminés de manière écologique.

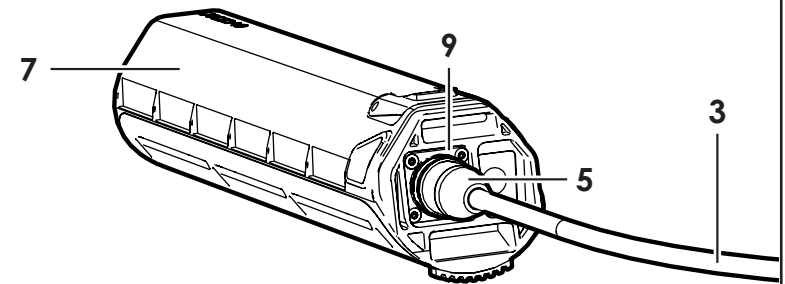
Chargeur 1



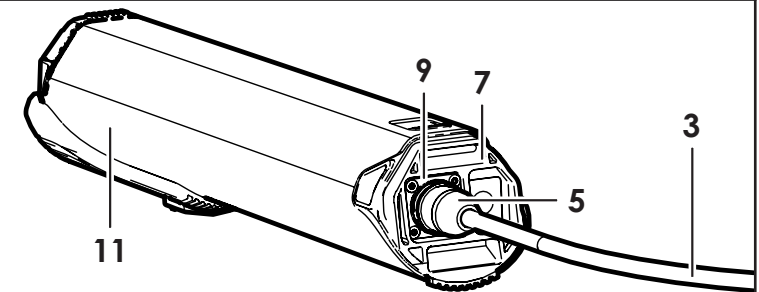
Pack batterie 7



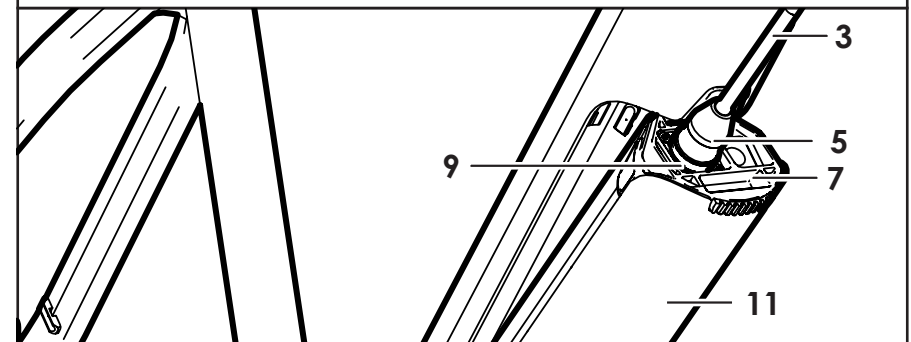
Action A



Action B



Action C



Description et spécifications

Caractéristiques

La numérotation se réfère aux illustrations au début de ce manuel. Les illustrations montrent les différents composants du chargeur et d'autres modules FAZUA. Les illustrations individuelles de ce manuel peuvent légèrement différer des pièces réelles en fonction de l'équipement du vélo électrique.

1. Chargeur
2. Prise électrique
3. Câble électrique
4. Connecteur électrique
5. Connecteur de charge
6. Indicateur LED du chargeur
7. Pack batterie
8. Indicateur de contrôle de charge
9. Prise femelle pour connecteur de charge
10. Bouton marche/arrêt
11. Pack moteur

Spécifications

Pack batterie au lithium 7000		
Référence article		01-2018-005
Tension nominale d'entrée	V CA	100 à 240
Fréquence	Hz	50 à 60
Tension de sortie	V CC	42
Courant de charge	A	2
Durée de charge (environ)	h	3,5
Température de service	°C	-20 à +60
Température de stockage	°C	-20 à +60
Degré de protection		IP 54
Poids, approximatif	kg	0,6

Fonctionnement

⚠ Avertissement ! Contrôler la tension du secteur. La tension fournie au **chargeur (1)** doit se situer dans la plage définie dans les spécifications.

⚠ Avertissement ! Lire attentivement et respecter les instructions de la batterie. **Avertissement !** Faire attention à la batterie avant chaque utilisation et avant de la mettre en charge. S'assurer que les terminaux et les surfaces sont propres.

⚠ Avertissement ! Avant d'utiliser ou de charger le pack batterie, toujours vérifier l'absence de dommages, tels que fissures ou brûlures. Ne jamais utiliser ou charger une batterie endommagée. Veuillez contacter votre partenaire de service FAZUA ou visiter la plateforme officielle de service FAZUA (www.fazua.com/service).

Branchement du chargeur sur le secteur

Brancher le **connecteur électrique (4)** du **câble électrique (3)** sur la **prise électrique (2)** du **chargeur (1)**. Ensuite, brancher le câble secteur (spécifique au pays) sur l'alimentation secteur.

📄 Remarque ! Ne charger le **pack batterie (7)** que si toutes les instructions de sécurité sont respectées. Dans le cas contraire, arrêter et s'assurer que toutes les instructions de sécurité sont respectées avant de démarrer la charge.

Branchement du chargeur sur un pack batterie autonome

Brancher le **connecteur de charge (5)** du **chargeur (1)** sur la **prise de charge (9)** du **pack batterie (7)** (Action A).

Branchement du chargeur sur un pack batterie inséré dans un pack moteur

Le **pack batterie (7)** peut être chargé soit en autonome, soit lorsqu'il est inséré dans le **pack moteur (11)** (voir **instructions du pack moteur**).

Brancher le **connecteur de charge (5)** du **chargeur (1)** sur la **prise de charge (9)** du **pack batterie (7)** inséré dans le **pack moteur (11)** (**Action B**).

Branchement du chargeur sur un pack batterie sur le vélo électrique

Le **pack batterie (7)** peut être chargé lorsqu'il est monté sur le vélo électrique.

D'abord, mettre le **pack moteur (11)** en position de charge sur le vélo électrique (voir **instructions d'assemblage du pack moteur**)

Ensuite, brancher le **connecteur de charge (5)** du **chargeur (1)** sur la **prise de charge (9)** du **pack batterie (7)** monté sur le vélo électrique (**Action C**).

Processus de charge

La charge début dès que le **connecteur de charge (5)** du **chargeur (1)** est branché sur la **prise de charge (9)** du **pack batterie (7)**.

L'état de charge est indiqué à l'aide de l'**indicateur de contrôle de charge (8)** du **pack batterie (7)**. Les LED de l'**indicateur de contrôle de charge (8)** s'allument en fonction de l'état de charge réel. Chaque LED indique 20 % de la capacité ; la batterie est totalement chargée lorsque les 5 LED s'allument.

Dès que le **pack batterie (7)** est totalement chargé, les LED de l'**indicateur de contrôle de charge (8)** s'éteignent. L'état de charge peut alors être vérifié en appuyant brièvement sur le **bouton marche/arrêt (10)** du **pack batterie (7)**.

Lorsque le processus de charge est terminé, débrancher le **chargeur (1)** du secteur, puis le **pack batterie (7)** du **chargeur (1)**.

evATION 1.0

Garantie du fabricant



Garantie du fabricant

FAZUA GmbH, Hofmannstr. 61, D-81379 Munich (ci-après le « fabricant ») garantit au client final (ci-après le « client »), conformément aux dispositions ci-dessous, que le système d'entraînement et ses composants (ci-après le « produit ») montés dans le vélo acheté au sein de l'Union Européenne (mise à jour du 01/01/2017) et de la Suisse (ci-après le « champ d'application géographique ») est exempt de vices de construction, de matière ou de défauts de transformation et opérationnel sans restriction pendant une durée de deux ans à partir de la livraison (délai de garantie).

Si néanmoins un défaut devait apparaître ou le système d'entraînement ne pas être opérationnel sans restriction, le fabricant éliminera librement le défaut à ses frais par réparation ou livraison de pièces neuves ou remises à neuf.

Les droits légaux du client au regard de défauts selon § 437 du Code Civil allemand n'en sont pas affectés ; ils ne sont pas non plus limités par cette garantie.

Toutefois, il ne pourra prétendre à cette garantie que si

- le produit ne présente pas de dommages ou de traces d'usure provoqués par un usage différent de l'usage normal et des prescriptions du fabricant selon le manuel utilisateur,
- le produit ne présente pas de caractéristiques laissant conclure à des réparations ou d'autres interventions effectuées par des ateliers professionnels non autorisés par le fabricant, et que
- le numéro de fabrication n'a pas été enlevé ou rendu illisible.

Toute prétention issue de cette garantie suppose que le client a contacté soit le vendeur auprès duquel il a acheté le vélo, soit le fabricant avant de retourner le produit, et qu'il lui a donné la possibilité d'effectuer une analyse téléphonique des défauts dans un laps de temps de huit jours.

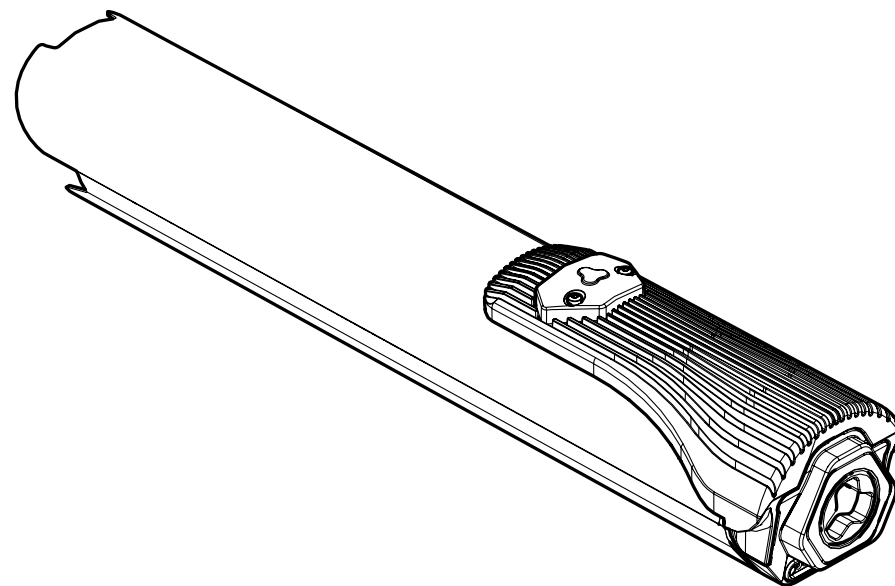
Ensuite, une prétention à garantie peut être formulée uniquement par remise ou envoi du produit au fabricant. Une autre condition pour le droit à garantie est la présentation de la facture originale avec la date d'achat. Les frais d'envoi et de retour du produit sont pris en charge par le fabricant. Si le fabricant ou le vendeur a nommé un transporteur précis au client pour l'envoi et que le client utilise néanmoins un autre transporteur, les éventuels frais supplémentaires sont à la charge du client.

La garantie s'applique selon l'étendue ci-dessus et dans les conditions ci-dessus, y compris la présentation du justificatif d'achat même en cas de revente pour tout futur propriétaire du produit sis dans le champ d'application géographique de cette garantie.


La garantie est soumise au droit de la République Fédérale Allemande, sous réserve de dispositions de protection des consommateurs obligatoires dans le pays du client respectif.

evATION 1.0

Bloque de accionamiento 25 km/h











Instrucciones de seguridad

¡Importante! Lea detenidamente las advertencias de seguridad  y las instrucciones de todos los componentes del sistema de accionamiento así como de su bicicleta eléctrica.

¡Importante! Lea detenidamente las instrucciones de seguridad. El incumplimiento de las presentes instrucciones de seguridad puede provocar descargas eléctricas, incendios o lesiones de gravedad.

Conserve todas las instrucciones y advertencias de seguridad para futuras consultas.

-  **No abra el bloque de accionamiento usted mismo.** El bloque de accionamiento no precisa de mantenimiento. Debe ser abierto solo por expertos cualificados y debe repararse utilizando exclusivamente piezas de repuesto originales. La apertura no autorizada de un sistema puede suponer la anulación de su garantía.
-  **Todos los componentes que forman el bloque de accionamiento y la bicicleta eléctrica deben sustituirse exclusivamente por componentes idénticos o por componentes explícitamente autorizados por el fabricante de su bicicleta eléctrica.** De este modo protegerá su bloque de accionamiento contra daños.
-  **No modifique el bloque de accionamiento ni añada otros productos no aprobados para mejorar su rendimiento.**
-  **Desmunte siempre el bloque de accionamiento antes de trabajar en su bicicleta eléctrica, de transportarla o de almacenarla.** Existe riesgo de accidente en caso de activación involuntaria.
-  **Extreme la precaución al tocar el radiador del bloque de accionamiento.** El radiador puede calentarse considerablemente y provocar quemaduras en la piel.
-  **La función de asistencia al caminar solo puede utilizarse al empujar la bicicleta eléctrica.** Existe el riesgo de sufrir lesiones si las ruedas no están en contacto con el suelo al utilizar esta función.
-  **Utilice exclusivamente baterías originales evation aprobadas por el fabricante de la bicicleta eléctrica.** El uso de baterías no autorizadas puede provocar lesiones o incendios. FAZUA no asumirá responsabilidad alguna en caso de utilizar baterías no autorizadas.
-  **Cumpla todas las normativas nacionales relativas al uso de bicicletas eléctricas y pedelecs.**

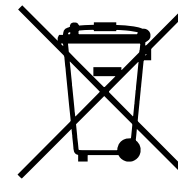
Limpieza, mantenimiento y servicio

Mantenga limpios todos los componentes de su bicicleta eléctrica y de su sistema de accionamiento. Preste especial atención a los contactos y a las interfaces entre la batería y el bloque de accionamiento, así como entre el bloque de accionamiento y el pedalier. Asegúrese de que estén completamente secos antes de cada uso.

Mantener limpio el radiador del bloque de accionamiento mejorará su rendimiento de refrigeración. Engrase el bloqueo cada pocos meses o si percibe que el funcionamiento comienza a ser irregular. No sumerja ni limpie ninguno de los componentes del sistema de accionamiento con equipos de limpieza a alta presión. Límpielos con cuidado utilizando un paño o un cepillo suave.

Para recibir información sobre el servicio de su sistema de accionamiento, póngase en contacto con un taller de servicio asociado FAZUA o visite la plataforma de servicio de FAZUA (www.fazua.com/service).

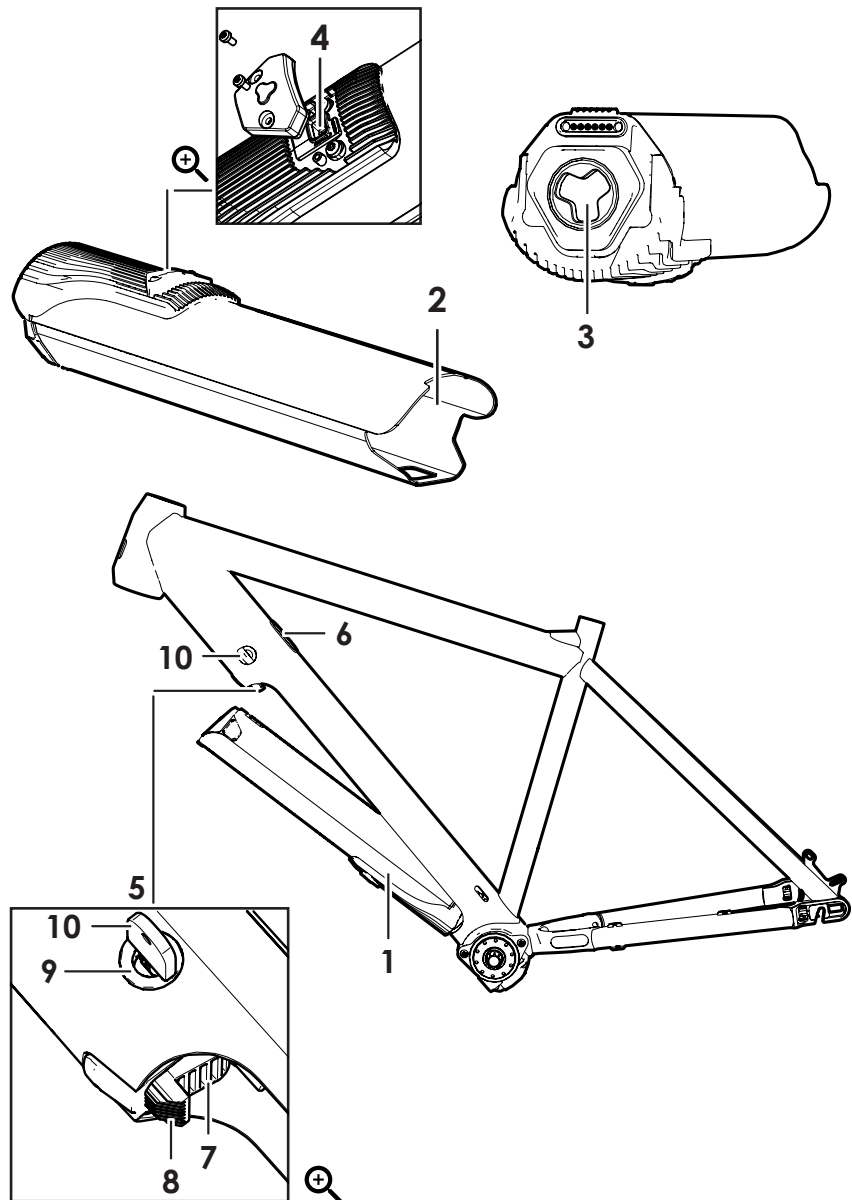
Eliminación



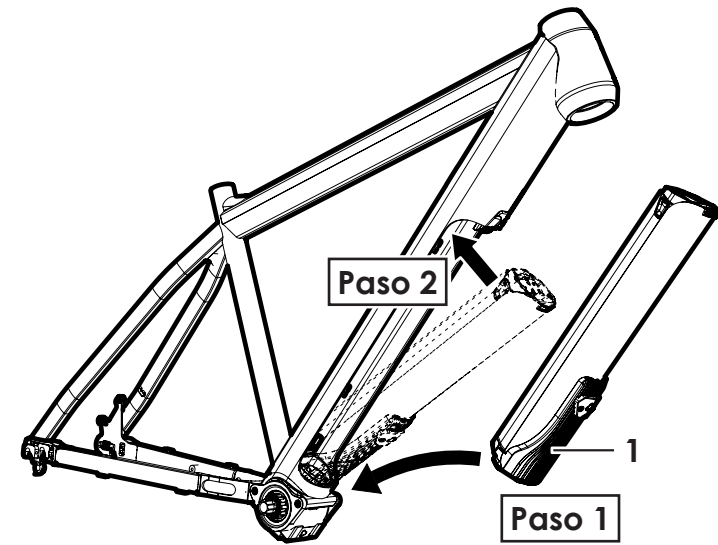
El pedalier, el bloque de accionamiento, el mando, la batería, el cargador, los accesorios y el embalaje deben eliminarse de forma respetuosa con el medio ambiente. No elimine la bicicleta eléctrica ni sus componentes con la basura doméstica.

Solo en países de la UE: Conforme a las directivas comunitarias 2012/19/UE y 2006/66/CE respectivamente, los dispositivos eléctricos rotos y las baterías usadas deben almacenarse por separado y eliminarse de forma respetuosa con el medio ambiente.

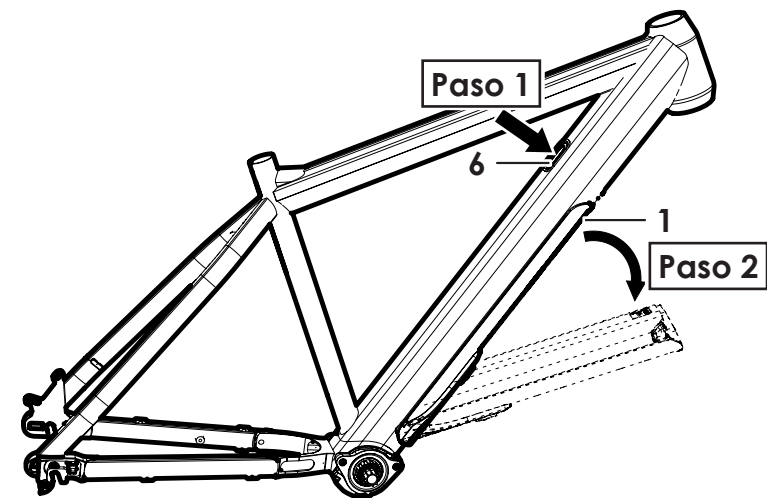
Bloque de accionamiento 1

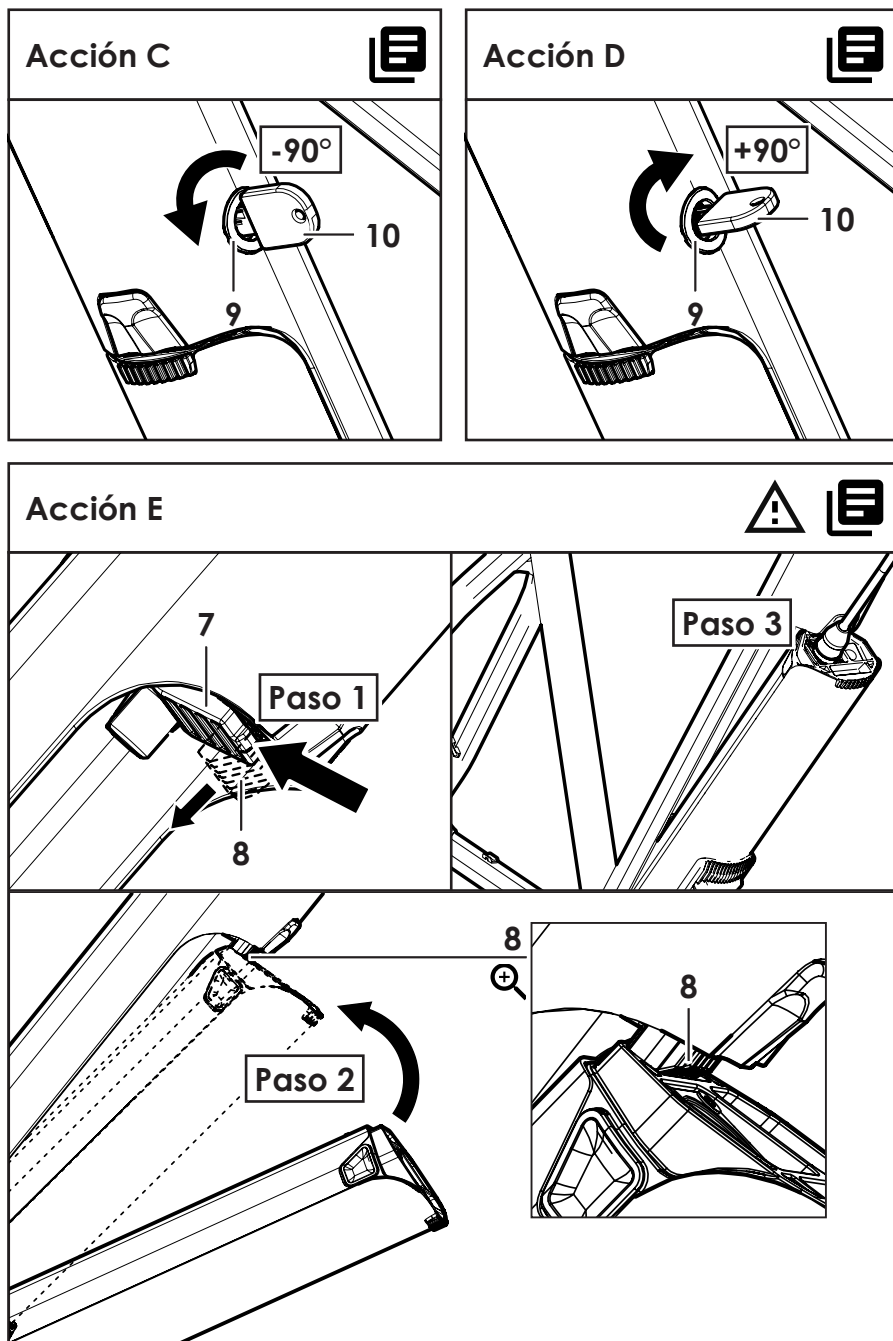


Acción A



Acción B





Descripción y especificaciones

Objetivo

El bloque de accionamiento está concebido únicamente para el uso de la bicicleta eléctrica y no debe utilizarse con otras finalidades.

Características

La numeración se refiere a las ilustraciones que aparecen en la parte inicial del manual. Las ilustraciones muestran los distintos componentes del bloque de accionamiento y otras unidades FAZUA. Las ilustraciones del manual podrían diferir ligeramente de las piezas reales, según el equipamiento específico de cada bicicleta eléctrica.

1. Bloque de accionamiento
2. Hueco para la batería
3. Interfaz al pedalier
4. Conexión USB
5. Bloqueo del bloque de accionamiento
6. Botón de desbloqueo
7. Cuña de presión
8. Gancho de fijación
9. Cilindro de cierre
10. Llave de cierre

Especificaciones

Bloque de accionamiento		
Número de artículo		01-2018-001
Potencia nominal continua	W	250
Potencia máx.	W	400
Par máx. en la cadena	Nm	60
Tensión nominal	V	36
Temperatura de trabajo	°C	-20 ... +60
Temperatura de almacenamiento	°C	-20 ... +60
Grado de protección		IP 54
Peso , aprox.	kg	2

Ensamble

Inserción/retiro de la batería

Para insertar/retirar la batería de la bicicleta eléctrica, siga las **Instrucciones de la batería**.

Montaje del bloque de accionamiento en la bicicleta eléctrica

Tras introducir la batería en el **bloque de accionamiento (1)** (consulte las **Instrucciones de la batería**), sitúe la **interfaz al pedalier (3)** sobre la interfaz abierta en el pedalier (**acción A, paso 1**), directamente debajo del tubo diagonal de la bicicleta eléctrica.

Coloque ahora la parte superior del **bloque de accionamiento (1)** dentro del tubo diagonal hasta que el **gancho de fijación (8)** quede enganchado (**acción A, paso 2**). Asegúrese de que el **bloque de accionamiento (1)** esté anclado firmemente dentro del tubo diagonal y de que no pueda salirse.

Desmontaje del bloque de accionamiento de la bicicleta eléctrica

¡Importante! Cerciórese de sujetar el **bloque de accionamiento (1)** al desmontarlo, para evitar que caiga del cuadro.

Sujete con una mano el **bloque de accionamiento (1)** montado y pulse con la otra el **botón de desbloqueo (6)** (**acción B, paso 1**). Ahora podrá retirar fácilmente el **bloque de accionamiento (1)** (**acción B, paso 2**).

¡Nota! En ocasiones, empujar hacia arriba el **bloque de accionamiento (1)** contra el cuadro antes de pulsar el **botón de desbloqueo (6)** puede ayudar a desmontarlo con mayor suavidad.

Bloqueo/desbloqueo del bloque de accionamiento en la bicicleta eléctrica

Una vez que el **bloque de accionamiento (1)** ha quedado montado en la bicicleta eléctrica, este podrá bloquearse de manera tal que no pueda desmontarse. Para bloquear un **bloque de accionamiento (1)** montado, inserte la **llave (10)** en el **cilindro de cierre (9)** y gírela **en sentido contrario a las agujas del reloj (acción C)**.

Para desbloquear el **bloque de accionamiento (1)** de la bicicleta eléctrica, inserte la **llave (10)** en el **cilindro (9)** y gírela **en el sentido de las agujas del reloj (acción D)**.

Carga de la batería en la bicicleta

⚠ ¡Advertencia! Lea detenidamente y respete las instrucciones de la batería. ¡Advertencia! Revise la batería antes de cada uso y antes de cargarlo. Asegúrese de que los bornes y las superficies estén limpios.

⚠ ¡Advertencia! Antes de utilizar o de cargar la batería, compruebe siempre si presenta signos de daños como, p. ej., fisuras o quemaduras. No utilice ni cargue nunca un batería dañado. Póngase en contacto con un taller de servicio asociado FAZUA o visite la plataforma de servicio de FAZUA (www.fazua.com/service).

El **bloque de accionamiento (1)** puede montarse en la bicicleta eléctrica dejando la toma de carga de la batería accesible para la conexión del cargador. Para ello, desmonte el **bloque de accionamiento (1)** de la bicicleta eléctrica (**acción B**). Empuje hacia arriba la **cuña de presión (7)** en el **bloqueo (5)**, y el **gancho de fijación (8)** se saldrá (**acción E, paso 1**). Vuelva a montar entonces el **bloque de accionamiento (1)** en la bicicleta sin empujar la parte superior hasta el fondo (**acción E, paso 2**). De esta forma, el **gancho de fijación (8)** asegura el **bloque de accionamiento (1)** sin estar completamente insertado.

Operación

Requisitos

El funcionamiento del sistema de accionamiento de la bicicleta eléctrica requiere que se cumplan las siguientes condiciones:

- La batería debe estar suficientemente cargada, insertado y encendido (consulte las **Instrucciones de la batería**).
- El **bloque de accionamiento (1)** debe estar montado en la bicicleta eléctrica.
- El sensor de velocidad sensor debe estar correctamente conectado al pedalier, y el imán de radio, bien puesto (consulte las **Instrucciones del pedalier**).

Encendido/apagado de la bicicleta eléctrica

El sistema puede manejarse a través de un mando homologado por FAZUA. Una vez haya montado el **bloque de accionamiento (1)** en la bicicleta eléctrica, el sistema puede **encenderse** pulsando sencillamente cualquiera de los botones del mando (consulte las **Instrucciones del mando**).

La potencia de salida del sistema depende del nivel de soporte configurado en el mando.

Al dejar de pedalear, o al alcanzar una velocidad de 25 km/h, el soporte del sistema de accionamiento se apaga de manera gradual, y vuelve a encenderse al reanudar el pedaleo y cuando la velocidad está por debajo de 25 km/h.

El sistema puede **apagarse** de dos maneras distintas:

- Pulse y mantenga pulsado el botón central del mando durante 2 s (consulte las **Instrucciones del mando**).
- Desmonte el **bloque de accionamiento (1)** de la bicicleta.
- Apague la batería (consulte las **Instrucciones de la batería**).
- Deje que la bicicleta eléctrica se active.

Ajuste del nivel de soporte

En el mando podrá ajustar en qué medida desea que el sistema de la bicicleta eléctrica le asista al pedalear. El nivel de soporte puede ajustarse en cualquier momento, incluso durante el uso. Para cambiar el nivel de soporte, pulse los botones arriba/abajo en el mando (consulte las **Instrucciones del mando**).

Están disponibles los siguientes niveles de soporte:

- **Sin soporte (blanco)**: El soporte del motor está apagado. La bicicleta eléctrica puede usarse como una bicicleta normal.
- **Suave (verde)**: Soporte suave pero eficiente para optimizar la autonomía de la bicicleta eléctrica.
- **Medio (azul)**: Soporte estable para la mayoría de las situaciones.
- **Intenso (rosa)**: Máximo soporte para los recorridos más desafiantes.

Nivel de soporte	Color	Factor de soporte máx.	Potencia máx.
Sin soporte	Blanco	0 %	0 W
Suave	Verde	75 %	125 W
Medio	Azul	150 %	250 W
Intenso	Rosa	240 %	400 W

Activación/desactivación del modo de asistencia al caminar

La función de asistencia al caminar ayuda a empujar la bicicleta eléctrica. La velocidad de la bicicleta en el modo de asistencia al caminar es de máximo 6 km/h pero puede variar según la marcha que se tenga. El usuario puede adaptar la velocidad de la bicicleta a la suya sujetándola firmemente al caminar.



¡Advertencia! El modo de asistencia al caminar puede utilizarse únicamente al empujar la bicicleta eléctrica. Un uso incorrecto de esta función puede ocasionar lesiones.

Para **activar** el modo de asistencia al caminar, ajuste el sistema al modo "Sin soporte" en el mando (consulte las **Instrucciones del mando**). A continuación, pulse y mantenga pulsado el botón "abajo" del mando. El sistema de asistencia al caminar se activa después de 2 s.

 **¡Advertencia! Asegúrese de sujetar firmemente el manillar al usar esta función; de lo contrario, podría perderse momentáneamente el control de la bicicleta eléctrica.**

El sistema de asistencia al caminar se apaga:

- al soltar el botón "abajo";
- cuando las ruedas de la bicicleta eléctrica están bloqueadas;
- cuando la velocidad supera los 6 km/h.

Inactividad

Si la bicicleta eléctrica está inactiva, el sistema se encargará de apagar automáticamente la batería. Para reactivar el sistema, hay que encender la batería (consulte las **Instrucciones de la batería**). La inactividad de la bicicleta eléctrica está dada por las siguientes condiciones:

- La bicicleta permanece inmóvil y no se pulsa ningún botón en el mando durante 10 h.
- Con un nivel de carga de la batería por debajo del 30 %, la bicicleta permanece inmóvil y no se pulsa ningún botón en el mando durante 3 h.

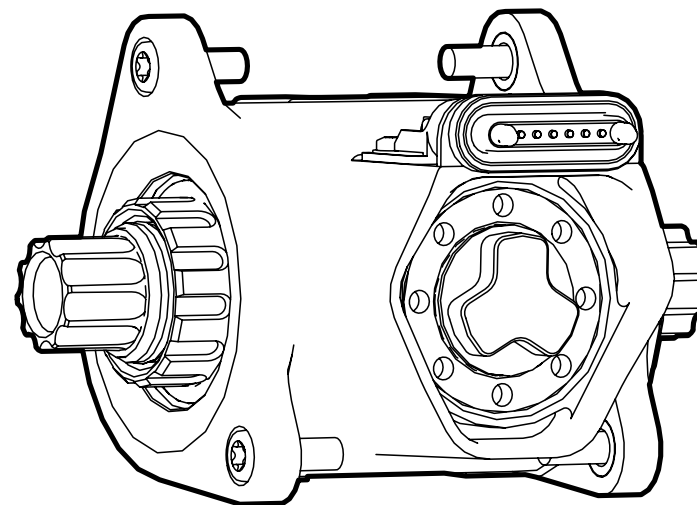
Notas sobre el uso de la bicicleta eléctrica

- Las marchas de la bicicleta funcionan como las de una bicicleta estándar. Independientemente del tipo de marcha, se recomienda dejar de pedalear por un instante al cambiar de marcha. De esta forma se reduce la tensión en la razón de cambio y en el sistema de transmisión.
- El uso de la marcha correcta aumenta la velocidad, la potencia y la autonomía de la bicicleta eléctrica a igualdad de esfuerzo de pedaleo.
- Se recomienda familiarizarse con el uso de la bicicleta eléctrica lejos de carreteras y del tráfico. Pruebe la autonomía de la bicicleta eléctrica en distintas condiciones antes de afrontar recorridos largos.


- No es posible predecir la autonomía del sistema con precisión antes o durante un recorrido. La autonomía de la bicicleta eléctrica dependerá de varios factores:
 - Nivel de soporte
 - Velocidad
 - Uso de las marchas
 - Tipo y presión de los neumáticos
 - Condiciones atmosféricas y de la carretera
 - Peso de la bicicleta y el usuario
 - Edad de la batería
- Preste atención a las temperaturas de trabajo y almacenamiento de los componentes de la bicicleta eléctrica, y sobre todo de la batería, ya que puede sufrir daños si se expone a temperaturas excesivas.

evATION 1.0

Pedalier






Instrucciones de seguridad

¡Importante! Lea detenidamente las advertencias de seguridad  y las instrucciones de todos los componentes del sistema de accionamiento así como de su bicicleta eléctrica.

¡Importante! Lea detenidamente las instrucciones de seguridad. El incumplimiento de las presentes instrucciones de seguridad puede provocar descargas eléctricas, incendios o lesiones de gravedad.

Conserve todas las instrucciones y advertencias de seguridad para futuras consultas.

-  **No abra el pedalier usted mismo.** El pedalier no precisa de mantenimiento. Debe ser abierto solo por expertos cualificados y debe repararse utilizando exclusivamente piezas de repuesto originales. La apertura no autorizada de un sistema puede suponer la anulación de su garantía.
-  **Todos los componentes que forman el pedalier y la bicicleta eléctrica deben sustituirse exclusivamente por componentes idénticos o por componentes explícitamente autorizados por el fabricante de su bicicleta eléctrica.** De este modo protegerá su bloque de accionamiento contra daños.
-  **No modifique el pedalier ni añada otros productos no aprobados para mejorar su rendimiento.**

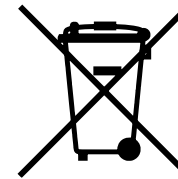
Limpieza, mantenimiento y servicio

Mantenga limpios todos los componentes de su bicicleta eléctrica y de su sistema de accionamiento. Preste especial atención a los contactos y a las interfaces entre la batería y el bloque de accionamiento, así como entre el bloque de accionamiento y el pedalier. Asegúrese de que estén completamente secos antes de cada uso.

Mantener limpio el radiador del bloque de accionamiento mejorará su rendimiento de refrigeración. Engrase el bloqueo cada pocos meses o cuando el funcionamiento comience a ser irregular. No sumerja ni limpie ninguno de los componentes del sistema de accionamiento con equipos de limpieza a alta presión. Límpielos con cuidado utilizando un paño o un cepillo suave.

Para recibir información sobre el servicio de su sistema de accionamiento, póngase en contacto con un taller de servicio asociado FAZUA o visite la plataforma de servicio de FAZUA (www.fazua.com/service).

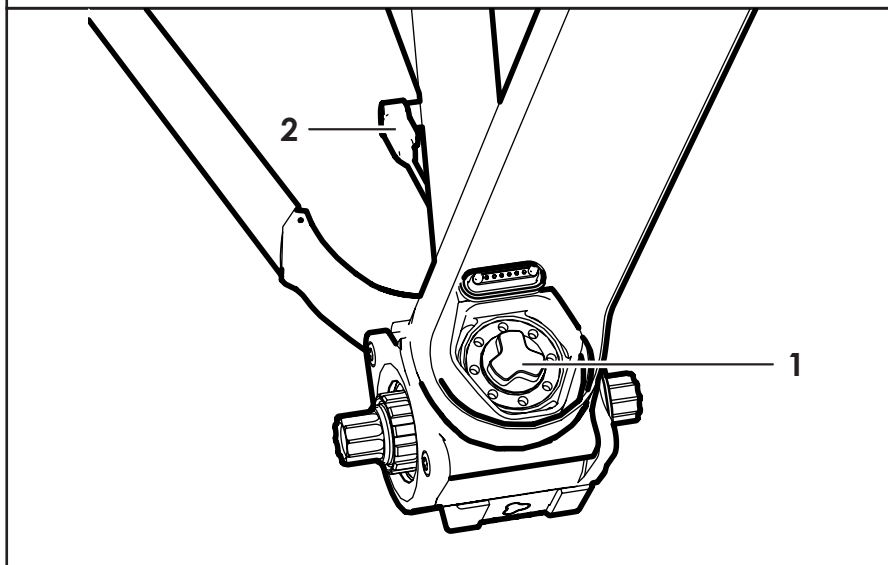
Eliminación



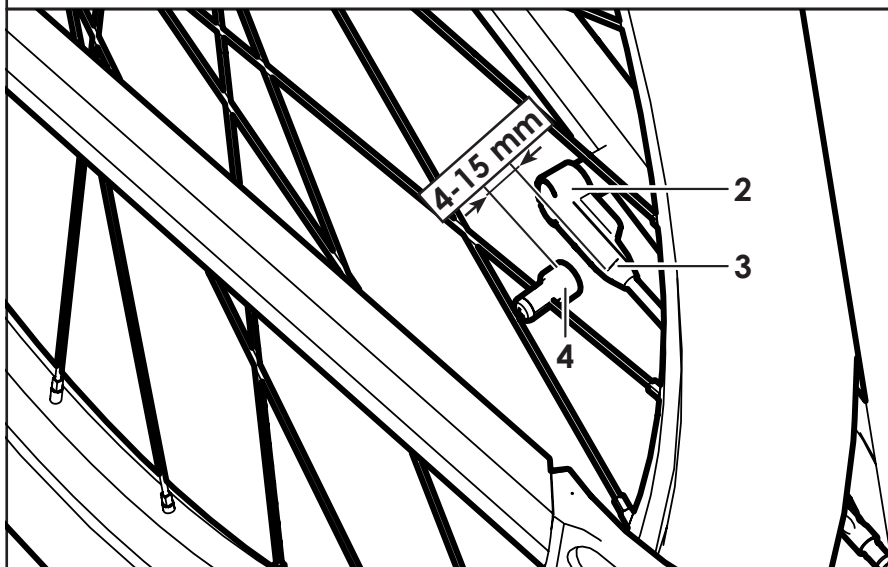
El pedalier, el bloque de accionamiento, el mando, la batería, el cargador, los accesorios y el embalaje deben eliminarse de forma respetuosa con el medio ambiente. No elimine la bicicleta eléctrica ni sus componentes con la basura doméstica.

Solo en países de la UE: Conforme a las directivas comunitarias 2012/19/UE y 2006/66/CE respectivamente, los dispositivos eléctricos rotos y las baterías usadas deben almacenarse por separado y eliminarse de forma respetuosa con el medio ambiente.

Pedalier 1



Sensor de velocidad 2



Descripción y especificaciones

Características

La numeración se refiere a las ilustraciones que aparecen en la parte inicial del manual. Las ilustraciones muestran los distintos componentes del pedalier. Las ilustraciones del manual podrían diferir ligeramente de las piezas reales, según el equipamiento específico de cada bicicleta eléctrica.

1. Pedalier
2. Sensor de velocidad
3. Marca de posición del imán
4. Imán de radio del sensor de velocidad

Especificaciones

Pedalier		
Número de artículo		01-2018-002-01
Par de asistencia, máx.	Nm	60
Factor Q, mín.	mm	135 (sin brazos de manivela)
Temperatura de trabajo	°C	-20 ... +60
Temperatura de almacenamiento	°C	-20 ... +60
Grado de protección		IP 54
Línea de cadena	mm	49, 52
Peso , aprox.	kg	1,3

Ensamble

Regulación del sensor de velocidad

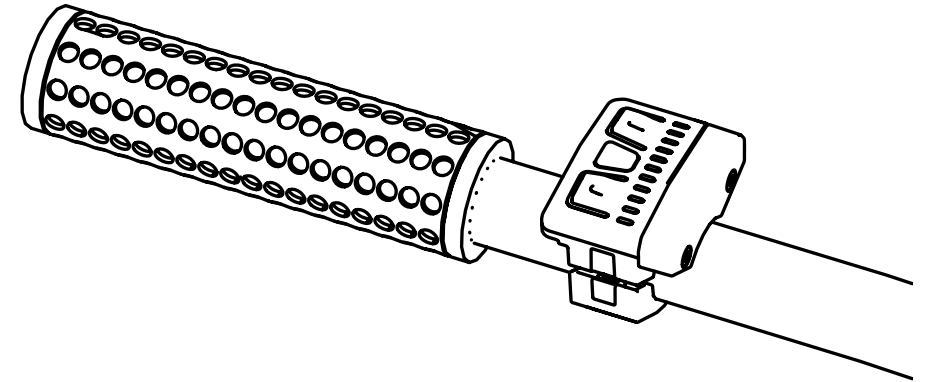
El **sensor de velocidad (2)** y el **imán de radio (4)** deben cumplir 2 requisitos:

- El **imán de radio (4)** debe ubicarse en el radio de manera tal que el **imán (4)** supere la **marca de posición del mismo (3)**.
- La distancia entre el **sensor de velocidad (2)** y el **imán de radio (4)** cuando se encuentran uno frente a otro debe ser de entre 4 y 15 mm.


▮ **¡Nota!** Si la distancia entre el **sensor de velocidad (2)** y el **imán de radio (4)** no es correcta, o si el **sensor de velocidad (2)** no está bien puesto, la bicicleta eléctrica funcionará en una condición de "fallo no crítico" que se indicará en el mando (consulte las **Instrucciones del mando**). Si esto ocurre, afloje el tornillo del **imán de radio (4)** y vuelva a apretarlo asegurándose de que este último supere la **marca del sensor de velocidad (3)** y quede a una distancia correcta. Si el problema persiste, póngase en contacto con un distribuidor autorizado o visite la plataforma de servicio de FAZUA (www.fazua.com/service).

evation I.0

Mando





Instrucciones de seguridad

¡Importante! Lea detenidamente las advertencias de seguridad  y las instrucciones de todos los componentes del sistema de accionamiento así como de su bicicleta eléctrica.

¡Importante! Lea detenidamente las instrucciones de seguridad. El incumplimiento de las presentes instrucciones de seguridad puede provocar descargas eléctricas, incendios o lesiones de gravedad.

Conserve todas las instrucciones y advertencias de seguridad para futuras consultas.

 **No abra por sí mismo los componentes del sistema de accionamiento.** Los componentes no precisan de mantenimiento. Deben ser abiertos solo por expertos cualificados y deben repararse utilizando exclusivamente piezas de repuesto originales. La apertura no autorizada de un sistema puede suponer la anulación de su garantía.

 **Preste atención al tráfico y al entorno al manipular el mando evation, para evitar posibles accidentes.**

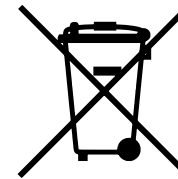
Limpieza, mantenimiento y servicio

Mantenga limpios todos los componentes de su bicicleta eléctrica y de su sistema de accionamiento. Preste especial atención a los contactos y a las interfaces entre la batería y el bloque de accionamiento, así como entre el bloque de accionamiento y el pedalier. Asegúrese de que estén completamente secos antes de cada uso.

Mantener limpio el radiador del bloque de accionamiento mejorará su rendimiento de refrigeración. Engrase el bloqueo cada pocos meses o cuando el funcionamiento comience a ser irregular. No sumerja ni limpie ninguno de los componentes del sistema de accionamiento con equipos de limpieza a alta presión. Límpielos con cuidado utilizando un paño o un cepillo suave.

Para recibir información sobre el servicio de su sistema de accionamiento, póngase en contacto con un taller de servicio asociado FAZUA o visite la plataforma de servicio de FAZUA (www.fazua.com/service).

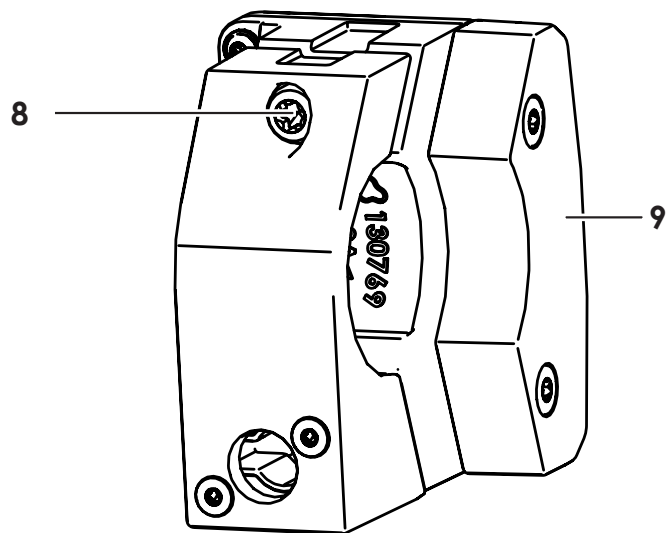
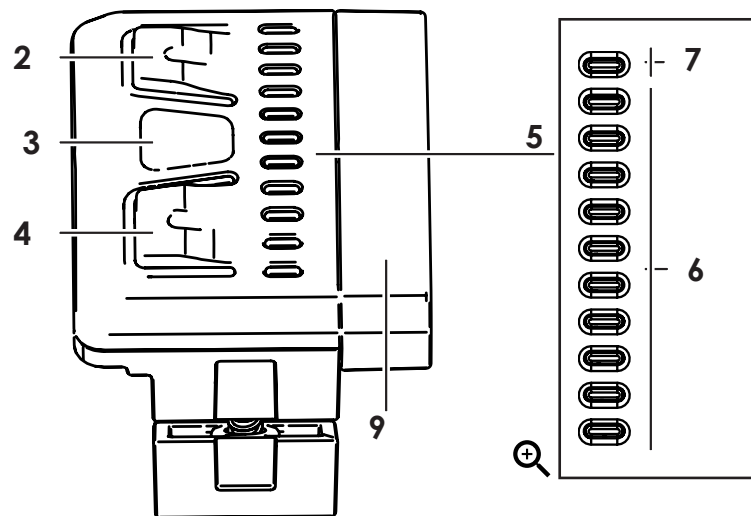
Eliminación



El pedalier, el bloque de accionamiento, el mando, la batería, el cargador, los accesorios y el embalaje deben eliminarse de forma respetuosa con el medio ambiente. No elimine la bicicleta eléctrica ni sus componentes con la basura doméstica.

Solo en países de la UE: Conforme a las directivas comunitarias 2012/19/UE y 2006/66/CE respectivamente, los dispositivos eléctricos rotos y las baterías usadas deben almacenarse por separado y eliminarse de forma respetuosa con el medio ambiente.

Mando 1



Descripción y especificaciones

Objetivo

El mando está concebido para el control del sistema de accionamiento evation FAZUA y la visualización de determinados datos de uso de la bicicleta, y no debe utilizarse con otras finalidades.

Características

La numeración se refiere a las ilustraciones que aparecen en la parte inicial del manual. Las ilustraciones muestran los distintos componentes del mando. Las ilustraciones del manual podrían diferir ligeramente de las piezas reales, según el equipamiento específico de cada bicicleta eléctrica.

1. Mando
2. Botón "arriba"
3. Botón central
4. Botón "abajo"
5. Barra de visualización
6. Barra de estado de carga/nivel de soporte
7. Indicador de notificaciones
8. Tornillo de fijación
9. Puerto para aplicaciones adicionales

Especificaciones

Mando		
Número de artículo		01-2018-003
Temperatura de trabajo	°C	-20 ... +60
Temperatura de almacenamiento	°C	-20 ... +60
Grado de protección		IP 54
Peso , aprox.	kg	0,075

Operación

Requisitos

El funcionamiento del sistema de accionamiento de la bicicleta eléctrica requiere que se cumplan las siguientes condiciones:

- La debe estar suficientemente cargado, insertado y encendido (consulte las **Instrucciones de la batería**).
- El bloque de accionamiento debe estar montado en la bicicleta eléctrica.
- El sensor de velocidad debe estar correctamente conectado al pedalier, y el imán de radio, bien puesto (consulte las **Instrucciones del pedalier**).

Encendido/apagado de la bicicleta eléctrica

Para **encender** la bicicleta eléctrica, pulse **cualquiera de los botones del mando (2,3,4)**. El **mando (1)** dará inicio en breve a la puesta en marcha y se pondrá en el modo de funcionamiento.

Para **apagar** la bicicleta eléctrica desde el **mando (1)**, pulse y mantenga pulsado el **botón central (3)** del **mando (1)** durante 2 s.

En alternativa, la bicicleta eléctrica también puede apagarse de las siguientes formas:

- Desmontando el bloque de accionamiento de la bicicleta (consulte las **Instrucciones del bloque de accionamiento**).
- Apagando la batería (consulte las **Instrucciones de la batería**).
- Dejando que la bicicleta eléctrica entre en estado de inactividad (consulte las **Instrucciones del bloque de accionamiento**).



¡Nota! Apague siempre el sistema de la bicicleta eléctrica al aparcarla.

Visualizador del mando

La **barra de visualización (5)** del **mando (1)** presenta 11 LED.

- El LED de arriba es el **indicador de notificaciones (7)**, que se encarga de señalar el estado de la bicicleta eléctrica.
- Los demás LED están pensados, en cambio, para la **barra de estado de carga y de nivel de soporte (6)**.

Barra de estado de carga y de nivel de soporte

La **barra de estado de carga y de nivel de soporte (6)** muestra 2 parámetros:

- el estado de carga de la batería
- el nivel de soporte seleccionado de la bicicleta eléctrica

El estado de carga de la batería se indica mediante el número de LED encendidos. Cada LED representa el 10 % de la capacidad total. Cuando la batería está completamente cargada, se encienden los 10 LED. Por el contrario, si la batería está descargada, no se enciende ninguno de los LED.

El nivel de soporte seleccionado se representa con el color de la **barra (6)**. La **barra (6)** puede mostrar 4 colores, que representan respectivamente los 4 niveles de soporte.

Indicador de notificaciones

El **indicador de notificaciones (7)** muestra las notificaciones de posibles errores o eventos en la bicicleta eléctrica. Si no se detecta ningún error, el indicador de notificaciones no se enciende.

Los distintos colores del **indicador de notificaciones (7)** tienen significados diferentes:

- **Verde:** El **indicador de notificaciones (7)** parpadea rápidamente con luz verde cuando el bloque de accionamiento está montado en la bicicleta eléctrica. De esta forma se puede saber si el sistema está listo para el encendido.
- **Amarillo:** El **indicador de notificaciones (7)** se enciende con luz amarilla si se detecta un **"fallo no crítico"**. Esto significa que hay algún defecto leve o pasajero y, probablemente, una limitación en el rendimiento. En condiciones de **"fallo no crítico"** el uso de la bicicleta es posible, aunque no recomendable.
- **Rojo:** El **indicador de notificaciones (7)** se enciende con luz roja si se detecta un **"fallo crítico"**. En condiciones de **"fallo crítico"** el sistema de la bicicleta eléctrica no funcionará, por lo que tendrá que realizarse el servicio.



¡Nota! La causa más común por la que puede manifestarse un **"fallo no crítico"** en la bicicleta eléctrica es la falta de información del sensor de velocidad (consulte las **Instrucciones de ensamblaje del pedalier**).

En caso de **"fallo no crítico"** permanente, intente reensamblar el imán del sensor de velocidad (consulte las **Instrucciones del pedalier**). Si este problema persiste, póngase en contacto con un taller de servicio asociado FAZUA o visite la plataforma de servicio de FAZUA (www.fazua.com/service).

En caso de **"fallo crítico"** permanente, póngase en contacto con un taller de servicio asociado FAZUA o visite la plataforma de servicio de FAZUA (www.fazua.com/service).

Ajuste del nivel de soporte

En el **mando (1)** podrá ajustar en qué medida desea que el sistema de la bicicleta eléctrica le asista al pedalear. El nivel de soporte puede ajustarse en cualquier momento, incluso durante el uso. Para cambiar el nivel de soporte, pulse los **botones arriba/abajo (2,4)** del **mando (1)**.

Están disponibles los siguientes niveles de soporte:

- **Sin soporte (blanco):** El soporte del motor está apagado. La bicicleta eléctrica puede usarse como una bicicleta normal.
- **Suave (verde):** Soporte eficiente para optimizar la autonomía de la bicicleta eléctrica.
- **Medio (azul):** Soporte estable para la mayoría de las situaciones.
- **Intenso (rosa):** Máximo soporte para los recorridos más desafiantes.

Nivel de soporte	Color	Factor de soporte máx.	Potencia máx.
Sin soporte	Blanco	0 %	0 W
Suave	Verde	75 %	125 W
Medio	Azul	150 %	250 W
Intenso	Rosa	240 %	400 W

Activación/desactivación del modo de asistencia al caminar

La función de asistencia al caminar ayuda a empujar la bicicleta eléctrica. La velocidad de la bicicleta en el modo de asistencia al caminar es de máximo 6 km/h pero puede variar según la marcha que se tenga. El usuario puede adaptar la velocidad de la bicicleta a la suya sujetándola firmemente al caminar.



¡Advertencia! El modo de asistencia al caminar puede utilizarse únicamente al empujar la bicicleta eléctrica. Un uso incorrecto de esta función puede ocasionar lesiones.

Para **activar** el modo de asistencia al caminar, ajuste el sistema al modo "Sin soporte" en el mando (consulte las **Instrucciones del mando**). A continuación, pulse y mantenga pulsado el botón "abajo" del mando. El sistema de asistencia al caminar se activa después de 2 s.

⚠ ¡Advertencia! Asegúrese de sujetar firmemente el manillar al usar esta función; de lo contrario, podría perderse momentáneamente el control de la bicicleta eléctrica.

El sistema de asistencia al caminar se apaga:

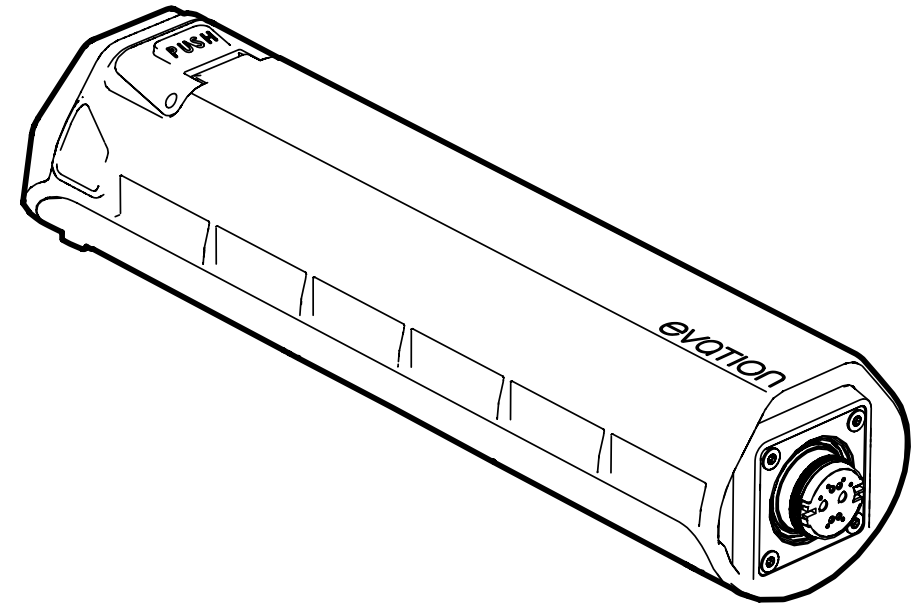
- al soltar el **botón "abajo" (4)**.
- cuando las ruedas de la bicicleta eléctrica están bloqueadas;
- cuando la velocidad supera los 6 km/h.

Guía rápida de uso del mando


Acción	Botón	Duración
Encendido	Cualquiera	Cualquiera
Apagado	Central	2 s
Aumento del nivel de soporte	Arriba	Cualquiera
Reducción del nivel de soporte	Abajo	Cualquiera
Activación del modo de asistencia al caminar	1. (En el modo "Sin soporte") 2. Abajo	> 2 s

evation 1.0

Batería 7000

















Instrucciones de seguridad

¡Importante! Lea detenidamente las advertencias de seguridad  y las instrucciones de todos los componentes del sistema de accionamiento así como de su bicicleta eléctrica.

¡Importante! Lea detenidamente las instrucciones de seguridad. El incumplimiento de las presentes instrucciones de seguridad puede provocar descargas eléctricas, incendios o lesiones de gravedad.

Conserve todas las instrucciones y advertencias de seguridad para futuras consultas.

-  **Retire la batería del bloque de accionamiento antes de llevar a cabo operaciones de limpieza.** La humedad en los contactos del bloque de accionamiento al insertar nuevamente la batería puede provocar daños en este último.
-  **No abra la batería.** Peligro de explosión. La apertura de la batería supone la anulación automática de su garantía.
-  **Use la batería exclusivamente con bicicletas eléctricas que cuenten con un sistema de accionamiento original evation FAZUA.**
-  **Utilice exclusivamente baterías originales evation aprobados por el fabricante de la bicicleta eléctrica.** El uso de baterías no aprobadas puede provocar lesiones o incendios. FAZUA declina toda responsabilidad en caso de utilizar baterías no aprobadas.
-  **Use únicamente los cargadores originales de FAZUA para cargar la batería.** FAZUA declina toda responsabilidad en caso de utilizar cargadores no aprobados.
-  **Mantenga la batería alejado de fuentes de calor, llamas y agua.** Riesgo de explosión.
-  **Proteja la batería contra golpes o tensiones mecánicas.** Riesgo de daños y emisión de humos irritantes para el aparato respiratorio. En caso de malestar, asegúrese de que se respire aire puro y busque atención médica.
-  **Evite acercarse a la batería objetos como monedas, clips, tornillos, etc.** Estos pueden hacer que se produzca una conexión entre los bornes de la batería. Peligro de incendio. La garantía no cubre los daños que puedan producirse de esta manera.
-  **Mantenga la batería alejada de materiales inflamables. Asegúrese de que la batería esté seca y se encuentre en un área protegida contra posibles riesgos de incendio al cargarlo.** El calor producido durante la carga puede dar lugar a incendios.
-  **Supervise constantemente la batería durante la carga.**

-  **No utilice ni cargue nunca una batería dañada.**
-  **Evite el contacto con líquidos que puedan salir de la batería.** En caso de contacto con dichos líquidos, aclare con abundante agua. El contacto con estos líquidos puede provocar irritaciones y quemaduras. En caso de contacto del líquido con los ojos, busque atención médica.
-  **Los conectores magnéticos de la batería y del cargador pueden dar lugar a problemas de funcionamiento en marcapasos, por lo que deben mantenerse alejados de dichos aparatos.**
-  **Mantenga la batería fuera del alcance de los niños.**

Limpieza, mantenimiento y servicio

Mantenga limpios todos los componentes de su bicicleta eléctrica y de su sistema de accionamiento. Preste especial atención a los contactos y a las interfaces entre la batería y el bloque de accionamiento, así como entre el bloque de accionamiento y el pedalier. Asegúrese de que estén completamente secos antes de cada uso.

Mantener limpio el radiador del bloque de accionamiento mejorará su rendimiento de refrigeración. Engrase el bloqueo cada pocos meses o cuando el funcionamiento comience a ser irregular. No sumerja ni limpie ninguno de los componentes del sistema de accionamiento con equipos de limpieza a alta presión. Límpielos con cuidado utilizando un paño o un cepillo suave.

Para recibir información sobre el servicio de su sistema de accionamiento, póngase en contacto con un taller de servicio asociado FAZUA o visite la plataforma de servicio de FAZUA (www.fazua.com/service).

Transporte

Las baterías están sujetas a las leyes sobre materiales peligrosos. Las baterías que no presenten daños pueden transportarse por carretera por particulares. Para el transporte comercial, observe las leyes relativas al embalaje, la identificación y el transporte de materiales peligrosos. Cubra los contactos abiertos y embale la batería ceñida. Avise al servicio de paquetería del transporte de productos peligrosos. Si tuviera cualquier duda, póngase en contacto con un taller de servicio asociado FAZUA o visite la plataforma de servicio oficial de FAZUA (www.fazua.com/service).

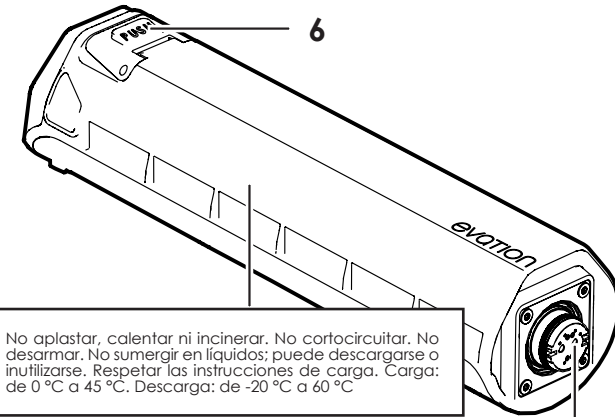
Eliminación




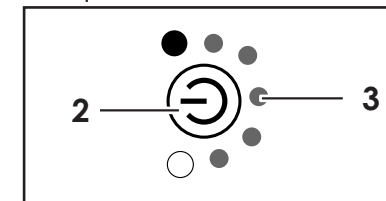
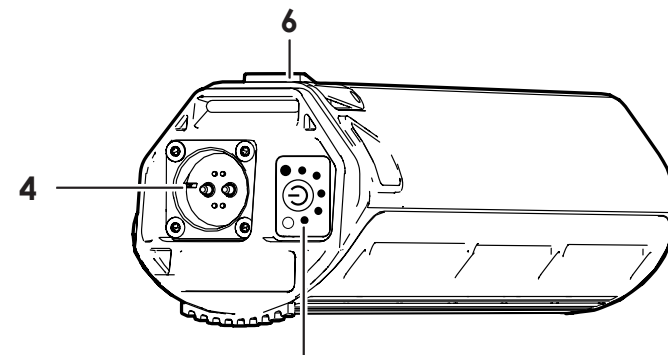
El pedalier, el bloque de accionamiento, el mando, la batería, el cargador, los accesorios y el embalaje deben eliminarse de forma respetuosa con el medio ambiente. No elimine la bicicleta eléctrica ni sus componentes con la basura doméstica.

Solo en países de la UE: Conforme a las directivas comunitarias 2012/19/UE y 2006/66/CE respectivamente, los dispositivos eléctricos rotos y las baterías usadas deben almacenarse por separado y eliminarse de forma respetuosa con el medio ambiente.

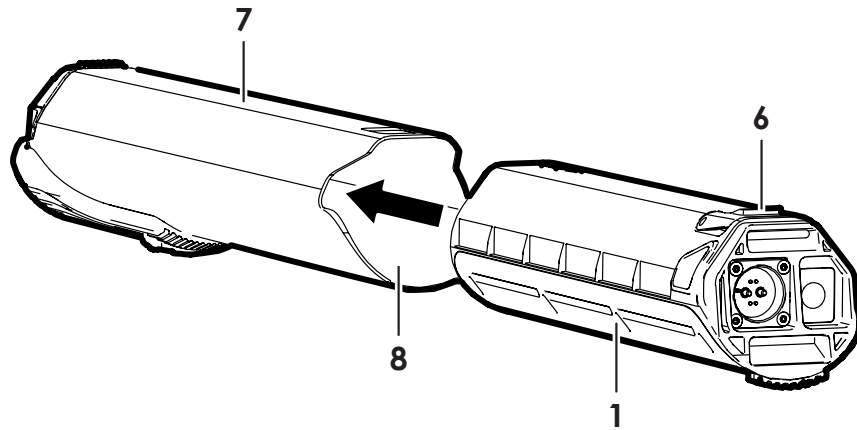
Batería 1



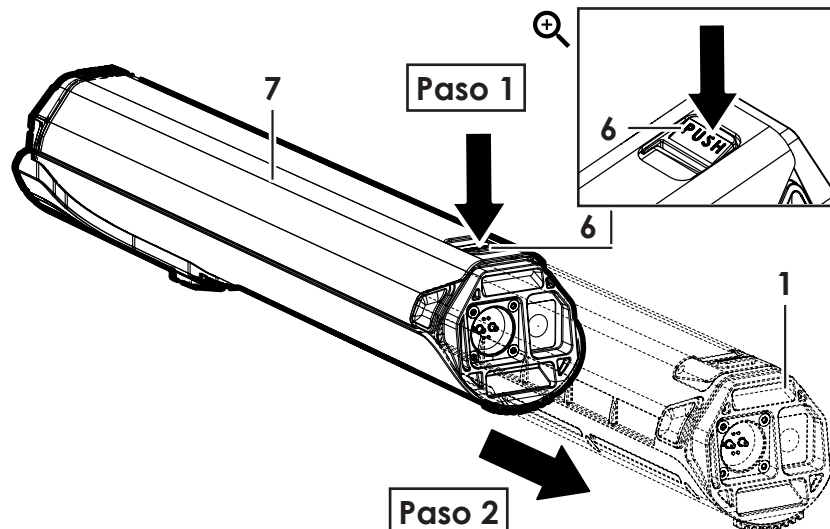
 No aplastar, calentar ni incinerar. No cortocircuitar. No desarmar. No sumergir en líquidos; puede descargarse o inutilizarse. Respetar las instrucciones de carga. Carga: de 0 °C a 45 °C. Descarga: de -20 °C a 60 °C



Acción A



Acción B



Descripción y especificaciones

Características

La numeración se refiere a las ilustraciones que aparecen en la parte inicial del manual. Las ilustraciones muestran los distintos componentes de la batería. Las ilustraciones del manual podrían diferir ligeramente de las piezas reales, según el equipamiento específico de cada bicicleta eléctrica.

1. Batería
2. Botón de encendido/apagado
3. Indicador de funcionamiento y de control de carga
4. Enchufe para conector del cargador
5. Conector al bloque de accionamiento
6. Tapa de fijación
7. Bloque de accionamiento
8. Hueco para la batería


Especificaciones


Batería de iones de litio 7000		
Número de artículo		01-2018-004
Tensión nominal	V	36
Capacidad nominal	Ah	7
Energía	Wh	252
Temperatura de trabajo	°C	-20 ... +60
Temperatura de almacenamiento	°C	-20 ... +60
Temperatura de descarga	°C	-20 ... +60
Temperatura de carga	°C	0 ... +45
Grado de protección		IP 54
Peso , aprox.	kg	1,4

* Si se superan estos límites, la potencia puede verse reducida.

Ensamble

 ¡Advertencia! Lea detenidamente y respete las Instrucciones de la batería (1).

 ¡Advertencia! Revise la batería (1) antes de cada uso y antes de cargarla. Asegúrese de que los bornes y las superficies estén limpios.

 ¡Advertencia! Antes de utilizar o de cargar la batería (1), compruebe siempre si presenta signos de daños como fisuras o quemaduras. No utilice ni cargue nunca una batería dañada (1). Póngase en contacto con un taller de servicio asociado FAZUA o visite la plataforma de servicio de FAZUA (www.fazua.com/service).

Comprobación inicial de la batería

Revise la **batería (1)** antes de cargarla o de utilizarla por vez primera.

Pulse el **botón de encendido/apagado (2)** en la **batería (1)**. Si no se iluminaran todos los LED del indicador de control de carga (3), cargue por completo la batería antes de utilizarla por vez primera. Si no se ilumina ninguno de los LED del **indicador de control de carga (3)**, la **batería (1)** puede estar dañada.

Después del primer uso y antes de cada uso, encienda la **batería (1)** pulsando el **botón de encendido/apagado (2)**.

Carga de la batería

 ¡Importante! Lea detenidamente las instrucciones del cargador antes de cargarlo por vez primera.

La **batería (1)** puede recargarse en cualquier momento de manera independiente, dentro de un bloque de accionamiento, o dentro de la bicicleta eléctrica (consulte las **Instrucciones de ensamblaje del bloque de accionamiento**).

El proceso de carga puede interrumpirse en cualquier momento.

Para asegurarse de disponer de la capacidad máxima de la **batería (1)**, cárguelo por completo antes de utilizarlo por vez primera.

Cuando la **batería (1)** no se encuentra dentro del rango de temperatura de carga, no se cargará aun cuando el cargador esté conectado. Iniciaré la carga solo una vez que se haya alcanzado la temperatura de carga.


Indicador de control de carga

Al encenderse la **batería (1)** se da inicio a la animación de encendido en el **indicador de control de carga (3)**. A continuación, los LED muestran por un momento el **estado de carga (3) (1)**.

Una vez que la **batería (1)** se ha encendido, el estado de carga se puede revisar pulsando rápidamente el **botón de encendido/apagado (2)**.

Cada LED corresponde al 20 % de la capacidad. Cuando la batería se ha cargado por completo, los cinco LED estarán encendidos. Cuando está descargada, en cambio, solo el último LED estará encendido de forma intermitente. El estado de carga de la **batería (1)** también puede verse en el mando (consulte las **Instrucciones del mando**).

Inserción/retiro de la batería

 ¡Advertencia! Asegúrese de que tanto la batería (1) como el bloque de accionamiento (7) estén limpios, ya que, de lo contrario, la fricción generada por la suciedad puede dificultar esta operación.

Para **introducir la batería (1) en el bloque de accionamiento (7)**, sujete el **bloque de accionamiento (7)** con una mano y la **batería (1)** con la otra. Asegúrese de que el **conector al bloque de accionamiento (5)** señale hacia el **hueco para la batería (8)**. Junte los dos y deje que la **batería (1)** se deslice suavemente introduciéndose en el **hueco para la batería (8)** del **bloque de accionamiento (7) (acción A)**. Una vez se haya insertado por completo la **batería (1)**, este quedará automáticamente bloqueada mediante la **tapa de fijación (6)**.

Para retirar la **batería (1)** del **bloque de accionamiento (7)**, ejerza presión sobre la **tapa de fijación (6)** y extraiga, al mismo tiempo, la **batería (1)** de su **hueco (8) (acción B)**.

Operación

ⓘ **¡Nota!** La **batería (1)** está protegida contra cortos circuitos, sobrecalentamientos, sobrecargas y descargas profundas. Esta protección puede dar lugar a un apagado automático de la **batería (1)** en casos de riesgo.

Encendido/apagado de la batería

La **batería (1)** se enciende y se apaga de la misma manera independientemente de si está o no montado en el **bloque de accionamiento (7)**.

Para **encender** la **batería (1)**, pulse el **botón de encendido/apagado (2)**. Los LED del **indicador de control de carga (3)** darán inicio a una animación de encendido y mostrarán por un momento el estado de carga.

Para **apagar** la **batería (1)**, pulse y mantenga pulsado el **botón de encendido/apagado (2)** durante 2 s. Los LED del **indicador de control de carga (3)** darán inicio a una animación de apagado y la **batería (1)** se apagará.

Si la bicicleta eléctrica no se está utilizando, la **batería (1)** se apagará para ahorrar la energía restante (consulte las **Instrucciones sobre la inactividad del bloque de accionamiento**). De la misma manera, si una **batería (1)** independiente transcurre 12 h sin introducirse en un **bloque de accionamiento (7)**, sin conectarse a un cargador o sin que se pulse alguno de sus botones, se apagará para ahorrar la energía restante.

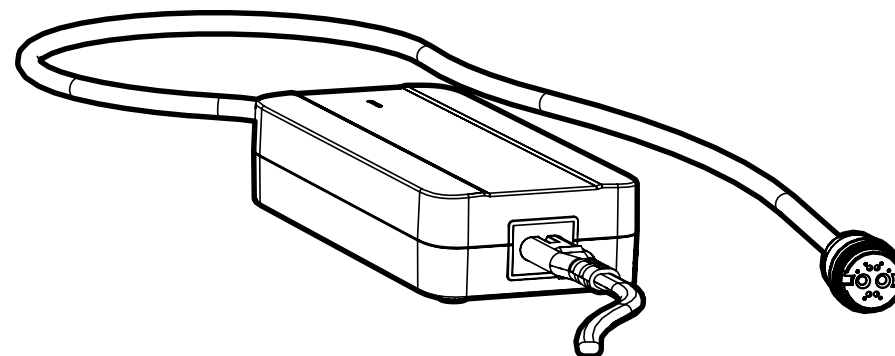
Buenas prácticas para la batería

ⓘ **¡Nota!** La **batería (1)** puede sufrir daños o su capacidad puede verse considerablemente reducida si se guarda descargado durante un período prolongado.


- La vida útil de la **batería (1)** puede prolongarse si este recibe un mantenimiento adecuado. Preste atención a las temperaturas de trabajo y almacenamiento.
- No deje la **batería (1)** conectada permanentemente en el cargador.
- Cargue la **batería (1)** al 60 % si no va a utilizarla durante un período prolongado. Vuelva a revisar la **batería (1)** después de 6 meses y, si la carga ha bajado al 20 % o menos, vuelva a cargarla al 60 %.
- Tiempo de almacenamiento con una carga del 60 %:
 - 1 mes: de -20 a 60 °C
 - 3 meses: de -20 a 45 °C
 - 1 año: de -20 a 25 °C
- Guarde la **batería (1)** en un lugar seco y bien ventilado. La temperatura ideal es de entre +5 °C y +20 °C.
- Si las condiciones atmosféricas no son favorables, desmonte el **bloque de accionamiento (7)** y la **batería (1)** de la bicicleta eléctrica y manténgalos guardados hasta el próximo uso.
- No se recomienda dejar la **batería (1)** en la bicicleta eléctrica.

evATION 1.0

Cargador















Instrucciones de seguridad

¡Importante! Lea detenidamente las advertencias de seguridad  y las instrucciones de todos los componentes del sistema de accionamiento así como de su bicicleta eléctrica.

¡Importante! Lea detenidamente las instrucciones de seguridad. El incumplimiento de las presentes instrucciones de seguridad puede provocar descargas eléctricas, incendios o lesiones de gravedad.

Conserve todas las instrucciones y advertencias de seguridad para futuras consultas.

-  **Mantenga el cargador protegido del agua y la humedad.** De lo contrario, el riesgo de descargas eléctricas es alto.
-  **Cargue exclusivamente baterías originales evation aprobados por el fabricante de la bicicleta eléctrica.** De lo contrario, pueden generarse riesgos de incendio o explosión.
-  **No abra el cargador.** Debe ser abierto solo por expertos cualificados y debe repararse utilizando exclusivamente piezas de repuesto originales.
-  **Revise el cargador, el cable y el conector antes de cada uso. Si nota daños, no lo use.** El riesgo de descargas eléctricas es alto.
-  **Mantenga el cargador limpio.** La suciedad en el cargador aumenta el riesgo de descarga eléctrica.
-  **Mantenga el cargador y la batería alejados de materiales inflamables. Asegúrese de que el cargador y la batería estén secos y se encuentren en un área protegida contra posibles riesgos de incendio al realizar la carga.** El calor producido durante la carga puede dar lugar a incendios.
-  **Preste atención al tocar el cargador durante la carga o tan pronto como esta ha terminado.** El cargador puede alcanzar temperaturas muy altas.
-  **Supervise constantemente el cargador durante la carga.**
-  **Las personas con algún impedimento para operar el cargador en condiciones de seguridad deberán utilizarlo únicamente bajo supervisión.**

-  **Mantenga el cargador fuera del alcance de los niños.**
-  **La batería puede desprender vapores si está dañada.** En caso de malestar, asegúrese de que se respire aire puro y busque atención médica.
-  **Los conectores magnéticos de la batería y del cargador pueden dar lugar a problemas de funcionamiento en marcapasos, por lo que deben mantenerse alejados de dichos aparatos.**

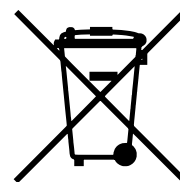
Limpieza, mantenimiento y servicio

Mantenga limpios todos los componentes de su bicicleta eléctrica y de su sistema de accionamiento. Preste especial atención a los contactos y a las interfaces entre la batería y el bloque de accionamiento, así como entre el bloque de accionamiento y el pedalier. Asegúrese de que estén completamente secos antes de cada uso.

Mantener limpio el radiador del bloque de accionamiento mejorará su rendimiento de refrigeración. Engrase el bloqueo cada pocos meses o cuando el funcionamiento comience a ser irregular. No sumerja ni limpie ninguno de los componentes del sistema de accionamiento con equipos de limpieza a alta presión. Límpielos con cuidado utilizando un paño o un cepillo suave.

Para recibir información sobre el servicio de su sistema de accionamiento, póngase en contacto con un taller de servicio asociado FAZUA o visite la plataforma de servicio de FAZUA (www.fazua.com/service).

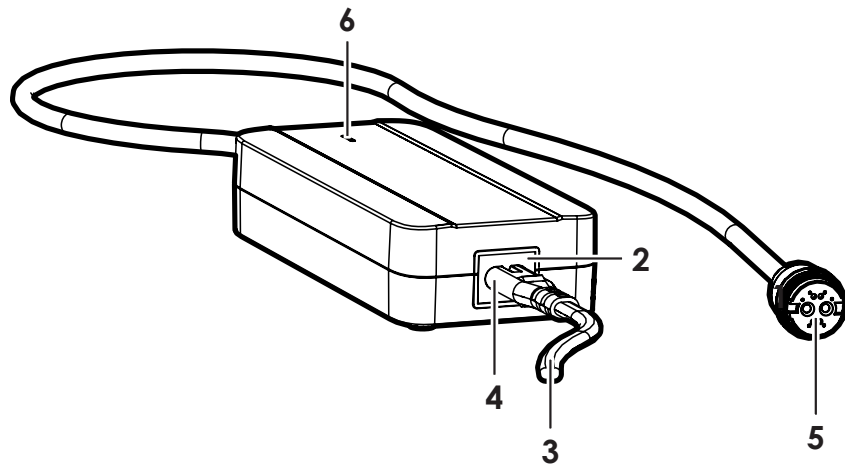
Eliminación



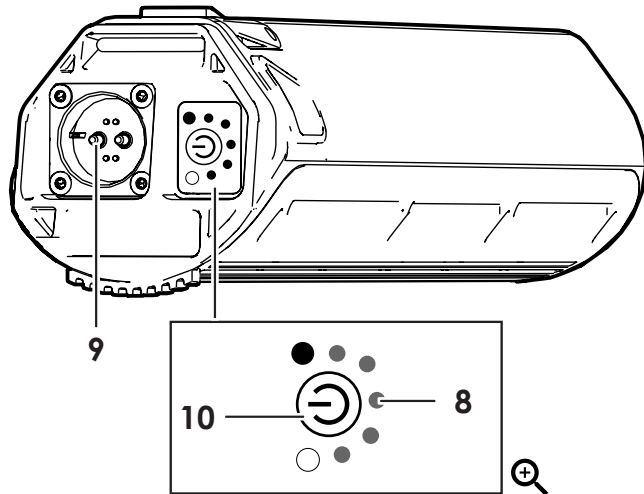
El pedalier, el bloque de accionamiento, el mando, la batería, el cargador, los accesorios y el embalaje deben eliminarse de forma respetuosa con el medio ambiente. No elimine la bicicleta eléctrica ni sus componentes con la basura doméstica.

Solo en países de la UE: Conforme a las directivas comunitarias 2012/19/UE y 2006/66/CE respectivamente, los dispositivos eléctricos rotos y las baterías usadas deben almacenarse por separado y eliminarse de forma respetuosa con el medio ambiente.

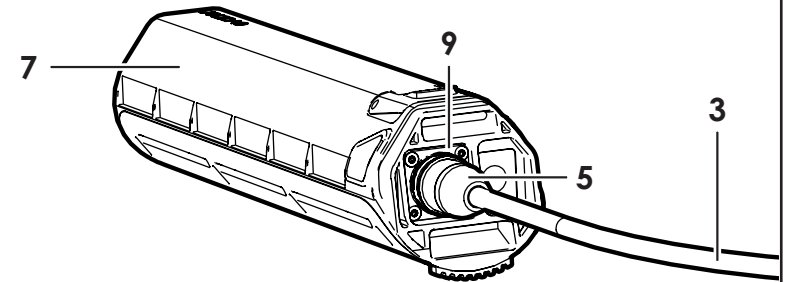
Cargador 1



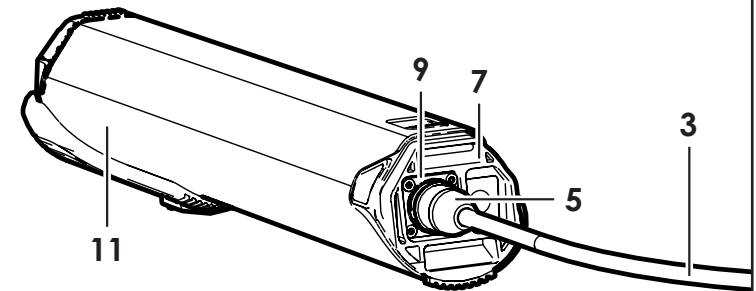
Batería 7



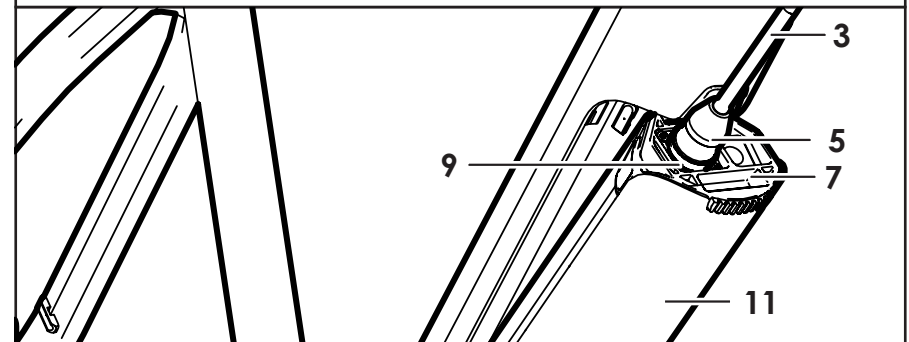
Acción A



Acción B



Acción C



Descripción y especificaciones

Características


La numeración se refiere a las ilustraciones que aparecen en la parte inicial del manual. Las ilustraciones muestran los distintos componentes del cargador y otras unidades FAZUA. Las ilustraciones del manual podrían diferir ligeramente de las piezas reales, según el equipamiento específico de cada bicicleta eléctrica.


1. Cargador
2. Enchufe de alimentación
3. Cable de alimentación
4. Conector de alimentación
5. Conector de carga
6. Indicador LED del cargador
7. Batería
8. Indicador de control de carga
9. Enchufe para conector del cargador
10. Botón de encendido/apagado
11. Bloque de accionamiento


Especificaciones

Batería de iones de litio 7000		
Número de artículo		01-2018-005
Tensión de entrada nominal	V CA	100 ... 240
Frecuencia	Hz	50 ... 60
Tensión de salida	V CC	42
Corriente de carga	A	2
Tiempo de carga (aprox.)	h	3,5
Temperatura de trabajo	°C	-20 ... +60
Temperatura de almacenamiento	°C	-20 ... +60
Grado de protección		IP 54
Peso , aprox.	kg	0,6

Operación


 **¡Advertencia!** Supervise la tensión de red. La tensión suministrada al **cargador (1)** debe estar dentro de los límites establecidos en las especificaciones.

 **¡Advertencia!** **Lea detenidamente y respete las instrucciones de la batería. ¡Advertencia! Revise la batería antes de cada uso y antes de cargarla. Asegúrese de que los bornes y las superficies estén limpios.**

 **¡Advertencia!** **Antes de utilizar o de cargar la batería, compruebe siempre si presenta signos de daños como, p. ej., fisuras o quemaduras. No utilice ni cargue nunca una batería dañada.** Póngase en contacto con un taller de servicio asociado FAZUA o visite la plataforma de servicio de FAZUA (www.fazua.com/service).

Conexión del cargador a la red de alimentación

Conecte el **conector de alimentación (4)** del **cable de alimentación (3)** al **enchufe de alimentación (2)** del **cargador (1)**. Seguidamente, enchufe el cable de red (específico del país) a la alimentación de red.

 **¡Nota!** Cargue la **batería (7)** únicamente si se han respetado todas las instrucciones de seguridad. De lo contrario, deténgase y asegúrese de que se respeten todas las instrucciones de seguridad antes de dar inicio a la carga.

Conexión del cargador a independiente

Conecte el **conector de carga (5)** del **cargador (1)** al **enchufe de carga (9)** de la **batería (7)** (acción A).

Conexión del cargador a una batería instalada en un bloque de accionamiento

La **batería (7)** puede cargarse independientemente de si está o no instalada en el **bloque de accionamiento (11)** (consulte las **Instrucciones del bloque de accionamiento**).

Conecte el **conector de carga (5)** del **cargador (1)** al **enchufe de carga (9)** de la **batería (7)** instalada en el **bloque de accionamiento (11)** (**acción B**).

Conexión del cargador a una batería instalada en la bicicleta eléctrica

Es posible cargar la **batería (7)** cuando está instalada en la bicicleta eléctrica.

En primer lugar, ponga el **bloque de accionamiento (11)** en posición de carga en la bicicleta eléctrica (consulte las **Instrucciones de ensamblaje del bloque de accionamiento**).

Conecte entonces el **conector de carga (5)** del **cargador (1)** en el **enchufe de carga (9)** de la **batería (7)** instalada en la bicicleta eléctrica (**acción C**).

Proceso de carga

La carga iniciará tan pronto como el **conector de carga (5)** del **cargador (1)** se conecte al **enchufe de carga (9)** de la **batería (7)**.

El estado de carga se muestra mediante el **indicador de control de carga (8)** en la **batería (7)**. Los LED del **indicador de control de carga (8)** se encenderán de acuerdo con el estado de carga actual. Cada LED corresponde al 20 % de la capacidad, por lo que en el estado de carga completa, los 5 LED se encenderán.

En cuanto la **batería (7)** se haya cargado por completo, los LED del **indicador de control de carga (8)** se apagarán. Podrá consultar entonces el estado de carga pulsando rápidamente el **botón de encendido/apagado (10)** de la **batería (7)**.

Cuando el proceso de carga haya finalizado, desconecte el **cargador (1)** de la red, y la **batería (7)** del **cargador (1)**.

evation 1.0

Garantía del fabricante



Garantía del fabricante

FAZUA GmbH, Hofmannstr. 61, 81379 Múnich (en lo sucesivo "fabricante") garantiza al cliente final (en lo sucesivo "cliente"), con arreglo a las siguientes disposiciones, que el sistema de accionamiento y sus componentes (en lo sucesivo "producto") montados en la bicicleta adquirida por el cliente dentro de la Unión Europea (a fecha de 01/01/2017) y de Suiza (en lo sucesivo "ámbito local de aplicación") estarán operativos de forma ilimitada y libres de fallos de construcción, material o procesamiento durante un período de dos años a partir de la entrega (período de garantía).

En caso de producirse un fallo y/o de que el sistema de accionamiento no funcione de forma ilimitada, el fabricante subsanará dicho perjuicio a discreción propia y asumiendo él los costes mediante reparación o suministro de componentes nuevos o procesados.

Los derechos legales del cliente por deficiencias según el art. 437 del Código Civil alemán (BGB) no se ven afectados por ello y tampoco están limitados por esta garantía.

Los derechos derivados de esta garantía están sujetos a las siguientes condiciones

- el producto no presenta daños ni signos de desgaste provocados por un uso contrario al uso normal previsto y a las especificaciones del fabricante expuestas en el manual de usuario,
- el producto no presenta características que puedan ser indicio de reparaciones u otro tipo de manipulaciones por parte de talleres no autorizados por el fabricante y
- no se ha eliminado ni ocultado el número de fabricación.

Los derechos derivados de la presente garantía presuponen que el cliente, antes de enviar el producto, ha contactado bien con el distribuidor donde ha adquirido la bicicleta o bien con el fabricante y que ha tenido la oportunidad de realizar un análisis de fallos telefónico durante un período de ocho días.

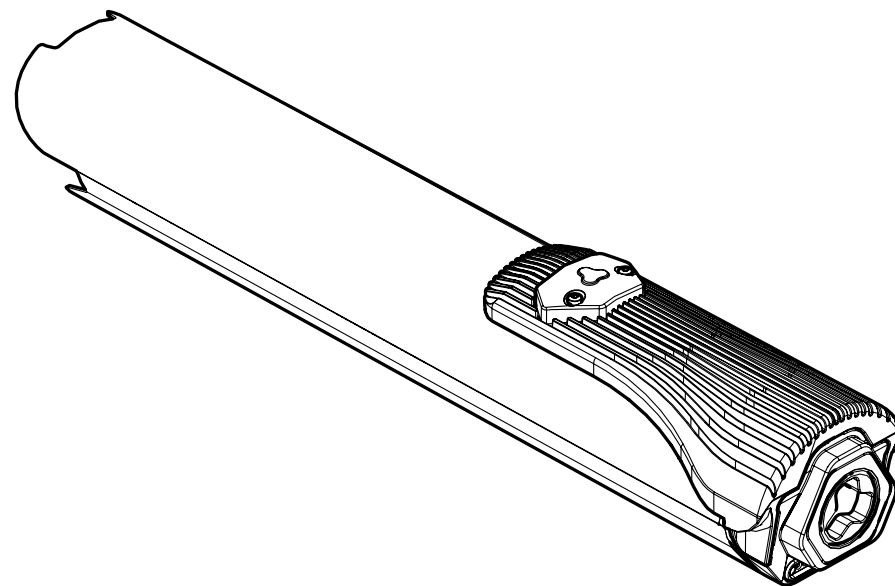
Los derechos derivados de esta garantía pueden hacerse valer exclusivamente mediante la entrega o el envío del producto al fabricante. Requisito imprescindible para la reclamación en garantía es la presentación de la factura original con la fecha de compra. El fabricante asume los costes derivados del envío y retorno del producto. Si el fabricante o el distribuidor hubieran comunicado al cliente una determinada empresa de transporte para el envío y si el cliente recurre a otra empresa de transporte, el cliente deberá asumir los sobrecostes ocasionados.

La presente garantía es válida en el alcance anteriormente citado y en las condiciones anteriormente citadas, inclusive la presentación del comprobante de compra, también en caso de reventa para los futuros propietarios del producto residentes en el ámbito local de aplicación de esta garantía.


Esta garantía está sujeta al derecho de la República Federal de Alemania en tanto en cuanto no contravenga las disposiciones de protección del consumidor no obligatorias del país del cliente.

evATION 1.0

Unità motore 25 km/h











Indicazioni di sicurezza

Importante! Leggere con attenzione le indicazioni di sicurezza  e le istruzioni di tutti i componenti del sistema di propulsione e dell'eBike.

Importante! Leggere attentamente le indicazioni di sicurezza. Il non rispetto di queste indicazioni può provocare folgorazioni, incendi o lesioni gravi.

Conservare tutte le indicazioni di sicurezza e le istruzioni per consultazioni future.

-  **Non aprire l'unità motore.** L'unità motore è esente da manutenzione. Può essere aperto solo da personale qualificato e riparato utilizzando pezzi di ricambio originali. L'apertura non autorizzata del sistema comporta la decadenza della garanzia.
-  **Tutti i componenti dell'unità motore e dell'eBike possono essere sostituiti solo con componenti identici o con componenti esplicitamente approvati dal produttore dell'eBike.** In questo modo si previene il rischio di danni all'unità motore.
-  **Non modificare l'unità motore e non aggiungere componenti non approvati con il fine di migliorarne le prestazioni.**
-  **Rimuovere sempre l'unità motore dall'eBike prima di eseguire interventi sull'eBike, di trasportarla e di immagazzinarla.** Rischio di incidente in caso di attivazione involontaria.
-  **Prestare attenzione quando si tocca il radiatore dell'unità motore.** Il radiatore può raggiungere temperature elevate e causare bruciate.
-  **La funzione di aiuto alla spinta può essere utilizzata solo quando si spinge l'eBike.** Rischio di lesioni se le ruote non toccano il suolo quando viene utilizzata questa funzione.
-  **Usare solo batterie evation approvate dal produttore dell'eBike.** L'utilizzo di batterie non autorizzate può causare lesioni e incendi. FAZUA declina ogni responsabilità per l'utilizzo di batterie non autorizzate.
-  **Osservare tutte le normative nazionali in tema di eBike e pedelec.**

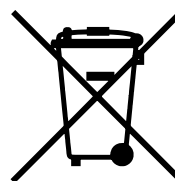
Pulizia, manutenzione e assistenza

Tenere puliti tutti i componenti dell'eBike e del sistema di propulsione. Prestare particolare attenzione ai connettori e alle interfacce tra batteria e unità motore nonché tra unità motore e movimento centrale. Questi devono essere completamente asciutti prima di essere usati.

Per migliorarne il raffreddamento mantenere pulito il radiatore dell'unità motore. Lubrificare la serratura a distanza di qualche mese o quando con il passare del tempo risulta difficile utilizzarla. Non immergere in acqua e non pulire con idropulitrice i componenti del sistema di propulsione. Pulire attentamente tutti i componenti del sistema di propulsione utilizzando un panno o una pennello morbido.

Per maggiori informazioni sul servizio di assistenza, contattare il Service Partner FAZUA di fiducia o consultare la pagina Web di FAZUA dedicata all'assistenza (www.fazua.com/service).

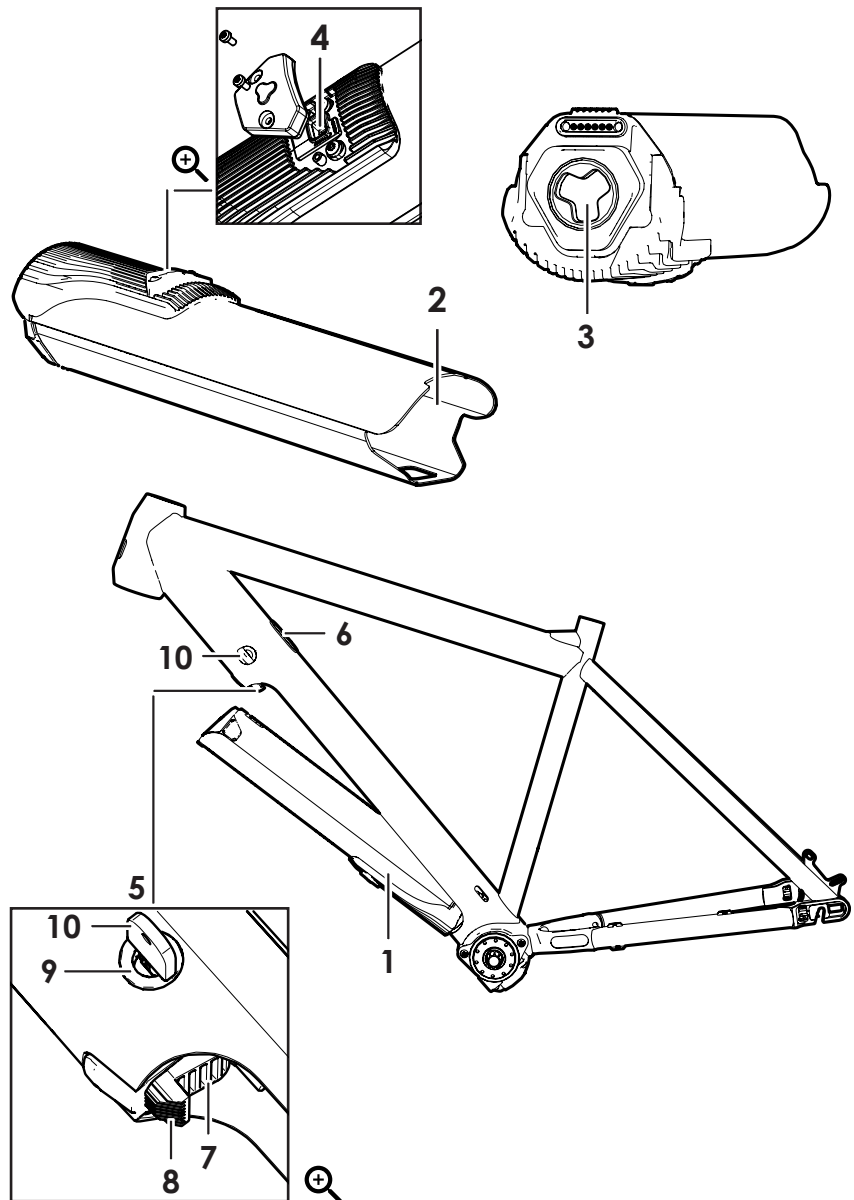
Smaltimento



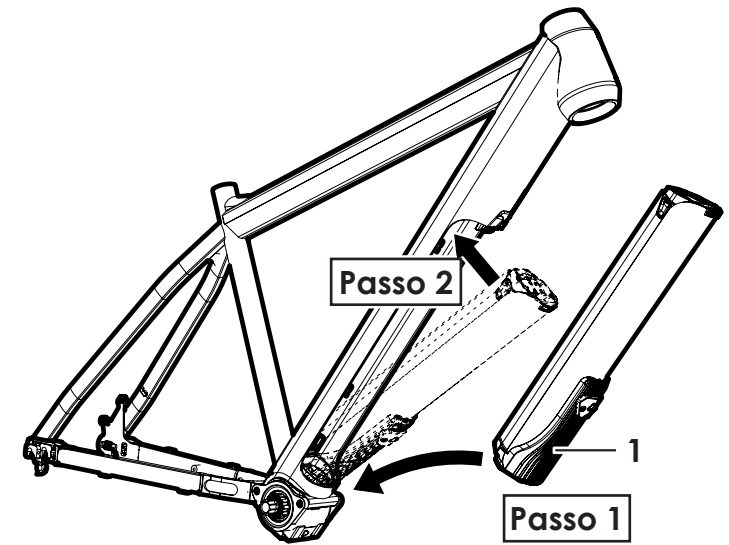
Smaltire movimento centrale, unità motore, comando, batteria, caricabatteria, accessori e imballaggio in modo consono. Non gettare l'e-Bike e i vari componenti insieme ai normali rifiuti domestici.

Paesi UE: Sulla base della direttiva UE 2012/19/UE i dispositivi elettrici non funzionanti e sulla base della direttiva UE 2006/66/CE le batterie usate devono essere conservate separatamente e smaltite in modo consono alla protezione ambientale.

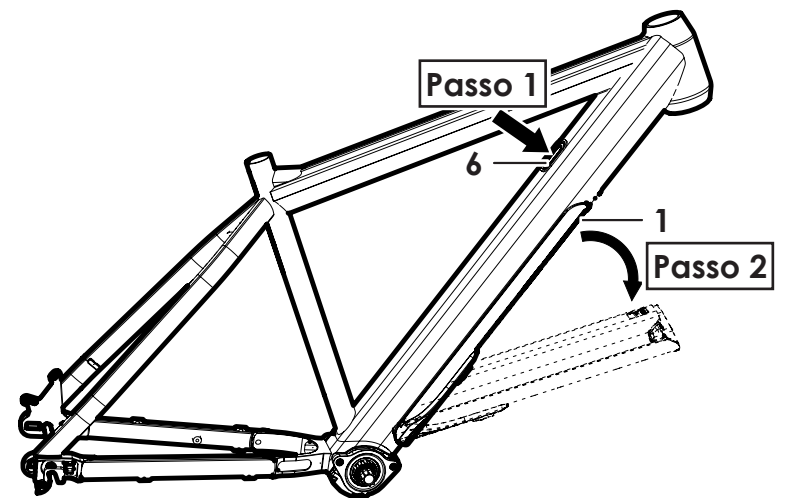
Unità motore 1

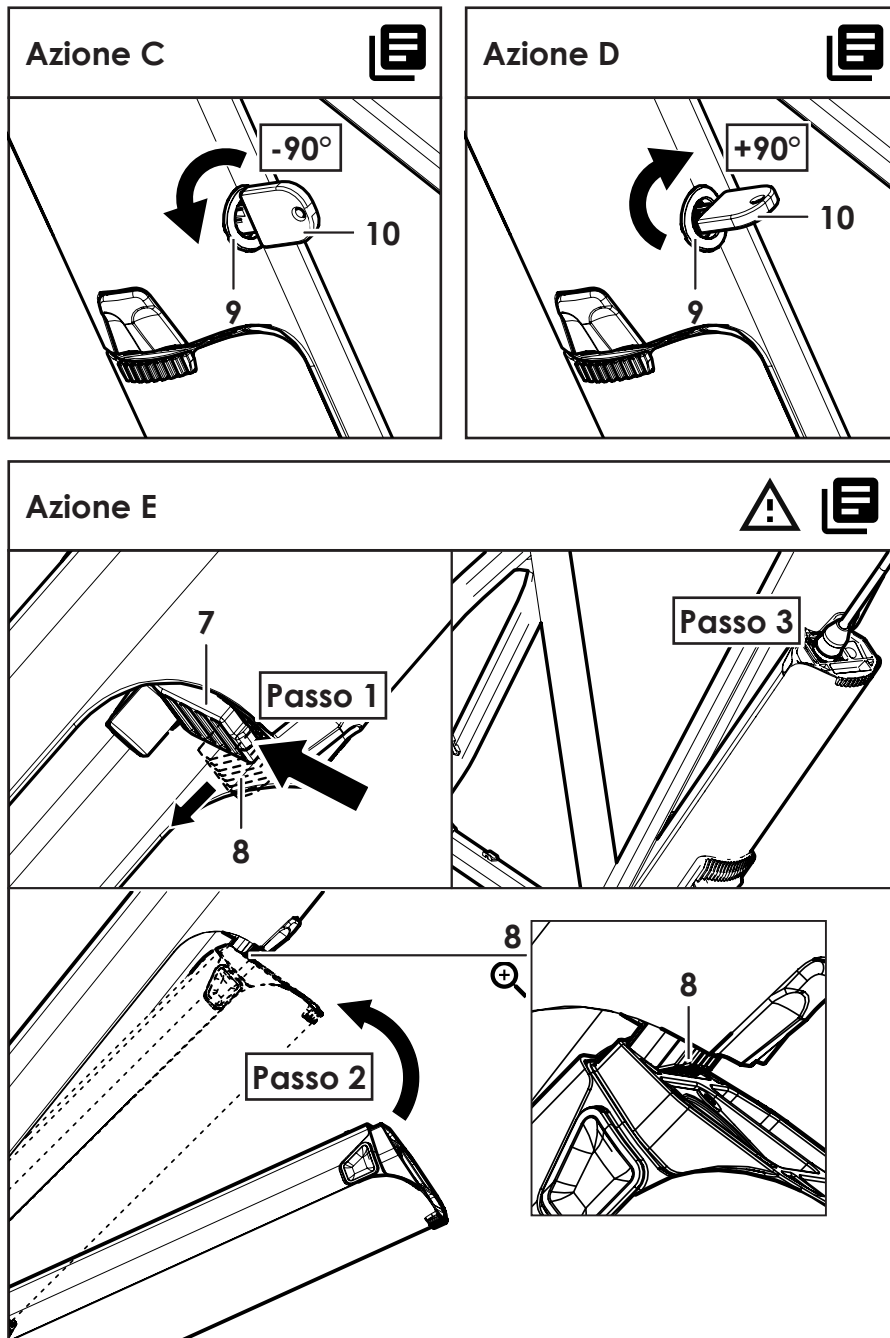


Azione A



Azione B





Descrizione e specifiche tecniche

Uso consentito

L'unità motore può essere utilizzata solo per movimentare una eBike. Ogni altro uso non è consentito.

Caratteristiche

La numerazione si riferisce alle figure presenti all'inizio del manuale. Le figure mostrano i diversi componenti dell'unità motore e degli altri moduli FAZUA. In base alla versione dell'eBike, le figure contenute nel manuale possono differire leggermente dai componenti reali.

1. Unità motore
2. Vano batteria
3. Interfaccia al movimento centrale
4. Porta USB
5. Serratura unità motore
6. Pulsante di sblocco
7. Cuneo di pressione
8. Gancio di fissaggio
9. Cilindro serratura
10. Chiave serratura

Specifiche

Unità motore		
Codice articolo		01-2018-001
Uscita continua nominale	W	250
Uscita max.	W	400
Torsione catena, max.	Nm	60
Tensione nominale	V	36
Temperatura di esercizio	°C	-20 ... +60
Temperatura di stoccaggio	°C	-20 ... +60
Classe di protezione		IP 54
Peso, circa	kg	2

Montaggio

Inserimento/Rimozione della batteria

Per inserire/rimuovere la batteria nella/dalla eBike, seguire le **Istruzioni della batteria**.

Montaggio dell'unità motore nella eBike

Dopo aver inserito la batteria nell'**unità motore (1)** (vedi **Istruzioni della batteria**), poggiare l'**interfaccia per il movimento centrale (3)** sull'interfaccia aperta sul movimento centrale (**azione A, passo 1**) appena sotto il tubo obliquo della eBike.

Inserire ora la parte superiore dell'**unità motore (1)** nel tubo obliquo fino a far scattare il **gancio di fissaggio (8)** (**Azione A, Passo 2**). Controllare che l'**unità motore (1)** sia fermamente fissata nel tubo obliquo e non possa fuoriuscire.

Smontaggio dell'unità motore dalla eBike

! Importante! Tenere l'**unità motore (1)** con una mano durante le operazioni di rimozione; in caso contrario l'**unità motore (1)** potrebbe cadere dal telaio.

Tenendo con una mano l'**unità motore (1)** montata, premere con l'altra mano il **pulsante di sblocco (6)** (**Azione B, Passo 1**). Ora è possibile rimuovere l'**unità motore (1)** con facilità (**Azione B, Passo 2**).

Nota! Alcune volte l'operazione di rimozione può essere facilitata premendo l'**unità motore (1)** contro il telaio prima di premere il **pulsante di sblocco (6)**.

Chiusura/Apertura dell'unità motore nella eBike

Una volta montato nell'eBike, l'**unità motore (1)** può essere bloccata così da impedirne la rimozione. Per **bloccare l'unità motore (1)** montata, inserire la **chiave (10)** nel **cilindro della serratura (9)** e girarla in **senso antiorario (Azione C)**.

Per **sbloccare l'unità motore (1)** dalla eBike, inserire la **chiave (10)** nel **cilindro (9)** e girarla in **senso orario (Azione D)**.

Caricamento della batteria nella eBike

⚠ Attenzione! Leggere attentamente e osservare le indicazioni contenute nelle istruzioni della batteria. **Attenzione!** Prestare attenzione alle condizioni della batteria prima di ogni uso e prima di caricarla. Tenere puliti i connettori e le superfici.

⚠ Attenzione! Prima di usare o caricare la batteria, controllare la presenza di segni di danni come crepe o bruciate. **Non usare o caricare una batteria danneggiata.** Contattare il Service Partner FAZUA di fiducia o consultare la pagina Web di FAZUA dedicata all'assistenza (www.fazua.com/service).

L'**unità motore (1)** può essere montata nell'eBike lasciando accessibile la porta per la carica della batteria. Per fare questo, smontare l'**unità motore (1)** dall'eBike (**Azione B**). Premere il **cuneo di pressione (7)** sulla **serratura (5)** per far fuoriuscire il **gancio di fissaggio (8)** (**Azione E, Passo 1**). Rimontare ora l'**unità motore (1)** nell'eBike senza spingere la parte superiore completamente all'interno (**Azione E, Passo 2**). In questo modo il **gancio di fissaggio (8)** bloccherà l'**unità motore (1)** senza essere completamente inserita.

Funzionamento

Premesse

Per utilizzare il sistema di propulsione per eBike devono essere soddisfatte le seguenti premesse:

- La batteria è sufficientemente carica, è inserita e accesa (vedi **Istruzioni della batteria**).
- L'**unità motore (1)** è montata nell'eBike.
- Il sensore di velocità è collegato in modo corretto al movimento centrale e il magnete è in posizione corretta (vedi **Istruzioni del movimento centrale**).

Accensione e spegnimento del sistema

Il sistema può essere controllato con un comando approvato da FAZUA. Una volta che l'**unità motore (1)** è stata montata nell'eBike è possibile **accendere** il sistema premendo uno dei pulsanti del comando (vedi **Istruzioni del comando**).

La potenza in uscita dipende dal livello impostato nel comando.

Quando si interrompe la pedalata o quando viene raggiunta la velocità di 25 km/h il sistema di propulsione viene disinserito. Il sistema si riaccende quando si riprende a pedalare e la velocità è inferiore a 25 km/h.

Sono previsti diversi modi per **spegnere** il sistema:

- Premere e mantenere premuto il pulsante centrale del comando per 2 s (vedi **Istruzioni del comando**).
- Smontare l'**unità motore (1)** dalla eBike.
- Spegner la batteria (vedi **Istruzioni della batteria**).
- Mettere in stato di non attività l'eBike.

Impostazione del livello di assistenza

Sul comando è possibile impostare il livello di assistenza che l'eBike deve offrire quando si pedala. Il livello di assistenza può essere impostato in qualunque momento, anche mentre si sta andando in bicicletta. Per cambiare il livello di assistenza, premere i pulsanti su/giù presenti sul comando (vedi **Istruzioni del comando**).

Sono disponibili i seguenti livelli di assistenza:

- **Nessuna assistenza (bianco):** L'assistenza alla pedalata è disattivata. L'eBike può essere utilizzata come una normale bicicletta.
- **Brezza (verde):** Assistenza minima ma efficiente per massimizzare il range di utilizzo dell'eBike.
- **Fiume (blu):** Assistenza sostenuta adatta a molti scenari di utilizzo.
- **Razzo (rosa):** Assistenza massima per le uscite più impegnative.

Livello di assistenza	Colore	Fattore di assistenza max.	Potenza max.
Nessun supporto	Bianco	0%	0 W
Brezza	Verde	75%	125 W
Fiume	Blu	150%	250 W
Razzo	Rosa	240%	400 W

Accendere e spegnere la funzione di aiuto alla spinta

La funzione di aiuto alla spinta fornisce assistenza quando si deve spingere l'eBike. La velocità dell'eBike in modalità di aiuto alla spinta può variare in base alla marcia inserita. La velocità massima è di 6 km/h. L'utente può ridurre la velocità dell'eBike alla velocità di camminata tenendo in modo fermo l'eBike mentre cammina.

⚠ Attenzione! La modalità di aiuto alla spinta è consentita soltanto quando si sta spingendo l'eBike. Si declina qualsiasi responsabilità per l'utilizzo improprio della modalità di aiuto alla spinta.

Per **attivare** la modalità di aiuto alla spinta, impostare il sistema con il comando sulla modalità "Nessuna assistenza" (vedi **Istruzioni del comando**). Quindi premere e tenere premuto il pulsante "Giù" sul comando. Dopo 2 s la modalità di aiuto alla spinta si attiva.

⚠ Attenzione! Tenere le mani in modo saldo sul manubrio dell'eBike quando si sta usando questa funzione. In caso contrario è possibile perdere temporaneamente il controllo dell'eBike.

L'aiuto alla spinta è disattivo quando:

- Si rilascia il pulsante "Down".
- Le ruote della eBike sono bloccate.
- La velocità supera i 6 km/h.

Inattività

Se l'eBike è inattiva, il sistema disattiverà automaticamente la batteria. Per riavviare il funzionamento da un periodo di inattività è necessario riaccendere la batteria (vedi **Istruzioni della batteria**). L'eBike diventa inattiva quando:

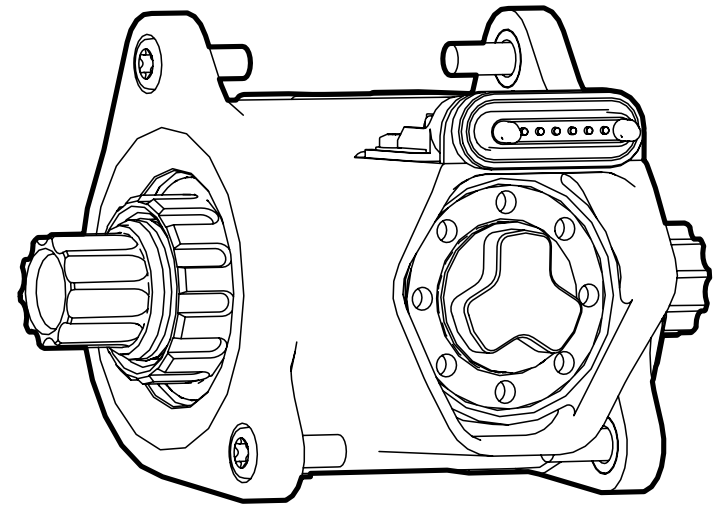
- L'eBike rimane ferma e nessun pulsante del comando viene premuto per 10 ore.
- Lo stato di carica della batteria è inferiore al 30%, la bicicletta rimane ferma e nessun pulsante del comando viene premuto per 3 ore.

Precauzioni per quando si guida l'eBike


- Usare il cambio come su una normale bicicletta. Indipendentemente dal tipo di cambio, si raccomanda di interrompere brevemente la pedalata quando si cambia rapporto. Questo riduce lo stress sul cambio e sulla catena cinematica.
- L'utilizzo del giusto rapporto aumenta la velocità, la potenza e la durata di utilizzo dell'eBike con lo stesso sforzo di pedalata.
- Si consiglia di acquisire esperienza gradualmente con la propria eBike lontano dalle strade e dal traffico. Si consiglia di testare la durata di utilizzo della propria eBike in differenti condizioni prima di utilizzarla per lunghe uscite.
- Non è possibile prevedere in modo accurato la durata di utilizzo del sistema prima o durante un'uscita. La durata di utilizzo dell'eBike viene influenzata da numerosi fattori:
 - Livello di assistenza
 - Velocità
 - Utilizzo del cambio
 - Tipo di pneumatici e pressione
 - Percorso e condizioni ambientali
 - Peso della bicicletta e del ciclista
 - Età della batteria
- Prestare attenzione alle temperature di esercizio e di stoccaggio dei componenti dell'eBike. Questo vale soprattutto per la batteria che può essere danneggiata dalle temperature elevate.

evATION 1.0

Movimento centrale






Indicazioni di sicurezza

Importante! Leggere con attenzione le indicazioni di sicurezza  e le istruzioni di tutti i componenti del sistema di propulsione e dell'eBike.

Importante! Leggere attentamente le indicazioni di sicurezza. Il non rispetto di queste indicazioni può provocare folgorazioni, incendi o lesioni gravi.

Conservare tutte le indicazioni di sicurezza e le istruzioni per consultazioni future.

-  **Non aprire il movimento centrale.** Il movimento centrale è esente da manutenzione. Può essere aperto solo da personale qualificato e riparato utilizzando pezzi di ricambio originali. L'apertura non autorizzata del sistema comporta la decadenza della garanzia.
-  **Tutti i componenti del movimento centrale e dell'eBike possono essere sostituiti solo con componenti identici o con componenti esplicitamente approvati dal produttore dell'eBike.** In questo modo si previene il rischio di danni all'unità motore.
-  **Non modificare il movimento centrale e non aggiungere componenti non approvati con il fine di migliorarne le prestazioni.**

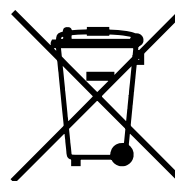
Pulizia, manutenzione e assistenza

Tenere puliti tutti i componenti dell'eBike e del sistema di propulsione. Prestare particolare attenzione ai connettori e alle interfacce tra batteria e unità motore nonché tra unità motore e movimento centrale. Questi devono essere completamente asciutti prima di essere usati.

Per migliorarne il raffreddamento mantenere pulito il radiatore dell'unità motore. Lubrificare la serratura a distanza di qualche mese o quando il suo utilizzo risulta con il passare del tempo più difficile. Non immergere in acqua e non pulire con idropulitrice i componenti del sistema di propulsione. Pulire attentamente tutti i componenti del sistema di propulsione utilizzando un panno o una pennello morbido.

Per maggiori informazioni sul servizio di assistenza, contattare il Service Partner FAZUA di fiducia o consultare la pagina Web di FAZUA dedicata all'assistenza (www.fazua.com/service).

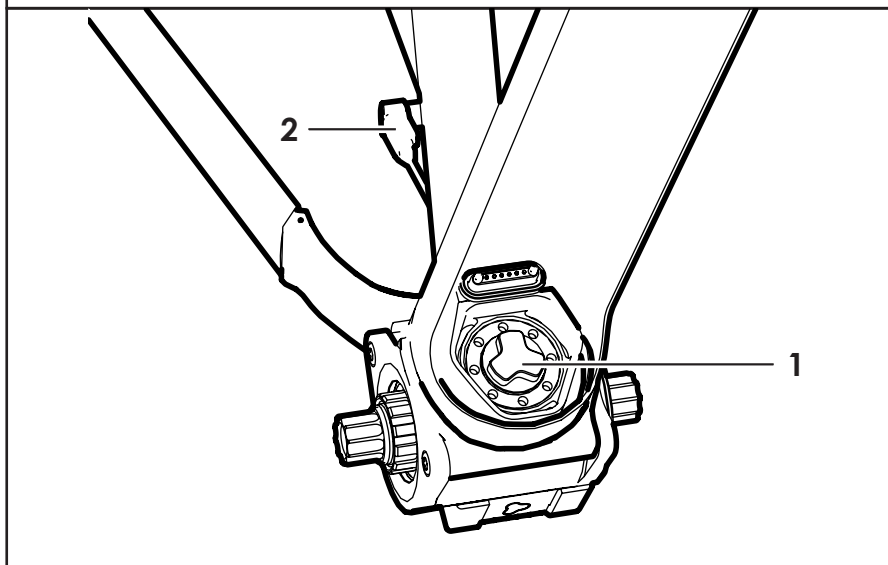
Smaltimento



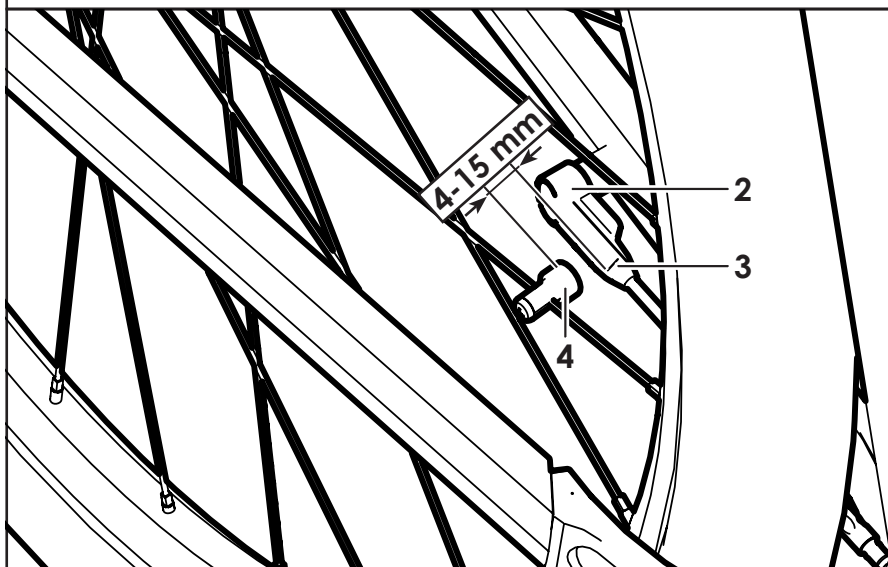
Smaltire movimento centrale, unità motore, comando, batteria, caricabatteria, accessori e imballaggio in modo consono. Non gettare l'e-Bike e i vari componenti insieme ai normali rifiuti domestici.

Paesi UE: Sulla base della direttiva UE 2012/19/UE i dispositivi elettrici non funzionanti e sulla base della direttiva UE 2006/66/CE le batterie usate devono essere conservate separatamente e smaltite in modo consono alla protezione ambientale.

Movimento centrale 1



Sensore di velocità 2



Descrizione e specifiche tecniche

Caratteristiche

La numerazione si riferisce alle figure presenti all'inizio del manuale. Le figure mostrano i diversi componenti che fanno parte del movimento centrale. In base alla versione dell'eBike, le figure contenute nel manuale possono differire leggermente dai componenti reali.

1. Movimento centrale
2. Sensore di velocità
3. Tacca di posizione del magnete
4. Magnete del sensore di velocità per i raggi

Specifiche

Movimento centrale		
Codice articolo		01-2018-002-01
Assistenza Torque, max.	Nm	60
Q Factor, min.	mm	135 (senza braccio)
Temperatura di esercizio	°C	-20 ... +60
Temperatura di stoccaggio	°C	-20 ... +60
Classe di protezione		IP 54
Linea catena	mm	49, 52
Peso, circa	kg	1,3

Montaggio

Regolazione del sensore di velocità

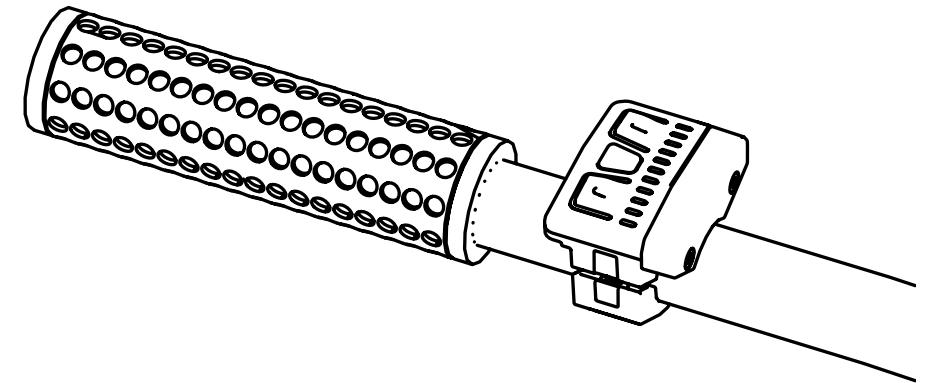
Il **sensore di velocità (2)** e il **magnete per raggi (4)** devono soddisfare 2 condizioni:

- La posizione del **magnete (4)** sul raggio deve permettere al **magnete (4)** di passare accanto alla **tacca di posizione del magnete (3)**.
- Quando si incontrano, la distanza tra il **sensore di velocità (2)** e il **magnete (4)** deve essere compresa tra 4 e 15 mm.


Nota! Se la distanza tra **sensore di velocità (2)** e **magnete (4)** non è corretta o se il **sensore di velocità (2)** non è collegato correttamente, l'eBike funzionerà in condizione di "Errore minore". Questo errore viene notificato sul comando (vedi **Istruzioni del comando**). In questo caso, allentare la **vite del magnete (4)** e serrarla nuovamente facendo in modo che passi vicino alla **tacca del sensore di velocità (3)** alla distanza corretta. Se non è possibile risolvere il problema, contattare un rivenditore autorizzato o consultare la pagina Web di FAZUA dedicata all'assistenza (www.fazua.com/service).

evATION I.0

Comando





Indicazioni di sicurezza

Importante! Leggere con attenzione le indicazioni di sicurezza  e le istruzioni di tutti i componenti del sistema di propulsione e dell'eBike.

Importante! Leggere attentamente le indicazioni di sicurezza. Il non rispetto di queste indicazioni può provocare folgorazioni, incendi o lesioni gravi.

Conservare tutte le indicazioni di sicurezza e le istruzioni per consultazioni future.

 **Non aprire i componenti del sistema di propulsione.** I componenti sono esenti da manutenzione. Possono essere aperti solo da personale qualificato e riparati utilizzando pezzi di ricambio originali. L'apertura non autorizzata del sistema comporta la decadenza della garanzia.

 **Prestare attenzione al traffico e all'ambiente circostante quando si interviene sul comando evation. Rischio di incidente se non si è concentrati sul traffico.**

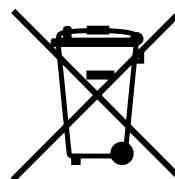
Pulizia, manutenzione e assistenza

Tenere puliti tutti i componenti dell'eBike e del sistema di propulsione. Prestare particolare attenzione ai connettori e alle interfacce tra batteria e unità motore nonché tra unità motore e movimento centrale. Questi devono essere completamente asciutti prima di essere usati.

Per migliorarne il raffreddamento mantenere pulito il radiatore dell'unità motore. Lubrificare la serratura a distanza di qualche mese o quando il suo utilizzo risulta con il passare del tempo più difficile. Non immergere in acqua e non pulire con idropulitrice i componenti del sistema di propulsione. Pulire attentamente tutti i componenti del sistema di propulsione utilizzando un panno o una pennello morbido.

Per maggiori informazioni sul servizio di assistenza, contattare il Service Partner FAZUA di fiducia o consultare la pagina Web di FAZUA dedicata all'assistenza (www.fazua.com/service).

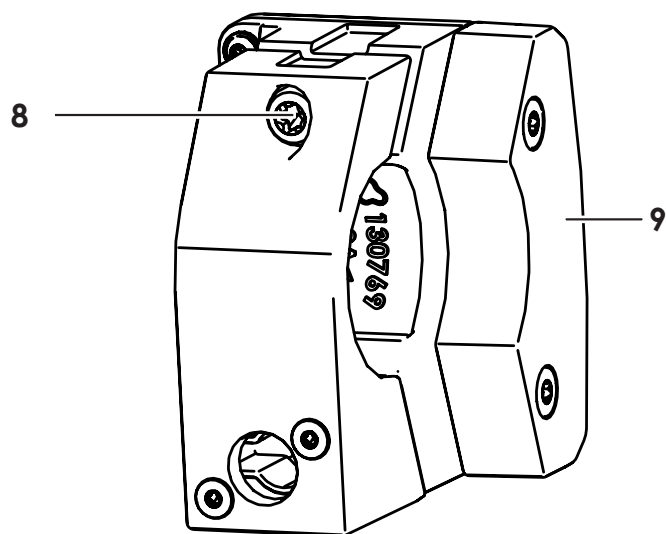
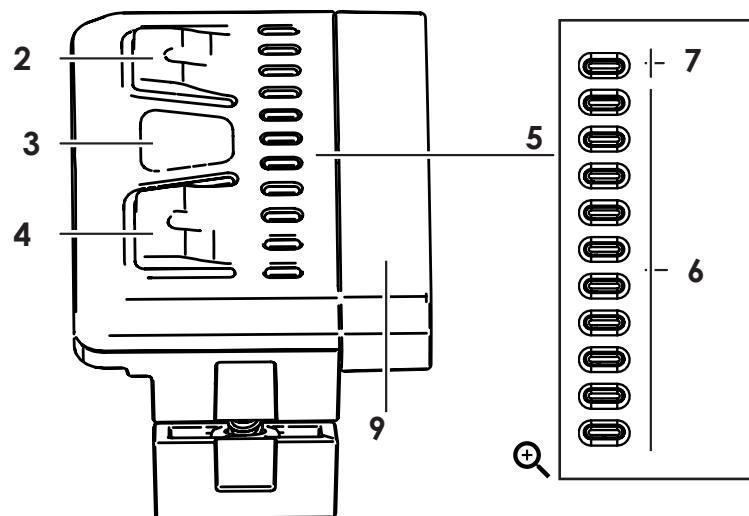
Smaltimento



Smaltire movimento centrale, unità motore, comando, batteria, caricabatteria, accessori e imballaggio in modo consono. Non gettare l'e-Bike e i vari componenti insieme ai normali rifiuti domestici.

Paesi UE: Sulla base della direttiva UE 2012/19/UE i dispositivi elettrici non funzionanti e sulla base della direttiva UE 2006/66/CE le batterie usate devono essere conservate separatamente e smaltite in modo consono alla protezione ambientale.

Comando 1



Descrizione e specifiche tecniche

Uso consentito

Il comando è progettato per controllare il sistema di propulsione FAZUA evation e per visualizzare alcuni dati della bicicletta. Il comando non deve essere utilizzato per altri scopi.

Caratteristiche

La numerazione si riferisce alle figure presenti all'inizio del manuale. Le figure mostrano i diversi componenti che fanno parte del comando. In base alla versione dell'eBike, le figure contenute nel manuale possono differire leggermente dai componenti reali.

1. Comando
2. Pulsante Sù
3. Pulsante Medio
4. Pulsante Giù
5. Barra display
6. Stato di carica/livello di assistenza
7. Indicatore
8. Vite di fissaggio
9. Porta add-on

Specifiche

Comando		
Codice articolo		01-2018-003
Temperatura di esercizio	°C	-20 ... +60
Temperatura di stoccaggio	°C	-20.. +60
Classe di protezione		IP 54
Peso, circa	kg	0,075

Funzionamento

Premesse

Per utilizzare il sistema di propulsione per eBike devono essere soddisfatte le seguenti premesse:

- La batteria è sufficientemente carica, è inserita e accesa (vedi **Istruzioni della batteria**).
- L'unità motore è montata nell'eBike.
- Il sensore di velocità è collegato in modo corretto al movimento centrale e il magnete è in posizione corretta (vedi **Istruzioni del movimento centrale**).

Accensione e spegnimento del sistema

Per **accendere** l'eBike premere un **qualsiasi pulsante del comando (2, 3, 4)**. Il **comando (1)** mostrerà una breve animazione di benvenuto e passerà alla modalità operativa.

Per **spegnere** l'eBike con il **comando (1)** premere e mantenere premuto il **pulsante centrale (3)** del **comando (1)** per 2 s.

Altre opzioni per spegnere l'eBike:

- Smontare l'unità motore dalla bicicletta (vedi **Istruzioni dell'unità motore**).
- Spegnere la batteria (vedi **Istruzioni della batteria**).
- Far entrare l'eBike in modalità inattiva (vedi **Istruzioni dell'unità motore**).

 **Nota!** Spegnere l'eBike quando la si parcheggia.

Display del comando

Il **display a barra (5)** del **comando (1)** è formato da 11 LED.

- Il LED superiore è l'**indicatore (7)** dello stato dell'eBike.
- I restanti 10 LED indicano lo **stato di carica e il livello di assistenza (6)**.

Stato di carica e livello di assistenza

Lo **stato di carica e livello di assistenza (6)** indicano 2 parametri:

- Lo stato di carica della batteria.
- Il livello di assistenza selezionato per l'eBike.

Lo stato di carica della batteria è indicato dal numero di LED accesi. Ogni LED rappresenta il 10% della carica totale. Quando la batteria è completamente carica, tutti i 10 LED sono accesi. Se la batteria è scarica, nessun LED sarà acceso.


Il livello di assistenza selezionato è indicato dal colore della **barra (6)**. La **barra (6)** utilizza 4 colori per indicare 4 diversi livelli di assistenza.

Indicatore

L'**indicatore (7)** mostra le notifiche di errore o gli eventi legati all'eBike che possono presentarsi. In assenza di errori, l'indicatore è spento.

I colori dell'**indicatore (7)** hanno i seguenti significati:

- **Verde:** L'**indicatore (7)** lampeggia brevemente di verde quando l'unità motore è montata nell'eBike. L'indicatore conferma che il sistema è pronto per essere acceso.
- **Giallo:** L'**indicatore (7)** si accende in giallo se viene individuato un "**Errore minore**". Questo indica la presenza di un errore temporaneo o di piccola entità con probabile riduzione delle prestazioni. L'utilizzo dell'eBike in presenza di un "**Errore minore**" è possibile ma non consigliato.
- **Rosso:** L'**indicatore (7)** si accende in rosso se viene individuato un "**Errore grave**". In presenza di un "**Errore grave**" l'eBike non funziona e deve essere portata all'Assistenza.

 **Nota!** La causa più comune di "**Errore minore**" nell'eBike è la mancanza di informazioni provenienti dal sensore di velocità (vedi **Istruzioni di montaggio del movimento centrale**).

In caso di "**Errore minore**" permanente, provare a rimontare il magnete del sensore di velocità (vedi **Istruzioni del movimento centrale**). Se il problema persiste, contattare il Service Partner FAZUA di fiducia o consultare la pagina Web di FAZUA dedicata all'assistenza (www.fazua.com/service).

Se un "**Errore grave**" persiste, contattare il Service Partner FAZUA di fiducia o consultare la pagina Web di FAZUA dedicata all'assistenza (www.fazua.com/service).

Impostazione del livello di assistenza

Sul **comando (1)** è possibile impostare il livello di assistenza che l'eBike deve offrire quando si pedala. Il livello di assistenza può essere impostato in qualunque momento, anche mentre si sta andando in bicicletta. Per cambiare il livello di assistenza, premere i **pulsanti su/giù (2,4)** presenti sul **comando (1)**.


Sono disponibili i seguenti livelli di assistenza:

- **Nessuna assistenza (bianco):** L'assistenza alla pedalata è disattivata. L'eBike può essere utilizzata come una normale bicicletta.
- **Brezza (verde):** Assistenza efficiente per massimizzare il range di utilizzo dell'eBike.
- **Fiume (blu):** Assistenza sostenuta adatta a molti scenari di utilizzo.
- **Razzo (rosa):** Assistenza massima per le uscite più impegnative.


Livello di assistenza	Colore	Fattore di assistenza max.	Potenza max.
Nessun supporto	Bianco	0%	0 W
Brezza	Verde	75%	125 W
Fiume	Blu	150%	250 W
Razzo	Rosa	240%	400 W

Accendere e spegnere la funzione di aiuto alla spinta

La funzione di aiuto alla spinta fornisce assistenza quando si deve spingere l'eBike. La velocità dell'eBike in modalità di aiuto alla spinta può variare in base alla marcia inserita. La velocità massima è di 6 km/h. L'utente può ridurre la velocità dell'eBike alla velocità di camminata tenendo in modo fermo l'eBike mentre cammina.

 **Attenzione! La modalità di aiuto alla spinta è consentita soltanto quando si sta spingendo l'eBike.** Si declina qualsiasi responsabilità per l'utilizzo improprio della modalità di aiuto alla spinta.

Per **attivare** la modalità di aiuto alla spinta, impostare il sistema con il comando sulla modalità "Nessuna assistenza" (vedi **Istruzioni del comando**). Quindi premere e tenere premuto il pulsante "Giù" sul comando. Dopo 2 s la modalità di aiuto alla spinta si attiva.

 **Attenzione! Tenere le mani in modo saldo sul manubrio dell'eBike quando si sta usando questa funzione. In caso contrario è possibile perdere temporaneamente il controllo dell'eBike.**

L'aiuto alla spinta è disattivo quando:

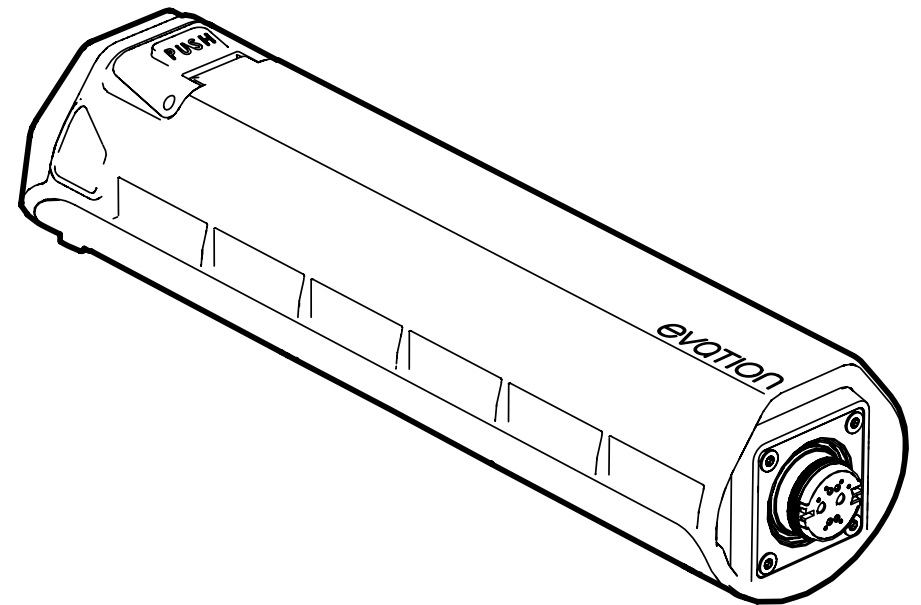
- Si rilascia il pulsante "Giù" (4).
- Le ruote della eBike sono bloccate.
- La velocità supera i 6 km/h.

Guida rapida Comando

Azione	Pulsante	Durata
Acceso	Qualsiasi	Qualsiasi
Spento	Centrale	2 s
Aumenta il livello di assistenza	Su	Qualsiasi
Riduce il livello di assistenza	Giù	Qualsiasi
Modalità di aiuto alla spinta attiva	1. (in modalità nessuna assistenza) 2. Giù	> 2 s

evation I.0

Batteria 7000
















Indicazioni di sicurezza

Importante! Leggere con attenzione le indicazioni di sicurezza e le istruzioni di tutti i componenti del sistema di propulsione e dell'eBike.

Importante! Leggere attentamente le indicazioni di sicurezza. Il non rispetto di queste indicazioni può provocare folgorazioni, incendi o lesioni gravi.

Conservare tutte le indicazioni di sicurezza e le istruzioni per consultazioni future.

-  **Prima di eseguire le operazioni di pulizia rimuovere la batteria dall'unità motore.** La presenza di umidità sui contatti dell'unità motore può danneggiare la batteria quando questa viene inserita.
-  **Non aprire la batteria.** Pericolo di esplosione. L'apertura della batteria comporta la decadenza della garanzia.
-  **Utilizzare la batteria solamente nelle eBike equipaggiate con un sistema di propulsione evation FAZUA originale.**
-  **Usare solo batterie evation approvate dal produttore dell'eBike.** L'utilizzo di batterie non approvate può causare lesioni e incendi. FAZUA declina ogni responsabilità per l'utilizzo di batterie non approvate.
-  **Per caricare la batteria utilizzare solo caricatori originali FAZUA.** FAZUA declina ogni responsabilità per danni causati dall'uso di caricatori non approvati.
-  **Tenere la batteria lontano da fonti di calore, fuoco e acqua.** Pericolo di esplosione.
-  **Proteggere la batteria da impatti meccanici e altri tipi di sollecitazioni.** Rischio di danni e di emissioni di fumi che possono irritare il sistema respiratorio. Areare il locale e consultare un medico se compaiono disturbi.
-  **Tenere lontano dalla batteria oggetti metallici come monete, graffette, viti ecc.** Possono provocare il collegamento dei terminali della batteria. Pericolo di incendio. I danni riconducibili a questa causa non sono coperti da garanzia.
-  **Tenere la batteria lontano da materiali infiammabili. Durante la carica la batteria deve essere asciutta e posizionata in un'area ignifuga.** Il calore prodotto durante la carica può generare degli incendi.
-  **Non lasciare la batteria incustodita durante la carica.**
-  **Non usare o caricare una batteria danneggiata.**
-  **Evitare il contatto con qualsiasi liquido che può fuoriuscire dalla batteria.** In caso di contatto con un liquido fuoriuscito dalla batteria risciacquare abbondantemente con acqua. Il contatto con un liquido può causare irritazioni e bruciate. In caso di contatto con gli occhi, rivolgersi a un medico.
-  **Tenere la batteria lontano dalla portata dei bambini.**

 **Tenere la batteria e il caricatore lontano dai portatori di pacemaker. I connettori magnetici possono disturbarne il funzionamento.**

Pulizia, manutenzione e assistenza

Tenere puliti tutti i componenti dell'eBike e del sistema di propulsione. Prestare particolare attenzione ai connettori e alle interfacce tra batteria e unità motore nonché tra unità motore e movimento centrale. Questi devono essere completamente asciutti prima di essere usati.

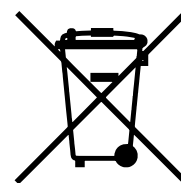
Per migliorarne il raffreddamento mantenere pulito il radiatore dell'unità motore. Lubrificare la serratura a distanza di qualche mese o quando il suo utilizzo risulta più difficile. Non immergere in acqua e non pulire con idropulitrice i componenti del sistema di propulsione. Pulire attentamente tutti i componenti del sistema di propulsione utilizzando un panno o una pennello morbido.

Per maggiori informazioni sul servizio di assistenza, contattare il Service Partner FAZUA di fiducia o consultare la pagina Web di FAZUA dedicata all'assistenza (www.fazua.com/service).

Trasporto

Le batterie sono soggette alle norme per beni pericolosi. Le batterie non danneggiate possono essere trasportate su strada da persone private. Per i trasporti commerciali, osservare la legislazione concernente l'imballaggio, l'identificazione e il trasporto di beni pericolosi. Coprire i morsetti aperti e impacchettare bene la batteria. Comunicare all'azienda di trasporti la natura del bene trasportato. Per qualsiasi domanda, contattare il Service Partner FAZUA di fiducia o consultare la pagina Web ufficiale di FAZUA dedicata all'assistenza (www.fazua.com/service).

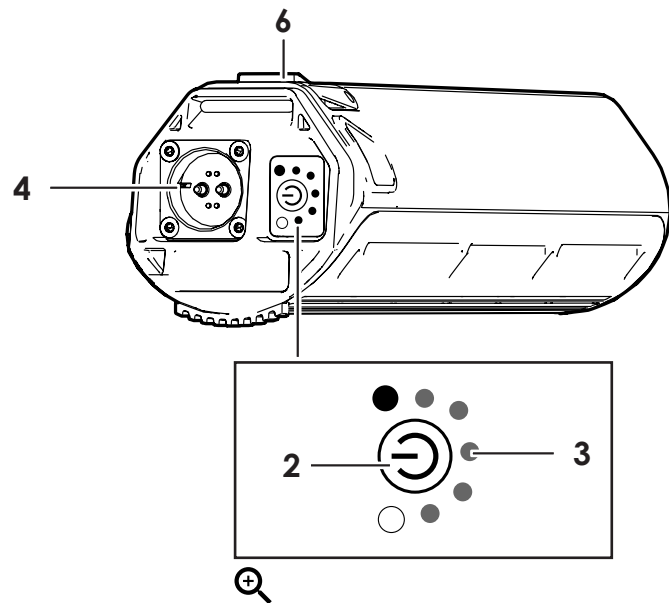
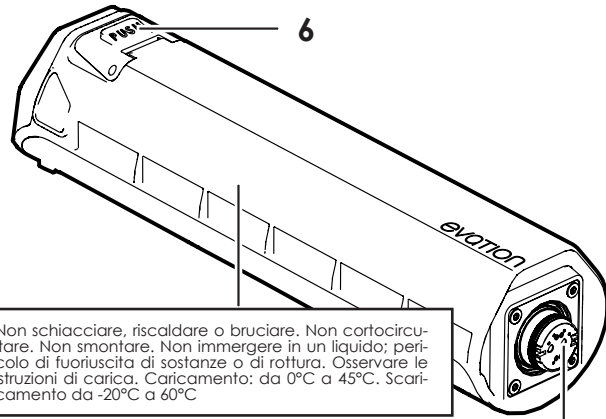
Smaltimento



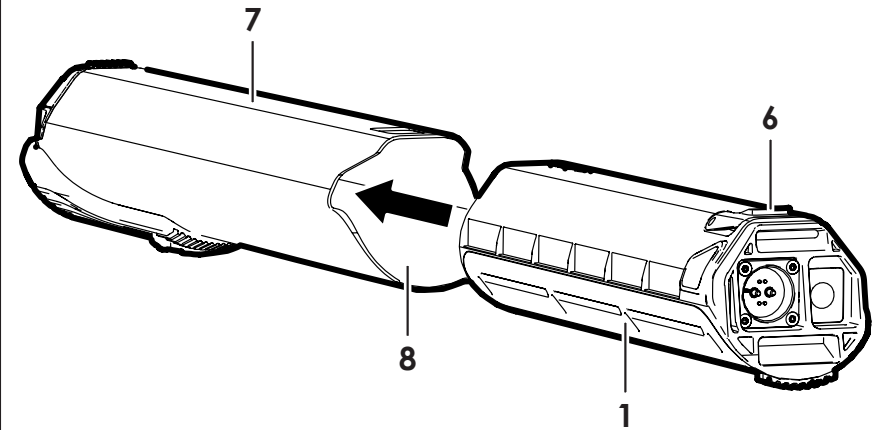
Smaltire movimento centrale, unità motore, comando, batteria, caricabatteria, accessori e imballaggio in modo consono. Non gettare l'e-Bike e i vari componenti insieme ai normali rifiuti domestici.

Paesi UE: I dispositivi elettrici non funzionanti (direttiva 2012/19/UE) e le batterie usate (direttiva UE 2006/66/CE) devono essere conservati separatamente e smaltiti in modo appropriato.

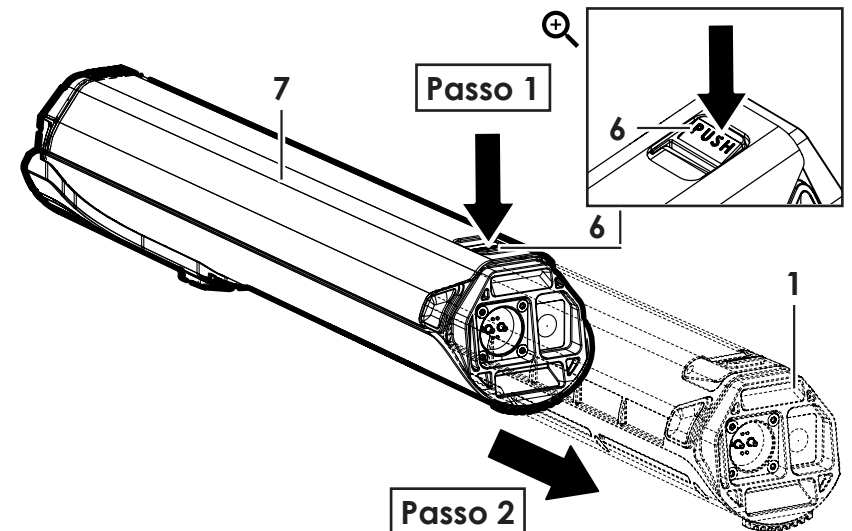
Batteria 1



Azione A



Azione B



Descrizione e specifiche tecniche

Caratteristiche

La numerazione si riferisce alle figure presenti all'inizio del manuale. Le figure mostrano i diversi componenti che fanno parte della batteria. In base alla versione dell'eBike, le figure contenute nel manuale possono differire leggermente dai componenti reali.

1. Batteria
2. Pulsante on/off
3. Indicatore di operatività e di carica
4. Presa per connettore di carica
5. Connettore per unità motore
6. Linguetta di fissaggio
7. Unità motore
8. Vano batteria


Specifiche


Batteria agli ioni di litio 7000		
Codice articolo		01-2018-004
Tensione nominale	V	36
Capacità nominale	Ah	7
Energia	Wh	252
Temperatura di esercizio	°C	-20 ... +60
Temperatura di stoccaggio	°C	-20 ... +60
Temperatura di scarica	°C	-20... +60
Temperatura di carica	°C	0 ... +45
Classe di protezione		IP 54
Peso, circa	kg	1,4

* Il superamento di questi limiti può comportare al deterioramento della potenza.

Montaggio

 **Attenzione!** Leggere attentamente e osservare le istruzioni della batteria (1).

 **Attenzione!** Prestare attenzione alle condizioni della batteria (1) prima di ogni uso e prima di caricarla. Tenere puliti i connettori e le superfici.

 **Attenzione!** Prima di usare o caricare la batteria (1), controllare la presenza di danni come crepe o bruciature. **Non usare o caricare una batteria (1) danneggiata.** Contattare il Service Partner FAZUA di fiducia o consultare la pagina Web di FAZUA dedicata all'assistenza (www.fazua.com/service).

Primo controllo della batteria

Controllare la **batteria (1)** prima di caricarla o di usarla per la prima volta.

Premere il pulsante **on/off (2)** sulla **batteria (1)**. Se tutti i LED dell'indicatore di carica (3) sono spenti, caricare completamente la batteria prima di utilizzarla. Se nessun LED dell'**indicatore di carica (3)** si accende, è possibile che la **batteria (1)** sia danneggiata.

Dopo il primo utilizzo, e prima di ogni altro uso, accendere sempre la **batteria (1)** usando il **pulsante on/off (2)**.

Caricamento della batteria

 **Importante!** Leggere attentamente le istruzioni del caricatore prima di utilizzarlo per la prima volta.

La **batteria (1)** può essere caricata in ogni momento da sola, all'interno dell'**unità motore (1)** o dell'eBike (vedi **Istruzioni di montaggio dell'unità motore**). Il processo di carica può essere interrotto in qualsiasi momento.

Per garantire la massima capacità della **batteria (1)**, caricare la **batteria (1)** in modo completo la prima volta che la si carica.

Quando si trova al di fuori della temperatura di carica, la **batteria (1)** non viene caricata anche se il caricatore è connesso. Prima di iniziare la carica, la temperatura dovrà rientrare in questi limiti.

Indicatore di controllo carica

Quando la **batteria (1)** viene accesa, sull'**indicatore di carica (3)** viene visualizzata l'animazione di benvenuto. Dopodiché i LED indicano brevemente lo **stato di carica (3)** della **batteria (1)**.

Quando la **batteria (1)** è accesa, lo stato di carica può essere visualizzato premendo brevemente il **pulsante on/off (2)**.

Ogni LED corrisponde al 20% di capacità della batteria. Quando la carica è completa tutti e cinque i LED sono accesi. Tuttavia, quando la batteria è vuota, solo l'ultimo LED si accende in modo intermittente. Lo stato di carica della **batteria (1)** viene indicato anche sul comando (vedi **Istruzioni del comando**).

Inserimento/Rimozione della batteria

⚠ Attenzione! La batteria (1) e l'unità motore (7) devono essere pulite; in caso contrario la frizione causata dallo sporco potrebbe rendere questa operazione difficile.

Per inserire la **batteria (1)** nell'**unità motore (7)**, tenere l'**unità motore (7)** in una mano e la **batteria (1)** nell'altra. Fare in modo che il connettore per l'**unità motore (5)** sia rivolto verso il **vano batteria (8)**. Unire le due parti e infilare con attenzione la **batteria (1)** dentro il **vano batteria (8)** dell'**unità motore (7)** (**Azione A**). Dopo averla inserita completamente, la **batteria (1)** viene bloccata automaticamente dalla **linguetta di fissaggio (6)**.

Per rimuovere la **batteria (1)** dall'**unità motore (7)**, premere la **linguetta di fissaggio (6)** e contemporaneamente estrarre la **batteria (1)** dal **vano batteria (8)** (**Azione B**).

Funzionamento

ⓘ Nota! La batteria (1) è protetta da cortocircuito, surriscaldamento, sovraccarica e scaricamento totale. La protezione può spegnere automaticamente la **batteria (1)** in caso di rischio.

Accensione/Spegnimento della batteria

La **batteria (1)** può essere accesa e spenta indipendentemente dal fatto di essere inserita o meno nell'**unità motore (7)**.

Per **accendere** la **batteria (1)**, premere il **pulsante on/off (2)**. I LED dell'**indicatore di carica (3)** visualizzeranno un'animazione di benvenuto e poi brevemente lo stato di carica.

Per **spegnere** la **batteria (1)**, premere e mantenere premuto per 2 s il **pulsante on/off (2)**. I LED dell'**indicatore di carica (3)** visualizzeranno un'animazione di chiusura e la **batteria (1)** verrà spenta.

Se la bicicletta è inattiva, la **batteria (1)** si spegne per evitare che si scarichi (vedi **Istruzioni dell'inattività dell'unità motore**). Allo stesso modo, se trascorrono più di 12 h senza che la **batteria (1)** venga inserita in un'**unità motore (7)**, collegata ad un caricatore o senza che venga premuto un pulsante, la batteria si spegne per evitare che si scarichi.

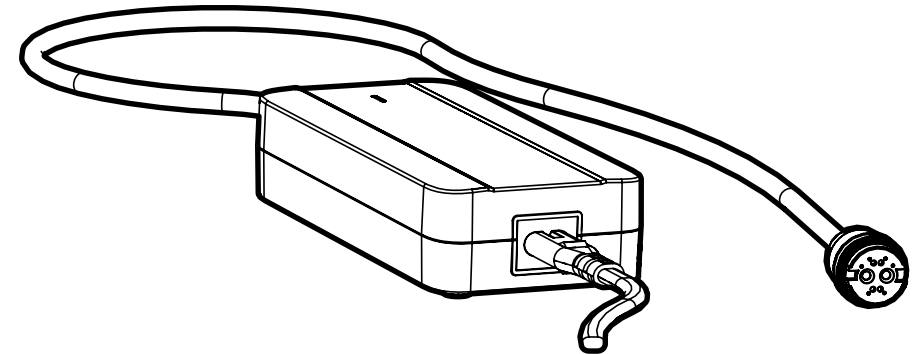
Consigli per la batteria

Nota! Immagazzinare la **batteria (1)** scarica per un lungo periodo di tempo può danneggiarla gravemente o ridurne notevolmente la capacità.


- Prendendosi cura della **batteria (1)** è possibile prolungarne il ciclo di vita. Rispettare le temperature di utilizzo e di stoccaggio.
- Non lasciare la **batteria (1)** sempre collegata al caricatore.
- Caricare la **batteria (1)** fino al 60% di carica prima di lasciarla inutilizzata per un lungo periodo. Controllare la **batteria (1)** dopo 6 mesi e riportare la carica al 60% qualora il valore sia sceso al di sotto del 20%.
- Intervallo di stoccaggio con stato di carica al 60%:
 - 1 mese: -20~60°C
 - 3 mesi: -20~45°C
 - 1 anno: -20~25°C
- Immagazzinare la **batteria (1)** in un luogo secco e ben ventilato. La temperatura ideale è compresa tra +5°C e +20°C.
- Se le condizioni atmosferiche sono sfavorevoli, rimuovere l'**unità motore (7)** e la **batteria (1)** dall'eBike e riporle al chiuso fino al prossimo utilizzo.
- Si sconsiglia di conservare la batteria (1) nell'eBike.

evATION I.0

Caricatore














Indicazioni di sicurezza

Importante! Leggere con attenzione le indicazioni di sicurezza  e le istruzioni di tutti i componenti del sistema di propulsione e dell'eBike.

Importante! Leggere attentamente le indicazioni di sicurezza. Il non rispetto di queste indicazioni può provocare folgorazioni, incendi o lesioni gravi.

Conservare tutte le indicazioni di sicurezza e le istruzioni per consultazioni future.

-  **Tenere lontano il caricatore da acqua e umidità.** Pericolo di scosse elettriche.
-  **Caricare solo batterie evation approvate dal produttore dell'eBike.** Pericolo di incendio e esplosione.
-  **Non aprire il caricatore.** Può essere aperto solo da personale qualificato e riparato utilizzando pezzi di ricambio originali.
-  **Prima di ogni uso, controllare il caricatore, il cavo e la spina. Non usarlo se sono stati riscontrati dei danni.** Elevato pericolo di folgorazione.
-  **Tenere pulito il caricatore.** La presenza di sporco sul caricatore aumenta la possibilità di scosse elettriche.
-  **Tenere il caricatore e la batteria lontano da materiali infiammabili. Durante la carica il caricatore e la batteria devono essere asciutti e posizionati in un'area ignifuga.** Il calore prodotto durante la carica può generare degli incendi.
-  **Attenzione a toccare il caricatore durante o al termine della procedura di carica.** Il caricatore può raggiungere temperature elevate.
-  **Non lasciare il caricatore incustodito durante la carica.**
-  **Supervisionare le persone non in grado di utilizzare il caricatore in modo sicuro.**
-  **Tenere il caricatore lontano dalla portata dei bambini.**
-  **Da una batteria danneggiata possono fuoriuscire dei fumi.** Areare il locale e consultare un medico se compaiono disturbi.

 **Tenere la batteria e il caricatore lontano dai portatori di pacemaker. I connettori magnetici possono disturbarne il funzionamento.**

Pulizia, manutenzione e assistenza

Tenere puliti tutti i componenti dell'eBike e del sistema di propulsione. Prestare particolare attenzione ai connettori e alle interfacce tra batteria e unità motore nonché tra unità motore e movimento centrale. Questi devono essere completamente asciutti prima di essere usati.

Per migliorarne il raffreddamento mantenere pulito il radiatore dell'unità motore. Lubrificare la serratura a distanza di qualche mese o quando il suo utilizzo risulta più difficile. Non immergere in acqua e non pulire con idropulitrice i componenti del sistema di propulsione. Pulire attentamente tutti i componenti del sistema di propulsione utilizzando un panno o una pennello morbido.

Per maggiori informazioni sul servizio di assistenza, contattare il Service Partner FAZUA di fiducia o consultare la pagina Web di FAZUA dedicata all'assistenza (www.fazua.com/service).

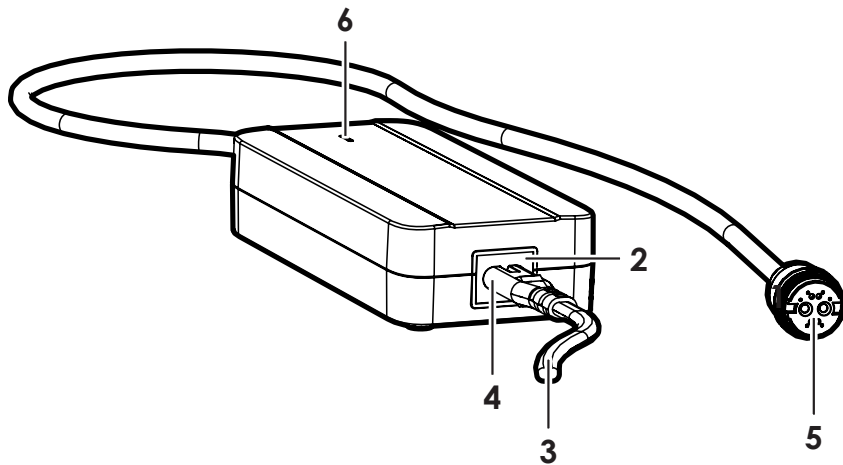
Smaltimento



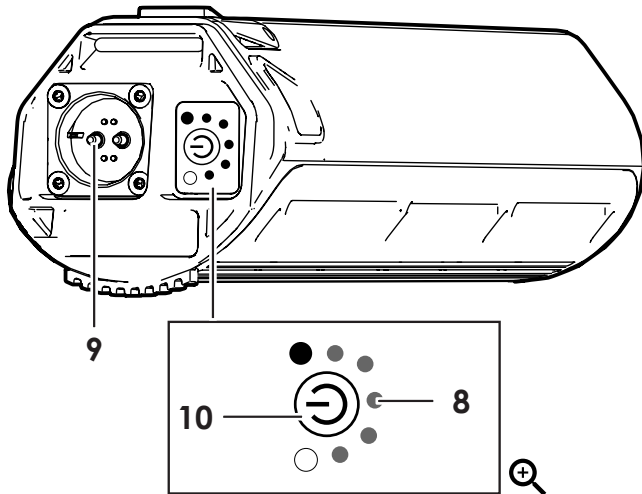
Smaltire movimento centrale, unità motore, comando, batteria, caricabatteria, accessori e imballaggio in modo consono. Non gettare l'e-Bike e i componenti insieme ai normali rifiuti domestici.

Paesi UE: I dispositivi elettrici non funzionanti (direttiva 2012/19/UE) e le batterie usate (direttiva 2006/66/CE) devono essere conservate separatamente e smaltite in modo appropriato.

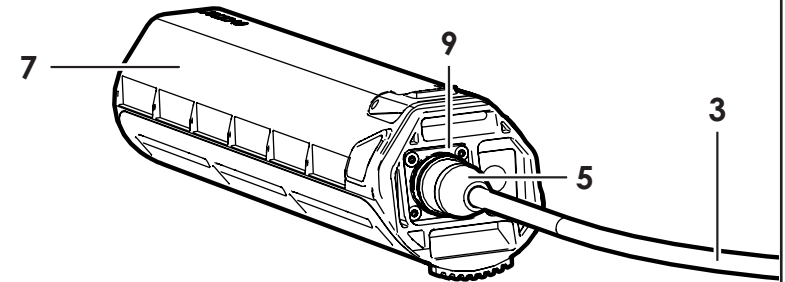
Caricatore 1



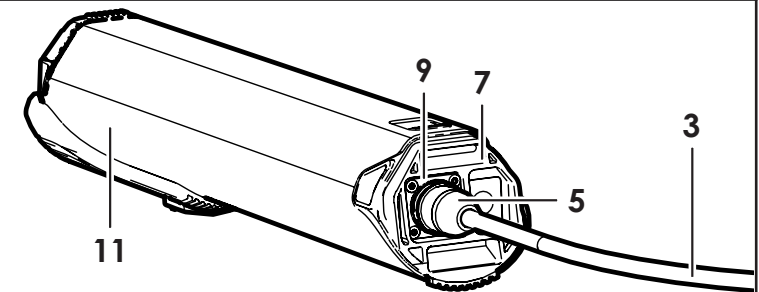
Batteria 7



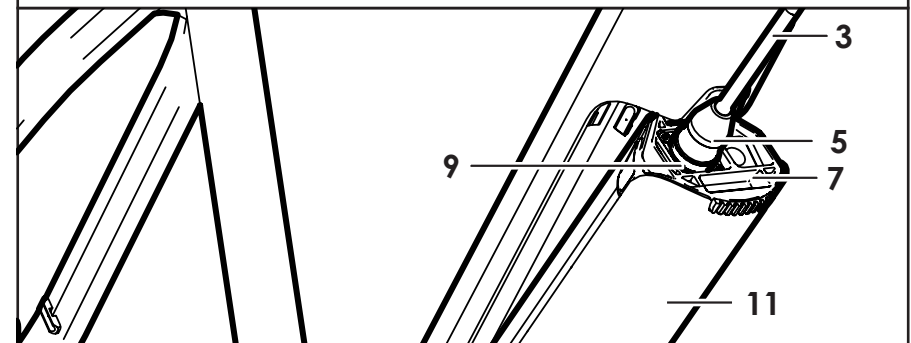
Azione A



Azione B



Azione C



Descrizione e specifiche tecniche

Caratteristiche

La numerazione si riferisce alle figure presenti all'inizio del manuale. Le figure mostrano i diversi componenti del caricatore e degli altri moduli FAZUA. In base alla versione dell'eBike, le figure contenute nel manuale possono differire leggermente dai componenti reali.

1. Caricatore
2. Presa alimentazione
3. Cavo alimentazione
4. Spina alimentazione
5. Connettore di carica
6. Indicatore LED caricatore
7. Batteria
8. Indicatore di controllo carica
9. Presa per connettore di carica
10. Pulsante on/off
11. Unità motore

Specifiche

Batteria agli ioni di litio 7000		
Codice articolo		01-2018-005
Tensione nominale in ingresso	V AC	100 ... 240
Frequenza	Hz	50 ... 60
Tensione in uscita	V DC	42
Corrente di carica	A	2
Tempo di carica (circa)	h	3,5
Temperatura di esercizio	°C	-20 ... +60
Temperatura di stoccaggio	°C	-20 ... +60
Classe di protezione		IP 54
Peso, circa	kg	0,6

Funzionamento

⚠ Attenzione! Controllare il voltaggio massimo. Il **caricatore (1)** deve essere alimentato con un voltaggio compreso tra i valori definiti nelle specifiche tecniche.

⚠ Attenzione! Leggere attentamente le indicazioni contenute nelle istruzioni della batteria e osservarle. **Attenzione!** Prestare attenzione alle condizioni della batteria prima di ogni uso e prima di caricarla. Tenere puliti i connettori e le superfici.

⚠ Attenzione! Prima di usare o caricare la batteria, controllare la presenza di segni di danni come crepe o bruciacature. **Non usare o caricare una batteria danneggiata.** Contattare il Service Partner FAZUA di fiducia o consultare la pagina Web di FAZUA dedicata all'assistenza (www.fazua.com/service).

Collegamento del caricatore all'alimentazione

Collegare la **spina (4)** del **cavo di alimentazione (3)** alla **presa (2)** del **caricatore (1)**. Quindi inserire il cavo di alimentazione (diverso in base al paese) alla presa di corrente.

📄 Nota! Caricare la **batteria (7)** solo se vengono rispettate tutte le avvertenze di sicurezza. In caso contrario, fermarsi e osservare tutte le avvertenze di sicurezza prima di iniziare la procedura di carica.

Collegamento del caricatore ad una batteria non inserita

Collegare il **connettore di carica (5)** del **caricatore (1)** alla **presa di carica (9)** della **batteria (7)** (**Azione A**).

Collegamento del caricatore ad una batteria inserita nell'unità motore

La **batteria (7)** può essere ricaricata indipendentemente dall'essere inserita o meno in un'**unità motore (11)** (vedi **Istruzioni dell'unità motore**).

Collegare il **connettore di carica (5)** del **caricatore (1)** nella **presa di carica (9)** della **batteria (7)** inserita nell'**unità motore (11)** (**Azione B**).

Collegamento del caricatore ad una batteria sull'eBike

È possibile caricare la **batteria (7)** quando questa è montata su un'eBike.

Per prima cosa, impostare l'**unità motore (11)** in posizione di carica sull'eBike (vedi **Istruzioni di montaggio dell'unità motore**).

Collegare il **connettore di carica (5)** del **caricatore (1)** nella **presa di carica (9)** della **batteria (7)** inserita nell'eBike (**Azione C**).

Procedura di carica

La carica inizia non appena il **connettore di carica (5)** del **caricatore (1)** è inserito nella **presa di carica (9)** della **batteria (7)**.

Lo stato di carica viene visualizzato nell'**indicatore di carica (8)** della **batteria (7)**. I LED dell'**indicatore di carica (8)** si accenderanno in base allo stato di carica attuale. Ogni LED rappresenta il 20% della capacità, quindi la carica completa è segnalata dall'accensione di tutti i 5 LED.

Quando la **batteria (7)** è completamente carica, i LED dell'**indicatore di carica (8)** si spengono. Lo stato di carica può essere controllato premendo brevemente il **pulsante on/off (10)** della **batteria (7)**.

Al termine del processo di carica, scollegare il **caricatore (1)** dall'alimentazione e la **batteria (7)** dal **caricatore (1)**.

evATION I.0

Garanzia del produttore

 FAZUA

Garanzia del produttore

FAZUA GmbH, Hofmannstr. 61, 81379 Monaco di Baviera (di seguito "Produttore") garantisce al cliente finale (di seguito "Cliente"), sulla base delle seguenti condizioni, che il sistema di propulsione e i relativi componenti (di seguito "Prodotto") integrati nella bicicletta acquistata dal Cliente all'interno dell'Unione Europea (al 1 gennaio 2017) e in Svizzera (di seguito "Paesi di validità"), sono privi di difetti di costruzione, di vizi del materiale o di lavorazione e che sono in grado di funzionare correttamente per un periodo di due anni a decorrere dalla data di consegna (Termine di garanzia).

Qualora tuttavia si dovesse verificare un guasto o il sistema di propulsione non dovesse funzionare correttamente, il produttore si impegna a riparare il sistema a proprie spese o a sostituirlo con componenti nuovi o revisionati.

Restano invariati i diritti del cliente derivanti dai difetti indicati nella legge 437 del C.C. tedesco. Tali diritti non vengono limitati dalle presenti condizioni di garanzia.

I diritti di rivalsa posti in essere dalle presenti condizioni di garanzia si applicano tuttavia solo se

- il prodotto non mostra danni o usura dovuti ad un utilizzo diverso da quello consentito o ad un utilizzo diverso da quanto indicato dal produttore nel manuale di istruzioni,
- il prodotto non presenta caratteristiche che facciano supporre che sia stato sottoposto a interventi di riparazione o altri tipi di intervento da tecnici non autorizzati dal produttore, e
- il codice di fabbricazione non è stato rimosso o reso illeggibile.

Affinché il cliente possa avvalersi dei presenti diritti di garanzia, prima di inviare il prodotto dovrà aver contattato il rivenditore dal quale ha acquistato la bicicletta o il produttore, dando loro la possibilità di eseguire, entro un periodo di otto giorni, un'analisi telefonica del problema.

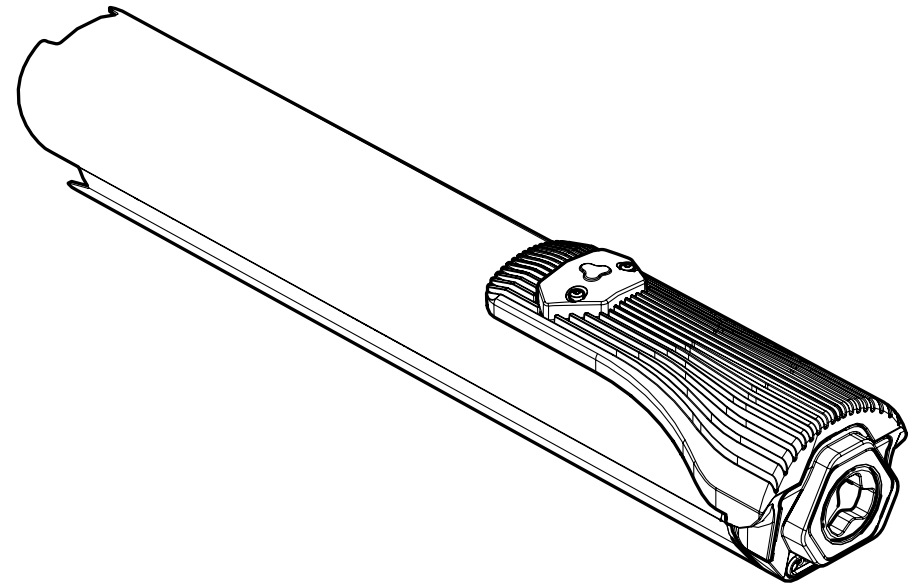
È possibile avvalersi dei diritti stabiliti in queste condizioni di garanzia soltanto consegnando o inviando il prodotto al produttore. Per poter avvalersi dei diritti di garanzia è inoltre necessario presentare la fattura originale riportante la data di acquisto. I costi di spedizione del prodotto sono a carico del produttore. Se il cliente si avvale di un'azienda di spedizioni diversa da quella indicata dal produttore o dal rivenditore, il cliente è tenuto a sostenere gli eventuali costi addizionali.

Questa garanzia trova applicazione anche qualora il prodotto venga ceduto secondo quanto indicato precedentemente e alle premesse di cui sopra, compreso l'obbligo di presentazione della fattura originale, per ogni futuro proprietario del prodotto residente nei paesi di validità di questa garanzia.

La presente garanzia è soggetta al diritto della Repubblica di Germania se e nella misura in cui non sia in contraddizione con le normative sulla tutela dei consumatori del paese del cliente.

evATION 1.0


Aandrijfsysteem 25 km/h



NL Handleiding









 FAZUA

Veiligheidsvoorschriften

! **Belangrijk!** Lees zorgvuldig de veiligheidswaarschuwingen  en -voorschriften voor alle onderdelen van het aandrijfsysteem en uw eBike.

! **Belangrijk!** Lees de veiligheidsvoorschriften **aandachtig**. Het niet opvolgen van veiligheidsvoorschriften kan elektrische schokken, brand of ernstige verwondingen veroorzaken.

Bewaar alle veiligheidswaarschuwingen en -aanwijzingen voor toekomstig gebruik

-  **Open het aandrijfsysteem niet zelf.** Het aandrijfsysteem is onderhoudsvrij. Het mag alleen worden geopend door bevoegde deskundigen en worden gerepareerd met originele reserveonderdelen. Als een systeem door onbevoegden wordt geopend, vervalt de garantie.
-  **Alle onderdelen van het aandrijfsysteem en de eBike mogen alleen worden vervangen door identieke of uitdrukkelijk door de fabrikant van uw eBike goedgekeurde componenten.** Dit voorkomt beschadiging van uw aandrijfsysteem.
-  **Verander niets aan het aandrijfsysteem en voeg geen andere niet-goedgekeurde producten toe om de prestaties te verbeteren.**
-  **Verwijder altijd het aandrijfsysteem van de eBike voordat u eraan gaat werken en vóór transport of opslag.** Per ongeluk activeren kan ongelukken veroorzaken.
-  **Wees voorzichtig als u de radiator van uw aandrijfsysteem aanraakt.** De radiator kan flink warm worden en brandwonden veroorzaken.
-  **De loopondersteuning mag alleen worden gebruikt bij het duwen van de eBike.** Er is kans op verwondingen als de wielen geen contact hebben met de grond bij gebruik van deze functie.
-  **Gebruik uitsluitend originele Evation accu's die zijn goedgekeurd door de eBike-fabrikant.** Gebruik van niet-goedgekeurde accu's kan verwonding of brand veroorzaken. FAZUA aanvaardt geen aansprakelijkheid voor het gebruik van niet-goedgekeurde accu's.
-  **Houd u aan alle nationale voorschriften betreffende eBikes en pedelecs.**

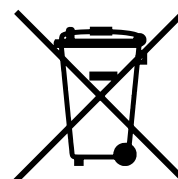
Reinigen, onderhoud en reparatie

Houd alle componenten van uw eBike en het aandrijfsysteem schoon. Let vooral op de pennen en koppelingen tussen de accu en het aandrijfsysteem evenals tussen de accu en het trapashuis. Zorg dat ze goed droog zijn voor elk gebruik.

Door de radiator van het aandrijfsysteem schoon te houden, verbetert u de koeling. Smeer uw slot elke paar maanden of als het stroever begint te gaan na verloop van tijd. Geen enkel onderdeel van het aandrijfsysteem mag worden ondergedompeld of gereinigd met een hogedrukspray. Reinig alle onderdelen van het aandrijfsysteem zorgvuldig met een doek of een zachte borstel.

Neem voor meer informatie over het onderhoud van uw aandrijfsysteem contact op met uw FAZUA Servicepartner of ga naar het FAZUA Service Platform (www.fazua.com/service).

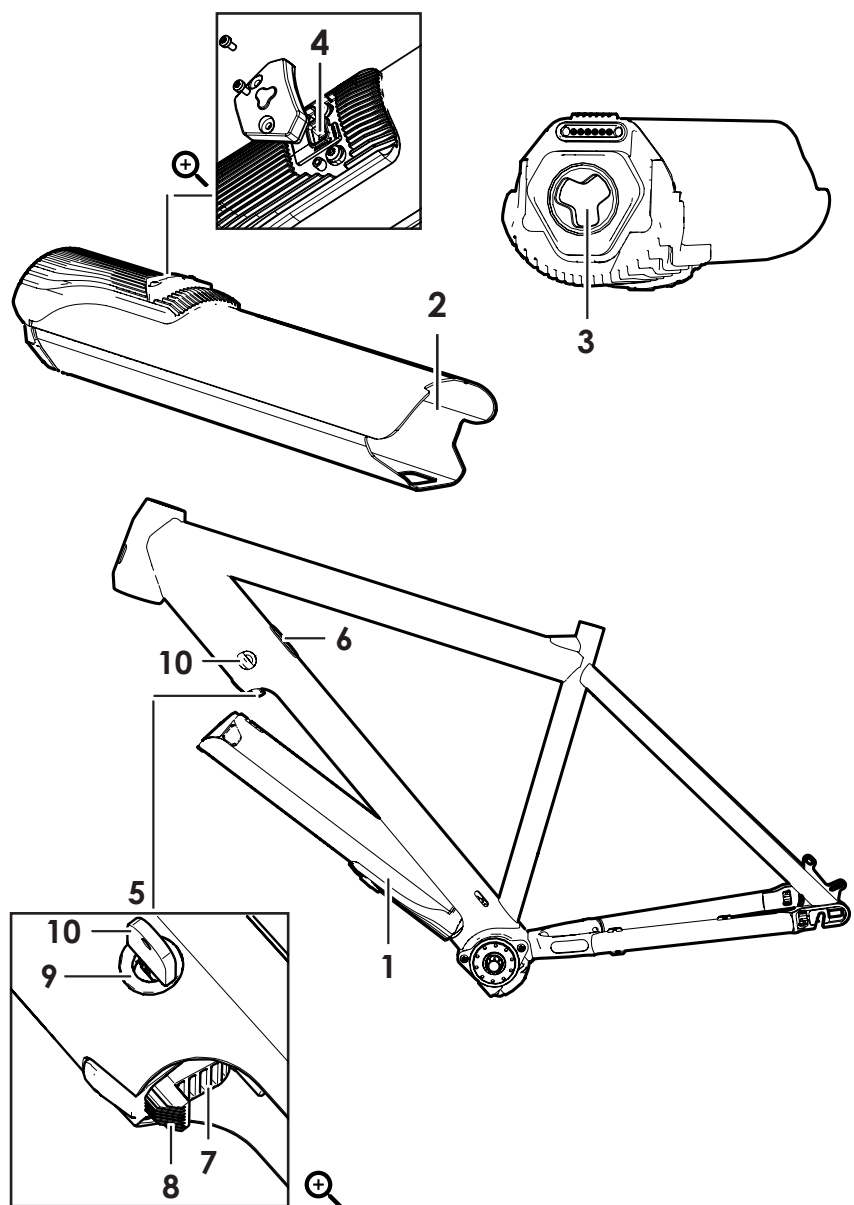
Afvoer na gebruik



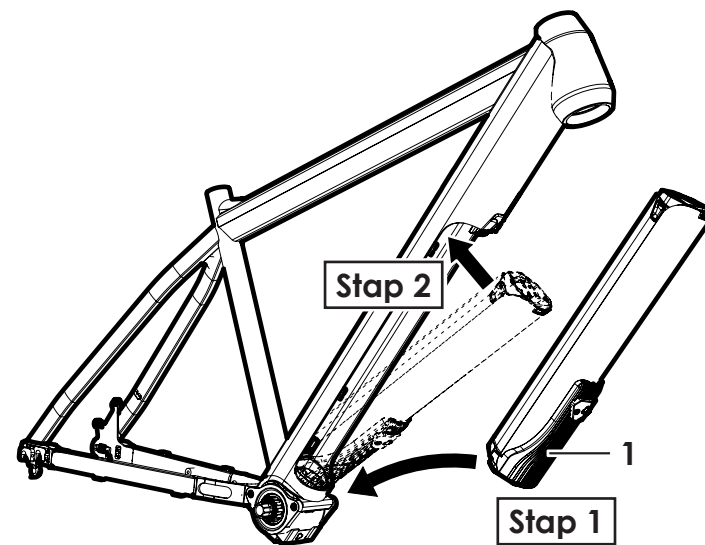
Trapashuis, aandrijfsysteem, afstandsbediening, lader, accessoires en verpakking dienen te worden afgevoerd volgens de milieuvoorschriften. Deponeer e-Bikes en onderdelen niet bij het huishoudelijk afval.

Alleen voor EU-landen: Volgens EU-richtlijn 2012/19/EU en EU-richtlijn 2006/66/EG moeten defecte elektrische apparaten en gebruikte batterijen worden opgeslagen en afgevoerd volgens de milieuvoorschriften.

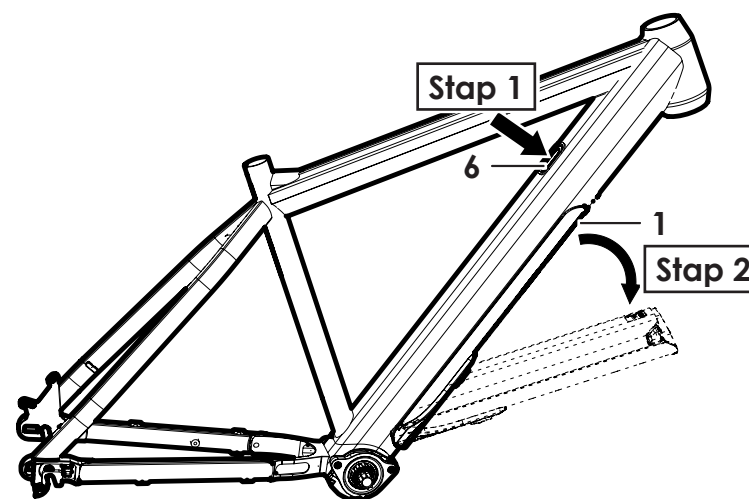
Aandrijfsysteem 1

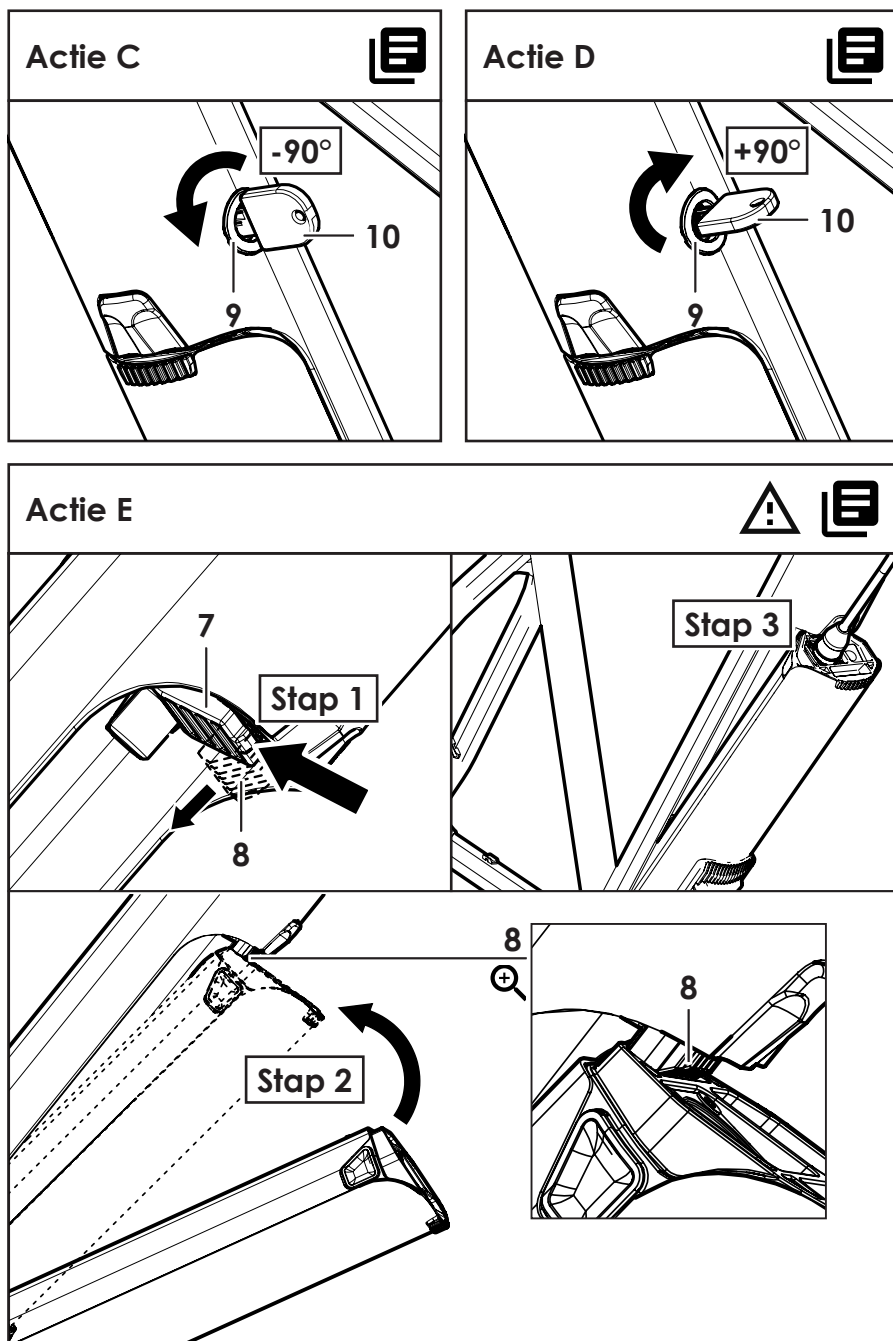


Actie A



Actie B





Omschrijving en Specificaties

Doel

Het aandrijfsysteem is uitsluitend bestemd voor het aandrijven van uw eBike en mag voor geen enkel ander doel worden gebruikt.

Kenmerken

De nummers verwijzen naar de afbeeldingen voorin de handleiding. De afbeelding laten de verschillende onderdelen zien van het aandrijfsysteem en andere FAZUA-modules. Sommige afbeeldingen in de handleiding kunnen enigszins afwijken van de werkelijke onderdelen, afhankelijk van de uitrusting van uw eBike.

1. Aandrijfsysteem
2. Accuhouder
3. Koppeling met trapashuis
4. USB-aansluiting
5. Slot aandrijfsysteem
6. Ontgrendelknop
7. Druknok
8. Bevestigingshaak
9. Slotcilinder
10. Sleutel

Specificaties

Aandrijfsysteem		
Artikelnummer		01-2018-001
Nominaal continu vermogen	W	250
Max. Vermogen	W	400
Koppel op ketting, max.	Nm	60
Nominale spanning	V	36
Bedrijfstemperatuur	°C	-20 ... +60
Opslagtemperatuur	°C	-20 ... +60
Beschermingsklasse		IP 54
Gewicht, ongeveer	kg	2

Montage

Plaatsen/verwijderen van de accu

Voor het plaatsen/verwijderen van de accu volgt u de **accu-handleiding**.

Het aandrijfsysteem in de eBike plaatsen

Als de accu in het **aandrijfsysteem (1)** is geplaatst (zie de **Accu-handleiding**), legt u de **koppeling met het trapashuis (3)** op de open koppeling met uw trapashuis (**Actie A, Stap 1**) recht onder de verticale buis van uw eBike.

Duw vervolgens het bovenste deel van het **aandrijfsysteem (1)** in de verticale buis tot de **bevestigingshaak (8)** inklikt (**Actie A, Stap 2**). Controleer dat het **aandrijfsysteem (1)** stevig is bevestigd in de verticale buis en niet naar buiten komt.

Het aandrijfsysteem van de eBike verwijderen

! **Belangrijk!** Zorg dat u het **aandrijfsysteem (1)** vasthoudt bij het verwijderen, anders kan het **aandrijfsysteem (1)** uit het frame vallen.

Houd het **aandrijfsysteem (1)** met één hand vast en druk met de andere hand op de **ontgrendelknop (6)** (**Actie B, Stap 1**). U kunt u het **aandrijfsysteem (1)** eenvoudig verwijderen (**Actie B, Stap 2**).

▢ **NB!** Soms kan het verwijderen makkelijker gaan door het **aandrijfsysteem (1)** omhoog tegen het frame te duwen voordat u op de **ontgrendelknop (6)** drukt.

Het aandrijfsysteem in uw eBike vergrendelen/ontgrendelen

Als een **aandrijfsysteem (1)** in de eBike is geplaatst, kan het worden vergrendeld zodat het **aandrijfsysteem (1)** niet kan worden verwijderd. **Vergrendel** een geplaatst **aandrijfsysteem (1)** door de **sleutel (10)** in de **cilinder (9)** te steken en hem **linksom (Actie C)** te draaien.

Ontgrendel het **aandrijfsysteem (1)** van de eBike door de **sleutel (10)** in de **cilinder (9)** te steken en hem **rechtsom (Actie D)** te draaien.

De accu opladen in uw eBike

⚠ **Waarschuwing!** Lees de **accu-handleiding** zorgvuldig en volg de **aanwijzingen op**. **Waarschuwing!** Controleer uw accu voor elk gebruik en voor het opladen. Zorg dat de **contactpunten en oppervlakken schoon zijn**.

⚠ **Waarschuwing!** Let voor het opladen van uw accu **altijd op tekenen van schade zoals scheurtjes of brandplekken**. Een **beschadigde accu mag nooit worden geladen of gebruikt**. Neem contact op met uw FAZUA Servicepartner of ga naar het FAZUA Service Platform (www.fazua.com/service).

Het **aandrijfsysteem (1)** kan in de eBike blijven terwijl de oplaadaansluiting van de accu bereikbaar blijft zodat de lader kan worden aangesloten. Verwijder daarvoor het **aandrijfsysteem (1)** uit de eBike (**Actie B**). Druk de **drukknop (7)** omhoog bij het **slot (5)** zodat de **bevestigingshaak (8)** naar buiten komt (**Actie E, Stap 1**). Plaats nu het **aandrijfsysteem (1)** terug in de eBike zonder het bovenste deel helemaal naar binnen te duwen (**Actie E, Stap 2**). Op die manier houdt de **bevestigingshaak (8)** het **aandrijfsysteem (1)** vast zonder dat het helemaal naar binnen is geduwd.

Bedrijf

Vereisten

Voor gebruik van het eBike-aandrijfsysteem moet aan de volgende eisen zijn voldaan.

- De accu moet voldoende zijn geladen, geplaatst en ingeschakeld (zie de **Accu-handleiding**).
- Het **aandrijfsysteem (1)** is in de eBike geplaatst.
- De snelheidssensor is op de juiste manier aangesloten op het trapashuis en de spaakmagneet is correct geplaatst (zie de **trapashuis-handleiding**).

Het eBike-systeem aan- en uitschakelen

Het systeem kan worden bediend met een door FAZUA goedgekeurde afstandsbediening. Als het **aandrijfsysteem (1)** in de eBike is geplaatst, kan het systeem worden **ingeschakeld** door het eenvoudig indrukken van een van de knoppen op de afstandsbediening (zie de **afstandsbediening-handleiding**).

Het uitgangsvermogen van het systeem is afhankelijk van de ondersteuningsinstellingen op de afstandsbediening.

Als u stopt met trappen of als een snelheid van 25 km/h wordt bereikt, wordt de ondersteuning van het aandrijfsysteem geleidelijk uitgeschakeld. Het systeem schakelt weer in als u begint te trappen en de snelheid lager is dan 25 km/h.

Er zijn verschillende manieren voor het **uitschakelen** van het systeem.

- Houd de middelste knop van de afstandsbediening ingedrukt gedurende 2 seconden (zie de **afstandsbediening-handleiding**).
- Neem het **aandrijfsysteem (1)** uit de fiets.
- Schakel de accu uit (zie de **accu-handleiding**).
- Laat de eBike inactief worden.

Het ondersteuningsniveau instellen

Met de afstandsbediening kunt u de mate van ondersteuning door het eBike-systeem tijdens het trappen instellen. Het ondersteuningsniveau kan op elk moment worden ingesteld, ook tijdens het fietsen. Om het ondersteuningsniveau te veranderen drukt u op de knoppen op/neeer op de afstandsbediening (zie de **afstandsbediening-handleiding**).

De volgende ondersteuningsniveaus zijn beschikbaar.

- **Geen ondersteuning (wit)**: De motorondersteuning is uitgeschakeld. U kunt de eBike gebruiken als een normale fiets.
- **Bries (groen)**: Beperkte maar efficiënte ondersteuning voor maximaal bereik van de eBike.
- **Rivier (blauw)**: Stevige ondersteuning die geschikt is voor de meeste gebruiksomstandigheden.
- **Raket (paars)**: Maximale ondersteuning voor het zware werk.

Ondersteuningsniveau	Kleur	Max. Ondersteuningsfactor	Max. Vermogen
Geen ondersteuning	Wit	0%	0 W
Bries	Groen	75%	125 W
Rivier	Blauw	150%	250 W
Raket	Pink	240%	400 W

De loopondersteuning aan – en uitschakelen

De loopondersteuning helpt u de eBike te duwen. De snelheid van de eBike met ingeschakelde loopondersteuning is afhankelijk van de ingestelde versnelling, met een maximum van 6 km/h. De gebruiker kan de snelheid van de eBike aanpassen door de fiets stevig vast te houden tijdens het lopen.



Waarschuwing! De loopondersteuning is uitsluitend bedoeld voor gebruik terwijl de eBike wordt geduwd. Onjuist gebruik van de loopondersteuning kan ongelukken veroorzaken.

Om de loopondersteuning te **activeren** stelt u het systeem in op "geen ondersteuning" op de afstandsbediening (Zie **afstandsbediening-handleiding**). Houd dan de knop "neer" op de afstandsbediening ingedrukt. Na 2 seconden wordt de loopondersteuning ingeschakeld.



Waarschuwing! Zorg dat u uw handen stevig aan het stuur van uw eBike heeft bij gebruik van deze functie, anders zou u de controle over de eBike kwijt kunnen raken.

De loopondersteuning wordt uitgeschakeld als:

- u de knop "neer" loslaat.
- de wielen van de eBike blokkeren;
- de snelheid hoger wordt dan 6 km/h.

Inactiviteit

Als de eBike inactief wordt, schakelt het systeem automatisch de accu uit. Om het systeem vanuit inactiviteit op te starten, schakelt u de accu weer in (zie de **accu-handleiding**). De eBike wordt inactief als:

- de eBike niet wordt verplaatst en er wordt geen knop op de afstandsbediening ingedrukt gedurende 10 uur;
- de accu voor minder dan 30% is geladen en de fiets wordt niet bewogen en er wordt geen knop ingedrukt op de afstandsbediening gedurende 3 uur.

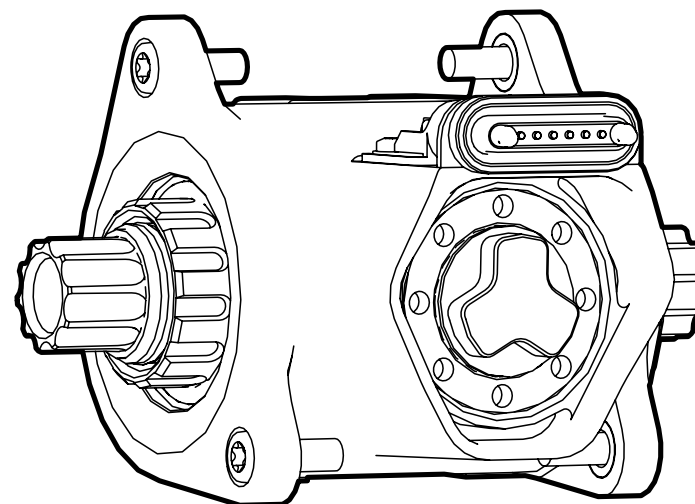
Aandachtspunten tijdens het fietsen

- De fietsversnellingen moeten worden gebruikt als bij een normale fiets. Ongeacht het soort versnelling, wordt aanbevolen om even te stoppen met trappen tijdens het schakelen. Dit vermindert de belasting op de tandwielen en de aandrijflijn.
- Door de juiste versnelling te gebruiken verhoogt u de snelheid, het vermogen en het bereik van uw eBike met dezelfde inspanning.
- We raden aan geleidelijk ervaring op te doen met uw eBike uit de buurt van wegen en verkeer. Test het bereik van uw eBike onder verschillende omstandigheden voordat u langere tochten onderneemt.


- Het is niet mogelijk om voor of tijdens een tocht nauwkeurig het bereik van uw systeem te voorspellen. Het bereik van uw eBike is afhankelijk van vele factoren:
 - ondersteuningsniveau
 - snelheid
 - gebruik van versnellingen
 - bandentype en bandenspanning
 - route en weersomstandigheden
 - gewicht van fiets en berijder
 - ouderdom van de accu
- Let zorgvuldig op de gebruiks- en opslagtemperaturen van de eBike-onderdelen. Vooral de accu kan schade oplopen door extreme temperaturen.

evATION 1.0

Trapashuis




Veiligheidsvoorschriften

! **Belangrijk!** Lees zorgvuldig de veiligheidswaarschuwingen  en -voorschriften voor alle onderdelen van het aandrijfsysteem en uw eBike.

! **Belangrijk! Lees de veiligheidsvoorschriften aandachtig.** Het niet opvolgen van veiligheidsvoorschriften kan elektrische schokken, brand of ernstige verwondingen veroorzaken.

Bewaar alle veiligheidswaarschuwingen en -aanwijzingen voor toekomstig gebruik

-  **Open het trapashuis niet zelf.** Het trapashuis is onderhoudsvrij. Het mag alleen worden geopend door bevoegde deskundigen en worden gerepareerd met originele reserveonderdelen. Als een systeem door onbevoegden wordt geopend, vervalt de garantie.
-  **Alle onderdelen van het trapashuis en de eBike mogen alleen worden vervangen door identieke of uitdrukkelijk door de fabrikant van uw eBike goedgekeurde componenten.** Dit voorkomt beschadiging van uw aandrijfsysteem.
-  **Verander niets aan het trapashuis en voeg geen andere niet-goedgekeurde producten toe om de prestaties te verbeteren.**

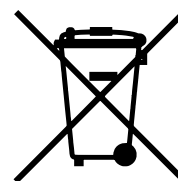
Reinigen, onderhoud en reparatie

Houd alle componenten van uw eBike en het aandrijfsysteem schoon. Let vooral op de pennen en koppelingen tussen de accu en het aandrijfsysteem evenals tussen de accu en het trapashuis. Zorg dat ze goed droog zijn voor elk gebruik.

Door de radiator van het aandrijfsysteem schoon te houden, verbetert u de koeling. Smeer uw slot elke paar maanden of als het stroever begint te gaan na verloop van tijd. Geen enkel onderdeel van het aandrijfsysteem mag worden ondergedompeld of gereinigd met een hogedrukspray. Reinig alle onderdelen van het aandrijfsysteem zorgvuldig met een doek of een zachte borstel.

Neem voor meer informatie over het onderhoud van uw aandrijfsysteem contact op met uw FAZUA Servicepartner of ga naar het FAZUA Service Platform (www.fazua.com/service).

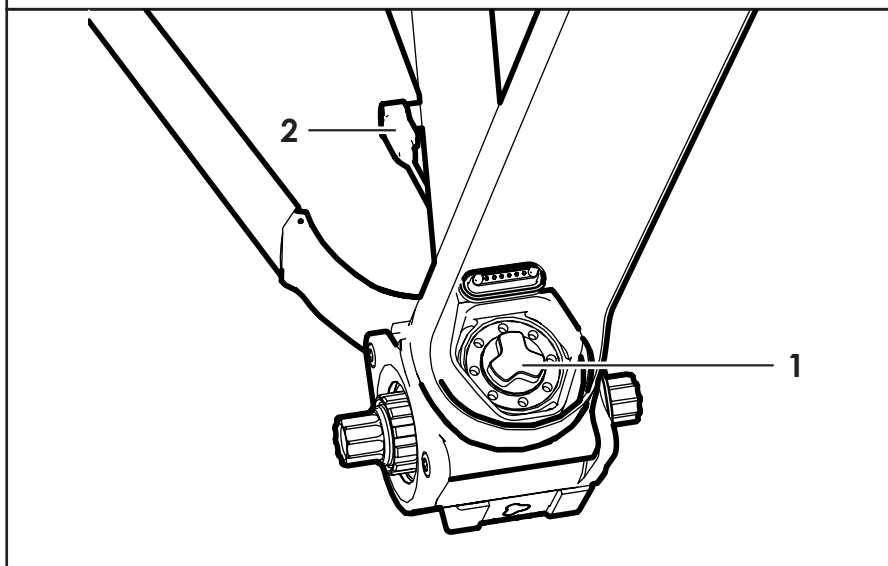
Afvoer na gebruik



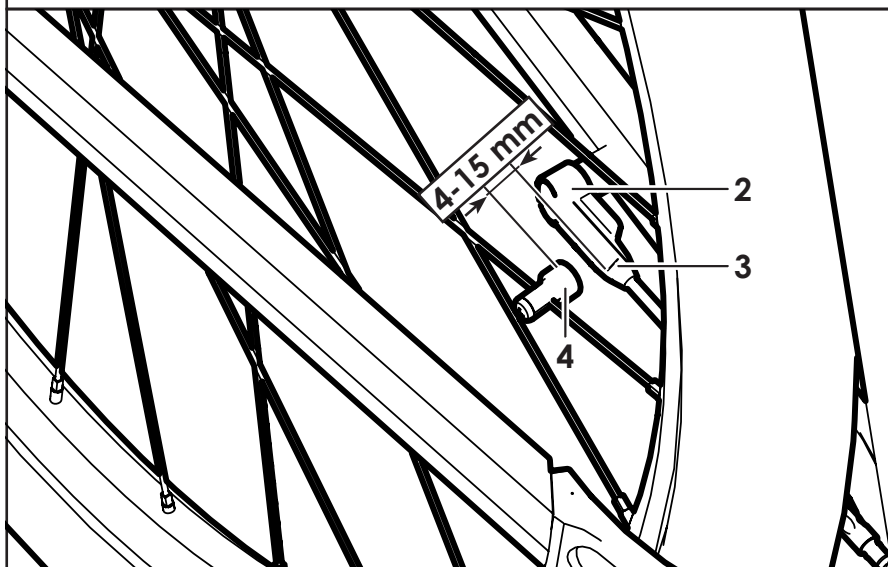
Trapashuis, aandrijfsysteem, afstandsbediening, lader, accessoires en verpakking dienen te worden afgevoerd volgens de milieuvorschriften. Deponeer e-Bikes en onderdelen niet bij het huishoudelijk afval.

Alleen voor EU-landen: Volgens EU-richtlijn 2012/19/EU en EU-richtlijn 2006/66/EG moeten defecte elektrische apparaten en gebruikte batterijen worden opgeslagen en afgevoerd volgens de milieuvorschriften.

Trapashuis 1



Snelheidssensor 2



Omschrijving en Specificaties

Kenmerken

De nummers verwijzen naar de afbeeldingen voorin de handleiding. In de afbeeldingen staan de verschillende onderdelen van het trapashuis. Sommige afbeeldingen in de handleiding kunnen enigszins afwijken van de werkelijke onderdelen, afhankelijk van de uitrusting van uw eBike.

1. Trapashuis
2. Snelheidsensor
3. Positiemarkering magneet
4. Spaakmagneet van de snelheidssensor

Specificaties

Trapashuis		
Artikelnummer		01-2018-002-01
Ondersteuningskoppel, max.	Nm	60
Q-waarde, min.	mm	135 (zonder cranks)
Bedrijfstemperatuur	°C	-20 ... +60
Opslagtemperatuur	°C	-20 ... +60
Beschermingsklasse		IP 54
Kettinglijn	mm	49, 52
Gewicht, ongeveer	kg	1,3

Montage

Afstelling snelheidssensor

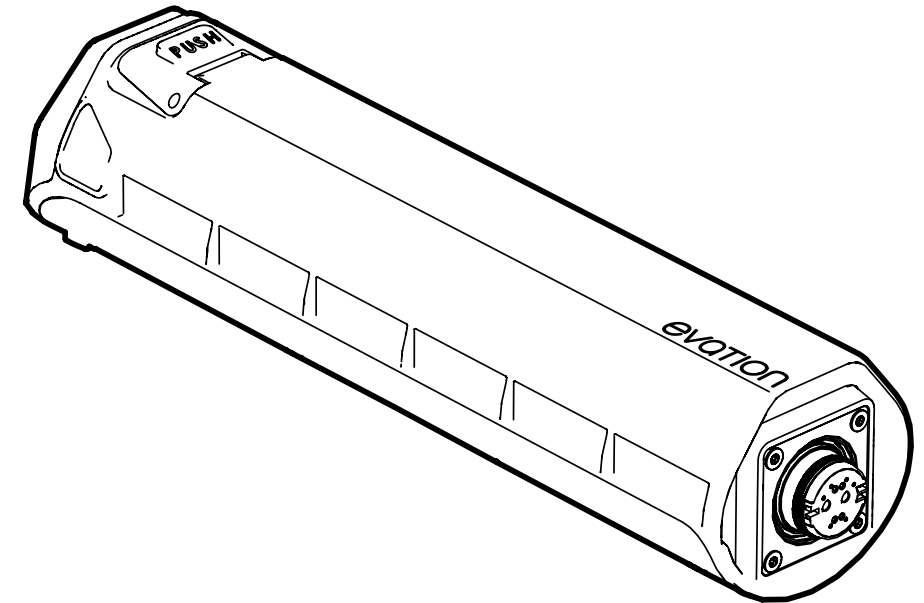
De **snelheidssensor (2)** en de **spakmagneet (4)** moeten aan twee voorwaarden voldoen:

- De **spakmagneet (4)** moet zo zijn geplaatst dat de **magneet (4)** op de spaak langs de **markering voor de magneetpositie (3)** loopt.
- De afstand tussen de **snelheidssensor (2)** en de **spakmagneet (4)** op het moment van passeren moet liggen tussen 4 en 15 mm.

NB! Als de afstand tussen de **snelheidssensor (2)** en de **spakmagneet (4)** niet juist is, of als de **snelheidssensor (2)** niet goed is aangesloten, zal de eBike werken in de modus "zachte fout" die wordt vermeld op de afstandsbediening (zie **gebruiksaanwijzing afstandsbediening**). Als dit het geval is, draai dan de schroef van de **spakmagneet (4)** los en zet hem weer vast in een positie waarin hij langs de **markering van de snelheidssensor (3)** loopt op de juiste afstand. Als het probleem niet op te lossen is, neem dan contact op met een geautoriseerde dealer of ga naar het FAZUA Service Platform (www.fazua.com/service)

evation 1.0

Accu 7000



Veiligheidsvoorschriften

Belangrijk! Lees zorgvuldig de veiligheidswaarschuwingen  en -voorschriften voor alle onderdelen van het aandrijfsysteem en uw eBike.

Belangrijk! Lees de veiligheidsvoorschriften **aandachtig**. Het niet opvolgen van veiligheidsvoorschriften kan elektrische schokken, brand of ernstige verwondingen veroorzaken.

Bewaar alle veiligheidswaarschuwingen en -aanwijzingen voor toekomstig gebruik

-  **Verwijder de accu uit het aandrijfsysteem voordat u gaat schoonmaken.** Vocht op de contactpunten van uw aandrijfsysteem bij het plaatsen van de accu kan uw accu beschadigen.
-  **Open de accu niet.** Explosiegevaar. Door de accu te openen vervalt de garantie automatisch.
-  **Gebruik de accu uitsluitend met eBikes die voorzien zijn van een origineel FAZUA Evation aandrijfsysteem.**
-  **Gebruik uitsluitend originele Evation accu's die zijn goedgekeurd door de eBike-fabrikant.** Gebruik van niet-goedgekeurde accu's kan verwonding of brand veroorzaken. FAZUA aanvaardt geen aansprakelijkheid voor het gebruik van niet-goedgekeurde accu's.
-  **Gebruik uitsluitend originele FAZUA laders voor het laden van de accu.** FAZUA aanvaardt geen aansprakelijkheid voor schade als gevolg van het gebruik van niet-goedgekeurde laders.
-  **Houd de accu uit de buurt van warmte, vuur en water.** Explosiegevaar.
-  **Bescherm de accu tegen mechanische invloeden en spanningen.** Kans op beschadiging en vrijkomen van gassen die irriterend kunnen zijn voor de luchtwegen. Zorg voor frisse lucht en roep medische hulp in bij klachten.
-  **Wees voorzichtig met metalen voorwerpen zoals munten, paperclips, schroeven, etc. in de buurt van de accu.** Ze kunnen een verbinding vormen tussen de contactpunten van de accu. Brandgevaar. Hierdoor veroorzaakte schade valt niet onder de garantie.
-  **Houd de accu uit de buurt van brandbare materialen. Zorg dat de accu zich tijdens het opladen op een droge en brandveilige plaats bevindt.** Het laden veroorzaakt warmte waardoor brand kan ontstaan.
-  **Laat de accu niet onbeheerd achter tijdens het laden.**
-  **Een beschadigde accu mag nooit worden geladen of gebruikt.**

 **Vermijd contact met vloeistoffen die uit de accu mochten komen.** Spoel met veel water in het geval van contact met dergelijke vloeistoffen. Elk contact met dergelijke vloeistoffen kan irritatie en brandwonden veroorzaken. Roep medische hulp in als een vloeistof in contact komt met de ogen.

 **Houd de accu en de lader uit de buurt van pacemakers. Magnetische velden kunnen invloed hebben op hun werking.**

 **Houd de accu uit de buurt van kinderen.**

Reinigen, onderhoud en reparatie

Houd alle componenten van uw eBike en het aandrijfsysteem schoon. Let vooral op de pennen en koppelingen tussen de accu en het aandrijfsysteem evenals tussen de accu en het trapashuis. Zorg dat ze goed droog zijn voor elk gebruik.

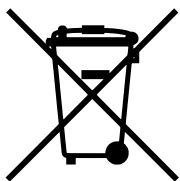
Door de radiator van het aandrijfsysteem schoon te houden, verbetert u de koeling. Smeer uw slot elke paar maanden of als het stroever begint te gaan na verloop van tijd. Geen enkel onderdeel van het aandrijfsysteem mag worden ondergedompeld of gereinigd met een hogedrukspuit. Reinig alle onderdelen van het aandrijfsysteem zorgvuldig met een doek of een zachte borstel.

Neem voor meer informatie over het onderhoud van uw aandrijfsysteem contact op met uw FAZUA Servicepartner of ga naar het FAZUA Service Platform (www.fazua.com/service).

Transport

Accu's vallen onder de wettelijke regelingen voor gevaarlijke stoffen. Onbeschadigde accu's mogen over de weg worden vervoerd door privépersonen. Voor commercieel vervoer dient u zich te houden aan de voorschriften voor verpakking, markering en transport van gevaarlijke stoffen. Bedek blootliggende pennen en verpak de accu stevig. Vertel uw vervoerder dat het gaat om transport van gevaarlijke stoffen. Neem voor andere vragen contact op met een FAZUA Servicepartner of ga naar het officiële FAZUA Service Platform (www.fazua.com/service).

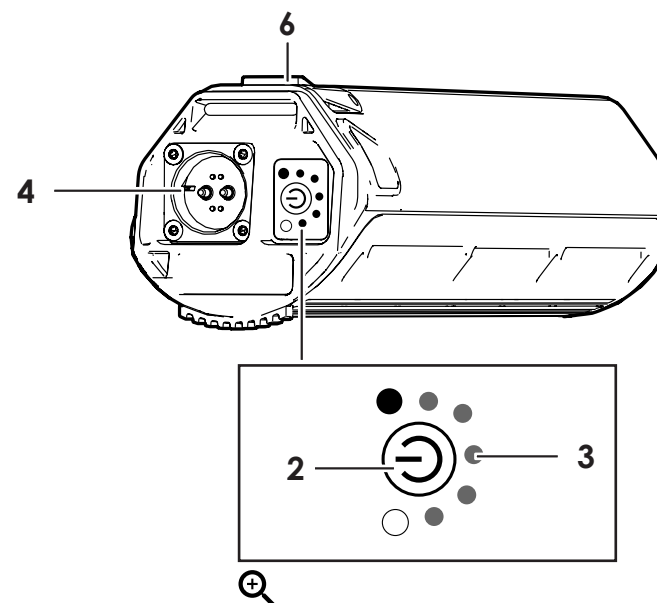
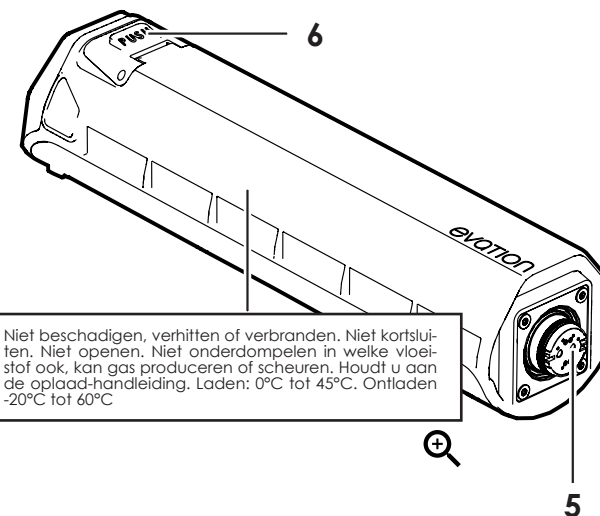
Afvoer na gebruik



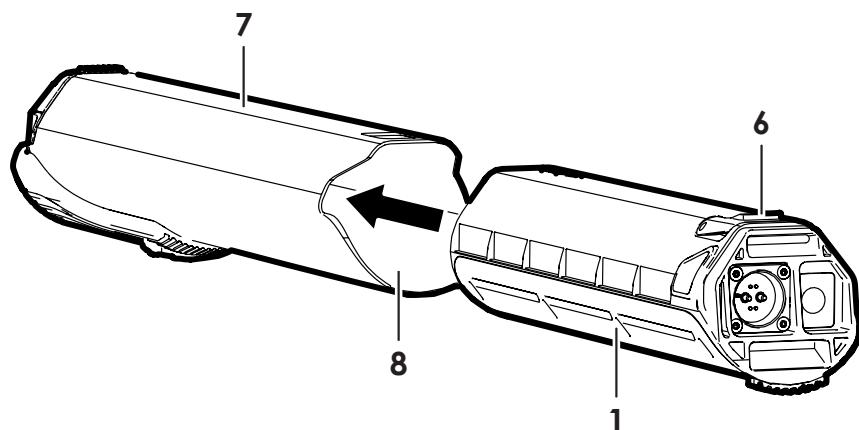
Trapashuis, aandrijfsysteem, afstandsbediening, lader, accessoires en verpakking dienen te worden afgevoerd volgens de milieuvorschriften. Deponeer e-Bikes en onderdelen niet bij het huishoudelijk afval.

Alleen voor EU-landen: Volgens EU-richtlijn 2012/19/EU en EU-richtlijn 2006/66/EC moeten defecte elektrische apparaten en gebruikte accu's apart worden opgeslagen en afgevoerd volgens de geldende milieuvorschriften.

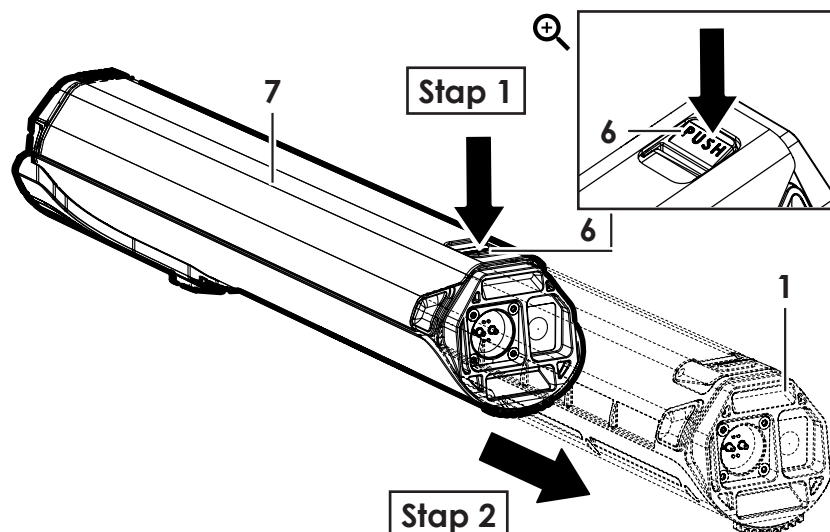
Accu 1



Actie A



Actie B



Omschrijving en Specificaties

Kenmerken

De nummers verwijzen naar de afbeeldingen voorin de handleiding. In de afbeeldingen staan de verschillende onderdelen van de accu. Sommige afbeeldingen in de handleiding kunnen enigszins afwijken van de werkelijke onderdelen, afhankelijk van de uitrusting van uw eBike.

1. Accu
2. Knop aan/uit
3. Indicator bedrijf en laadtoestand
4. Aansluiting voor laadconnector
5. Connector naar aandrijfsysteem
6. Bevestigingsklep
7. Aandrijfsysteem
8. Accuhouder

Specificaties

Lithium-ion accu 7000		
Artikelnummer		01-2018-004
Nominale spanning	V	36
Nominale capaciteit	Ah	7
Energie	Wh	252
Bedrijfstemperatuur	°C	-20 ... +60
Opslagtemperatuur	°C	-20 ... +60
Ontladingtemperatuur	°C	-20... +60
Laadtemperatuur	°C	0 ... +45
Beschermingsklasse		IP 54
Gewicht, ongeveer	kg	1,4

* Overschrijding van deze grenswaarden kan vermindering van vermogen veroorzaken.

Montage

 **Waarschuwing! Lees de accu-handleiding zorgvuldig en volg de aanwijzingen op (1).**

 **Waarschuwing! Controleer uw accu (1) voor elk gebruik en voor het opladen. Zorg dat de contactpunten en oppervlakken schoon zijn.**

 **Waarschuwing! Let voor het opladen van uw accu (1) altijd op tekenen van schade zoals scheurtjes of brandplekken. Een beschadigde accu mag nooit worden geladen of gebruikt (1).**
Neem contact op met uw FAZUA Servicepartner of ga naar het FAZUA Service Platform (www.fazua.com/service).


Eerste controle van de accu

Controleer uw **accu (1)** voordat u hem voor het eerst oplaadt of gebruikt.

Druk op de **knop aan/uit (2)** op uw **accu (1)**. Als niet alle leds van de oplaadindicator (3) oplichten, laad dan de accu (8) helemaal op vóór het eerste gebruik. Als geen enkele led van de **laadindicator (3)** oplicht, dan is uw **accu (1)** mogelijk beschadigd.

Zet voor het eerste en elk volgend gebruik altijd uw **accu (1)** aan door op de **knop aan/uit (2)** te drukken.

De accu opladen

 **Belangrijk! Lees zorgvuldig de handleiding van de lader voordat u hem voor de eerste keer gaat opladen.**

De **accu (1)** kan op elk moment apart worden opgeladen, geplaatst in een aandrijfsysteem (1), of in uw eBike (zie de **montagehandleiding aandrijfsysteem**). Het laden kan op elk willekeurig moment worden onderbroken.

Om de volledige capaciteit van de **accu (1)** te benutten, moet u de **accu (1)** vóór het eerste gebruik helemaal opladen.

Als de temperatuur van de **accu (1)** niet binnen de voorgeschreven waarden ligt, wordt hij niet opgeladen, ook niet als de lader is aangesloten. Het laden begint pas als de laadtemperatuur is bereikt.

Laadindicator

Als de **accu (1)** wordt ingeschakeld, verschijnt de opstartmelding op de **laadindicator (3)**. Vervolgens tonen de leds kort de **laadtoestand (3)** van de **accu (1)**.

Als de **accu (1)** is ingeschakeld, kan de laadtoestand worden gecontroleerd door kort op de **knop aan/uit (2)** te drukken.

Elke led komt overeen met 20% van de capaciteit. Als de accu helemaal is opgeladen, lichtten alle vijf leds op. Als echter de accu leeg is, dan knippert alleen de laatste led. De laadtoestand van de **accu (1)** verschijnt ook op de afstandsbediening (zie de **afstandsbediening-handleiding**).


Plaatsen/verwijderen van de accu

 **Waarschuwing! Zorg dat zowel de accu (1) als het aandrijfsysteem (7) schoon zijn, anders kan de door het vuil veroorzaakte wrijving deze handeling bemoeilijken.**

Om de **accu (1)** in het **aandrijfsysteem (7)** te plaatsen, houdt u het **aandrijfsysteem (7)** in de ene hand en de **accu (1)** in de andere. Zorg dat de **connector voor het aandrijfsysteem (5)** tegenover de **accuhouder (8)** ligt. Breng de twee naar elkaar toe en laat de **accu (1)** geleidelijk in de **accuhouder (8)** van het **aandrijfsysteem (7)** (**Actie A**) glijden. Als de **accu (1)** helemaal in de houder zit, zal de **bevestigingsklep (6)** automatisch de **accu (1)** vergrendelen.

Om de **accu (1)** te verwijderen uit het **aandrijfsysteem (7)**, drukt u de **bevestigingsklep (6)** naar beneden terwijl u de **accu (1)** uit de **accuhouder (8)** (**Actie B**) trekt.

Bedrijf

 **NB!** De **accu (1)** is beschermd tegen kortsluiting, oververhitting, overladen en diep ontladen. Dit systeem kan de **accu (1)** automatisch afsluiten als er een risico bestaat.

De accu in- en uitschakelen


De **accu (1)** kan worden aan- en uitgeschakeld ongeacht of hij wel of niet in het **aandrijfsysteem (7)** is geplaatst.

Om de **accu (1)**, aan te zetten drukt u op de **knop aan/uit (2)**. De leds van de **laadindicator (3)** tonen een opstartmelding en dan kort de laadtoestand.

Om de **accu (1)**, uit te schakelen houdt u de **knop aan/uit (2)** gedurende 2 seconden ingedrukt. De leds van de **laadindicator (3)** tonen een afsluitmelding en de **accu (1)** schakelt uit.

Als uw eBike inactiviteit bereikt, wordt uw **accu (1)** uitgeschakeld om de resterende energie te sparen (zie **aandrijfsysteem-handleiding inactiviteit**). Op dezelfde manier zal een ontkoppelde **accu (1)** die gedurende 12 uur niet wordt aangesloten op een **aandrijfsysteem (7)** of een lader, of waarvan de knop niet wordt ingedrukt, worden uitgeschakeld om de resterende energie te sparen.

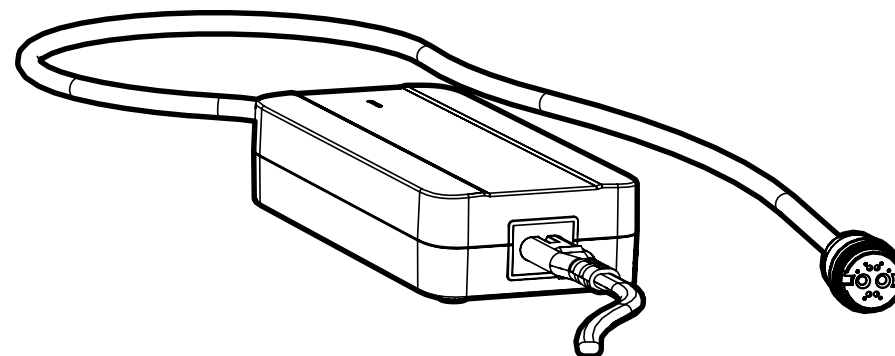
Algemene tips voor uw accu

 **NB!** De **accu (1)** langere tijd bewaren in ontladen toestand kan ernstige schade aan uw accu veroorzaken of de capaciteit aanzienlijk verminderen.

- Uw **accu (1)** gaat langer mee als hij goed wordt onderhouden. Let op de gebruiks- en opslagtemperaturen.
- Houd de **accu (1)** niet permanent aangesloten op de lader.
- Laad uw **accu (1)** tot 60% laadtoestand voordat u hem langere tijd niet gebruikt. Controleer de **accu (1)** opnieuw na zes maanden en als de laadtoestand 20% of minder is, laad hem dan opnieuw tot 60%.
- Opslagtijd bij 60% laadtoestand:
 - 1 maand: -20~60°C
 - 3 maanden: -20~45°C
 - 1 jaar: -20~25°C
- Bewaar de **accu (1)** op een droge, goed geventileerde plaats. Een temperatuur tussen +5°C en +20°C is optimaal.
- Als de weersomstandigheden ongunstig zijn, neem dan het **aandrijfsysteem (7)** en de **accu (1)** uit de eBike en sla ze op tot het volgende gebruik.
- Het is niet aan te bevelen om de **accu (1)** in de eBike te bewaren.

evATION 1.0


Lader



NL Handleiding










FAZUA

Veiligheidsvoorschriften

! **Belangrijk!** Lees zorgvuldig de veiligheidswaarschuwingen  en -voorschriften voor alle onderdelen van het aandrijfsysteem en uw eBike.

! **Belangrijk!** Lees de veiligheidsvoorschriften **aandachtig**. Het niet opvolgen van veiligheidsvoorschriften kan elektrische schokken, brand of ernstige verwondingen veroorzaken.

Bewaar alle veiligheidswaarschuwingen en -aanwijzingen voor toekomstig gebruik

-  **Houd de lader uit de buurt van water of vocht.** Anders bestaat er een hoog risico van elektrische schokken.
-  **Laad uitsluitend originele Evation accu's die zijn goedgekeurd door de eBike-fabrikant.** Ander bestaat er een risico van brand of explosie.
-  **Open de lader niet.** Het mag alleen worden geopend door bevoegde deskundigen en worden gerepareerd met originele reserveonderdelen.
-  **Controleer lader, kabel en stekker voor elk gebruik. Gebruik ze niet als u beschadigingen constateert.** Er bestaat een hoog risico van elektrische schokken.
-  **Houd de lader schoon.** Vuil op de lader verhoogt het risico van elektrische schokken.
-  **Houd de lader en de accu uit de buurt van brandbare materialen. Zorg dat de lader en de accu zich tijdens het laden op een droge en brandveilige plaats bevinden.** Het laden veroorzaakt warmte waardoor brand kan ontstaan.
-  **Wees voorzichtig als u de lader aanraakt tijdens of direct na het laden.** De lader kan heet worden.
-  **Laat de lader niet onbeheerd achter tijdens het laden.**
-  **Personen die niet in staat zijn de lader veilig te gebruiken, mogen lader uitsluitend onder toezicht gebruiken.**
-  **Houd de lader uit de buurt van kinderen.**

 **Als de accu beschadigd raakt, kunnen er gasen vrijkomen.** Zorg voor frisse lucht en roep medische hulp in bij klachten.

 **Houd de accu en de lader uit de buurt van pacemakers. Magnetische velden kunnen invloed hebben op hun werking.**

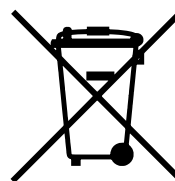
Reinigen, onderhoud en reparatie

Houd alle componenten van uw eBike en het aandrijfsysteem schoon. Let vooral op de pennen en koppelingen tussen de accu en het aandrijfsysteem evenals tussen de accu en het trapshuis. Zorg dat ze goed droog zijn voor elk gebruik.

Door de radiator van het aandrijfsysteem schoon te houden, verbetert u de koeling. Smeer uw slot elke paar maanden of als het stroever begint te gaan na verloop van tijd. Geen enkel onderdeel van het aandrijfsysteem mag worden ondergedompeld of gereinigd met een hogedrukpuit. Reinig alle onderdelen van het aandrijfsysteem zorgvuldig met een doek of een zachte borstel.

Neem voor meer informatie over het onderhoud van uw aandrijfsysteem contact op met uw FAZUA Servicepartner of ga naar het FAZUA Service Platform (www.fazua.com/service).

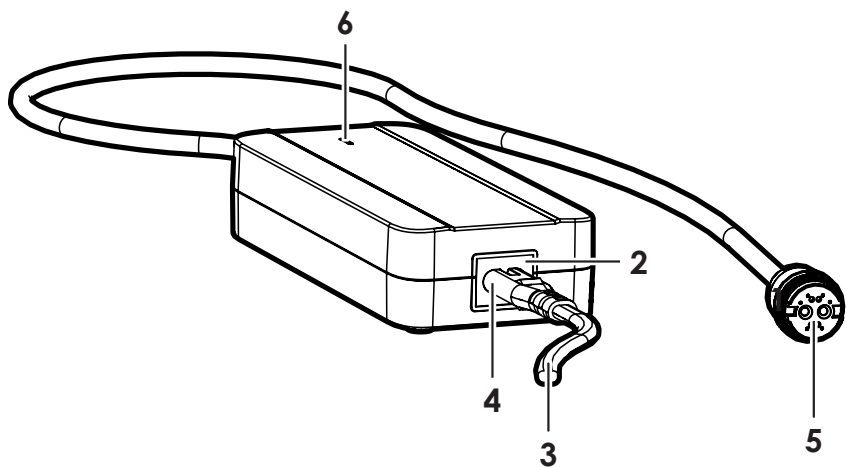
Afvoer na gebruik



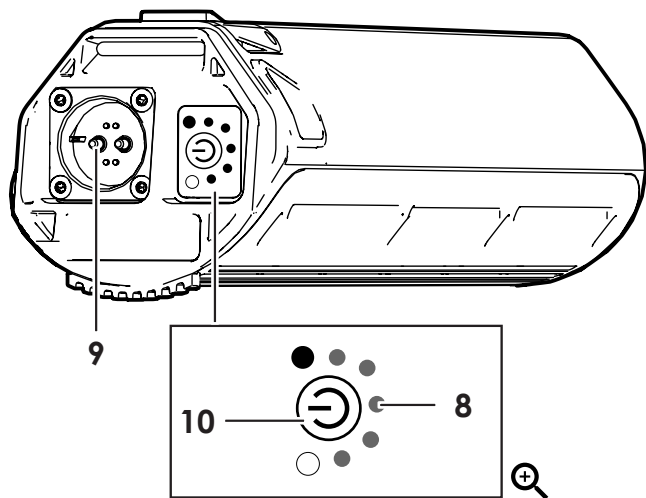
Trapshuis, aandrijfsysteem, afstandsbediening, lader, accessoires en verpakking dienen te worden afgevoerd volgens de milieuvorschriften. Deponeer e-Bikes en onderdelen niet bij het huishoudelijk afval.

Alleen voor EU-landen: Volgens EU-richtlijn 2012/19/EU en EU-richtlijn 2006/66/EC moeten defecte elektrische apparaten en gebruikte accu's apart worden opgeslagen en afgevoerd volgens de geldende milieuvorschriften.

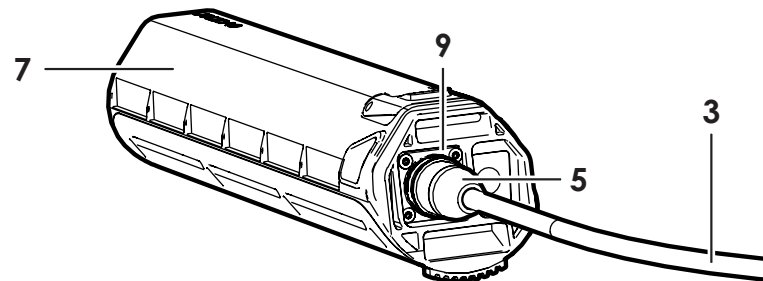
Lader 1



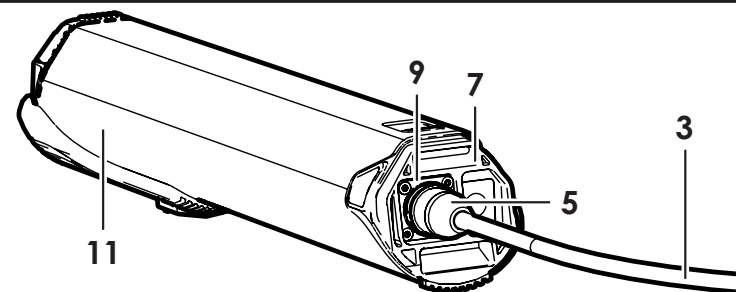
Accu 7



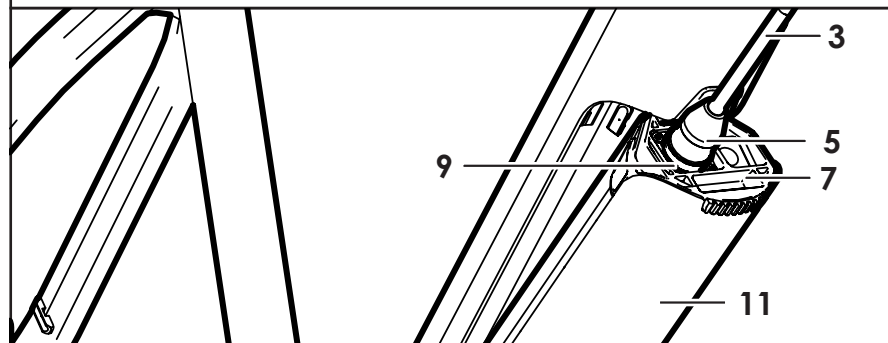
Actie A



Actie B



Actie C



Omschrijving en Specificaties

Kenmerken

De nummers verwijzen naar de afbeeldingen voorin de handleiding. De afbeelding laten de verschillende onderdelen zien van de lader en andere FAZUA-modules. Sommige afbeeldingen in de handleiding kunnen enigszins afwijken van de werkelijke onderdelen, afhankelijk van de uitrusting van uw eBike.

1. Lader
2. Netaansluiting
3. Stroomsnoer
4. Stekker
5. Laadconnector
6. Lader-led
7. Accu
8. Laadindicator
9. Aansluiting voor laadconnector
10. Knop aan/uit
11. Aandrijfsysteem

Specificaties

Lithium-ion accu 7000		
Artikelnummer		01-2018-005
Nominale ingangsspanning	V AC	100 ... 240
Frequentie	Hz	50 ... 60
Uitgangsspanning	V DC	42
Laadstroom	A	2
Laadtijd (ongeveer)	h	3,5
Bedrijfstemperatuur	°C	-20 ... +60
Opslagtemperatuur	°C	-20 ... +60
Beschermingsklasse		IP 54
Gewicht, ongeveer	kg	0,6

Bedrijf

⚠ Waarschuwing! Controleer de netspanning. De spanning waarop de **lader (1)** wordt aangesloten moet binnen het voorgeschreven bereik liggen.

⚠ Waarschuwing! Lees de **accu-handleiding zorgvuldig en volg de aanwijzingen op. Waarschuwing! Controleer uw accu voor elk gebruik en voor het opladen. Zorg dat de contactpunten en oppervlakken schoon zijn.**

⚠ Waarschuwing! Let voor het opladen van uw accu altijd op tekenen van schade zoals scheurtjes of brandplekken. Een beschadigde accu mag nooit worden geladen of gebruikt. Neem contact op met uw FAZUA Servicepartner of ga naar het FAZUA Service Platform (www.fazua.com/service).

De lader op het net aansluiten

Steek de **stekker (4)** van het **stroomsnoer (3)** in de **stroomaansluiting (2)** van de **lader (1)**. Steek dan de netstekker (per land verschillend) in het stopcontact.

📌 NB! Laad de **accu (7)** alleen op als aan alle veiligheidsvoorschriften is voldaan. Anders moet u eerst zorgen dat alle veiligheidsvoorschriften worden opgevolgd en dan pas beginnen met laden.

De lader aansluiten op een ontkoppelde accu

Verbind de **laadconnector (5)** van de **lader (1)** met de **laadstekker (9)** van uw **accu (7) (Actie A)**.

De lader koppelen aan een accu die in een aandrijfsysteem is geplaatst

De **accu (7)** kan hetzij ontkoppeld worden geladen of geplaatst in het **aandrijfsysteem (11)** (zie de **aandrijfsysteem-handleiding**).

Verbind de **laadconnector (5)** van de **lader (1)** met de **laadstekker (9)** van uw **accu (7)** (die is geplaatst in het **aandrijfsysteem (11)**) (**Actie B**).

De lader aansluiten op de accu in de eBike

U kunt de **accu (7)** laden als hij in de eBike is geplaatst.

Zet eerst het **aandrijfsysteem (11)** in de laadstand op uw eBike (zie de **montagehandleiding van het aandrijfsysteem**).

Verbind dan de **laadconnector (5)** van de **lader (1)** met de **laadstekker (9)** van uw **accu (7)** die is geplaatst in de eBike (**Actie C**).

Laadproces

Het laden begint zodra de **laadconnector (5)** van de **lader (1)** in het **laadcontact (9)** van de **accu (7)** is gestoken.

De laadtoestand is af te lezen op de **laadindicator (8)** op de **accu (7)**. De oplichtende leds van de **laadindicator (8)** geven de werkelijke laadtoestand aan. Elke led komt overeen met 20% van de capaciteit, zodat de accu volledig is opgeladen als de 5 leds oplichten.

Als de **accu (7)** helemaal is geladen, gaan de leds van de **laadindicator (8)** uit. De laadtoestand kan nu worden afgelezen door kort de **knop aan/uit (10)** op uw **accu (7)** te drukken.

Als het laadproces is voltooid, neem dan de stekker van de **lader (1)** uit het stopcontact en verbreek de verbinding tussen de **accu (7)** en de **lader (1)**.

evation 1.0

Fabrieksgarantie

 FAZUA

Fabrieksgarantie

FAZUA GmbH, Hofmannstr. 61, 81379 München (hierna te noemen: „Fabrikant“) garandeert aan de eindklant (hierna te noemen: „Klant“) met inachtneming van de onderstaande bepalingen dat het aandrijfsysteem dat is ingebouwd in het door Klant binnen de Europese Unie (stand 01-01-2017) en Zwitserland (hierna te noemen: „Geografisch toepassingsgebied“) aangeschafte rijwiel en de componenten ervan (hierna te noemen: „Product“) binnen een periode van twee jaar vanaf levering (garantietermijn) vrij is van constructie-, materiaal- of verwerkingsfouten en onbeperkt inzetbaar is.

Indien er zich desondanks een fout voordoet of het aandrijfsysteem niet onbeperkt inzetbaar is, zal Fabrikant dit naar eigen inzicht en voor zijn kosten middels reparatie of levering van nieuwe of gereviseerde onderdelen verhelpen.

Dit laat de wettelijke rechten van Klant wegens gebreken conform § 437 van het Duits Burgerlijk Wetboek (BGB) onverlet en deze worden door deze garantie ook niet beperkt.

Aanspraken op basis van deze garantie bestaan echter alleen, als

- het product geen schade of slijtageverschijnselen vertoont die zijn veroorzaakt door een gebruik dat afwijkt van de normale bestemming en de voorschriften van Fabrikant volgens het gebruikershandboek,
- het product geen kenmerken vertoont die wijzen op reparaties of andere ingrepen door werkplaatsen, die niet door Fabrikant zijn geautoriseerd, en
- het fabricage nummer niet is verwijderd of onherkenbaar is gemaakt.

Voorwaarde voor aanspraken op grond van deze garantie is dat Klant vóór het indienen van het product contact heeft opgenomen met hetzij de leverancier, bij wie hij het rijwiel heeft gekocht, dan wel de fabrikant, en deze de gelegenheid heeft geboden, om binnen een periode van acht dagen een telefonische storingsanalyse uit te voeren.

Aanspraken op basis van deze garantie kunnen vervolgens uitsluitend door overhandiging of toezending van het product aan Fabrikant worden geclaimd. Voorwaarde voor de garantie-aanspraak is verder het overleggen van de originele factuur met aankoopdatum. De kosten voor het opsturen en terugsturen van het product komen voor rekening van Fabrikant. Heeft Fabrikant of heeft de leverancier aan Klant voor het opsturen een bepaalde expediteur genoemd en maakt Klant desondanks gebruik van een ander transportbedrijf, dan dient Klant de hierdoor eventueel ontstane meerkosten te dragen.

Deze garantie geldt in de hierboven genoemde omvang en onder bovengenoemde voorwaarden, inclusief het overleggen van de aankoopbon, ook in geval van het doorverkopen voor elke latere, in het Geografische toepassingsgebied van deze garantie wonende/gevestigde toekomstige eigenaar van het product.

Op deze garantie is het recht van de Bondsrepubliek Duitsland, van toepassing, voor zover en indien dit niet in strijd is met dwingende consumentenrechtsbepalingen in het land van de betreffende klant.



FAZUA GmbH
Hofmannstrasse 61
81379 München, Alemania
www.fazua.com