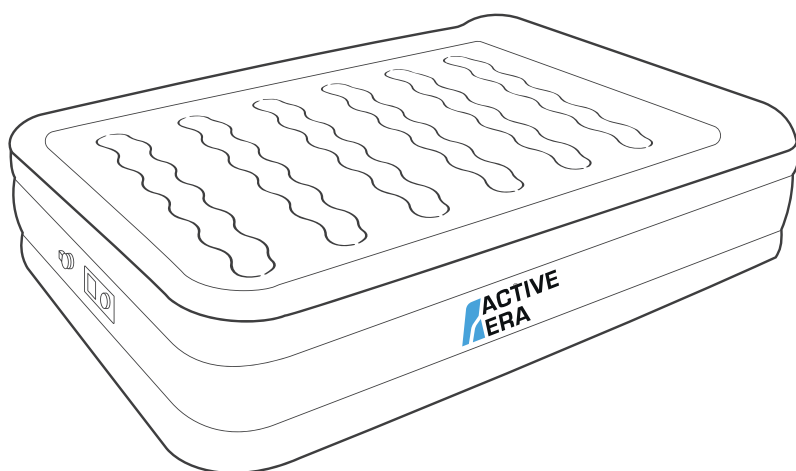




INSTRUCTION MANUAL

MODE D'EMPLOI

MANUAL DE INSTRUCCIONES



LUXURY AIR BED

MODEL AB-Q2 & AB-S2

IMPORTANT INSTRUCTIONS - RETAIN FOR FUTURE USE.

CONTENTS

EN	Important Instructions.....	Page 3
	Specifications	Page 6
	Operating Instructions	Page 7
	Frequently Asked Questions.....	Page 8
	Storage	Page 9
	Cleaning and Maintenance	Page 9
	Important Advice	Page 10
	FCC Statement	Page 10
	ISED Canada Statement	Page 11
	Recycling and Disposal	Page 11
	Symbols Explained	Page 12
FR	Français	Page 13
ES	Español.....	Page 25

Thank you for choosing to purchase a product from Active Era. Please read the entire manual carefully prior to first use and keep in a safe place for future reference.

IMPORTANT INSTRUCTIONS

PLEASE READ AND SAVE THESE IMPORTANT SAFETY INSTRUCTIONS.

When using electrical appliances, basic safety precautions should always be followed to reduce risk of fire, electric shock, and injury to persons, including the following:

⚠ WARNING: To avoid the risk of electrical shock, fire or injury to people, always make sure the appliance is unplugged from the electrical outlet before relocating, servicing, or cleaning it.

- Do not cover the appliance whilst in use.
- Use this appliance only as described in this manual. Any other use not recommended by the manufacturer may cause fire, electric shock, or injury to person.
- Always unplug the appliance when not in use.
- Keep the appliance out of reach of children and pets.
- Do not leave children alone or unattended in the area where the appliance is in use.
- Children should be supervised to ensure that they do not play with the appliance.
- Cleaning and user maintenance shall not be made by children unless continuously supervised.
- This appliance is not intended for use by persons (including children) with reduced physical, sensory or mental capabilities, or lack of experience and knowledge, unless they have been given supervision or instruction concerning use of the appliance by a person responsible for their safety.
- The appliance must have a minimum 50cm clearance around all sides.

- Never leave the appliance unattended while in use. Always turn the appliance off and disconnected from the power supply when not in use.
- Do not run cord under carpeting. Do not cover cord with throw rugs, runners, or similar coverings. Do not route cord under furniture or appliances. Arrange cord away from traffic area and where it will not be tripped over.
- Ensure that the mains supply (including voltage, frequency and power) complies with the rating label of the appliance.
- There may be trace of odour during the first few minutes of initial use. This is normal and will quickly disappear.
- Do not cover, obstruct or push objects into the vents and opening of the appliance as this may cause an electric shock, fire or damage the appliance.
- Do not operate the appliance with wet hands.
- This appliance is intended for indoor household use and similar applications. Do not use outdoors.
- Do not use the appliance near petrol, paints, flammable gases, ovens, or other heating sources.
- The mains cable should not hang down from the surface on which the appliance is placed in order to prevent the appliance from being pulled down.
- To avoid a circuit overload when using this appliance, do not operate another high-wattage appliance on the same electrical circuit.
- Always plug the appliance directly into a wall socket. Avoid using extension leads where possible as they may overheat and cause a risk of fire.
- Do not use this appliance with an external programmer, timer switch or any other device which would switch the appliance on automatically unless this has already been pre-built into the appliance by the manufacturer.
- Do not pull on the power cord. Never move, carry, or hang the appliance by the power cord.
- Do not kink or wrap the power cord and plug around the

appliance, as this may cause the insulation to weaken or split, particularly where it enters the appliance.

- Ensure the mains cable is fully extended before use and arrange it so that it is not in contact with any part of the appliance.
- Do not operate the appliance if there are any signs of damage to the appliance or accessories supplied.
- Do not attempt to repair or adjust any electrical or mechanical elements in the appliance. Doing so may be unsafe and will void your warranty.
- The appliance is only to be used with the power adapter provided. Do not use other chargers or power adapters as this may damage the appliance.
- Household use only.
- Do not operate or expose the air pump to wet environments such as rain or water.
- Never insert fingers or metal objects into the air pump suction and exhaust openings.
- Do not obstruct the air passage opening or insert any objects into the air passage opening.
- Do not get flocked surface wet. If this becomes wet, remove any bedsheets or cloths and allow to air dry.
- Do not use the air pump for more than 5 consecutive minutes at a time. Allow the air pump to cool down for 20 minutes before each repeated use. The air pump is designed to fully inflate your air bed within 2-3 minutes. The pump will automatically turn OFF if overheating occurs. This is designed for your safety.
- Never introduce any flammable substance into the inflatable air bed, such as aerosol tire repair products, as it may ignite or explode.



⚠ WARNING: RISK OF SUFFOCATION. Infants have suffocated on inflatable air beds. Never place an infant 15 months or younger to sleep on this inflatable air bed. Infants can suffocate on an under-inflated or deflated air bed, on bedding, by co-sleeping with another person, and by entrapment between

the air bed and a vertical surface. Children can be entrapped between the inflatable air bed and an adjacent vertical surface. Provide at least a shoulder width space between the inflatable air bed and the adjacent vertical surfaces such as walls, dressers, or other objects. Always keep the inflatable air bed fully inflated when in use.

- Do not attempt to repair or adjust any electrical or mechanical elements in the appliance. Doing so may be unsafe and will void your warranty.
- Use the air bed only as a mattress. Do not walk, stand, jump or use the air bed as a trampoline.
- Avoid sleeping on the edge of the air bed. Edges produce less support than the middle of the air bed.
- This air bed is not a buoyancy aid, lifebuoy or life saving device. Do not use it on or near water.
- Do not set up the air bed near stairs, doors, sharp edges or breakable objects. Provide adequate space between the air bed and objects to avoid entrapment. Make sure the area is flat, smooth, even and free of sharp objects that could puncture the air bed.
- Keep pets away from the air bed. Pets may puncture the surface of the air bed.
- Ensure the air pump suction and exhaust openings remain free of dust and debris.

SAVE THESE INSTRUCTIONS!

SPECIFICATIONS

Dimensions AB-Q2: 80" x 60" x 20" | AB-S2: 75" x 39" x 21"

Weight AB-Q2: 23 lbs | AB-S2: 14 lbs

Power: 1.5A

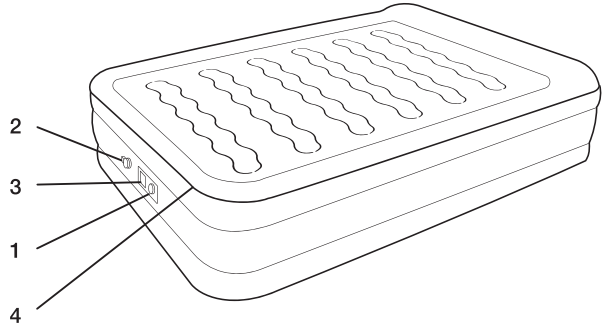
Voltage: AC 110V - 120V

Frequency: 60Hz

OPERATING INSTRUCTIONS

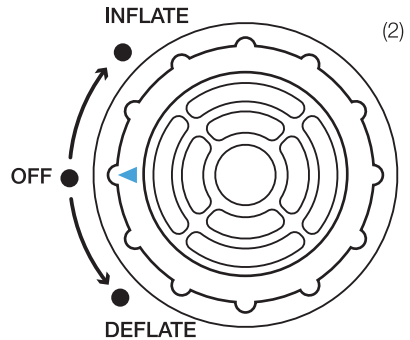
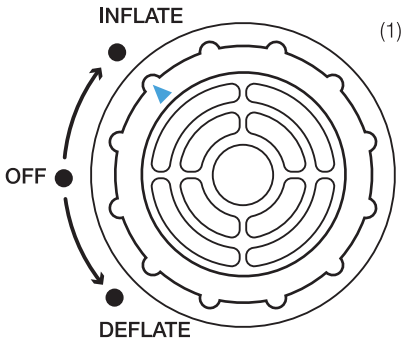
Parts

1. Control dial
2. Manual valve
3. Power cord compartment cover
4. Air Bed



Inflation

1. Choose a flat, indoor surface large enough to accommodate the inflated air bed.
2. Remove any sharp or pointy objects on or near the surface.
3. Lay the air bed out with the bottom surface touching the floor.
4. Open the cover at the side of the air bed where the power cord is stored.
5. Make sure the manual inflation valve is closed.
6. Plug the power cord into an electrical outlet.
7. Turn the control dial clockwise until the arrow points to INFLATE (Image 1).
8. The single and twin air bed will take up to 2 minutes to inflate. The queen and king size air bed will take up to 3 minutes to inflate.
9. When the airbed is fully inflated, turn the control dial one click anti-clockwise until the arrow points to OFF (Image 2).
10. Lie down on the air bed to test the firmness. If too soft, repeat steps 7 – 9 as necessary.
11. Unplug the cord and store in the power cord compartment.

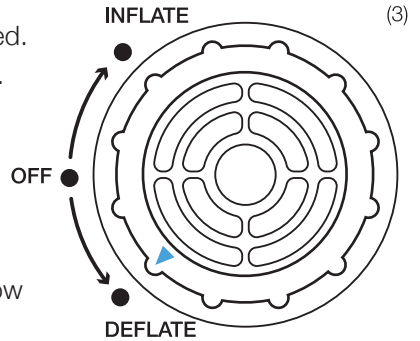


Inflation Option

If electrical power is not available, then a conventional foot or manual operated air pump can be connected to the air bed.

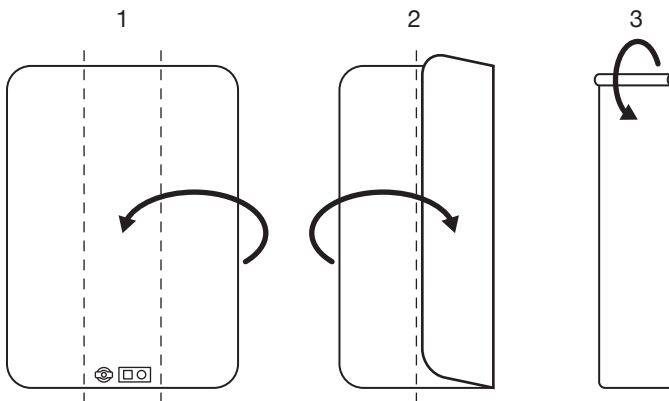
Deflation

1. Open the cover at the side of the air bed where the power cord is stored.
2. Make sure the manual inflation valve is closed.
3. Plug the power cord into an electrical outlet.
4. Turn the control dial anti-clockwise until the arrow points to DEFLATE (Image 3).
5. The air bed will take up to 3-4 minutes to deflate.
6. When the air bed is fully deflated, turn the control dial one click clockwise until the arrow points to OFF.
7. Unplug the cord and store in the power cord compartment.



Folding Instructions

1. Lay the carry bag at the end of the mattress by the deflation valve (ensure the deflation valve is open). The carry bag will serve as a rough measuring tool for folding the air bed.
2. Fold the air bed into thirds that are narrower than the width of the carry bag.
3. Roll the mattress carefully, reclose the deflation valve and store in the carry bag.



FREQUENTLY ASKED QUESTIONS

Why is my air bed deflating?

There are a few reasons your air bed may be losing air:

- **First Uses:** During its first few uses, your Active Era Air Bed may sag and require additional inflation to maintain its desired firmness. This is because stretching is a natural characteristic of new vinyl and is normal for the first few days of use. Inflate your air bed at least 30 minutes prior to first use and top up as required to allow the air bed to stretch to its natural shape.
- **Normal Use:** All air beds are designed to lose a small amount of air through their seams during use to reduce the risk of tears and bursting when pressure is added. This also helps to prevent over-inflation.
- **Increased Pressure:** Your air bed may be deflating because the weight limit has been exceeded. Most of our air beds have a weight limit of 250kgs or 550lb. Please check the product page or the specifications in your instruction manual for product specific weight limits.
- **Varying Temperatures:** Air inside the air mattress can expand or contract when exposed to hot or cold temperatures. At cold temperatures, air naturally contracts inside the air bed and can lead to sagging. If deflation occurs, pump some more air into the mattress. At hot temperatures, air can expand inside the air bed and it will become hard and in extreme circumstances, burst. Release air to avoid damage to your air bed. Where possible, aim to keep surrounding temperatures consistent during use.
- **Puncture:** Your air bed may be deflating because it has a puncture.

How do I find a puncture?




To find a puncture, please follow these steps:

1. Fill a spray bottle with soapy water e.g. washing up liquid.
2. Inflate your air bed fully and unplug the power cord from the mains power supply.
3. Spray the surface of the inflated air mattress, avoiding the air pump and electrical components.
4. Visually inspect the air bed. If there is a puncture, bubbles will start to form over the puncture as air starts to leak out.
5. Wipe your air bed dry with a soft dry cloth.
6. Repair your puncture with the provided puncture kit.

STORAGE

1. Deflate the airbed following the 'deflation' instructions.
2. Make sure the airbed is clean and dry.
3. Lay bed flat with sleeping surface facing upwards. Fold the airbed loosely and avoid sharp bends, corners and creases which can damage the airbed.
4. Store the air bed in cool and dry location.

CLEANING AND MAINTENANCE

-  **WARNING:** Always turn the appliance OFF and unplug the power cord from the electrical outlet before handling or cleaning it.
-  **CAUTION:** Do not allow water or other liquids to run into the interior of the air pump, as this could create a fire and/or electrical hazard.
-  **CAUTION:** Do not use any abrasive cleaners or solvents, as this will damage the air bed.
- Do not attempt to clean the appliance in any other way than that detailed by the manufacturer.
- Clean the exterior surface of the appliance by wiping it with a soft, damp cloth. Dry the appliance with a soft, clean cloth.
- Clean the vents and openings of the appliance regularly with a vacuum cleaner, using the brush attachment to avoid any dust build-up.
- To store your product, we recommend using the original or a similar-sized box.
- Store the appliance in a safe, clean and dry place, away from direct sunlight and out of reach of children when not in use.
- To extend the lifespan of the filter, a vacuum cleaner, using the brush attachment can be used to remove dust from the surface of the filter.

IMPORTANT ADVICE

The ambient temperatures of air have an effect on the air bed internal pressure. At low ambient temperatures the air will contract within the air bed and the air bed will feel softer: add air as necessary. At high ambient temperatures the air within the air bed will expand significantly and the air bed will become hard and may burst: release air to avoid damage to the air bed or to soften the feel. Do not expose the air bed to extreme temperatures.

Air inside of air bed may expand and contract with varying temperatures leading to reduced pressure inside of air bed. If this occurs, simply add more air issuing the pump to achieve desired firmness.

Stretching is a natural characteristic of new vinyl. During initial use, the air bed may become soft and require additional inflation to maintain desired firmness. This is normal for the first few days of use.

Under no circumstances will Active Era be liable for damages to the air bed caused by negligence, ordinary wear and tear, abuse and carelessness or external forces.

FCC STATEMENT

FC This device complies with Part 15 of the FCC Rules. Operation is subject to the following two conditions: (1) This device may not cause harmful interference, and (2) this device must accept any interference received, including interference that may cause undesired operation. Warning: Changes or modifications not expressly approved by the party responsible for compliance could void the user's authority to operate the equipment.

This equipment has been tested and found to comply with the limits for a Class B digital device, pursuant to part 15 of the FCC Rules. These limits are designed to provide reasonable protection against harmful interference in a residential installation. This equipment generates, uses and can radiate radio frequency energy and, if not installed and used in accordance with the instructions, may cause harmful interference to radio communications. However, there is no guarantee that interference will not occur in a particular installation. If this equipment does cause harmful interference to radio or television reception, which can be determined by turning the equipment off and on, the user is encouraged to try to correct the interference by one or more of the following measures:

- Reorient or relocate the receiving antenna.
- Increase the separation between the equipment and receiver.
- Connect the equipment into an outlet on a circuit different from that to which the receiver is connected.
- Consult the dealer or an experienced radio/TV technician for help.

ISED CANADA STATEMENT

IC This device complies with ISED Canada licence-exempt RSS standard(s). Operation is subject to the following two conditions: (1) this device may not cause interference, and (2) this device must accept any interference, including interference that may cause undesired operation of the device.

This device complies with ISED Canada license-exempt RSS standard(s). Operation is subject to the following two conditions: (1) the device may not cause

interference, and (2) the device must accept any radio interference received, even if the interference is likely to compromise operation.

RECYCLING AND DISPOSAL

Waste electrical and electronic products (WEEE), batteries, accumulators and packaging should not be disposed of with general household waste. This is to prevent possible harm to the environment and human well-being, and to help conserve our natural resources. Most electrical products with a plug, battery, or cable can be recycled.

Contact your local council, household waste disposal service, or the store where you purchased the product for information regarding the collection schemes in your area.



Waste Electrical and Electronic Equipment (WEEE)

This symbol on the product and/or packaging indicates that Waste Electrical products (WEEE) under Directive 2012/19/EU which governs used electrical and electronic appliances, should not be disposed of with general household waste.



The Mobius Loop

This symbol indicates that the product or packaging is capable of being recycled.

Take-Back Scheme

Waste electrical products (WEEE) can be sent to One Retail Group for recycling and disposal when you purchase a new product from One Retail Group, on a like-for-like basis. For more information on how to recycle this product please visit www.activeera.com.

The end-user of electrical and electronic products (WEEE) is responsible for separating old batteries and lamp bulbs before they are handed over to a designated disposal and recycling service. Waste batteries can also be disposed of in collection bins, which can be found in most local supermarkets and household waste recycling centres.

SYMBOLS EXPLAINED

	For indoor use only.		Please read instruction manual and retain for future use.
--	----------------------	---	---

Merci d'avoir acheté un produit d'Active Era. Veuillez lire attentivement et entièrement ce mode d'emploi avant la première utilisation et le conserver en lieu sûr pour référence ultérieure.

INSTRUCTIONS IMPORTANTES

VEUILLEZ LIRE ET CONSERVER CES CONSIGNES DE SÉCURITÉ

Avant d'utiliser un appareil électrique, veuillez à respecter les mesures de sécurité de base afin de réduire les risques d'incendie, d'électrocution et de blessure, notamment:

⚠ AVERTISSEMENT: Pour éviter tout risque d'électrocution, d'incendie ou de blessure, assurez-vous toujours que le produit est débranché de la prise électrique avant de le déplacer, de procéder à l'entretien ou de le nettoyer.

- Ne couvrez pas l'appareil en cours d'utilisation.
- Utiliser uniquement comme décrit dans le présent mode d'emploi. Toute autre utilisation non recommandée par le fabricant peut provoquer un incendie, un risque d'électrocution ou de blessures.
- Débranchez toujours l'appareil lorsqu'il n'est pas utilisé.
- Gardez l'appareil hors de portée des enfants et des animaux domestiques.
- Ne pas laisser un enfant seul ou sans surveillance dans la zone où le produit est utilisé.
- Surveillez les enfants pour éviter qu'ils ne jouent avec l'appareil.
- Le nettoyage et l'entretien ne doivent en aucun cas être confiés à des enfants, à moins d'être surveillés en permanence.
- Cet appareil ne peut être utilisé par des personnes (y compris des enfants) aux capacités physiques, sensorielles ou mentales réduites, ou manquant d'expérience et de connaissances, à moins qu'elles n'aient été supervisées ou formées à l'utilisation du produit par une personne responsable de leur sécurité.

- Veillez à respecter un dégagement minimum de 50cm sur tous les côtés de l'appareil.
- Ne laissez jamais le produit sans surveillance pendant son utilisation. Éteignez toujours le produit et débranchez-le de l'alimentation électrique lorsqu'il n'est pas utilisé.
- Ne pas glisser le câble sous la moquette ou un tapis. Ne pas recouvrir le câble avec un tapis, des patins ou autres revêtements similaires. Ne pas glisser le câble sous un meuble ou un appareil électroménager. Éloigner le câble de la zone de passage et éviter tout risque de trébuchement.
- Placez l'appareil sur une surface plane, stable et sèche et maintenez-le à la verticale. L'utilisation de l'appareil dans une autre position peut s'avérer dangereuse.
- Ne posez jamais aucun objet sur l'appareil.
- Assurez-vous que l'alimentation secteur (y compris la tension, la fréquence et l'alimentation) est conforme à la plaque signalétique de le produit.
- Une odeur pourrait se dégager au cours des premières minutes d'utilisation. C'est normal et disparaîtra rapidement.
- Ne couvrez pas, ne bloquez pas ou ne poussez pas d'objets dans les événements ni dans les orifices de l'appareil. Vous risqueriez ainsi de provoquer un risque d'électrocution, un incendie ou d'endommager l'appareil..
- N'utilisez pas le produit avec les mains mouillées.
- N'utilisez pas ce produit à proximité d'un point d'eau, d'une baignoire, d'une douche ou d'une piscine. Ne placez jamais le produit où il pourrait tomber dans une baignoire ou un autre récipient contenant de l'eau.
- L'appareil est destiné à un usage domestique intérieur et autres applications similaires. Ne pas utiliser à l'extérieur.
- N'utilisez pas l'appareil à proximité d'essence, de gaz inflammables, de fours ou d'autres sources de chaleur.
- Le câble d'alimentation ne doit pas pendre de la surface sur laquelle l'appareil est placé afin d'éviter tout risque de chute.
- Pour éviter une surcharge du circuit lors de l'utilisation de ce

produit, ne faites pas fonctionner un autre appareil de forte puissance sur le même circuit électrique.

- Branchez toujours le produit directement sur une prise murale. Évitez d'utiliser des rallonges, car elles pourraient surchauffer et constituer un risque d'incendie.
- N'utilisez pas ce produit avec un programmateur externe, un temporisateur ou tout autre dispositif qui l'activerait automatiquement à moins que celui-ci n'ait été préalablement intégré par le fabricant.
- Ne tirez pas sur le cordon d'alimentation pour arrêter l'appareil. Ne pas déplacer, ne pas transporter, ne jamais suspendre l'appareil par le câble d'alimentation.
- Ne pas plier ni enrouler le cordon d'alimentation et la fiche autour de l'appareil, car cela pourrait fragiliser ou fissurer l'isolant, en particulier à la jonction avec le dispositif.
- Vérifiez que le câble d'alimentation est bien tendu avant l'utilisation et veillez à éviter tout contact avec le produit.
- Ne pas utiliser l'appareil si les dispositifs de sécurité ont été retirés.
- N'utilisez pas l'appareil ou ses accessoires si vous constatez des signes de dommages.
- Ne tentez pas de réparer ou d'ajuster des éléments électriques ou mécaniques dans le produit. Cela pourrait être dangereux et annulerait votre garantie.
- L'appareil ne doit être utilisé qu'avec l'adaptateur secteur fourni. Ne pas utiliser d'autres chargeurs ou adaptateurs secteur qui risqueraient d'endommager le produit.
- Usage domestique uniquement.
- Ne pas utiliser l'appareil sans le filtre à air.
- Ne pas utiliser ni exposer la pompe à air à des environnements humides tels que la pluie ou l'eau.
- Ne jamais insérer les doigts ou des objets métalliques dans les orifices d'aspiration et d'évacuation de la pompe à air.
- Ne pas obstruer l'ouverture du passage d'air ni insérer d'objets dans l'orifice du passage d'air.

- Ne pas mouiller la surface floquée. S'il est mouillé, retirer les draps ou le linge, et laisser sécher à l'air libre.
- Ne pas utiliser la pompe à air pendant plus de 5 minutes consécutives. Laissez la pompe à air refroidir pendant 20 minutes avant chaque utilisation répétée. La pompe à air est conçue pour gonfler entièrement votre matelas gonflable en 2 à 3 minutes. La pompe s'arrête automatiquement en cas de surchauffe, et ce pour votre sécurité.
- Ne jamais insérer de substance inflammable dans le matelas gonflable, comme des produits de réparation de pneus en aérosol, car elle pourrait s'enflammer ou exploser.



⚠ AVERTISSEMENT: RISQUE D'ÉTOUFFEMENT.

- Des nourrissons se sont étouffés sur des matelas pneumatiques gonflables. Ne faites jamais dormir un enfant âgé de moins de 15 mois sur ce matelas gonflable. Les nourrissons peuvent suffoquer sur un matelas pneumatique sous-gonflé ou dégonflé, sur les draps, en dormant avec une autre personne et en se retrouvant coincés entre le matelas pneumatique et une surface verticale. Les enfants peuvent se retrouver coincés entre le matelas et une surface verticale adjacente. Prévoyez un espace d'au moins la largeur des épaules entre le matelas gonflable et les surfaces verticales adjacentes telles que les murs, les commodes ou d'autres objets. Le matelas gonflable doit rester entièrement gonflé lorsqu'il est utilisé.
- Ne tentez pas de réparer ou d'ajuster des éléments électriques ou mécaniques dans l'appareil. Cela pourrait être dangereux et annulerait votre garantie.
- Utiliser le matelas gonflable uniquement à cette fin. Ne marchez pas, ne vous tenez pas debout, ne sautez pas et n'utilisez pas le matelas pneumatique comme trampoline.
- Éviter de vous endormir sur le bord du matelas gonflable. Les bords garantissent moins de soutien que le milieu du matelas.
- Ce matelas gonflable n'est pas un dispositif ou une bouée de sauvetage. Ne pas utiliser sur ou à proximité de l'eau.
- Ne pas installer le matelas à près d'escaliers, de portes,

d'arêtes vives ou d'objets cassables. Prévoir un espace suffisant entre le matelas et les objets pour éviter qu'ils ne se retrouvent coincés. Vérifier que la surface de support est plate, lisse, régulière et exempte d'objets pointus qui pourraient perforer le matelas.

- Éloigner les animaux domestiques du matelas gonflable. Ils pourraient en percer la surface.
- Vérifier que les orifices d'aspiration et d'évacuation de la pompe à air sont exempts de poussière et de débris.

CONSERVEZ CES INSTRUCTIONS!

SPÉCIFICATIONS

Dimensions du produit AB-Q2: 80" x 60" x 20" | AB-S2: 75" x 39" x 21"

Poids AB-Q2: 23 lbs | AB-S2: 14 lbs

Puissance: 1,5A

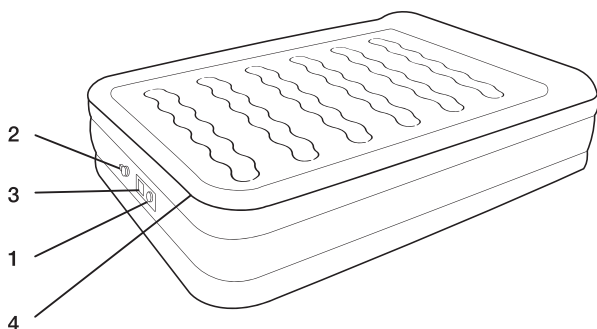
Alimentation: AC 110V - 120V

Fréquence: 60Hz

MODE D'EMPLOI

Les pièces

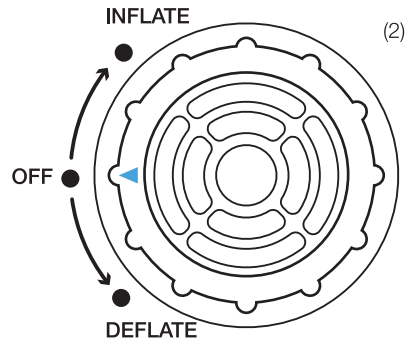
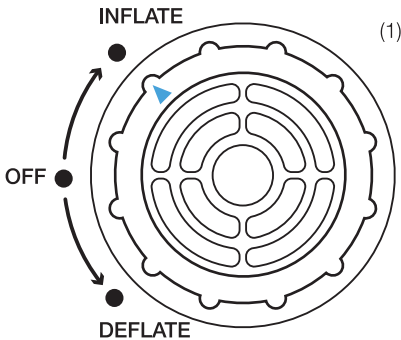
1. Cadran de contrôle
2. Valve manuelle
3. Cordon d'alimentation couvercle du compartiment
4. Matelas pneumatique



Gonflage

1. Choisissez une surface intérieure plane suffisamment grande pour accueillir le matelas gonflé
2. Retirez tous les objets tranchants ou pointus sur ou près de la surface
3. Étalez le matelas gonflable de façon à ce que la surface inférieure touche le sol
4. Ouvrez le couvercle en haut du matelas où le câble d'alimentation est stocké
5. Assurez-vous que la valve de gonflage manuel est fermée
6. Branchez le câble d'alimentation à une prise électrique

7. Tournez la molette de commande dans le sens horaire jusqu'à ce que la flèche pointe sur GONFLER (INFLATE) (1)
8. Le matelas gonflable une personne va prendre jusqu'à 1,5 minute pour se gonfler. Le matelas gonflable deux personnes peut prendre jusqu'à 3 minutes pour se gonfler
9. Lorsque le matelas est entièrement gonflé, tournez la molette de commande d'un cran dans le sens antihoraire jusqu'à ce que la flèche pointe sur OFF (2)
10. Allongez-vous sur le matelas pour tester la fermeté. S'il est trop mou, répétez les étapes 7-9 si nécessaire
11. Débranchez le câble et rangez-le dans le compartiment du cordon d'alimentation

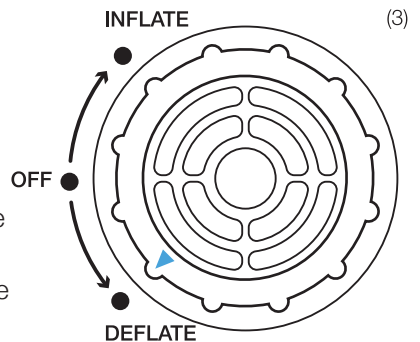


Option de gonflage

Si une alimentation électrique n'est pas disponible, une pompe à pied ou manuelle classique peut être connectée au matelas gonflable.

Dégonflage

1. Ouvrez le couvercle en haut du matelas où le câble d'alimentation est stocké
2. Assurez-vous que la valve de gonflage manuel est fermée
3. Branchez le câble d'alimentation à une prise électrique
4. Tournez la molette de commande antihoraire jusqu'à ce que la flèche pointe sur DÉGONFLER (DEFLATE)

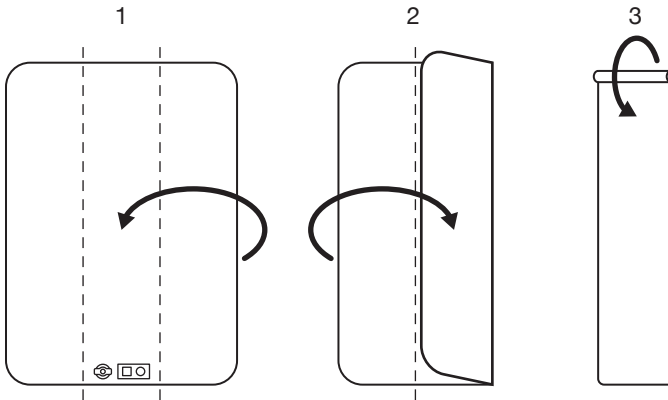


5. Le matelas gonflable va prendre jusqu'à 3 minutes pour se dégonfler
6. Lorsque le matelas est complètement dégonflé, tournez la molette de commande d'un cran dans le sens horaire jusqu'à ce que la flèche pointe sur OFF

7. Débranchez le câble et rangez-le dans le compartiment du cordon d'alimentation

Instructions de pliage

1. Placez le sac de transport à l'extrémité du matelas près de la valve de déflation (assurez-vous que la valve de déflation est ouverte). Le sac de transport servira comme un outil de mesure approximative pour plier le matelas pneumatique.
2. Pliez le matelas pneumatique en tiers, de manière plus étroite que la largeur du sac de transport.
3. Enroulez soigneusement le matelas, refermez la valve de déflation et rangez-le dans la sac de transport.



QUESTIONS FRÉQUEMMENT POSÉES

Pourquoi mon matelas gonflable se dégonfle-t-il?

Plusieurs raisons pourraient justifier la perte d'air de votre matelas gonflable:

- **Premières utilisations:** Au cours des premières utilisations, votre matelas gonflable Active Era peut s'affaisser et nécessiter un gonflage supplémentaire pour rester ferme. En effet, ce phénomène est caractéristique du vinyle neuf et tout à fait normal au cours des premiers jours d'utilisation. Gonfler le matelas gonflable au moins 30 minutes avant la première utilisation et faire l'appoint si nécessaire pour lui permettre de prendre sa forme naturelle.
- **Utilisation normale:** Tous les matelas gonflables sont conçus pour perdre une faible quantité d'air au travers de leurs coutures pendant l'utilisation, et ce, afin

de limiter le risque de déchirure et d'éclatement lors de l'ajout de pression et de prévenir un remplissage excessif.

- **Augmentation de la pression:** Votre matelas gonflable peut se dégonfler, car la limite de poids est supérieure à la norme. La limite de poids pour la plupart de nos matelas gonflables correspond à 250 kg, ou 550 lb. Veuillez consulter la page du produit ou les caractéristiques techniques de votre manuel d'instructions pour connaître les limites de poids spécifiques au produit.
- **Températures variables:** L'air à l'intérieur du matelas gonflable peut se dilater ou se contracter s'il est exposé à des températures élevées ou basses. Sous de faibles températures, l'air se contracte naturellement à l'intérieur du matelas, et peut entraîner un affaissement. En cas de dégonflement, regonflez un peu plus le matelas. Sous des températures élevées, l'air peut se dilater à l'intérieur du matelas, ce qui le fait durcir, et peut même, dans des circonstances extrêmes, le faire éclater. Libérez l'air pour éviter d'endommager votre matelas gonflable. Dans la mesure du possible, essayez de maintenir une température ambiante constante pendant l'utilisation.
- **Crevaision:** Votre matelas gonflable peut se dégonfler s'il est troué.

Comment repérer le point de crevaision?

Pour retrouver le point de perforation, veuillez suivre les étapes suivantes:

1. Remplissez un vaporisateur d'eau savonneuse, par exemple du liquide vaisselle.
2. Gonflez complètement votre matelas gonflable et débranchez le cordon d'alimentation du réseau électrique.
3. Vaporisez la surface du matelas gonflable gonflé en évitant la pompe à air et les composants électriques.
4. Inspectez visuellement le matelas. En cas de crevaision, des bulles commenceront à se former au niveau de la perforation une fois que l'air commencera à s'échapper.
5. Essuyer le matelas avec un chiffon doux et sec.
6. Réparer à l'aide du kit de réparation fourni.

STOCKAGE

1. Dégonflez le matelas gonflable suivant les instructions de « dégonflage ».
2. Assurez-vous que le matelas est propre et sec.
3. Placez le matelas à plat de façon à ce que la surface de couchage soit vers le haut. Pliez le matelas de manière lâche en évitant de créer des plis trop serrés

qui pourraient l'endommager.

4. Stockez le matelas dans un emplacement de stockage sec et frais.

NETTOYAGE ET RANGEMENT

⚠ AVERTISSEMENT: Toujours éteindre l'appareil, débrancher la prise avant de toute manipulation ou nettoyage.

⚠ ATTENTION: Ne laissez pas l'eau ou d'autres liquides pénétrer dans les composants électriques du produit, car cela pourrait endommager l'électronique interne et créer un risque d'électrocution.

⚠ ATTENTION: Ne pas essuyer ou laver avec des solvants chimiques. Cela endommagerait le produit.

- N'essayez pas de nettoyer le produit d'une manière autre que celle décrite par le fabricant.
- Nettoyez la surface extérieure de l'appareil en l'essuyant avec un chiffon doux et humide. Séchez l'appareil avec un chiffon doux et propre.
- Nettoyez régulièrement les événements et les ouvertures de l'appareil avec un aspirateur, en utilisant la brosse pour éviter toute accumulation de poussière.
- Pour ranger votre produit, utilisez la boîte d'origine ou tout contenant de taille similaire.
- Rangez l'appareil dans un endroit sûr, propre et sec, hors de portée des enfants lorsqu'il n'est pas utilisé.
- Pour prolonger la durée de vie du filtre, utilisez un aspirateur muni d'une brosse, pour éliminer la poussière de la surface du filtre.

REMARQUE IMPORTANTE

Les températures ambiantes de l'air ont un effet sur la pression interne du matelas gonflable. À basse température, l'air va se contracter dans le matelas gonflable et il sera plus mou: ajoutez de l'air si besoin. À température ambiante élevée, l'air dans le matelas gonflable augmentera de manière significative et le matelas se durcira et pourra éclater: libérez de l'air pour éviter d'endommager le matelas ou pour le rendre plus mou. Ne pas exposer le matelas gonflable à des températures extrêmes.

L'air à l'intérieur du matelas peut se dilater et se contracter au fur et à mesure des variations de température conduisant à une réduction de la pression à l'intérieur du matelas. Si cela se produit, il suffit d'ajouter plus d'air grâce à la pompe pour obtenir la fermeté désirée.

L'étirement est une caractéristique naturelle du nouveau vinyle. Au cours de la première utilisation, le matelas peut se ramollir et nécessiter un gonflage

supplémentaire pour maintenir la fermeté désirée. Ceci est normal durant les premiers jours d'utilisation.

En aucun cas, Active Era ne peut être tenu responsable des dommages causés au matelas gonflable par la négligence, l'usure normale, l'abus et la négligence ou des forces extérieures.

DÉCLARATION FCC

FC Cet appareil est conforme au paragraphe 15 des Règlements FCC. Son fonctionnement est soumis aux deux conditions suivantes: (1) Cet appareil ne doit pas causer d'interférences nuisibles, et (2) cet appareil doit accepter toute interférence reçue, y compris les interférences susceptibles de provoquer un fonctionnement indésirable. Avertissement: Les changements ou modifications non expressément approuvés par la partie responsable de la conformité peuvent annuler le droit de l'utilisateur à utiliser l'appareil.

Cet appareil a été testé et jugé conforme aux limites applicables aux appareils numériques de classe B, conformément au paragraphe 15 des règles de la FCC. Ces limites sont conçues pour assurer une protection raisonnable contre les interférences nuisibles dans une installation résidentielle. Ce dispositif génère, utilise et peut émettre de l'énergie de radiofréquence et, s'il n'est pas installé et utilisé conformément aux instructions, il peut causer des interférences nuisibles aux communications radio. Toutefois, il n'y a aucune garantie que des interférences ne se produiront pas dans une installation particulière. Si ce dispositif cause des interférences nuisibles à la réception de la radio ou de la télévision, ce qui peut être déterminé en allumant et en éteignant le dispositif, l'utilisateur est invité à essayer de corriger l'interférence par une ou plusieurs des mesures suivantes:

- Réorientez ou déplacez l'antenne de réception.
- Augmentez la séparation entre l'appareil et le récepteur.
- Connectez l'appareil à une prise sur un circuit différent de celui sur lequel le récepteur est connecté.
- Consultez le revendeur ou un technicien radio/TV expérimenté pour obtenir de l'aide.

DÉCLARATION D'ISDE CANADA

IC Cet appareil est conforme aux normes RSS exemptes de licence ISED Canada. Son fonctionnement est soumis aux deux conditions suivantes: (1) Cet appareil ne doit pas causer d'interférences nuisibles, et (2) cet appareil doit accepter toute interférence reçue, y compris les interférences susceptibles de provoquer un fonctionnement indésirable.

Cet appareil est conforme aux normes RSS exemptes de licence ISED Canada. Son fonctionnement est soumis aux deux conditions suivantes: (1) l'appareil ne doit pas causer d'interférences, et (2) l'appareil doit accepter toute interférence radio reçue, même si l'interférence est susceptible de compromettre le fonctionnement.

RECYCLAGE ET MISE AU REBUT

Les produits électriques et électroniques (DEEE), les batteries (piles), les accumulateurs et les emballages ne doivent pas être jetés avec les déchets ménagers ordinaires. Ceci afin d'éviter de porter préjudice à l'environnement et au bien-être humain et de contribuer à la conservation de nos ressources naturelles. La plupart des produits électriques munis d'une fiche, d'une batterie ou d'un câble peuvent être recyclés. Contactez votre municipalité/commune, le service d'élimination des déchets ménagers ou la boutique où vous avez acheté le produit pour obtenir des informations sur les programmes de collecte dans votre région.



Déchets d'équipements électriques et électroniques (DEEE)

Ce symbole sur le produit et/ou l'emballage indique que les déchets d'équipements électriques et électroniques (DEEE), conformément à la directive 2012/19/UE qui régit les appareils électriques et électroniques usagés, ne doivent pas être jetés avec les déchets ménagers généraux.



La boucle de Mobius

Ce symbole indique que le produit ou l'emballage est recyclable.

Programme de reprise

Les déchets de produits électriques (DEEE) peuvent être envoyés à One Retail Group pour recyclage et élimination lorsque vous achetez un nouveau produit auprès de One Retail Group, sur un achat de valeur comparable. Pour plus d'informations sur la façon de recycler ce produit, veuillez visiter www.activeera.com

L'utilisateur final des produits électriques et électroniques (DEEE) est responsable de la séparation des piles et des ampoules usagées avant qu'elles ne soient remises à un service d'élimination et de recyclage désigné. Les piles et batteries usagées peuvent également être jetées dans les bacs de collecte, que l'on trouve dans la plupart des supermarchés locaux et dans les centres de recyclage des déchets ménagers.

SYMBOLES EXPLIQUÉS

	Pour une utilisation en intérieur.		Veuillez lire le manuel d'instructions et le conserver pour une utilisation future.
--	------------------------------------	---	---

Gracias por adquirir un producto de Active Era. Lea detenidamente el manual en su totalidad antes de usar el artículo por primera vez y guárdelo en un lugar seguro para consultarlo en el futuro.

INSTRUCCIONES IMPORTANTES

POR FAVOR LEA Y CONSERVE ESTAS INSTRUCCIONES DE SEGURIDAD

Al utilizar aparatos eléctricos, siempre se deben seguir las precauciones básicas de seguridad para reducir el riesgo de incendio, descarga eléctrica y lesiones a las personas, incluidas las siguientes:

⚠ ADVERTENCIA: Para evitar el riesgo de descargas eléctricas, incendios o lesiones a las personas, asegúrese siempre de que el aparato esté desenchufado del enchufe antes de reubicarlo, repararlo o limpiarlo.

- No cubra el aparato mientras esté en uso.
- Utilice este aparato únicamente como se describe en este manual. Cualquier otro uso no recomendado por el fabricante puede provocar incendios, descargas eléctricas o lesiones a las personas.
- Desenchufe siempre el aparato cuando no esté en uso.
- Mantenga el aparato fuera del alcance de los niños y las mascotas.
- No deje a los niños solos o desatendidos en el área donde se usa el aparato.
- Los niños deben ser supervisados para asegurarse de que no jueguen con el aparato.
- Los niños no deben realizar la limpieza ni el mantenimiento a menos que estén supervisados continuamente.
- Este aparato no está destinado a ser utilizado por personas (incluidos los niños) con capacidades físicas, sensoriales o

mentales reducidas, o con falta de experiencia y conocimientos, a menos que hayan recibido supervisión o instrucciones sobre el uso del aparato por parte de una persona responsable de su seguridad.

- El aparato debe tener un espacio libre mínimo de 50cm alrededor de todos sus lados.
- Nunca deje el aparato desatendido mientras está en uso. Siempre apague el aparato y desconéctelo de la fuente de alimentación cuando no esté en uso.
- No pase el cable debajo de una alfombra. No cubra el cable con alfombras, tapetes o revestimientos similares. No coloque el cable debajo de muebles o electrodomésticos. Coloque el cable lejos del área de tráfico y donde no se pueda tropezar.
- Coloque el aparato sobre una superficie plana, estable y seca y mantenga siempre el aparato en posición vertical. Manejar el aparato en cualquier otra posición podría causar un peligro.
- Nunca coloque nada encima del aparato.
- Asegúrese de que el suministro eléctrico (incluido el voltaje, la frecuencia y la alimentación) cumpla con la etiqueta de clasificación del aparato.
- Puede haber algo de olor durante los primeros minutos de uso inicial. Esto es normal y desaparecerá rápidamente.
- No cubra, obstruya ni introduzca objetos en las rejillas de ventilación y la apertura de los aparatos, ya que esto puede provocar una descarga eléctrica, un incendio o dañar el aparato.
- No maneje el aparato con las manos mojadas.
- No utilice este aparato cerca del agua o en las inmediaciones de un baño, una ducha o una piscina. Nunca coloque el aparato donde pueda caer en una bañera u otro recipiente con agua.
- Este aparato está diseñado para uso doméstico en interiores y aplicaciones similares. No lo use al aire libre.
- No utilice el aparato cerca de gasolina, pinturas, gases inflamables, hornos u otras fuentes de calor.

- El cable de alimentación no debe colgar de la superficie sobre la que está colocado el aparato para evitar que se tire de él hacia abajo.
- Para evitar una sobrecarga del circuito al usar este aparato, no haga funcionar otro electrodoméstico de alta tensión en el mismo circuito eléctrico.
- Conecte siempre el aparato directamente a una toma de corriente. Evite el uso de cables de extensión siempre que sea posible, ya que pueden sobrecalentarse y provocar un riesgo de incendio.
- No utilice este aparato con un programador externo, un temporizador o cualquier otro dispositivo que encienda el aparato automáticamente, a menos que el fabricante lo haya incorporado previamente al aparato.
- No tire del cable de alimentación. Nunca mueva, transporte o cuelgue el aparato del cable de red.
- No retuerza ni enrolle el cable de alimentación y el enchufe alrededor del aparato, ya que esto puede hacer que el aislamiento se debilite o se parta, especialmente donde entra al aparato.
- Asegúrese de que el cable de alimentación esté completamente extendido antes de su uso y colóquelo de manera que no esté en contacto con ninguna pieza del aparato.
- No maneje el aparato sin las protecciones de seguridad.
- No utilice el aparato si hay signos de daños en el aparato o los accesorios suministrados.
- No intente reparar ni ajustar ningún elemento eléctrico o mecánico del aparato. Hacerlo puede no resultar seguro y anulará la garantía.
- El aparato solo debe utilizarse con el adaptador de corriente suministrado. No utilice otros cargadores o adaptadores de corriente, ya que esto puede dañar el producto.
- Solo para uso doméstico.
- No maneje el aparato sin el filtro de aire
- No maneje ni exponga la bomba de aire a ambientes húmedos

como lluvia o agua.

- Nunca inserte los dedos u objetos metálicos en las aberturas de succión y escape de la bomba de aire.
- No obstruya la abertura del paso de aire ni inserte ningún objeto en la abertura del paso de aire.
- No permita que la superficie flocada se moje. Si se moja, retire las sábanas o los paños y deje secar al aire.
- No utilice la bomba de aire durante más de 5 minutos consecutivos a la vez. Deje que la bomba de aire se enfríe durante 20 minutos antes de cada uso. La bomba de aire está diseñada para inflar completamente su colchón de aire en 2-3 minutos. La bomba se apagará automáticamente si se produce un sobrecalentamiento. Esto está diseñado para su seguridad.
- No introduzca nunca ninguna sustancia inflamable en la cama de aire inflable, como productos de reparación de neumáticos en aerosol, ya que podría inflamarse o explotar.



⚠ ADVERTENCIA: RIESGO DE ASFIXIA. Los bebés se han asfixiado en camas de aire inflables. Nunca coloque a un bebé desde el nacimiento hasta los 15 meses a dormir en esta cama de aire inflable. Los niños pueden asfixiarse en una cama

de aire poco inflada o desinflada, en la ropa de cama, por dormir junto a otra persona y por quedar atrapados entre la cama de aire y una superficie vertical. Los niños pueden quedar atrapados entre la cama de aire inflable y una superficie vertical adyacente. Deje un espacio de al menos el ancho de los hombros entre la cama de aire inflable y las superficies verticales adyacentes, como paredes, aparadores u otros objetos. Mantenga siempre la cama de aire inflable completamente inflada cuando la utilice.

- No intente reparar ni ajustar ningún elemento eléctrico o mecánico del aparato. Hacerlo puede no resultar seguro y anulará la garantía.
- Utilice la cama de aire solo como colchón. No camine, se pare, salte ni use la cama de aire como trampolín.
- Evite dormir en el borde de la cama de aire. Los bordes

producen menos apoyo que la mitad de la cama de aire.

- Esta cama de aire no es una ayuda a la flotabilidad, un salvavidas o un dispositivo para salvar vidas. No lo use sobre o cerca del agua.
- No instale la cama de aire cerca de escaleras, puertas, bordes afilados u objetos frágiles. Deje un espacio adecuado entre la cama de aire y los objetos para evitar que queden atrapados. Asegúrese de que el área sea plana, lisa, uniforme y libre de 3 objetos afilados que puedan perforar la cama de aire.
- Mantenga a las mascotas alejadas de la cama de aire. Las mascotas pueden perforar la superficie de la cama de aire.
- Asegúrese de que las aberturas de succión y escape de la bomba de aire permanezcan libres de polvo y escombros.

¡CONSERVE ESTAS INSTRUCCIONES!

CARACTERÍSTICAS

Dimensiones AB-Q2: 80" x 60" x 20" | AB-S2: 75" x 39" x 21"

Peso AB-Q2: 23 lbs | AB-S2: 14 lbs

Potencia: 1,5A

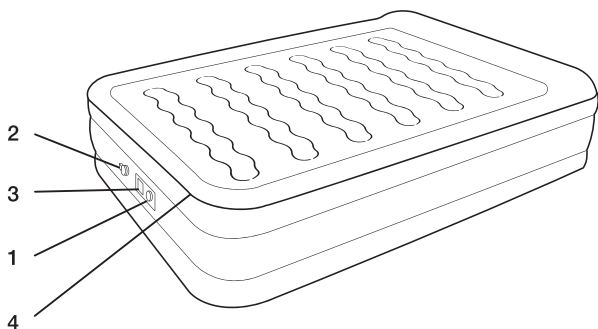
Voltaje: AC 110V - 120V

Frecuencia: 60Hz

INSTRUCCIONES DE USO

Piezas

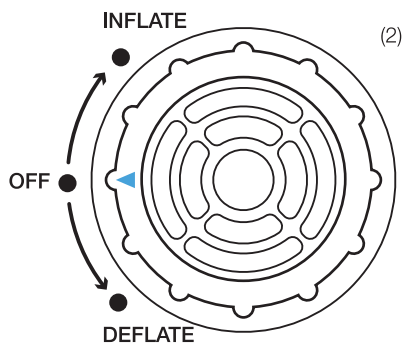
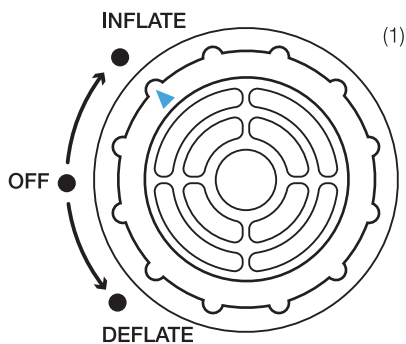
1. Mando de control
2. Válvula (de inflado) manual
3. Compartimiento del cable de alimentación
4. Colchón hinchable



Para inflar

1. Elija una superficie plana en el interior lo suficientemente grande como para dar cabida al colchón hinchable

2. Quite los objetos afilados o puntiagudos que estén en la superficie o cerca
3. Coloque el colchón hinchable con la superficie inferior tocando el suelo
4. Abra la tapa en la parte superior del colchón donde se almacena el cable de alimentación
5. Asegúrese de que la válvula de inflado manual esté cerrada
6. Enchufe el cable de alimentación a una toma de corriente
7. Gire el mando de control hacia la derecha hasta que la flecha señale INFLAR (1)
8. Un colchón hinchable tardará un máximo de 1,5 minutos en inflarse. El colchón de tamaño de matrimonio tardará un máximo de 3 minutos en inflarse
9. Cuando el colchón hinchable esté completamente inflado, gire el mando de control en sentido anti-horario hasta que la flecha señale OFF (2)
10. Túmbese en el colchón hinchable para comprobar su firmeza. Si está demasiado blando, repita los pasos 7 - 9 cuando sea necesario
11. Desconecte el cable y guarde en el compartimiento del cable de alimentación

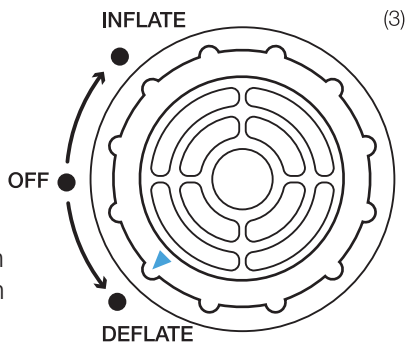


Opción alternativa para inflar

Si la energía eléctrica no está disponible, se puede usar una bomba de aire de pie o manual convencional para conectar al colchón hinchable.

Para desinflar

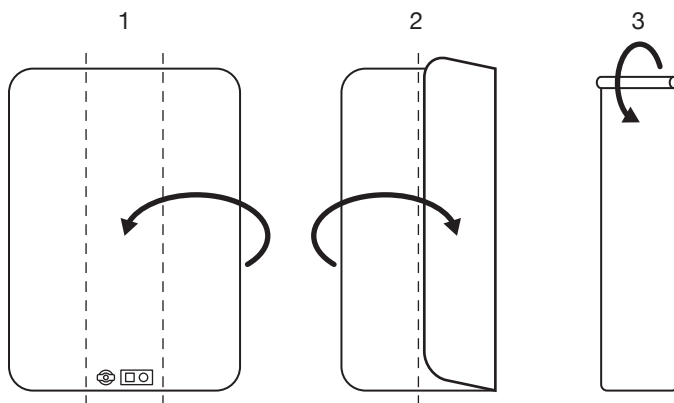
1. Abra la tapa en la parte superior del colchón donde se almacena el cable de alimentación
2. Asegúrese de que la válvula de inflado manual esté cerrada
3. Enchufe el cable de alimentación a una toma de corriente
4. Gire el mando de control hacia la izquierda hasta que la flecha señale DESINFLAR (3)



5. El colchón hinchable tardará un máximo de 3 minutos en desinflarse
6. Cuando el colchón hinchable esté completamente desinflado, gire el mando de control en sentido anti-horario hasta que la flecha señale OFF
7. Desconecte el cable y guarde en el compartimiento del cable de alimentación

Instrucciones de plegado

1. Coloca la bolsa de transporte al final del colchón cerca de la válvula de desinflado (asegúrate de que la válvula de desinflado esté abierta). La bolsa de transporte servirá como una herramienta de medición aproximada para doblar la cama de aire.
2. Dobra la cama de aire en tercios que sean más estrechos que el ancho de la bolsa de transporte.
3. Enrolla cuidadosamente el colchón, vuelve a cerrar la válvula de desinflado y guárdalo en la bolsa de transporte.



PREGUNTAS FRECUENTES

¿Por qué se desinfla mi colchón de aire?

Hay algunas razones por las que su colchón de aire puede estar perdiendo aire:

- **Primeros usos:** Durante sus primeros usos, su cama de aire Active Era puede combarse y requerir un inflado adicional para mantener la firmeza deseada. Esto se debe a que el estiramiento es una característica natural del vinilo nuevo y es normal durante los primeros días de uso. Infle su colchón de aire al menos 30 minutos antes del primer uso y rellénelo según sea necesario para permitir que el colchón de aire se estire a su forma natural.

- **Uso normal:** Todas las camas de aire están diseñadas para perder una pequeña cantidad de aire a través de sus costuras durante el uso para reducir el riesgo de desgarros y estallar cuando se añade presión y para evitar un inflado excesivo.
- **Presión aumentada:** Es posible que su colchón de aire se desinfle porque se ha excedido el límite de peso. La mayoría de nuestras camas de aire tienen un límite de peso de 250kg. Consulte la página del producto o las especificaciones en su manual de instrucciones para conocer los límites de peso específicos del producto.
- **Temperaturas variables:** El aire dentro del colchón de aire puede expandirse o contraerse cuando se expone a temperaturas frías o calientes. A temperaturas frías, el aire se contrae naturalmente dentro del lecho de aire y puede provocar que se hunda. Si se desinfla, bombee un poco más de aire al colchón. A temperaturas altas, el aire puede expandirse dentro de la cama de aire y esta se endurecerá y en circunstancias extremas estallará. Libere el aire para evitar dañar su colchón de aire. Siempre que sea posible, intente mantener la temperatura ambiente constante durante el uso.
- **Punción:** Es posible que la cama de aire se desinfle porque tiene un pinchazo.

¿Cómo encuentro un pinchazo?

Para encontrar un pinchazo, siga estos pasos:

1. Llene una botella de spray con agua jabonosa, por ejemplo, detergente líquido.
2. Infle completamente su colchón de aire y desenchufe el cable de alimentación de la red eléctrica.
3. Rocíe la superficie del colchón de aire inflado evitando la bomba de aire y los componentes eléctricos.
4. Inspeccione visualmente la cama de aire. Si hay un pinchazo, comenzarán a formarse burbujas sobre el pinchazo a medida que el aire comience a filtrarse.
5. Seque la cama de aire con un paño suave y seco.
6. Repare su pinchazo con el kit de pinchazos provisto.

ALMACENAMIENTO

1. Desinfe el colchón hinchable siguiendo las instrucciones de “para desinflar”.
2. Asegúrese de que el colchón hinchable esté limpio y seco.
3. Coloque el colchón plano con la superficie para dormir boca arriba. Doble el colchón hinchable holgadamente y evite dobleces agudas, ángulos y pliegues

que puedan dañar el colchón.

4. Almacene el colchón hinchable en un lugar seco y fresco.

LIMPIEZA Y ALMACENAMIENTO

⚠ ADVERTENCIA: APAGUE siempre el aparato, desenchufe el cable de alimentación del enchufe antes de manipularlo o limpiarlo.

⚠ PRECAUCIÓN: No permita que el agua u otros líquidos entren en las partes eléctricas del aparato, ya que esto puede dañar la electrónica interna y crear un peligro eléctrico.

⚠ PRECAUCIÓN: No utilice limpiadores abrasivos ni disolventes, ya que dañarán el aparato.

- No intente limpiar el aparato de otra manera que no sea la detallada por el fabricante.
- Limpie la superficie exterior del aparato frotándolo con un paño suave y húmedo. Seque el aparato con un paño suave y limpio.
- Limpie las rejillas de ventilación y las aberturas del aparato con regularidad con una aspiradora, utilizando el accesorio de cepillo para evitar la acumulación de polvo.
- Para almacenar su producto, le recomendamos utilizar la caja original o una de tamaño similar.
- Guarde el aparato en un lugar seguro, limpio y seco, lejos de la luz solar directa y fuera del alcance de los niños cuando no lo utilice.
- Para extender la vida útil del filtro, se puede usar una aspiradora, usando el accesorio de cepillo para quitar el polvo de la superficie del filtro.

NOTA IMPORTANTE

La temperatura ambiente del aire tiene un efecto sobre la presión interna del colchón. A baja temperatura ambiente, el aire se contraerá dentro del colchón y se sentirá más blando, añada aire si es necesario. A temperatura ambiente elevada, el aire dentro del colchón se expandirá de manera significativa, por lo que el colchón se pondrá duro y podría explotar. Libere aire para evitar daños en el colchón o para hacerlo más blando. No exponga el colchón hinchable a temperaturas extremas.

El aire en el interior del colchón puede expandirse y contraerse con diferentes temperaturas que conducen a una presión reducida dentro del colchón. Si esto ocurre, basta con añadir más aire con la bomba hasta alcanzar la firmeza deseada.

El estiramiento es una característica natural del vinilo nuevo. Durante el uso inicial,

el colchón hinchable podría llegar a ser blando y requerir que se infle más para mantener la firmeza deseada. Esto es normal en los primeros días de uso.

En ningún caso, Active Era se hará responsable de los daños en el colchón hinchable causados por negligencia, desgaste normal, abuso y falta de cuidado o factores externos.

DÉCLARATION FCC

FC Este dispositivo cumple con la Sección 15 de las Reglas de la FCC. El manejo está sujeto a las siguientes dos condiciones: (1) Este dispositivo no puede provocar interferencias perjudiciales, y (2) este dispositivo debe aceptar cualquier interferencia recibida, incluidas las interferencias que pueden provocar un funcionamiento no deseado. Atención: Los cambios o modificaciones no aprobados expresamente por la parte responsable del cumplimiento podrían anular la autoridad del usuario para manejar el equipo.

Este equipo ha sido probado y cumple con los límites para un dispositivo digital de Clase B, de conformidad con la sección 15 de las Reglas de la FCC. Estos límites están diseñados para proporcionar una protección razonable contra interferencias perjudiciales en una instalación residencial. Este equipo genera, utiliza y puede irradiar energía de radiofrecuencia y, si no se instala y utiliza de acuerdo con las instrucciones, puede provocar interferencias perjudiciales en las comunicaciones de radio. Sin embargo, no hay garantía de que no se produzcan interferencias en una instalación en particular. Si este equipo causa interferencias perjudiciales en la recepción de radio o televisión, a algo que puede determinarse apagando y encendiendo el equipo, se recomienda al usuario que intente corregir la interferencia mediante una o más de las siguientes medidas:

- Reorientar o reubicar la antena receptora.
- Aumente la separación entre el equipo y el receptor.
- Conecte el equipo a una toma de corriente en un circuito diferente al que está conectado el receptor.
- Consulte al distribuidor o a un técnico experimentado de radio/TV para obtener ayuda.

DÉCLARATION D'ISDE CANADA

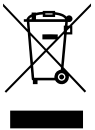
IC Este dispositivo cumple con los estándares RSS exentos de licencia de ISED Canadá. El funcionamiento está sujeto a las dos condiciones siguientes: (1) este dispositivo no puede provocar interferencias, y (2) este dispositivo debe aceptar cualquier interferencia, incluyendo las que puedan provocar un funcionamiento no deseado del dispositivo.

Este dispositivo cumple con los estándares RSS exentos de licencia de ISED

Canadá. El funcionamiento está sujeto a las dos condiciones siguientes: (1) el dispositivo no puede provocar interferencias, y (2) el dispositivo debe aceptar cualquier interferencia de radio recibida, incluso si la interferencia puede comprometer el funcionamiento.

RECICLAJE Y ELIMINACIÓN

Los residuos de aparatos eléctricos y electrónicos (RAEE), las baterías, los acumuladores y el embalaje no deben desecharse con la basura doméstica normal. Esto es para evitar posibles daños al medio ambiente y al bienestar humano y para ayudar a conservar nuestros recursos naturales. La mayoría de los productos eléctricos con enchufe, batería o cable se pueden reciclar. Póngase en contacto con su ayuntamiento, con el servicio de recogida de residuos domésticos o con la tienda donde compró el producto para obtener información sobre los sistemas de recogida de su zona.



Residuos de aparatos eléctricos y electrónicos (RAEE)

Este símbolo en el producto o en el embalaje indica que los Residuos de Aparatos Eléctricos (RAEE), según la Directiva 2012/19/UE que regula los aparatos eléctricos y electrónicos usados, no deben eliminarse con la basura doméstica general.



La banda de Möbius

Este símbolo indica que el producto o el embalaje pueden reciclarse.

El programa Take-Back

Los residuos de aparatos eléctricos (WEEE) se pueden enviar a One Retail Group para su reciclaje y desecho cuando compre un nuevo producto de One Retail Group, a modo de intercambio. Para obtener más información sobre cómo reciclar este producto, visite www.activeera.com

El usuario final de aparatos eléctricos y electrónicos (RAEE) es responsable de separar las pilas y las bombillas antiguas antes de entregarlas a un servicio de eliminación y reciclaje designado. Las pilas usadas también pueden depositarse en los contenedores de recogida, que pueden encontrarse en la mayoría de los supermercados locales y en los centros de reciclaje de residuos domésticos.

SÍMBOLO EXPLICACIÓN



Sólo para uso en interiores.



Lea el manual de instrucciones y consérvelo para uso futuro.



One Retail Group, Ryland House,
24a Ryland Road, London, NW5 3EH, United Kingdom

www.activeera.com

© Copyright 2024