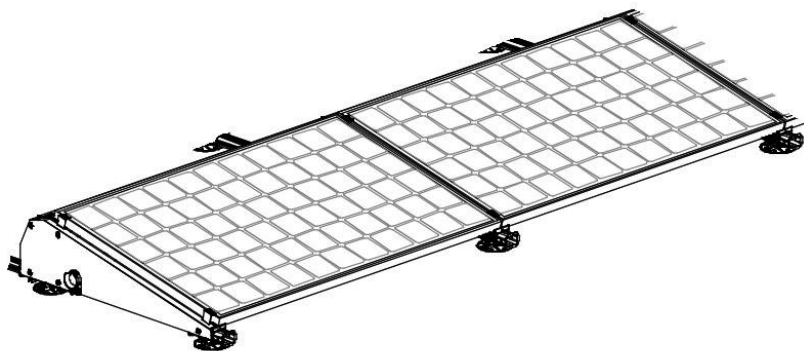


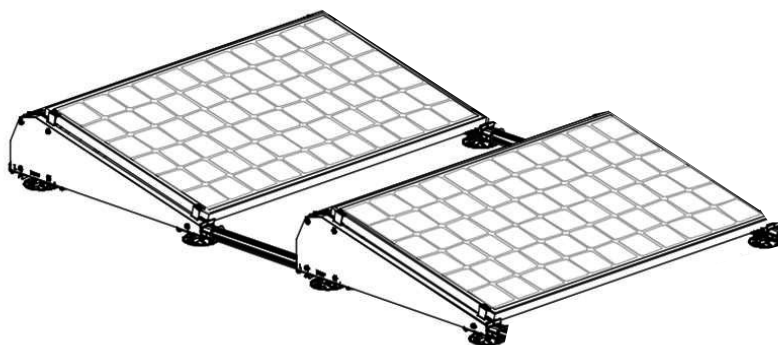
SOLARLEICHT

**solar
wing
set**

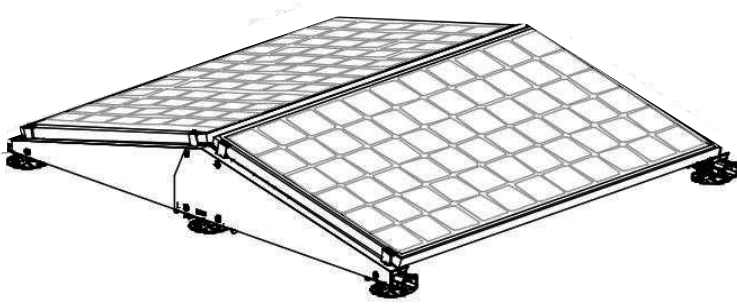
SLSWS-SBS



SLSWS-FTB




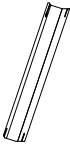







SLSWS-BTB



BAUTEILE

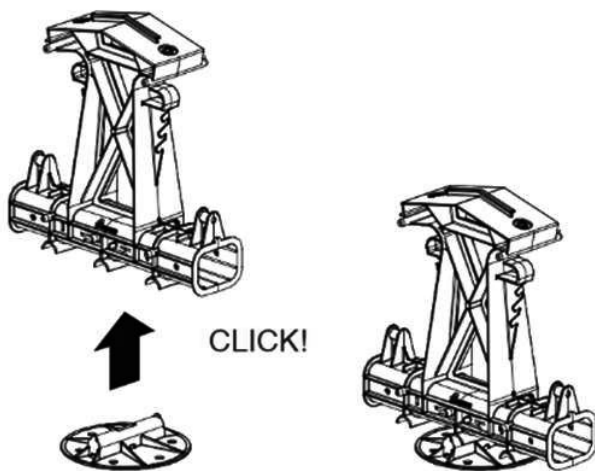
NAME	ID	SLSWS-SBS	SLSWS-BTB	SLSWS-FTB
Base Element High	100-7031	3	2	4
Base Element Low	100-7022	3	4	4
Roof Support	100-7012	6	6	8
Base Profile	100-7194	3	4	4
Base Profile	100-7175	0	0	2
Base Profile	100-7137	0	0	0
Ballast Holder	100-7210	2	1	2
Wind Deflector Right	100-7225	1	2	2



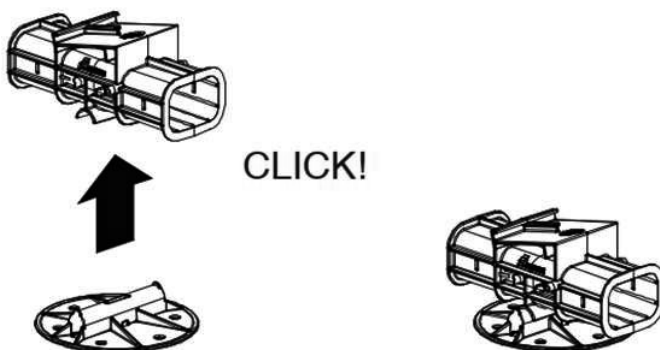
	Wind Deflector Left	100-7224	1	2	2
	Wind Deflector Back	100-7209	2	0	2
	End Clip	100-4335	4	8	8
	Centre Clip	100-3022	2	0	0
	Mounting Screw M6 x 12	100-0612	4	0	4
	Mounting Screw M6 x 25	100-8085	8	8	8
	Mounting Screw M6 x 55	100-0655	6	8	8
	Low Base Extension	100-7022 WP	4	4	4
	Cable Clip Inverter Ready	100-7041	2	2	2



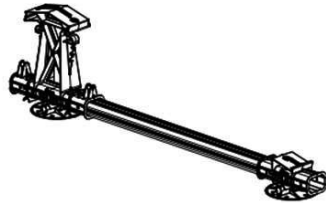
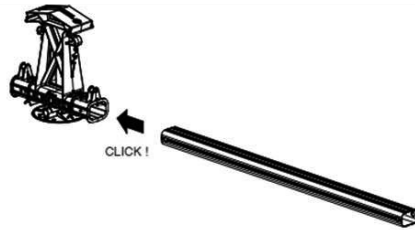
1.



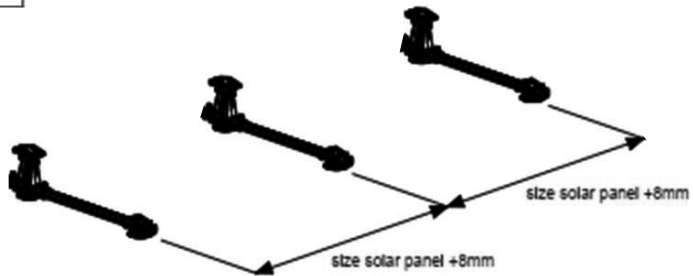
2.



3.

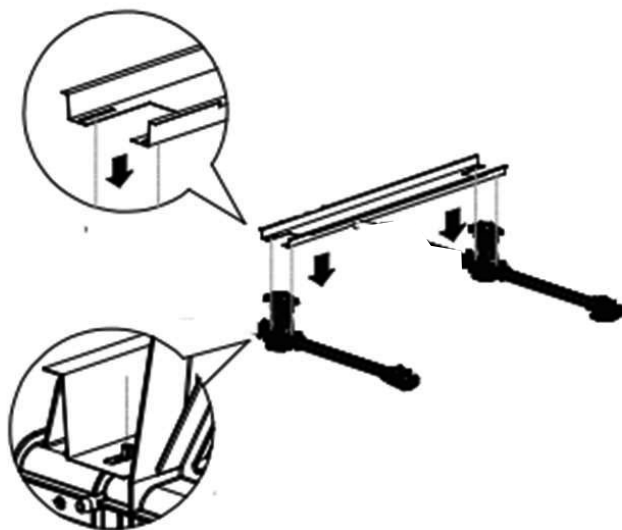


4.

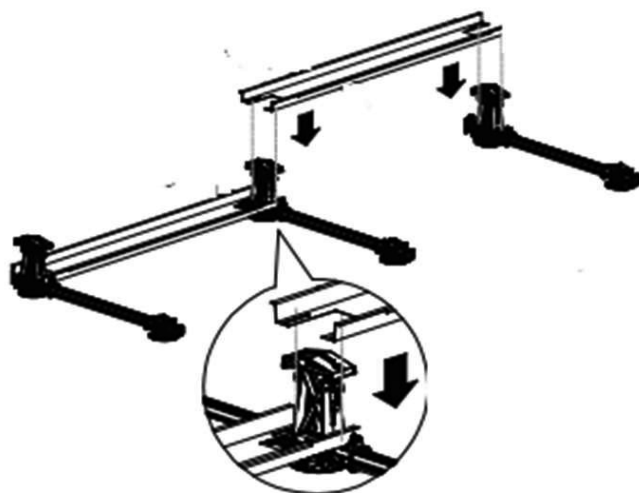




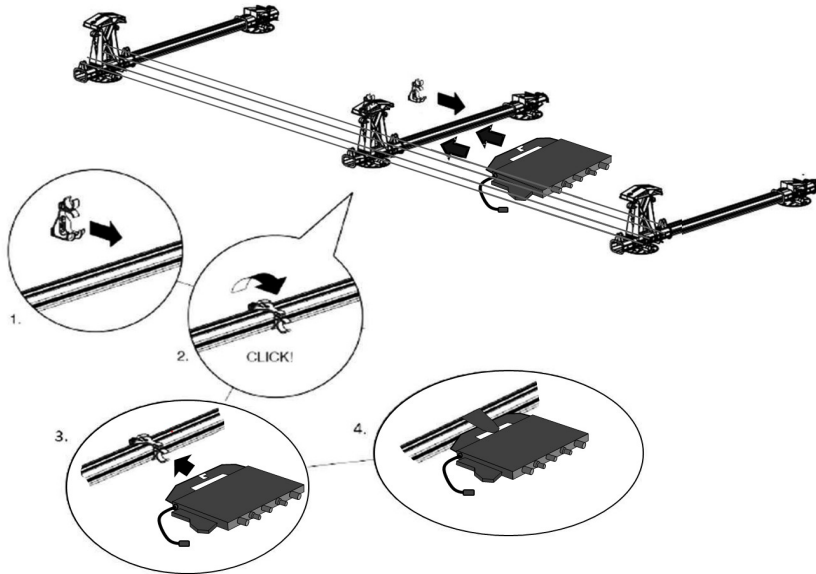
5.



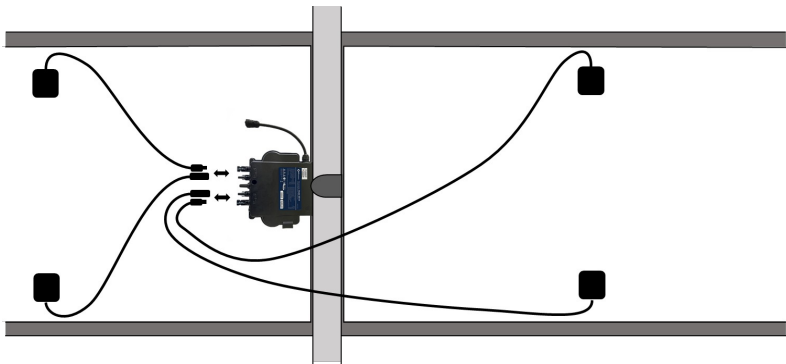
6.



7.

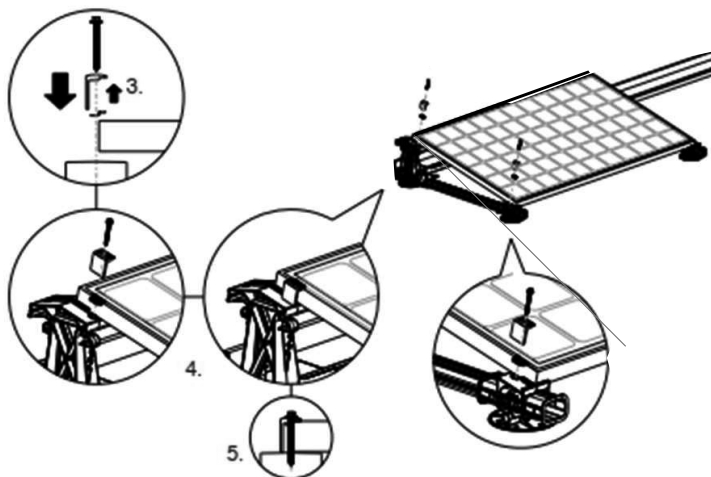


8.

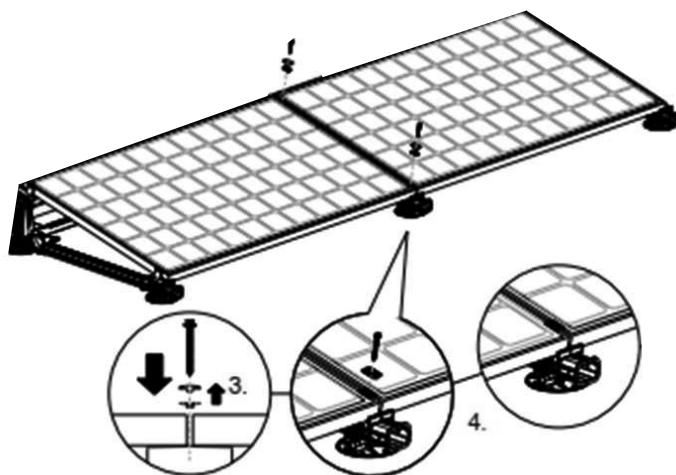




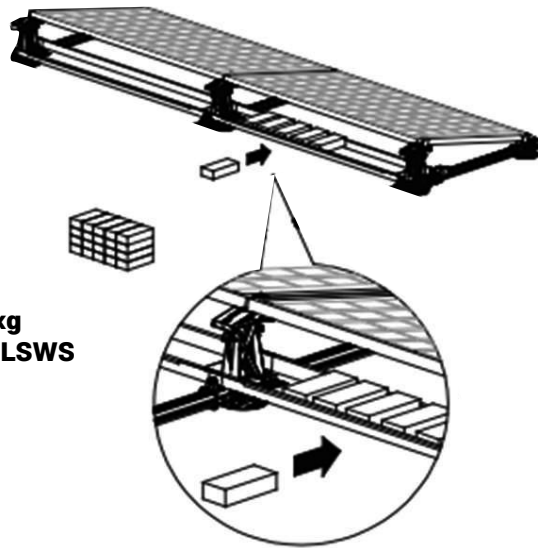
9.



10.

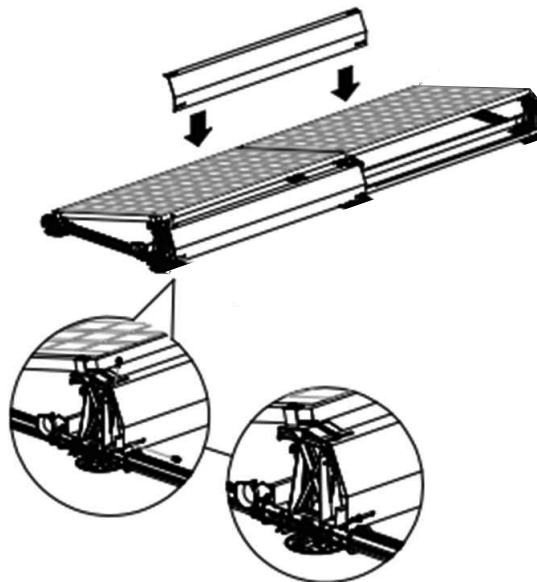


11.



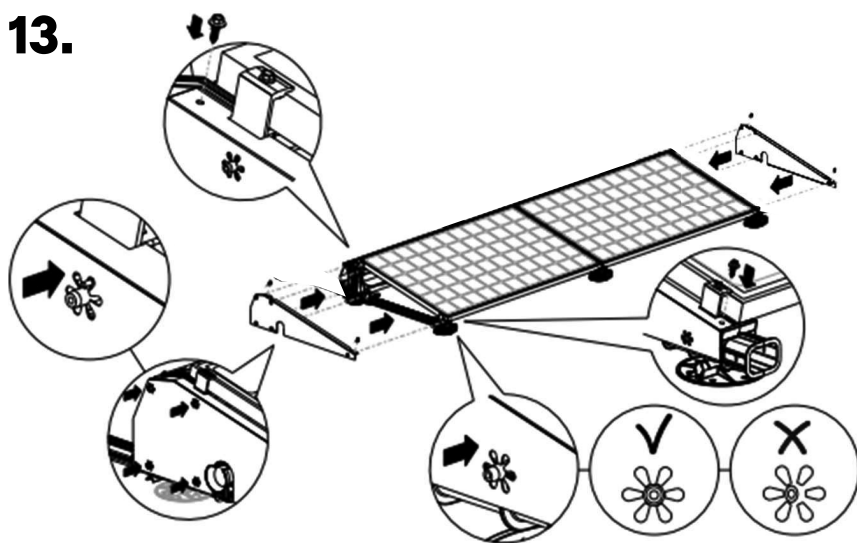
>25 kg
per SLSWS

12.



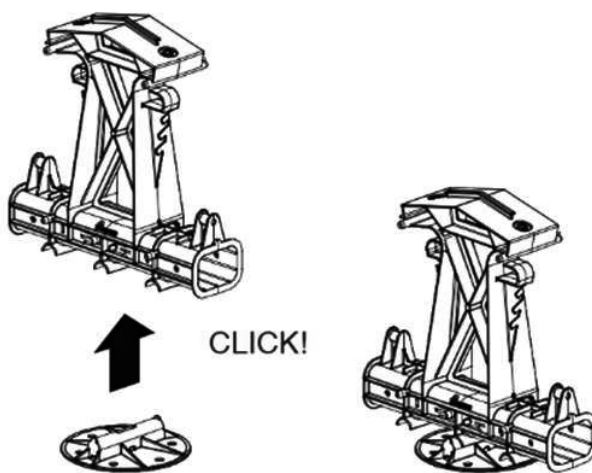


13.

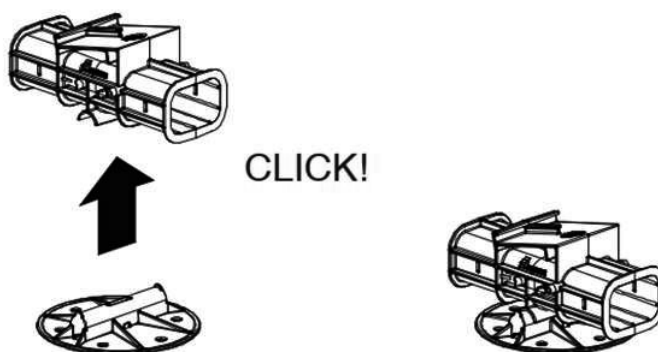




1.



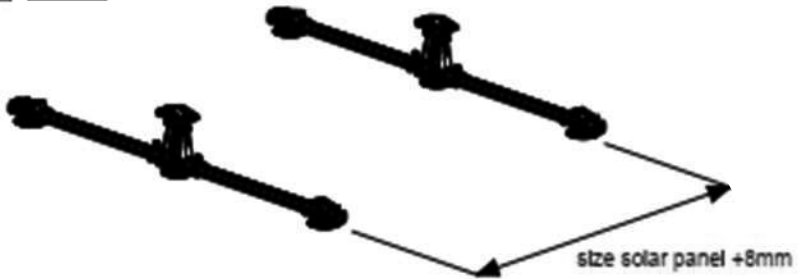
2.



3.

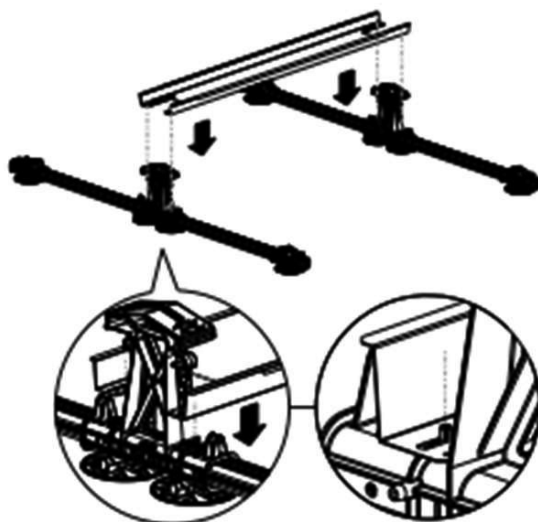


4.

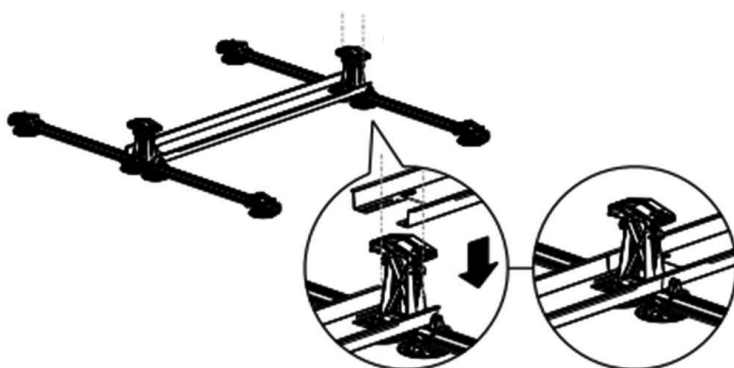




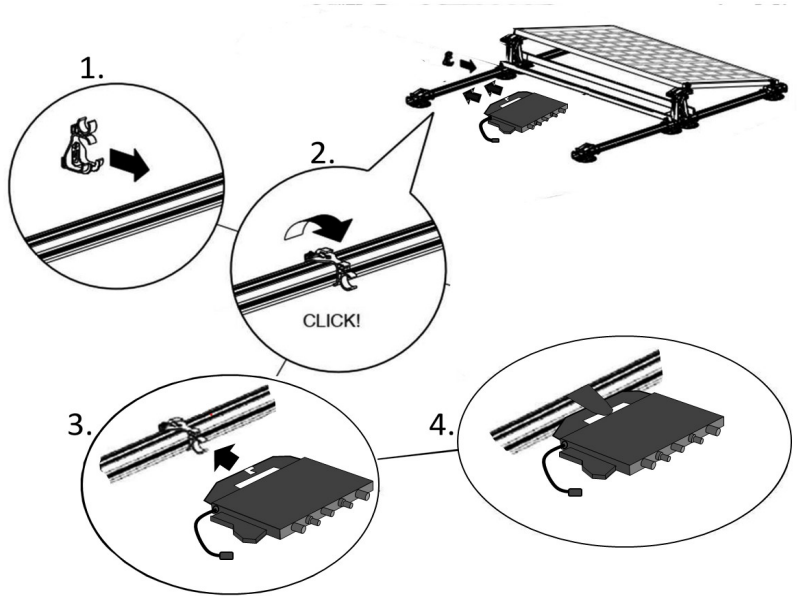
5.



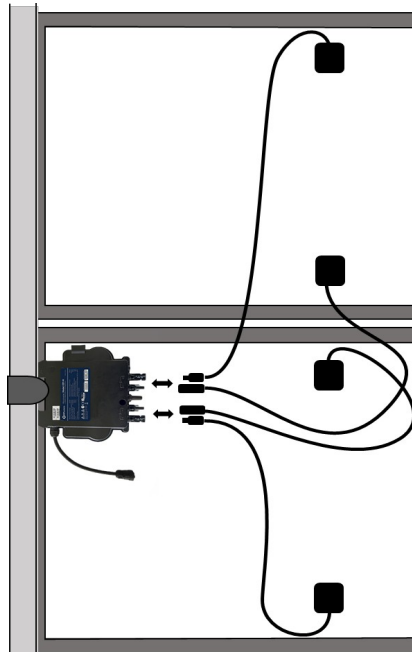
6.



7.

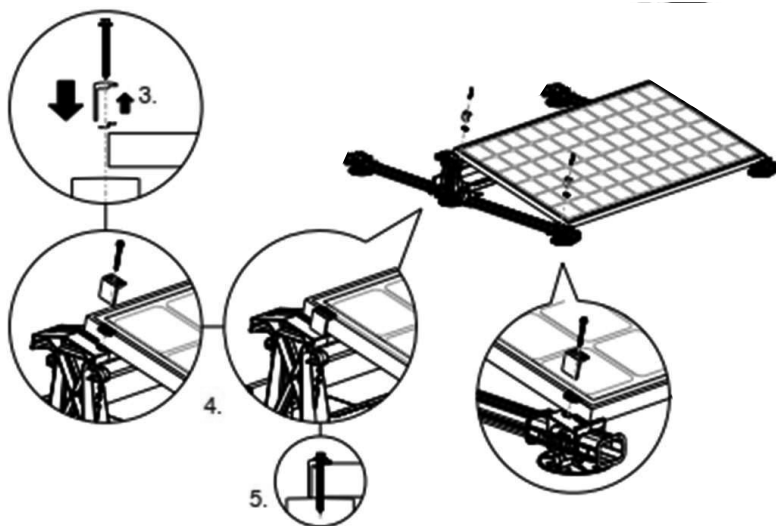


8.



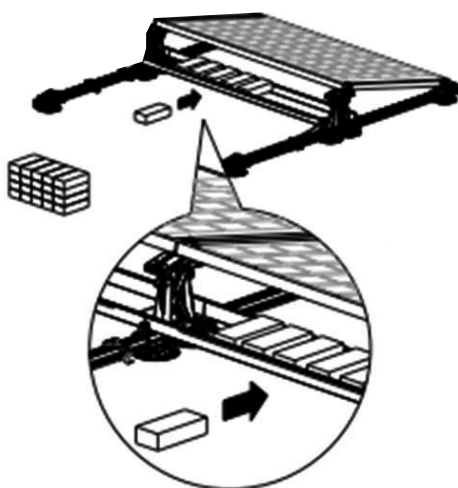


9.

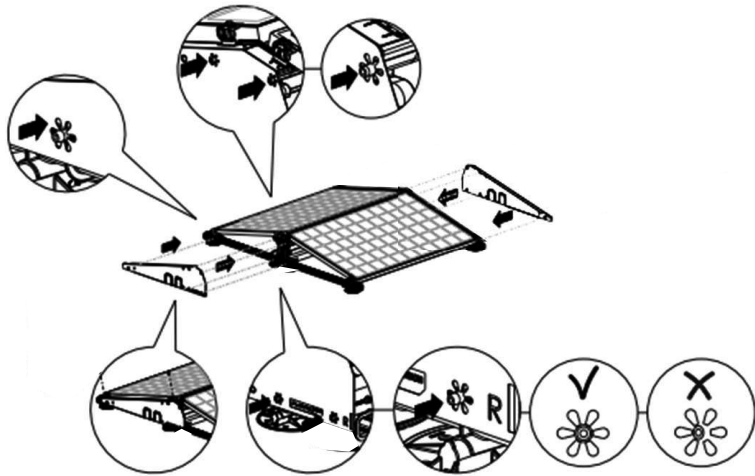


10.

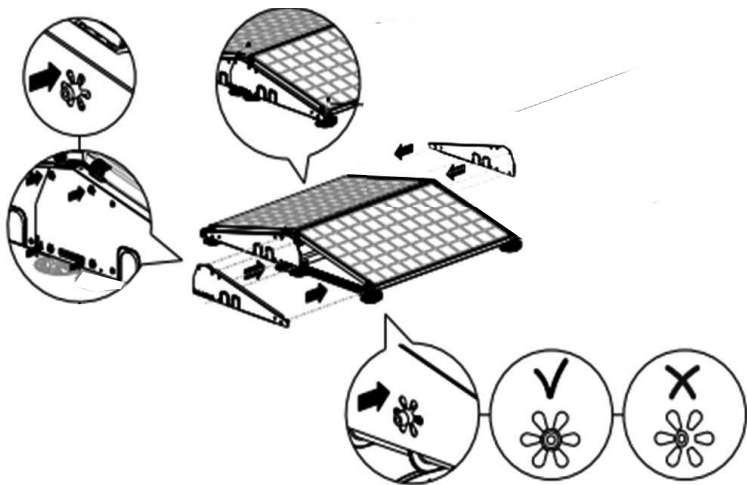
**>25 kg
per SLSWS**

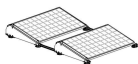


11.

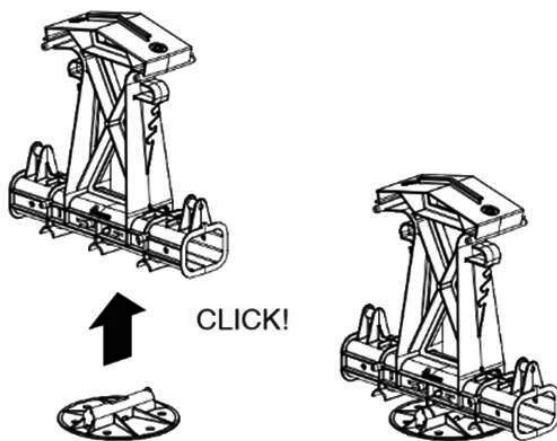


12.

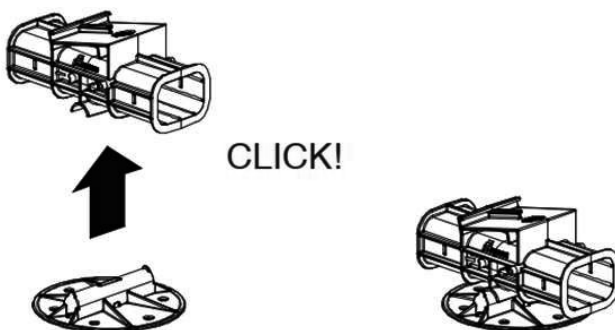




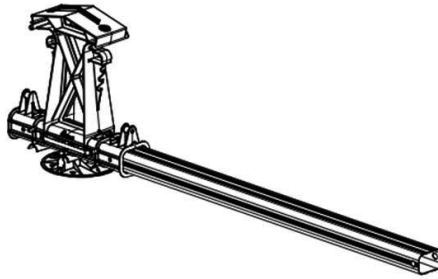
1.



2.

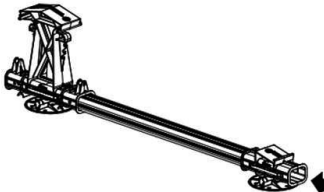


3.



CLICK!

4.



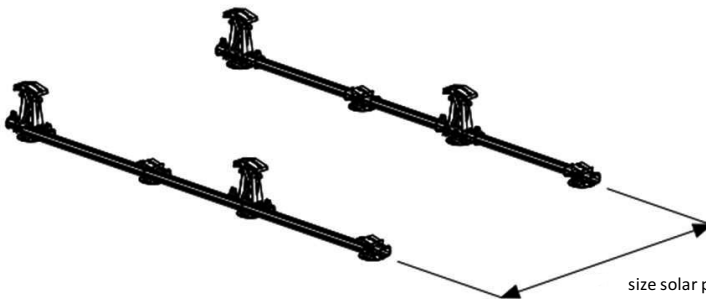
1.

CLICK!

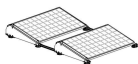
2.

CLICK!

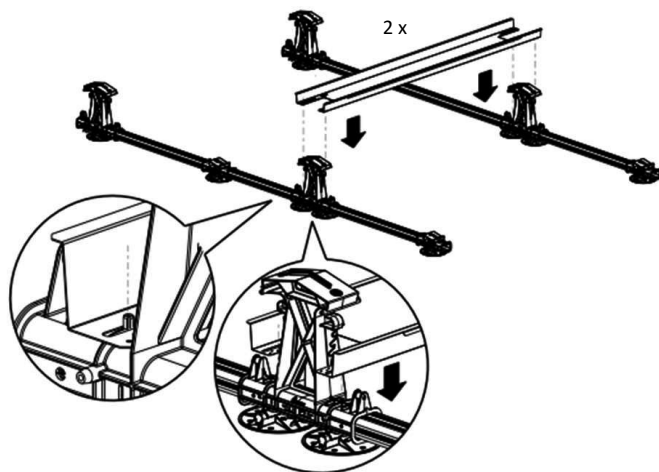
5.



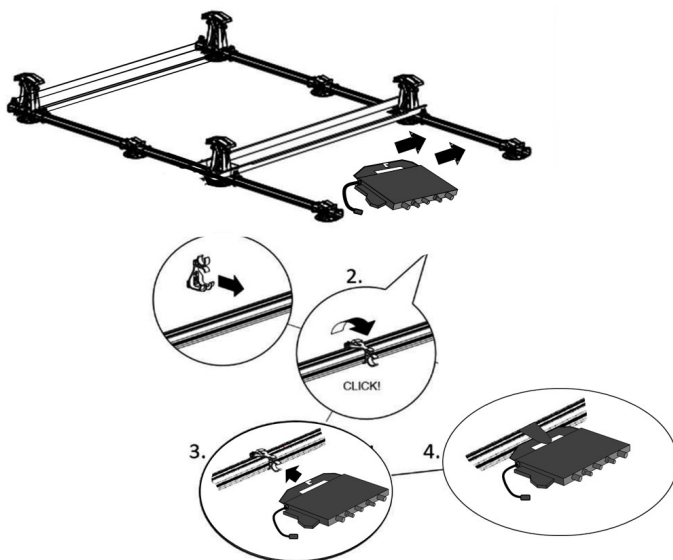
size solar panel + 8mm



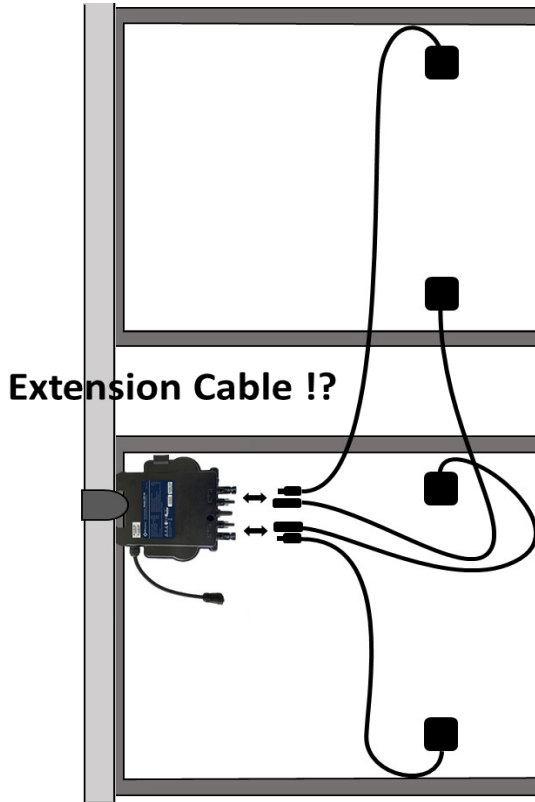
6.

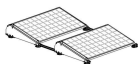


7.



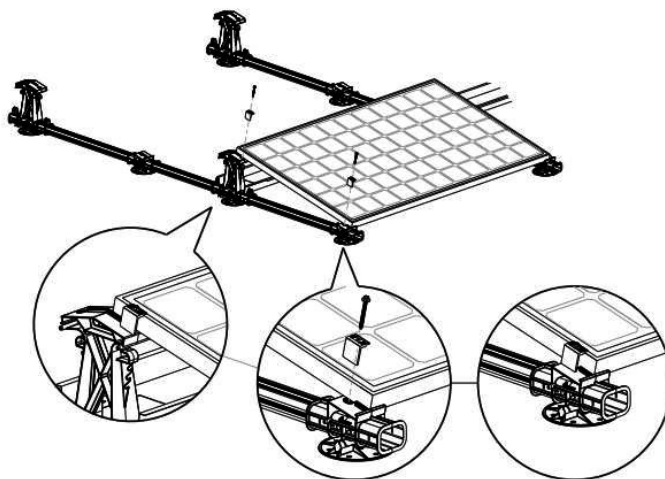
8.



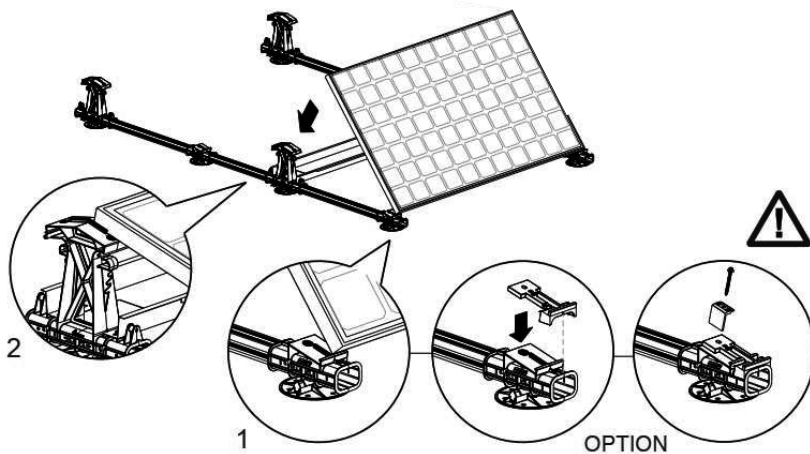


9.

9.

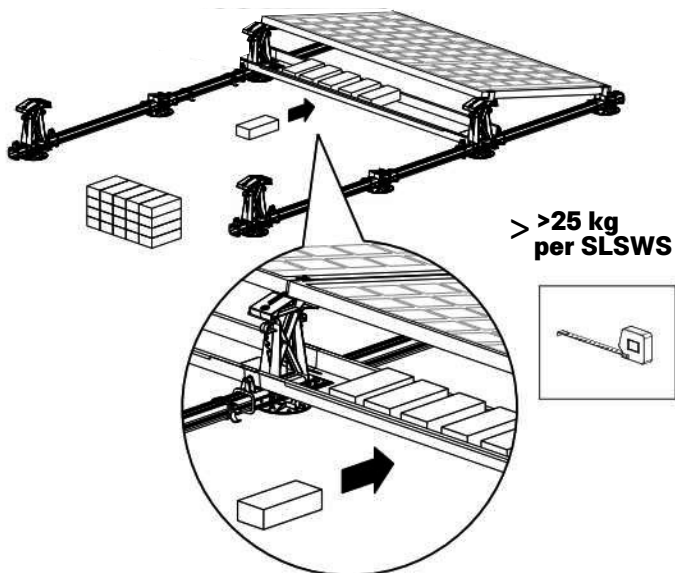


10.

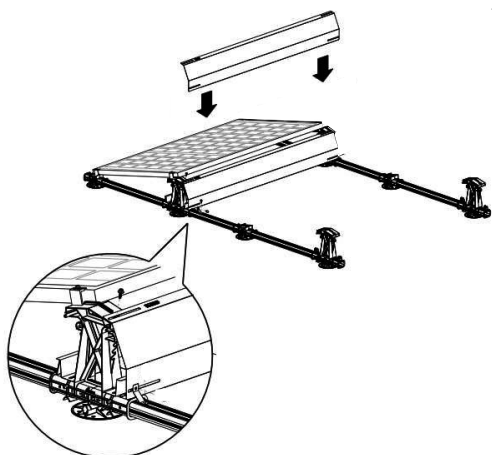


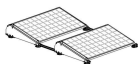
When the „low base extension“, the 100-7021 WP, is fitted, a 10 mm longer screw must be used at the location of this extension. For type, see Annex section 7

11.

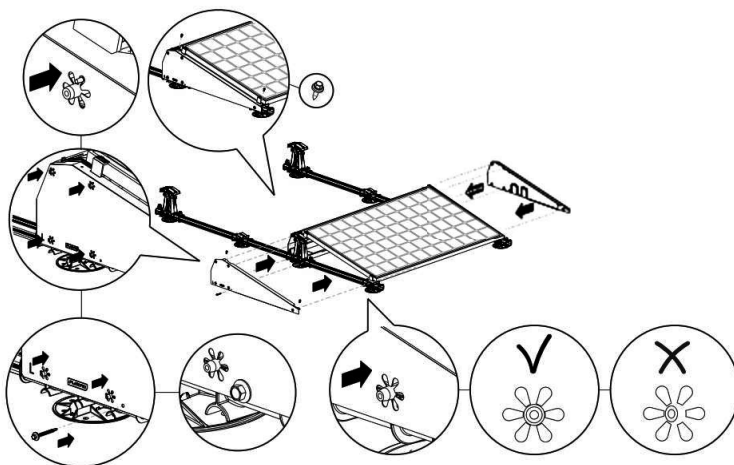


12.





13.



NOTES

SOLARLEICHT

www.solarleicht.de