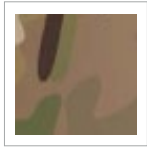


FEATURES

- **Cooling:** Fill and freeze IcePlate® Curve for a powerful 70 watts of cooling, creating a performance-enhancement and environmental inoculation capability without rival.
- **Heating:** Fill IcePlate® Curve with hot water for up to 52 watts of conductive heating power and an incredible competitive advantage in even the harshest climates.
- **Hydration:** IcePlate® Curve holds 50 oz (1.5 L) of water.
- **One-Way Valve:** The one-way valve allows air into IcePlate® Curve, improving flow rate by more than 100% for an effortless drinking experience.
- **Capable:** IMS Pro is built from our unique IcePlate EXO® laminate for seamless integration and a professional look.
- **Ambidextrous:** Accepts both Left and Right Exit IcePlate Curves® to work for both right-handed and left-handed shooters
- **Flat:** Conformal design geometry with IcePlate® Curve delivers the flattest, strongest and most capable plate carrier cooling/heating/hydration system ever built
- **Streamlined:** Laser-cut Drink Tube Routing Ports on Left, Right and Top keep your hose as low profile and tight to your kit as you want or need
- **Ultralight:** IcePlate® Sleeve is 30% lighter than IMS Flex, weighing in at a mere 4.2 ounces. Laser-cut negative MAPs (MOLLE Attachment Points built by removing, not adding material)
- **Optimized:** Optimized for IcePlate EXO® compatibility
- **Universal:** Works with any plate carrier with a 6x4 MOLLE field and/or a hook and loop Velcro field
- **Modular:** Dual-face MAPs let you carry your water and preserve your MOLLE field
- **Purpose-Built:** Can accept any IcePlate® Curve or Medium ESAPI armor plate to give you maximum versatility for your cooling, heating, hydration and protection needs
- **Zip-On Compatibility:** Compatible with Crye Precision Zip On Panels for the JPC 2.0 and AVS
- **Ventilated:** Dual-face laser-cut MAPs double as ventilation ports
- **Reliable:** Bottom zipper closure is out, Velcro bottom closure is in with the Hook Velcro field on the inside of IcePlate® Sleeve to prevent contact with clothing or uniforms



COLORS



MultiCam



Coyote Brown

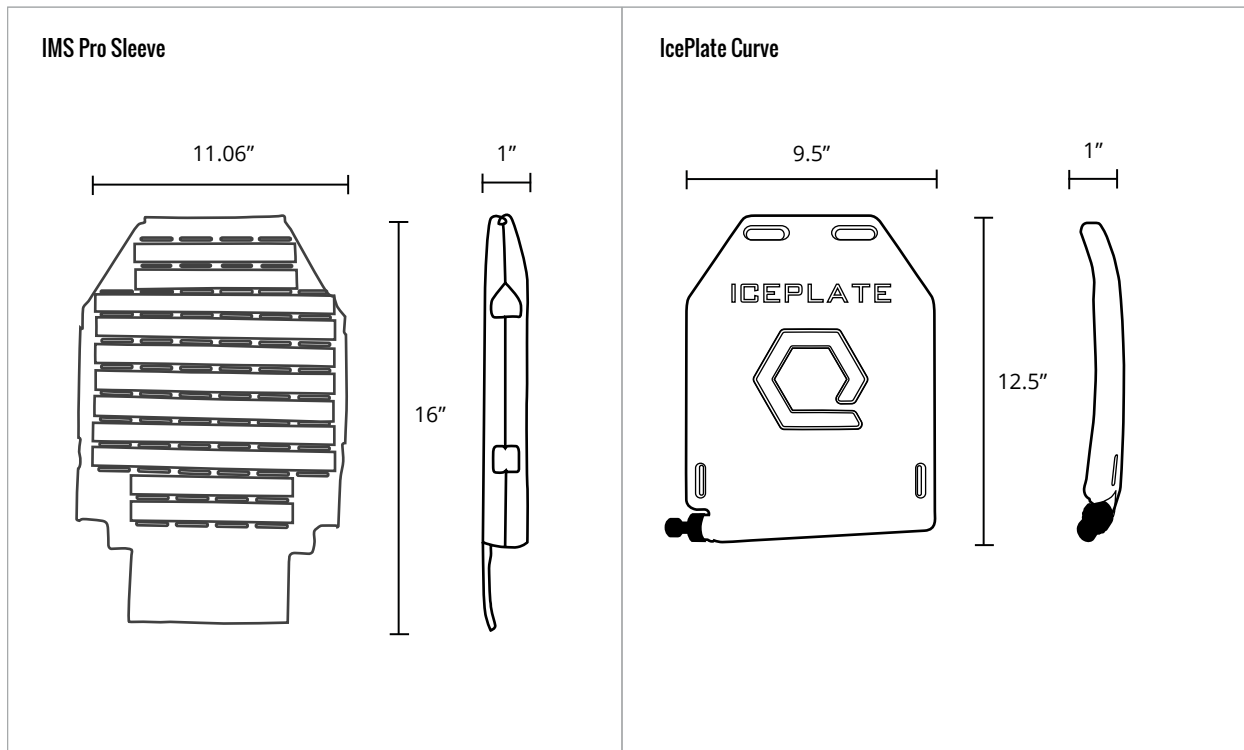


Obsidian Black



Ranger Green

SPECIFICATIONS



Learn more by scanning QR Code or [clicking here.](#)