

# PANEL INSTALLATION: HANGER BOLT METHOD

## APPLICATIONS

The hanger bolt panel installation method requires custom wood framing and is therefore most suitable for new builds and remodels.

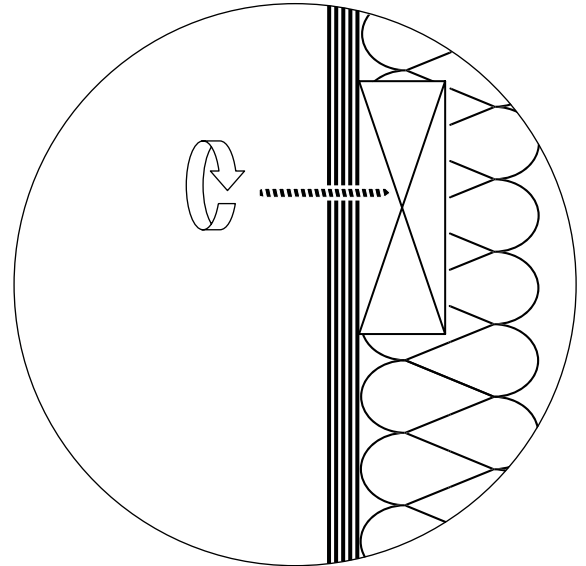
## COMPATIBLE PRODUCTS

Nek-Rite  
Wine Wall  
Beta Bloc

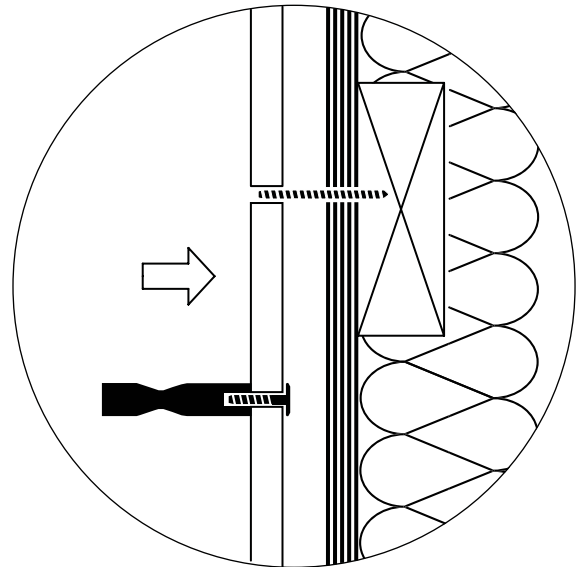
## INSTALLATION OVERVIEW

1. Wind hanger bolts into the solid wood blocking. Please contact us if you require assistance with wood blocking placement.
2. Pre-assemble rods on your panel (using either connector bolts or inserts/studs) and suspend panel on the wall from your hanger bolts.
3. Secure the panel by winding the remaining rods on to the hanger bolts.

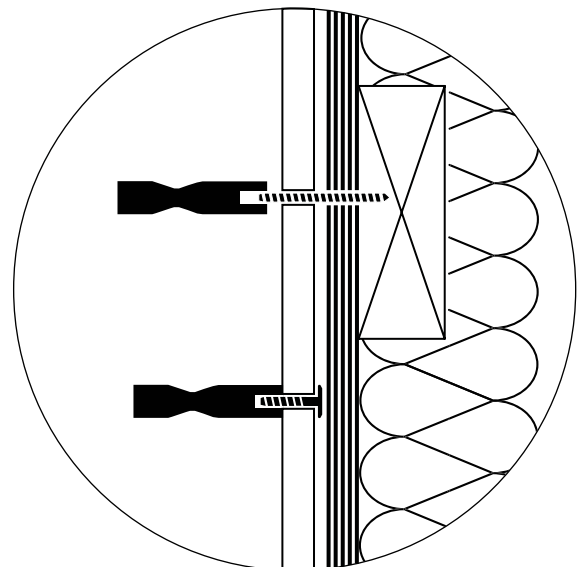
1.



2.



3.



# PANEL INSTALLATION: Z-CLIP METHOD

---

## APPLICATIONS

The z-clip panel assembly method is ideal for installing in finished spaces as it does not require any custom framing or drywall removal.

## COMPATIBLE PRODUCTS

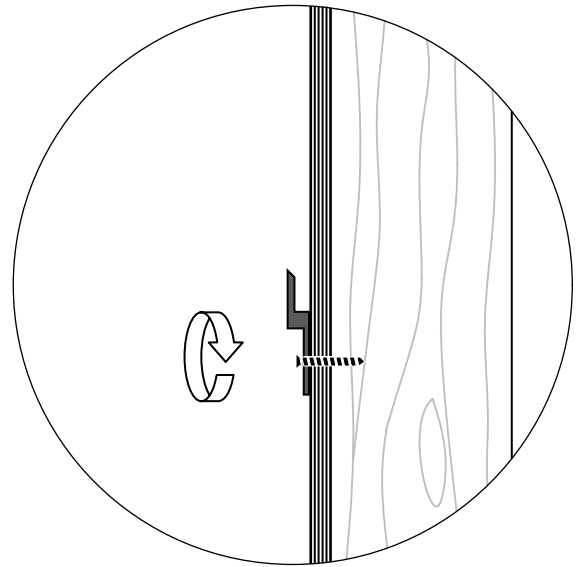
Nek-Rite  
Wine Wall  
Beta Bloc  
Bent Economy

---

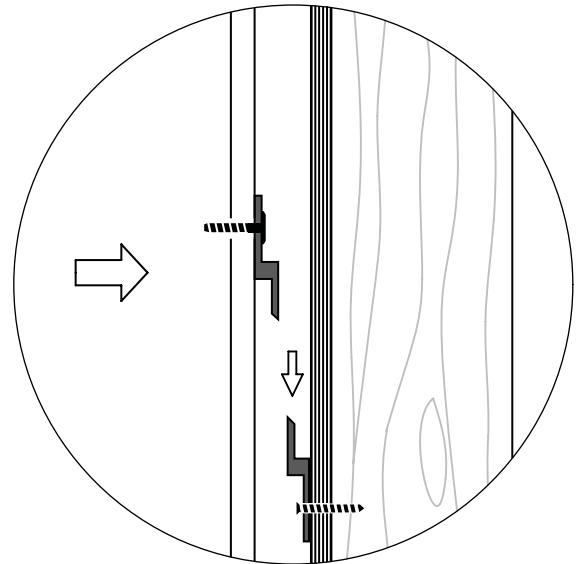
## INSTALLATION OVERVIEW

1. Locate studs and predrill your aluminum cleat. Mount cleat directly on wall by screwing through the drywall and directly into the studs.
2. Wind the other half of the predrilled cleat to the back of your panel and attach all of your rods.
3. Attach the finished panel to the wall by mating the two cleats together.

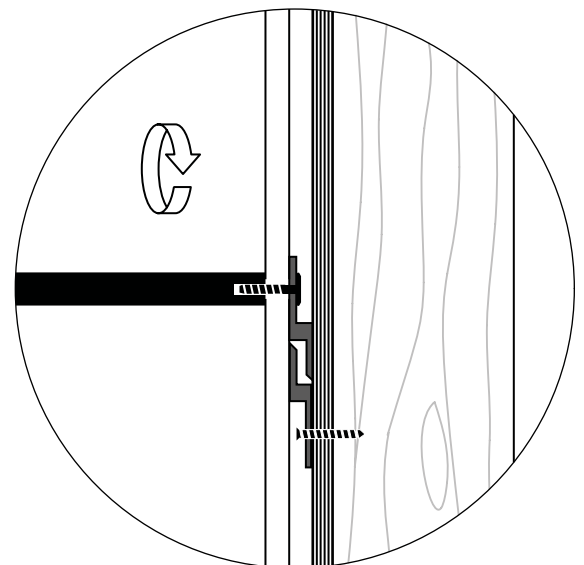
1.



2.



3.



# HARDWARE INSTALLATION: FASTENER OPTIONS

Depending on your panel installation method, project size and material choice, we will suggest one of the following hardware assembly options.

A.

Connector bolt (standard assembly).

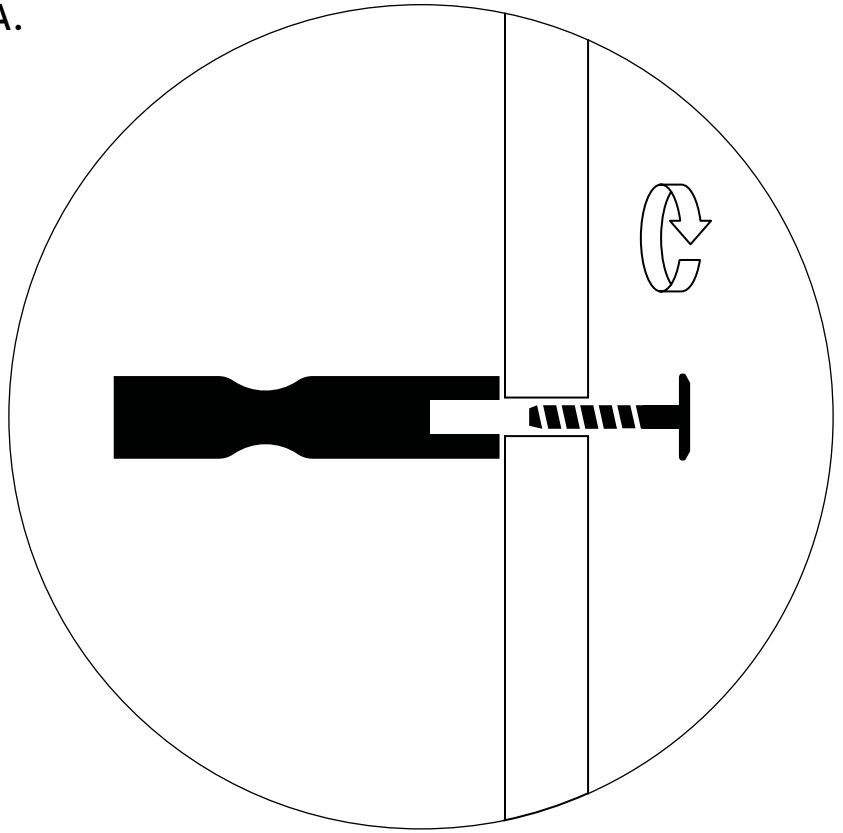
Hole size: 7mm  
9/32"

B.

Threaded insert with stud.

Hole size: 8.2mm  
5/16"

A.



B.

