

Connections | SilFlow® GC 4 port splitter

Improve your GC connectivity

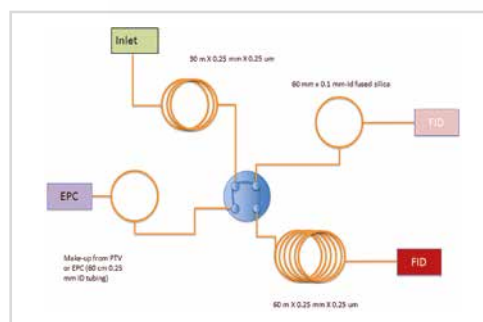
SilFlow® delivers a flexible chromatography solution using planar microchannel technology. SilFlow is an innovation in design and fabrication resulting in a highly efficient and reliable microfluidic platform that improves your GC connectivity to enable maximum chromatography performance.

Features and benefits

- Chemically inert.
- Low dead volume.
- Superb operational stability.
- Easy to install.
- Leak free.

Recommended applications

- Backflushing.
- Flexibility on column splitting.
- Detector splitting.
- Acts as a three port by blocking off one port.



Fused silica to SilFlow connection system using SilTite FingerTite® metal ferrule.

Product specifications

Description	Tubing dimensions				Pack size
	Port A	Port B	Port C	Port D	
GC kit (1.1)	0.25/0.32 mm ID	0.25/0.32 mm ID	0.25/0.32 mm ID	1.1 mm OD	Kit
GC kit (0.53)	0.25/0.32 mm ID	0.25/0.32 mm ID	0.25/0.32 mm ID	0.53 mm ID	Kit
GC kit (0.25/0.32)	0.25/0.32 mm ID	0.25/0.32 mm ID	0.25/0.32 mm ID	0.25/0.32 mm ID	Kit
GC MCD (1.1)	0.25/0.32 mm ID	0.25/0.32 mm ID	0.25/0.32 mm ID	1.1 mm OD	1
GC MCD (0.53)	0.25/0.32 mm ID	0.25/0.32 mm ID	0.25/0.32 mm ID	0.53 mm ID	1
GC MCD (0.25/0.32)	0.25/0.32 mm ID	0.25/0.32 mm ID	0.25/0.32 mm ID	0.25/0.32 mm ID	1
Replacement parts					
SilFlow nuts	-				10
SilFlow ferrules 0.35 mm ID	For 0.32 mm OD tubing				10
SilFlow ferrules 0.4 mm ID	For 0.36 mm OD tubing				10
SilFlow ferrules 0.5 mm ID	For 0.43 mm OD tubing				10
SilFlow ferrules 0.55 mm ID	For 0.45 mm OD metal tubing				10
SilFlow ferrules 0.7 mm ID	For 0.68 mm OD tubing				10
SilFlow ferrules 0.75 mm ID	For 0.71 mm OD metal tubing				10
SilFlow ferrules 0.8 mm ID	For 0.79 mm OD tubing				10
SilFlow ferrules 1.1 mm ID	For 1.07 mm OD tubing				5
SilFlow blanking ferrules and pins	-				5
SilTite FingerTite tool	-				1

For more information about this product visit www.trajanscimed.com or contact techsupport@trajanscimed.com