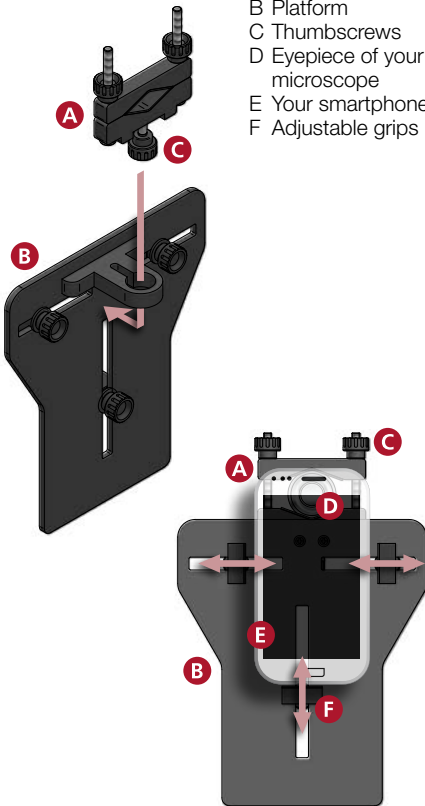


## Smartphone adaptor for microscopes

### Legend

- A Mounting collar
- B Platform
- C Thumbscrews
- D Eyepiece of your microscope
- E Your smartphone
- F Adjustable grips



### Instructions

1. Slide mounting collar **A** into the back of the platform **B**, then tighten the bottom thumbscrew **C**.
2. Loosen the top thumbscrews **C** and place the mounting collar **A** around the eyepiece **D**, then re-tighten.
3. Align your smartphone's **E** camera lens over the eyepiece **D**.
4. Move the adjustable grips **F** to fit around your smartphone **E**, then tighten the back thumbscrews.

MiPlatform is now ready to use!

### Information and support

Visit [www.trajanscimed.com](http://www.trajanscimed.com) or contact [techsupport@trajanscimed.com](mailto:techsupport@trajanscimed.com)

*Specifications are subject to change without notice.*