



Introduction



The SilTite FingerTite® fittings system will allow you to install and remove a column without using a wrench. The SilTite FingerTite system is designed to be self installed, the instructions below are written in easy to follow steps.

Packing list

- 1 x Injector adapter
- 1 x FID adapter
- 2 x Graphite Vespel® ferrule FID
- 5 x SilTite FingerTite nuts – female
- 10 x 0.4 mm SilTite FingerTite ferrules
- 1 x SilTite FingerTite ferrule install tool

Instructions

Injector adapter installation

This procedure is no different than cleaning the inlet or replacing the seal or base plate. Do not lose any of the items that are replaced. Cool all areas that will receive the new FingerTite adapters including the injector and the FID.

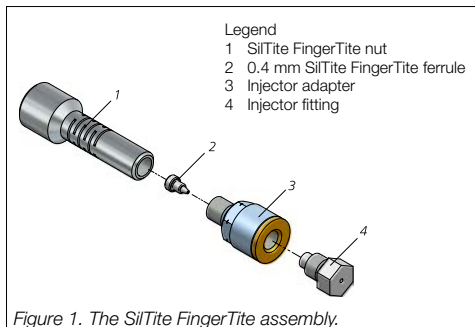


Figure 1. The SilTite FingerTite assembly.

1. Locate the adapter injector interface (3) and ensure that the seal (3a) is in place. The seal is pre-assembled but may have come loose during transit.

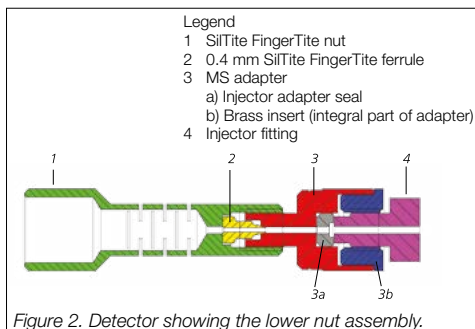


Figure 2. Detector showing the lower nut assembly.

2. Using fingers screw the Injector adapter (3) (brass end – 3b) onto the Injector until it stops. Using a wrench tighten a further 30° to ensure a good seal. Do not attempt to tighten further as this may damage the Injector interface.

FID adapter installation

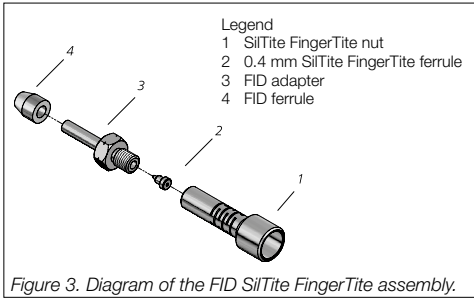


Figure 3. Diagram of the FID SiTite FingerTite assembly.

1. Ensure the FID nut assembly is cool.
2. Remove the column and column nut (if attached).
3. Unscrew the large nut assembly at the base of the detector, turn anti-clockwise. Remove the seal and capillary adapter assembly. Retain these parts.
4. Locate the adapter FID (1), original nut (5), and 1/8" Graphite Vespe^l® ferrule (5) and assemble as displayed in Figure 4.
5. Insert the adapter FID into the base of the detector and finger tighten the nut clockwise until it stops and then an additional 1/2 a turn with a wrench.

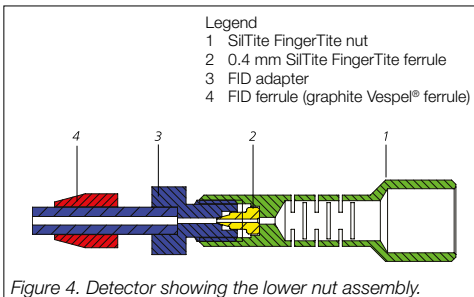


Figure 4. Detector showing the lower nut assembly.

Column installation



Figure 5. Image of SiTite FingerTite Install tool.

1. First, slide a SiTite FingerTite nut (1) onto the column, followed by a SiTite FingerTite ferrule (2). The flat base of the ferrule aligns with the nut and the cone points to the detector or injector.
2. Using the SiTite FingerTite Install tool displayed in Figure 5, push approximately 20 mm more column than required through the Install tool. Tighten the nut, using your fingers only to seat the ferrule onto the column – there is no need to use excessive force, once the seal is made the column will be held firm and will not move. The distances for column insertion into PerkinElmer instruments are in Table 1 and are calculated from the back of the ferrule. Use a rule to mark the column insertion distance, then cut the column.
3. Insert the pre-assembled nut and ferrule into the injector/detector port and screw in the nut using finger force only – again, there is no need to use excessive force to make a seal. You cannot break the capillary column if you over tighten the ferrule although an over tightened ferrule may stick to the cone of the adapter. **Remember that the ferrule will be the temperature of the injector or FID and may be HOT!** To remove an over tightened ferrule we recommend gently levering between the shoulder of the ferrule and the relevant adapter. **Under no circumstances are wrenches or pliers to be used on these fittings.** The ferrules will seal for multiple uses as long as the length of the column into the injector or FID is not changed.

Injector/Detector	Distance (mm)
Cap injector	46 - 55
PSS injector	40 - 46
FID	85.5
ECD	79.5

Table. 1 Column measurements for correct assembly.

Information and support

Visit www.trajanscimed.com or contact techsupport@trajanscimed.com

Specifications are subject to change without notice.