

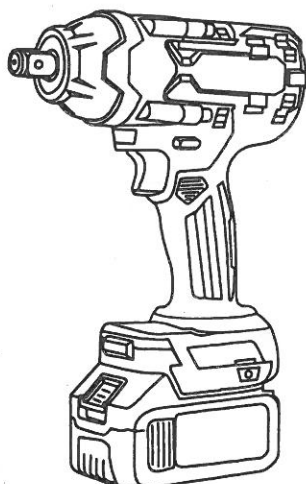


# OPERATING MANUAL

## CORDLESS IMPACT WRENCH

---

---



### TB-10915

#### SPECIFICATIONS

**Battery:** 36V

**Square Drive Size:** 12.7mm/1/2"

**No-Load Speed:**

0-1600/0-2100/0-2800min<sup>-1</sup>

**Rate Impact Frequency:**

0-1800/0-2600-0-3500min<sup>-1</sup>

**Max. Fastening Torque:** 500N.m

---

---

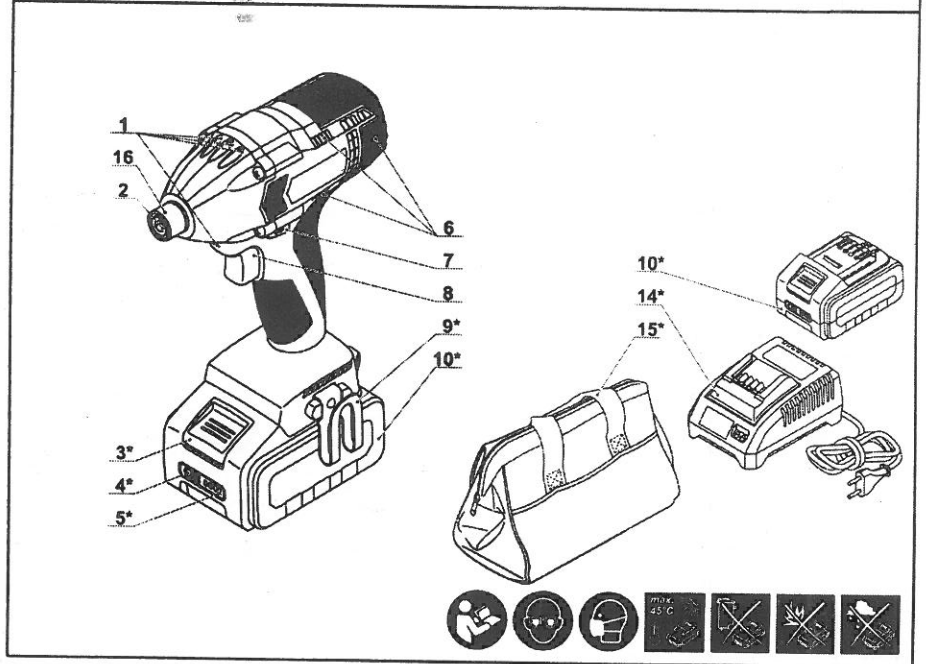
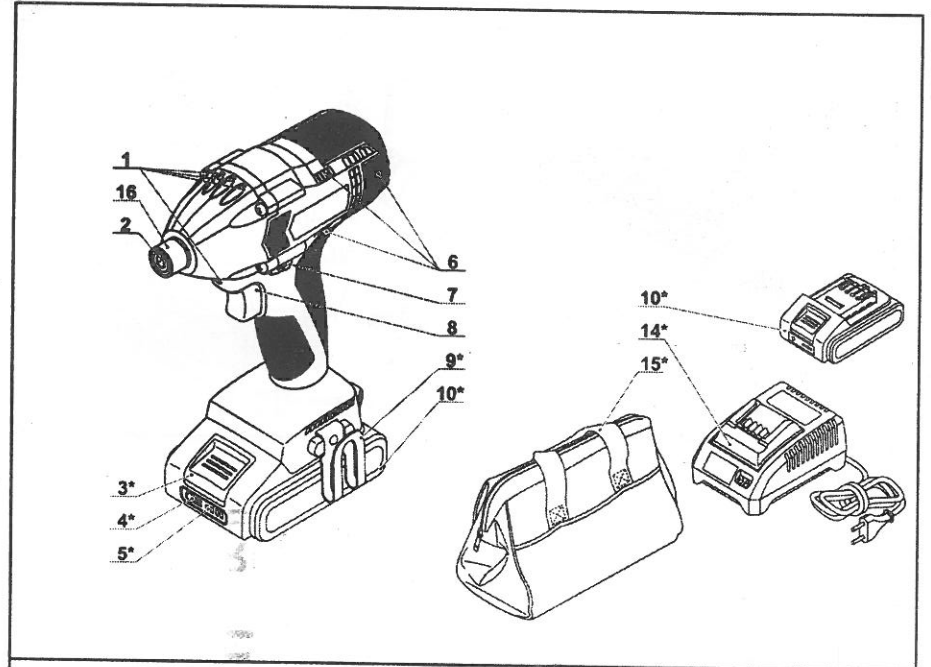
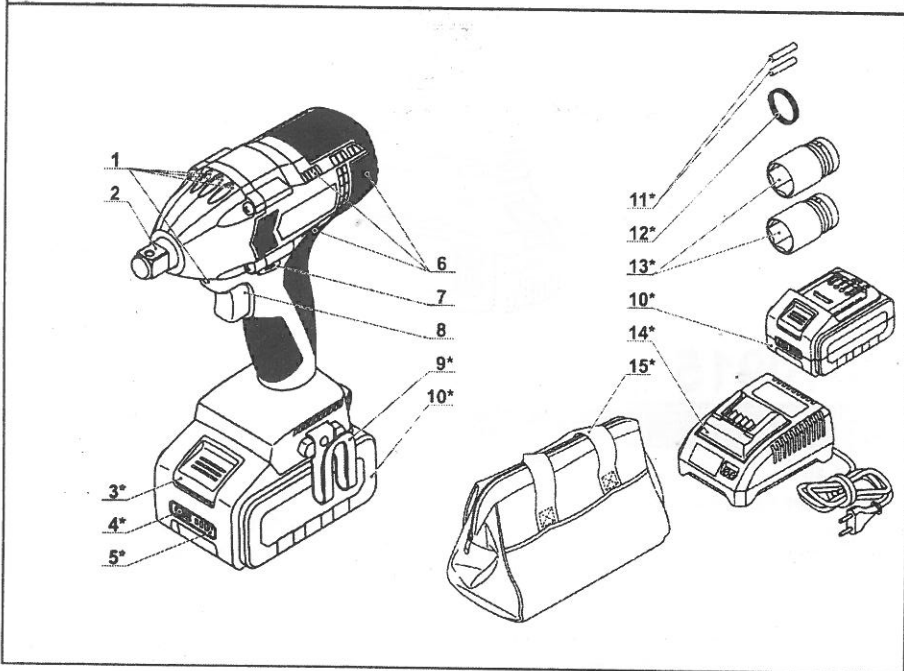
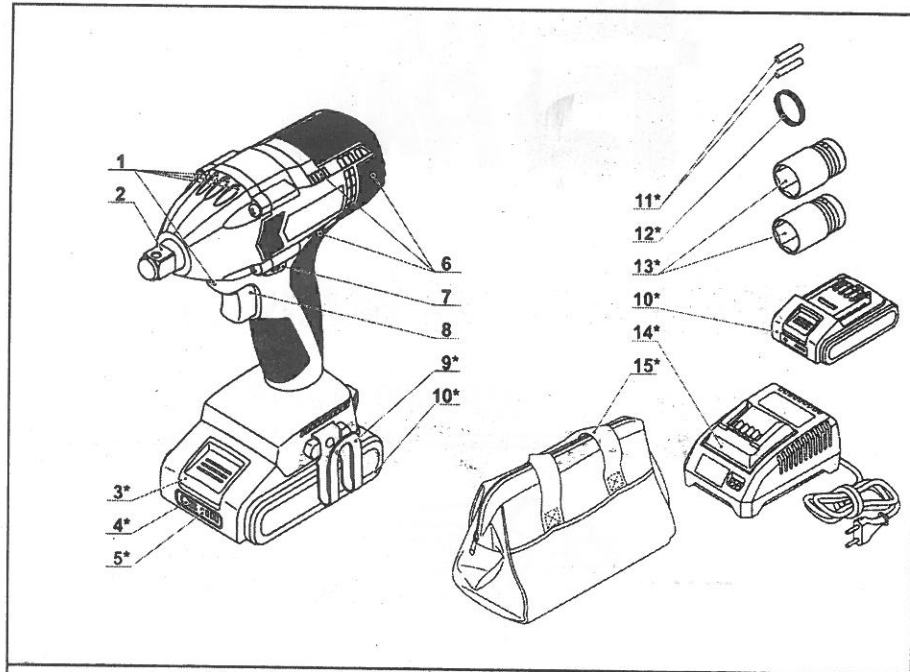
MADE IN CHINA

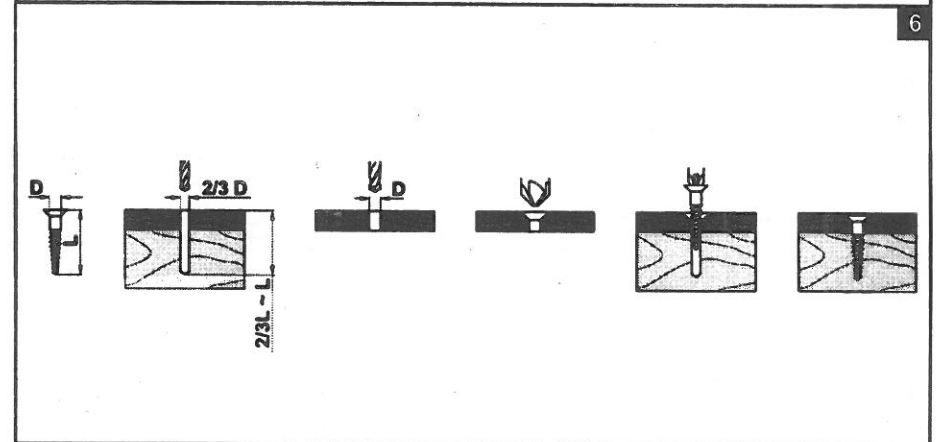
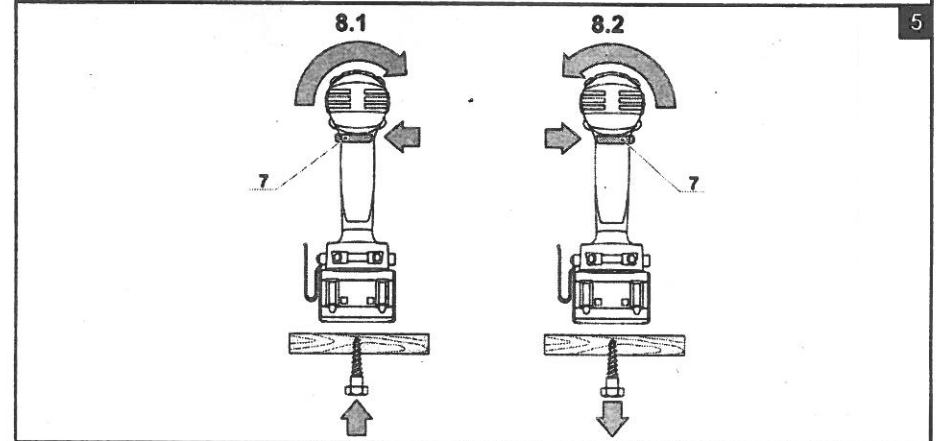
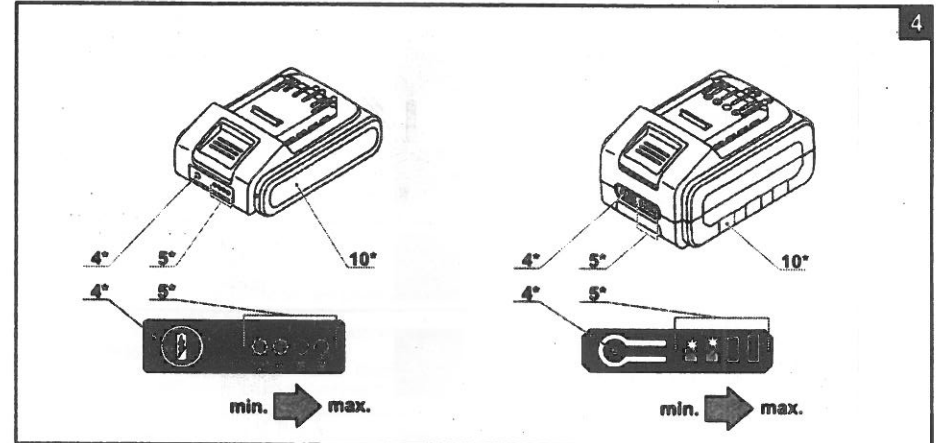
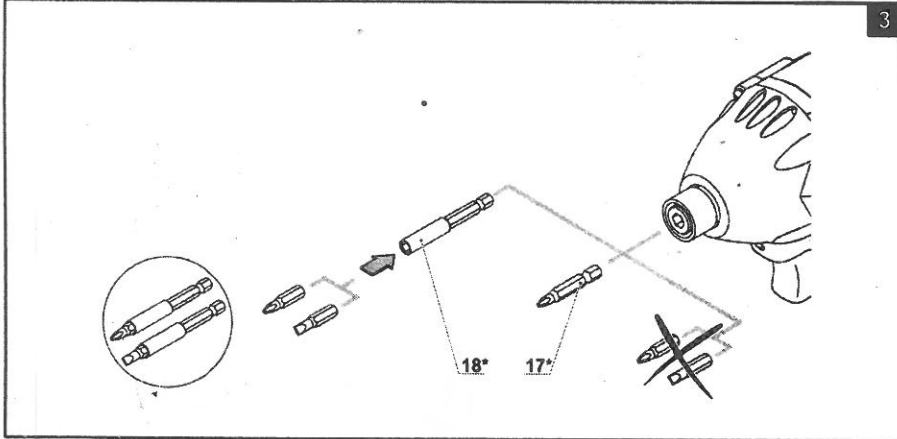
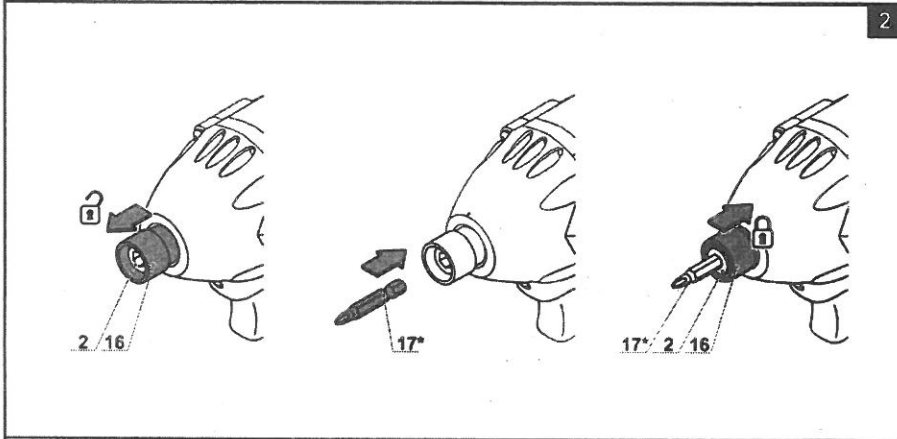
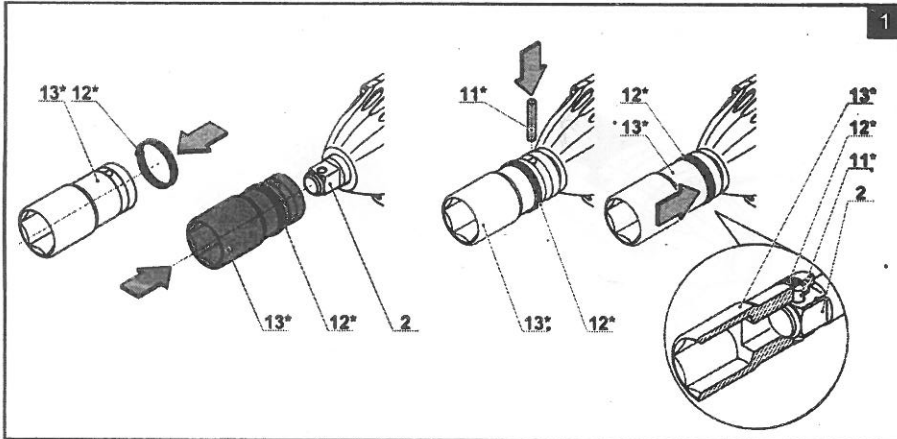


Read through carefully and understand these instructions before use.



All Lithium battery products must be charged once every three months to ensure longer battery life.






















- 1 LED lamp
- 2 Tool holder
- 3 Battery lock \*
- 4 Control button of the state of battery charge \*
- 5 Indicators of the state of battery charge \*
- 6 Ventilation slots
- 7 Reverse switch
- 8 On / off switch
- 9 Belt clip \*
- 10 Battery \*
- 11 Pin \*
- 12 Spring \*
- 13 Socket wrench \*
- 14 Charger \*
- 15 Carrying bag \*
- 16 Fixing bush
- 17 Screwdriver bit \*
- 18 Magnetic holder \*
- 19 Charger label \*
- 20 Indicator (red) \*
- 21 Indicator (green) \*

### Symbols used in the manual

Following symbols are used in the operation manual, please remember their meanings. Correct interpretation of the symbols will allow correct and safe use of the power tool.

Symbol	Meaning
	<b>Cordless impact wrench</b> <b>Cordless impact screwdriver</b> Sections marked gray - soft grip (with insulated surface).
	Read all safety regulations and instructions.
	Wear safety goggles.

Symbol	Meaning
	Wear a dust mask.
	Do not heat the battery above 45°C. Protect from prolonged exposure to direct sunlight.
	Do not dispose of the battery in a domestic waste container.
	Do not dispose of the battery in the fire.
	Protect the battery from the rain.
	Battery charging time.
	Movement direction.
	Rotation direction.
	Locked.
	Unlocked.
	Accessories holder with an external square.
	Accessories holder with an internal hexagon.
	Attention. Important.
	Useful information.

### Power tool maintenance / preventive measures

Before execution of any procedures, centre the reverse switch 7.

#### Battery maintenance instruction

- Charge timely before the battery 10 is completely exhausted. Stop operation in low power and charge it immediately.
- Do not overcharge when the battery 10 is full, otherwise it will shorten the life time.
- Charge battery 10 in the room temperature of 10°C to 40°C (50°F to 104°F).
- Charge battery 10 every 6 months without operation for a long time.
- Replace worn out batteries in time. Decline of production or a significantly shorter runtime of the power tool after charging indicates aging of the battery 10 and the need for replacement. It should be taken into account that the battery 10 may discharge faster if the works take place in the temperature below 0°C.
- In case of long time storage without use, it is recommended to store the battery 10 at room temperature, it should be charged to 50%.

#### Cleaning of the power tool

An indispensable condition for a safe long-term exploitation of the power tool is to keep it clean. Regularly flush the power tool with compressed air through the ventilation slots 6.

#### After-sales service and application service

Our after-sales service responds to your questions concerning maintenance and repair of your product as well as spare parts. Information about service centers,

parts diagrams and information about spare parts can also be found under: [www.crown-tools.com](http://www.crown-tools.com).

### Transportation of the power tools

- Categorically not to drop any mechanical impact on the packaging during transport.
- When unloading / loading is not allowed to use any kind of technology that works on the principle of clamping packaging.

#### Li-Ion batteries

The contained Li-Ion batteries are subject to the Dangerous Goods Legislation requirements. The user can transport the batteries by road without further requirements. When being transported by third parties (e.g.: air transport or forwarding agency), special requirements on packaging and labelling must be observed. For preparation of the item being shipped, consulting an expert for hazardous material is required. Dispatch batteries only when the housing is undamaged. Tape or mask off open contacts and pack up the battery in such a manner that it cannot move around in the packaging. Please also observe possibly more detailed national regulations.

### Environmental protection



Recycle raw materials instead of disposing as waste.

Power tool, accessories and packaging should be sorted for environment-friendly recycling.

The plastic components are labelled for categorized recycling. These instructions are printed on recycled paper manufactured without chlorine.