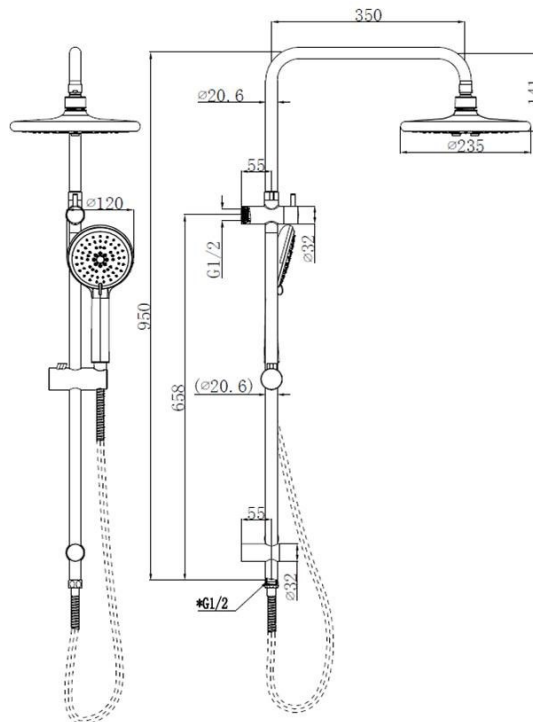


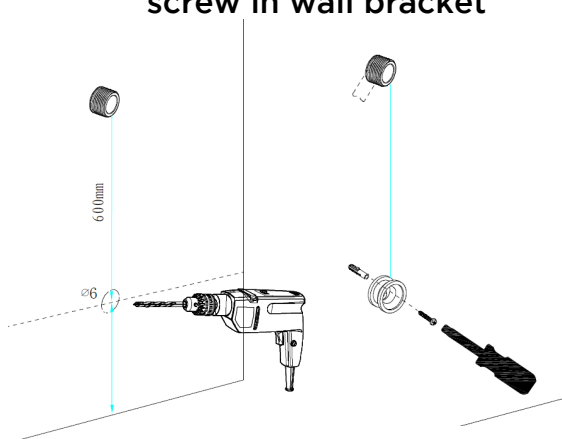
Self-Cleaning Twin shower system

Revolution
SHOWERS

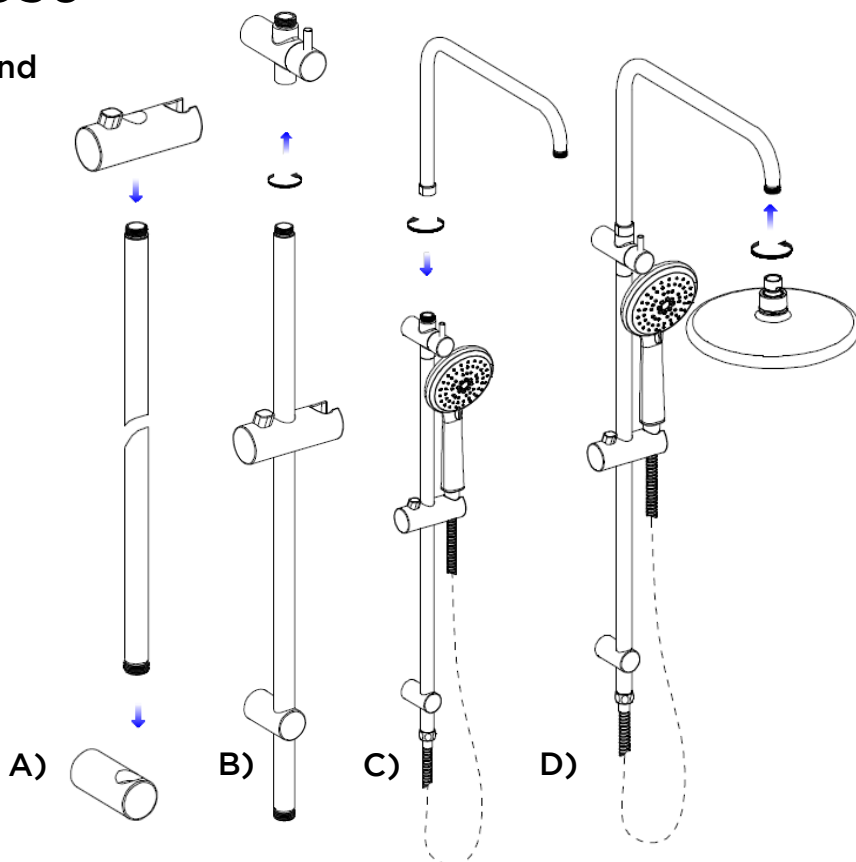
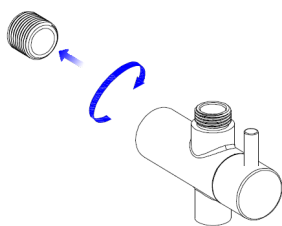


Installation Guide: SCS6

1. Drill 600mm below wall thread and screw in wall bracket



2. Apply thread tape and screw on diverter valve



- 3.

- A) Assemble slider onto rail and guide rail through bottom wall post
- B) Screw the top of rail into diverter valve
- C) Screw on the overhead arm
- D) Screw on the shower head