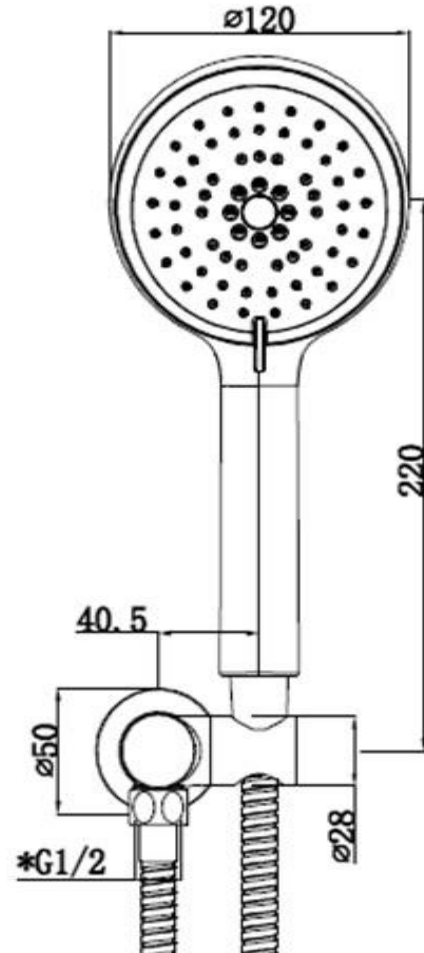


Self-Cleaning Hand shower

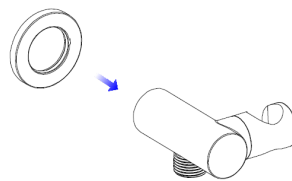
Revolution
SHOWERS



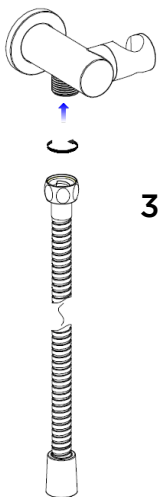
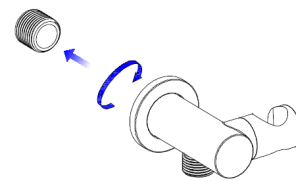
Installation Guide: SCS2



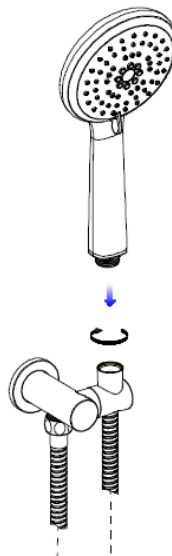
1. Apply teflon tape



2. Push on cover plate and screw on wall bracket



3. Screw on the
hose



4. Screw on the hand shower