



## DoorBird Video Door Station D202B, Full Stainless-Steel with Bronze finish, Flush Edition



**The high-quality bronze look is created in a cost-intensive process and shows individual and beautiful bronze gradients.**



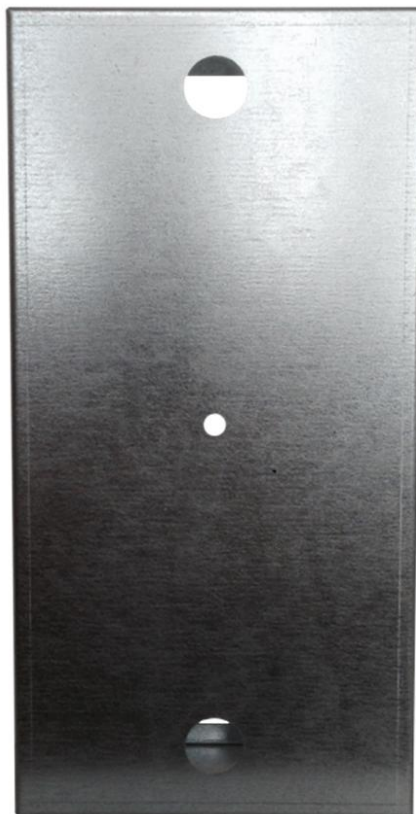


## Technical data

| General                                |   | Video   |  |
|--|---|---|--|
| <b>Housing</b>                         | Front panel 3,0mm brushed Stainless steel with bronze finish by electroplating, galvanized steel sheet flush-mounted housing  | <b>Camera</b>   | HDTV 720p, dynamic (VGA – HDTV)  |
| <b>Doorbell button</b>                 | Stainless-steel button with illuminated LED Ring  | <b>Lens</b>   | High-end Ultra wide-angle Hemispheric Lens 180° horizontal, 90° vertical, straightened, IR-capable |
| <b>Nameplate</b>                       | Illuminated   | <b>Night-vision</b>                                     | Yes, Light sensor, Automatic IR-Cut Filter   |
| <b>Mounting type</b>                   | Flush-mounted   | Audio   |  |
| <b>Power supply</b>                    | 15VDC (power 110-240VAC) or Power over Ethernet (PoE 802.3af Mode-A)  | <b>Audio components</b>                                 | Speaker and microphone, Echo and Noise Canceller   |
| <b>Weight</b>                          | 1.35 KG   | <b>Audio streaming</b>                                  | Two-way  |
| <b>Connectors</b>                      | Power, Electric door opener / strike, Door chime, Door opener button, Network   | Network   |  |
| <b>Outdoor-ready</b>                   | Yes, IP54   | <b>WiFi</b>   | 802.11b/g/n 2.4GHz   |
| <b>Approvals</b>                       | CE, IC, FCC, IP54   | <b>Ethernet</b>   | Connector  |
| <b>Dimensions</b>                      | 215 x 125 x 59mm (H x W x D)  | Motion sensor   |  |
| <b>Operating conditions</b>            | - 20 to +40°C Humidity 10 to 85% RH (non condensing)  | <b>Type</b>   | Passive Infrared sensor (PIR)  |
| <b>Included accessories</b>            | Video Door Station, front panel, flush-mounted housing, Power supply unit (world-wide, 110-240V), , DIN-Rail power supply sold separately, Screw package, Quickstart Guide , 2x 1m antenna extension cable, 2x external antenna | <b>Detection angle</b>                                  | 180°   |
| <b>EAN</b>                             | 4260423860186   | <b>Range</b>  | 2-8m (dep. on environm.)   |
| Current system requirements            |   | Illumination  |  |
| <b>Mobile device</b>                   | Latest iOS on iPhone /iPad, latest Android on Smartphone or Tablet  | <b>Lighting ring</b>                                    | 12 intelligent Infrared LEDs   |
| <b>Internet</b>                        | High-Speed landline broadband Internet connection, DSL, cabel or Fiber, min. 500kbs Uploadbandwidth, no Socks- or Proxyserver   | <b>Range</b>  | 2-8m (dep. on environm.)   |
| <b>Network</b>                         | 802.11b/g/n 2.4GHz or Ethernet network, with DHCP   | Integrated wireless modules                             |  |
| <b>Recommended installation height</b> | Camera lens should be at a min. height of 125cm   | <b>WiFi</b>   | 2,4 GHz, external antenna  |
|  |   | <b>RFID</b>   | 433 MHz, external antenna  |
|  |   | <b>Bluetooth</b>  | Available separately   |
|  |   | Optional accessories                                    |  |
|  |   | <b>Sold separately</b>                                  | DIN-Rail Power supply A002, BirdGuard B101   |
|  |   | Special remarks   |  |
|  |   | The assembly requires professional skills or technician |  |



More photos

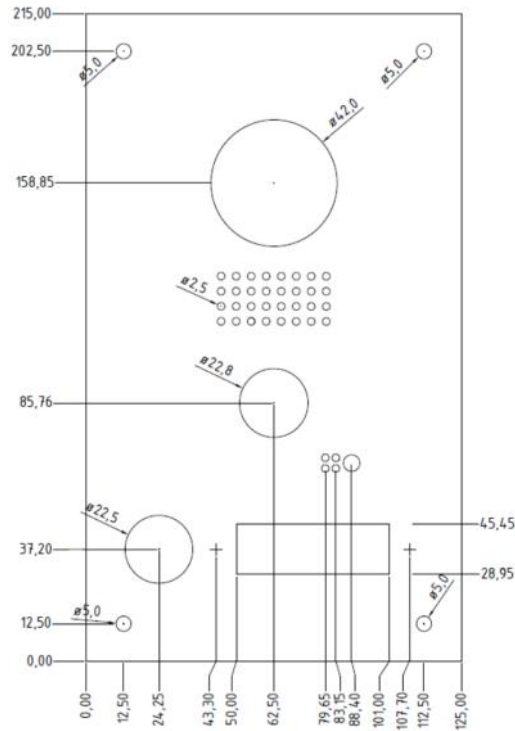




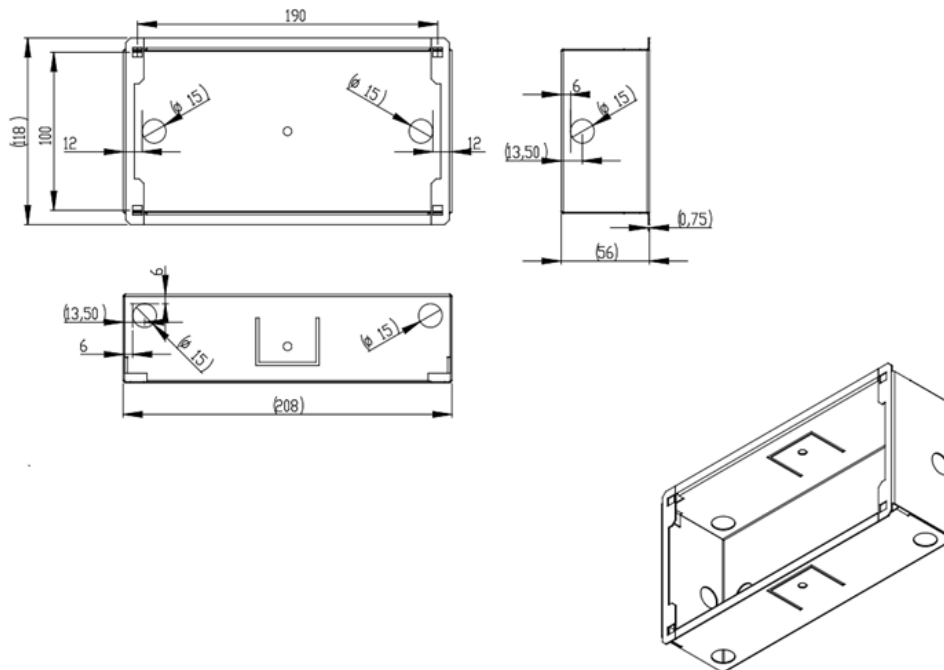
## Technical Drawings

### Front panel, data in mm

Material thickness: 3,0



### Mounting housing, data in mm



The installation of the Video Door Station to a wall or fence requires professional skills and suitable tools e.g. drilling machine, drill, dowels and if necessary spacers. These are not included.