
Carino (2010)
Parts List

ARJOHUNTLEIGH
GETINGE GROUP



General information

Note. All article numbers starting with **85** indicates that more than one detail is included in the article number. Blue text indicates changes compared to previous manual.

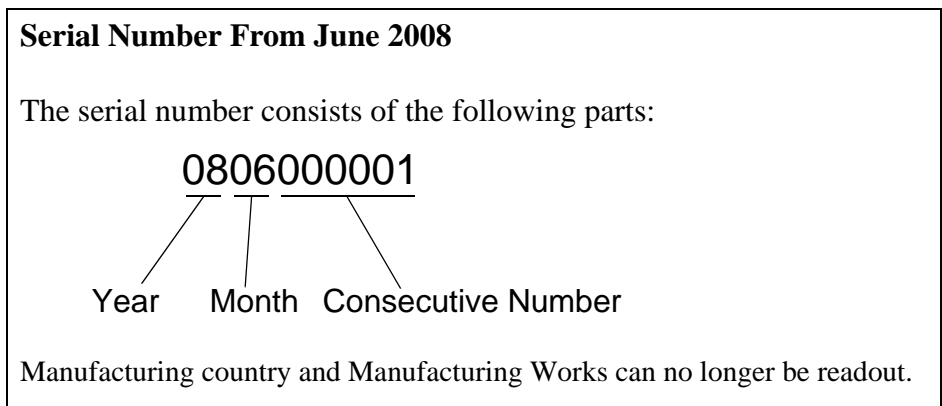
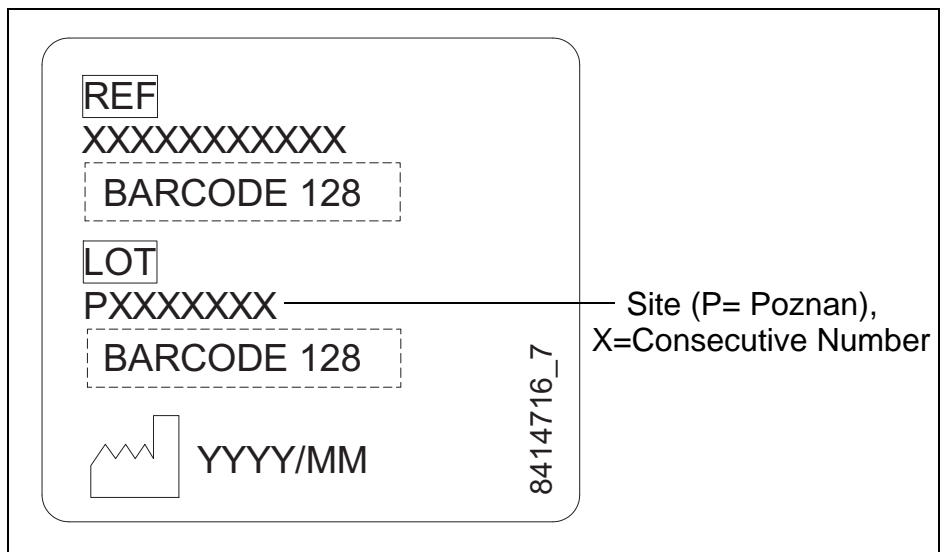
How to order

Before ordering spare parts study the exploded view closely and make sure that you note all involved spare parts.

Please note that gaskets and o-rings normally are included in kits and can not be ordered separately.

When taking contact with ArjoHuntleigh Parts sales always have the following information at hand:

- Correct name of the product. See type label.
- The serial number of the product. See labels.



:

.

Contents Carino 2010 (BOC100x-01)

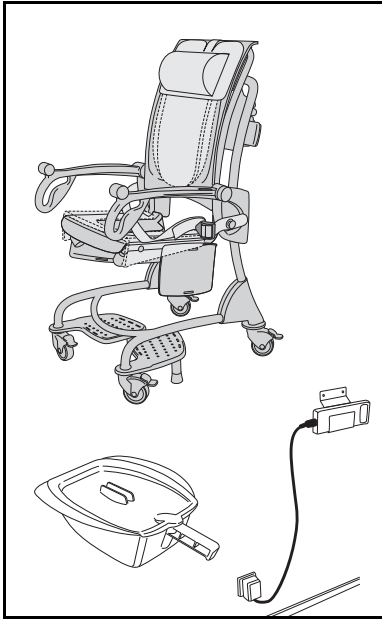
Overview	4
A General	6
B Chassis	8
C Seat	10
D Lifting Unit	12
Preventive Maintenance Parts/Recommended Spares	14
Service Articles and Special Tools	15

Overview

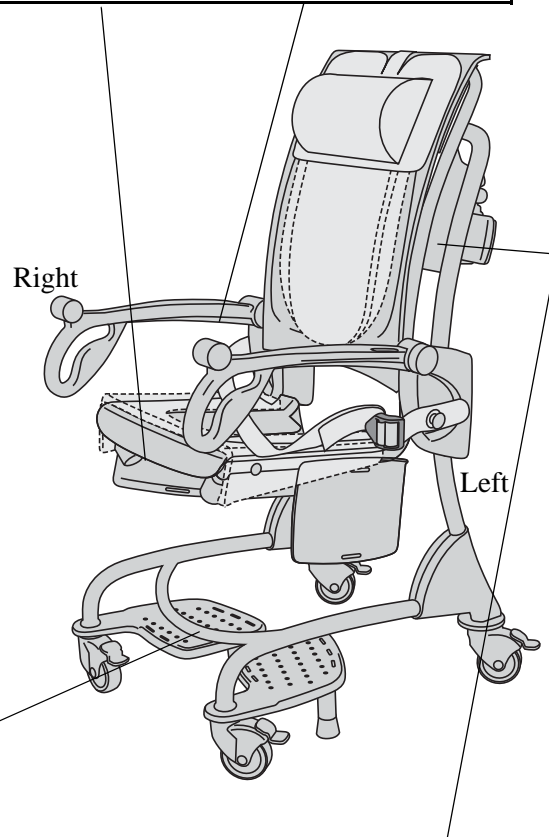
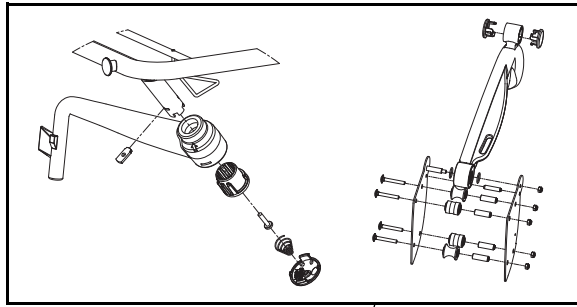
Pos	Description	See page
A	General	6
B	Chassis and seat	8
C	Seat	10
D	Lifting Unit	12

Overview

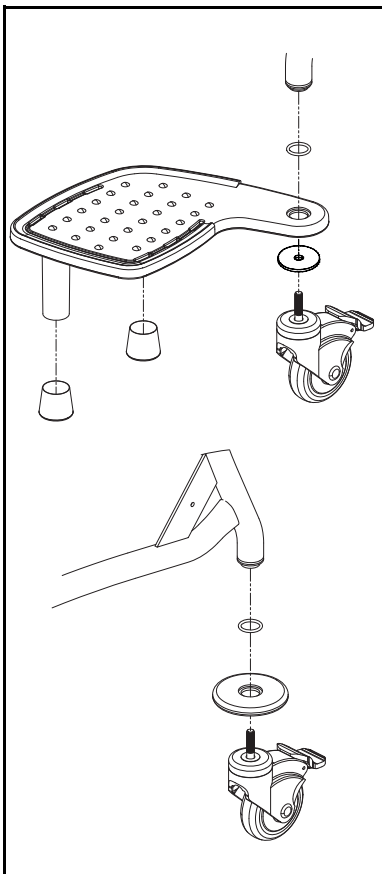
A



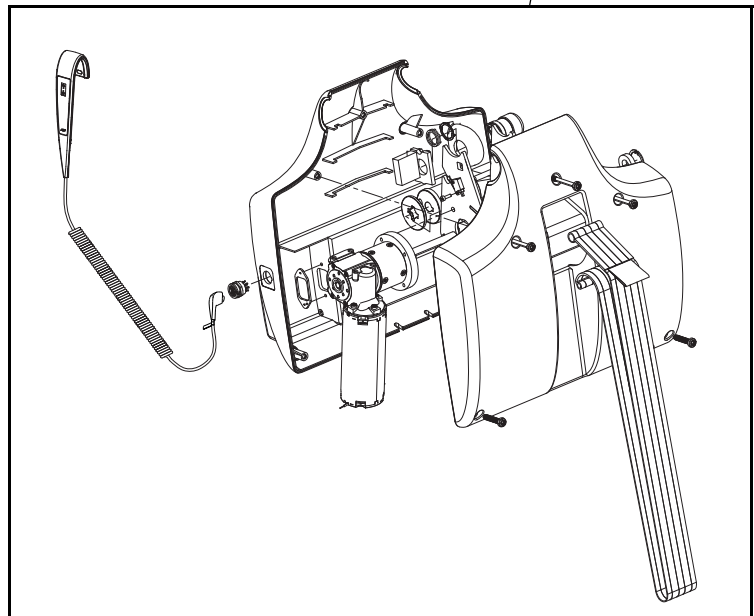
C



B



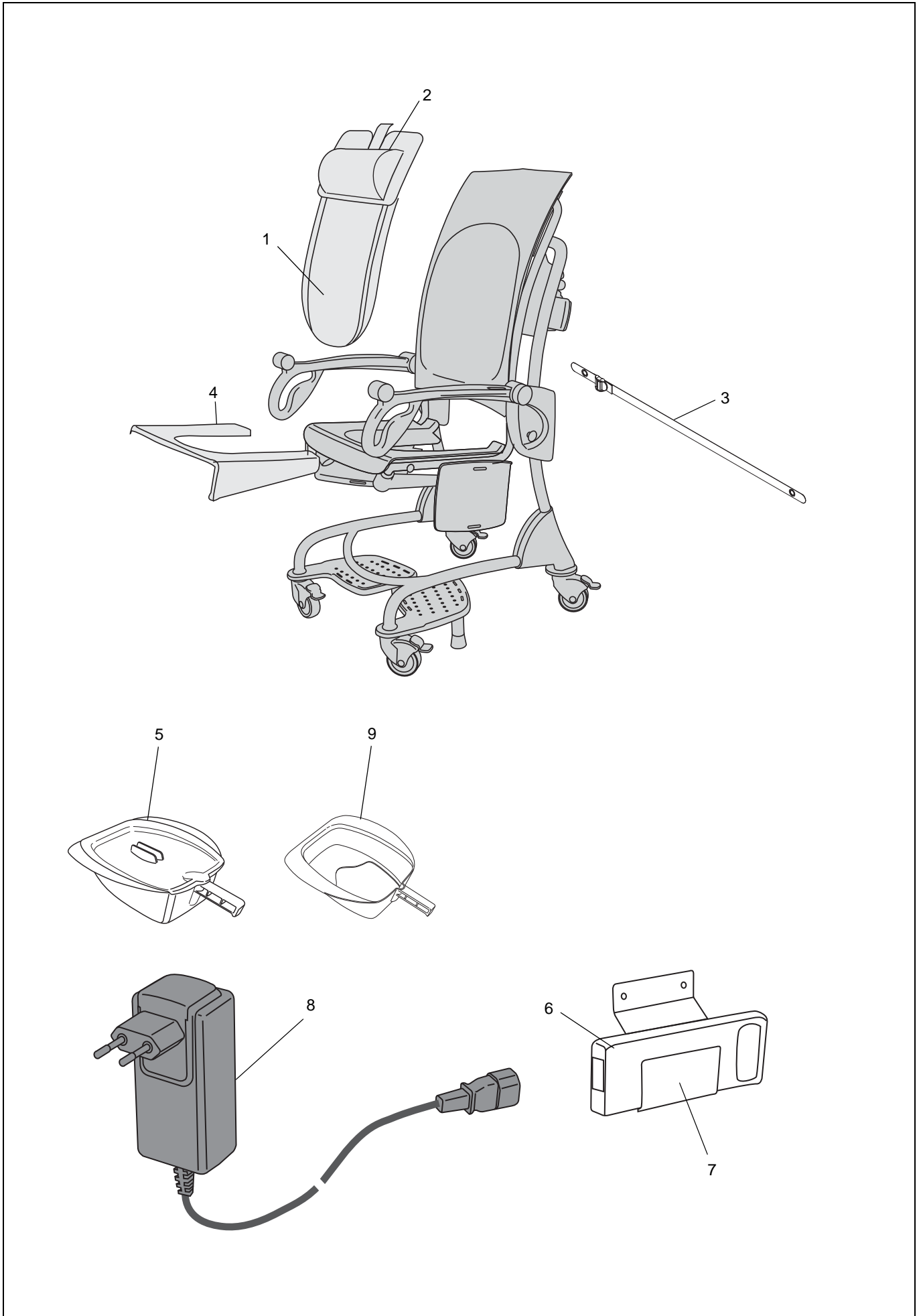
D



A*General*

Pos	Art. No.	Qty	Description	From ser. No.	Up to ser. No.	Remarks
1	NEA 0001-031	1	Back Pillow			
2	8350897-031	1	Neck Pillow			
3	S8662611-03	1	Safety Belt			In production1206000968.
4	NEA 0005	1	Seat Cushion			
5	CDA1500-07	1	Bed Pan			
6	NEA 0100-083	1	Battery			
7	8350891-031	1	Battery Holder			
8	NEA8000-WW NEA8000-AU	1	Battery Charger			New version autumn 2013, AU-version also used for Japan
9	CDA1600-07	1	Toilet Adaptor			

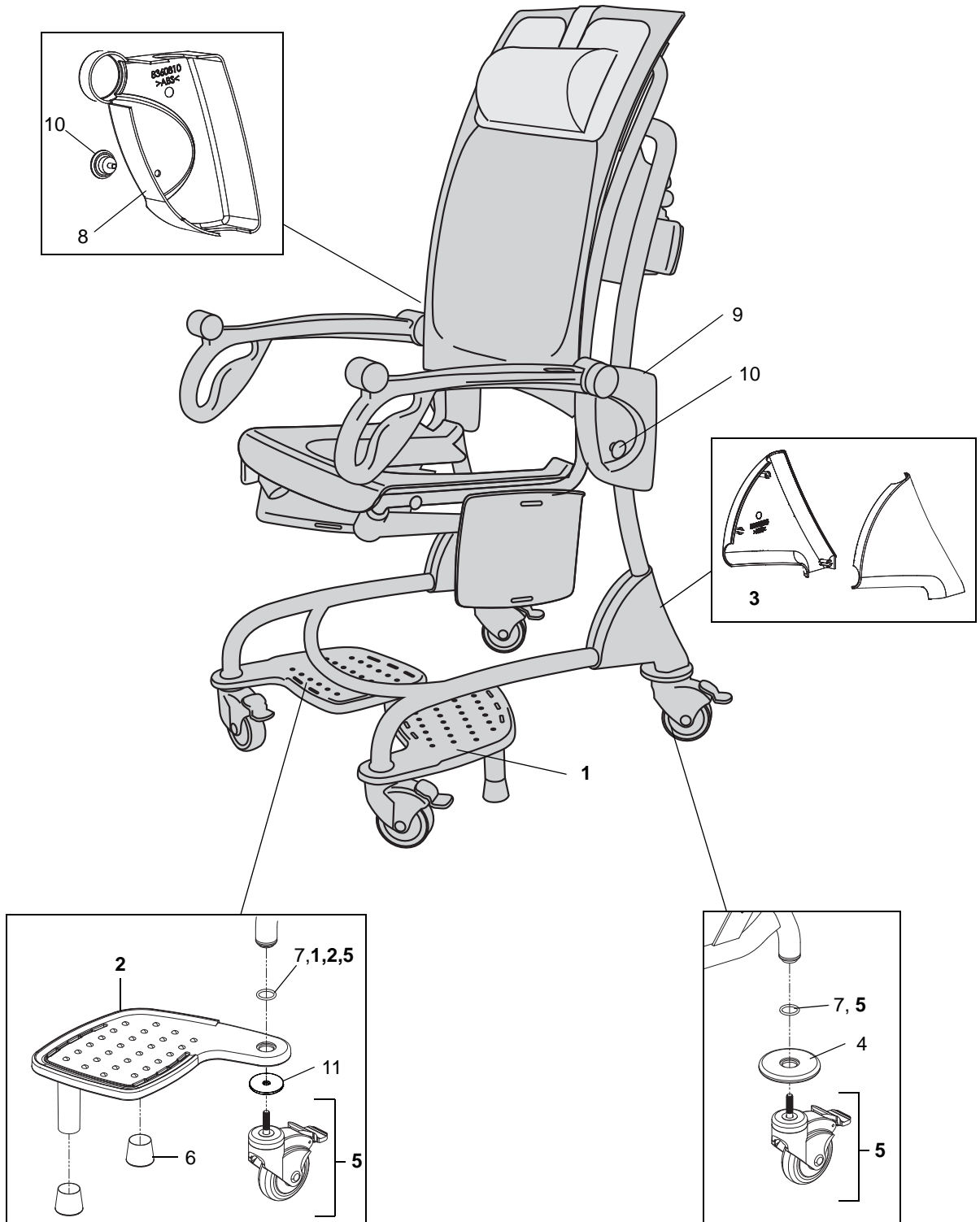
A



B**Chassis**

Pos	Art. No.	Qty	Description	From ser. No.	Up to ser. No.	Remarks
1	8547077-035	1	Foot Support, left			Incl pos 6,7
2	8547078-035	1	Foot Support, right			Incl pos 6,7
3	8547079-035	2	Cover Chassis, kit			
4	8360921-035	2	Protection Ring			
5	8547076	4	Castor, kit			Use Castor replacement tool, see page 15
6	6305150	4	Foot			
7	6262465	4	O-ring			
8	8360810-035	1	Carriage Cover, right			
9	8360809-035	1	Carriage Cover, left			
10	8456474-013	2	Knob			
11	8455977	2	Washer			

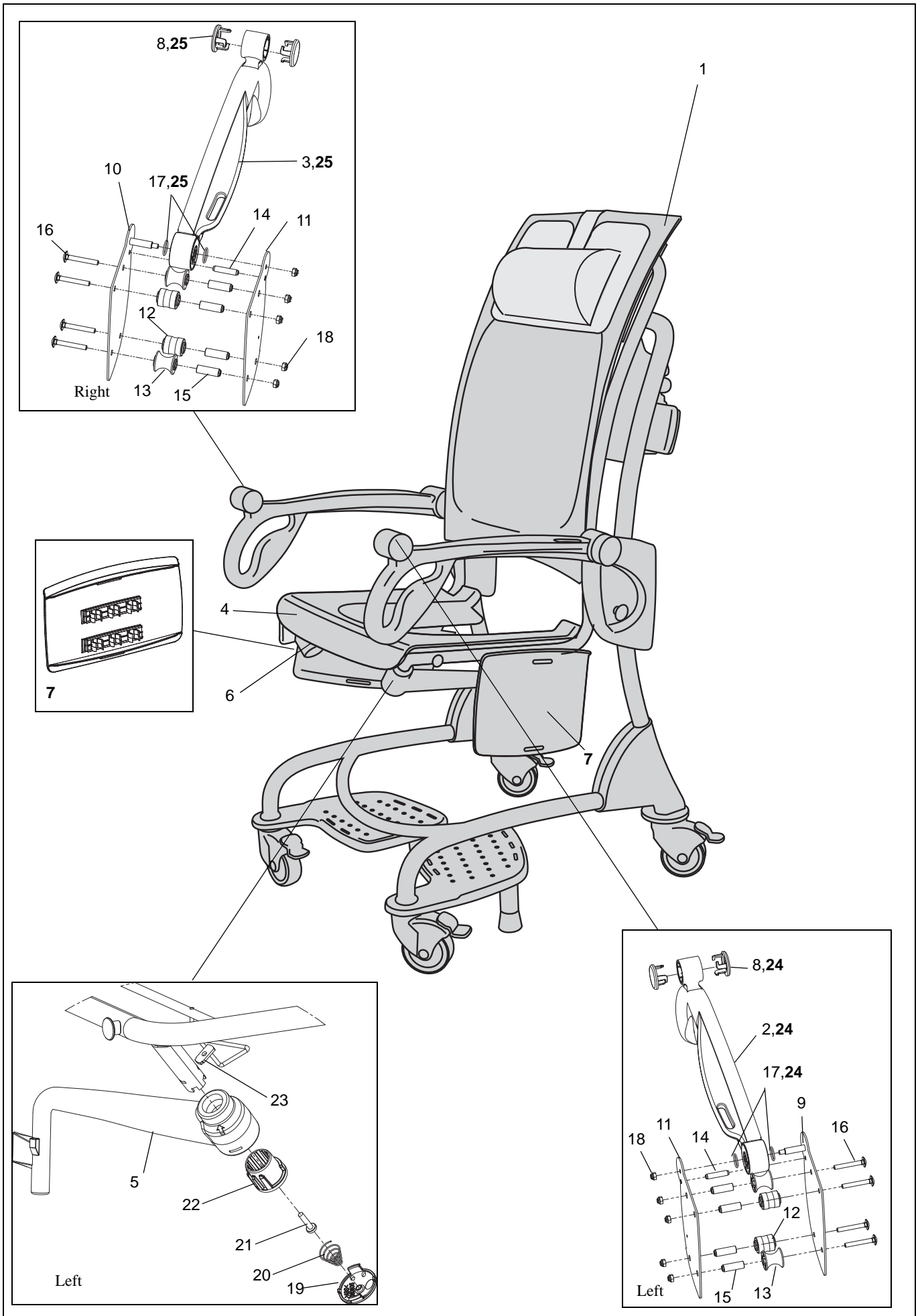
B



C*Seat*

Pos	Art. No.	Qty	Description	From ser. No.	Up to ser. No.	Remarks
1	8160762-013	1	Backrest			
2	8160823-014	1	Armrest, left			
3	8160765-014	1	Armrest, right			
4	8256287-013	1	Seat, dark blue			
5	8360805-035	1	Leg Support Arm, left			
6	8360804-035	1	Leg Support Arm, right			
7	8546860-013	2	Leg Support ,dark blue			
8	8460816-083	4	Armrest knob			
9	8360817-013	1	Plate, left			
10	8360818-013	1	Plate, right			
11	8260771	2	Plate			
12	8460842	4	Roller, guide			
13	8460843	4	Roller, support			
14	8460782	2	Stop pin			
15	8460768	8	Spacer			
16	6190590-013	8	Bolt			
17	6262441	4	O-ring			
18	6210044	10	Locking Nut A4 DIN 985 M8-80			
19	8360806-035	2	Cover leg support			
20	6305174	2	Spring			
21	6190511	2	Screw A4-MRT-TT ISO 14583 M6x25			BUMAX HARD
22	8360807	2	Bearing			
23	8460803	2	Locking plate			
24	8547093-014	1	Armrest complete, left			
25	8547092-014	1	Armrest complete, right			

C

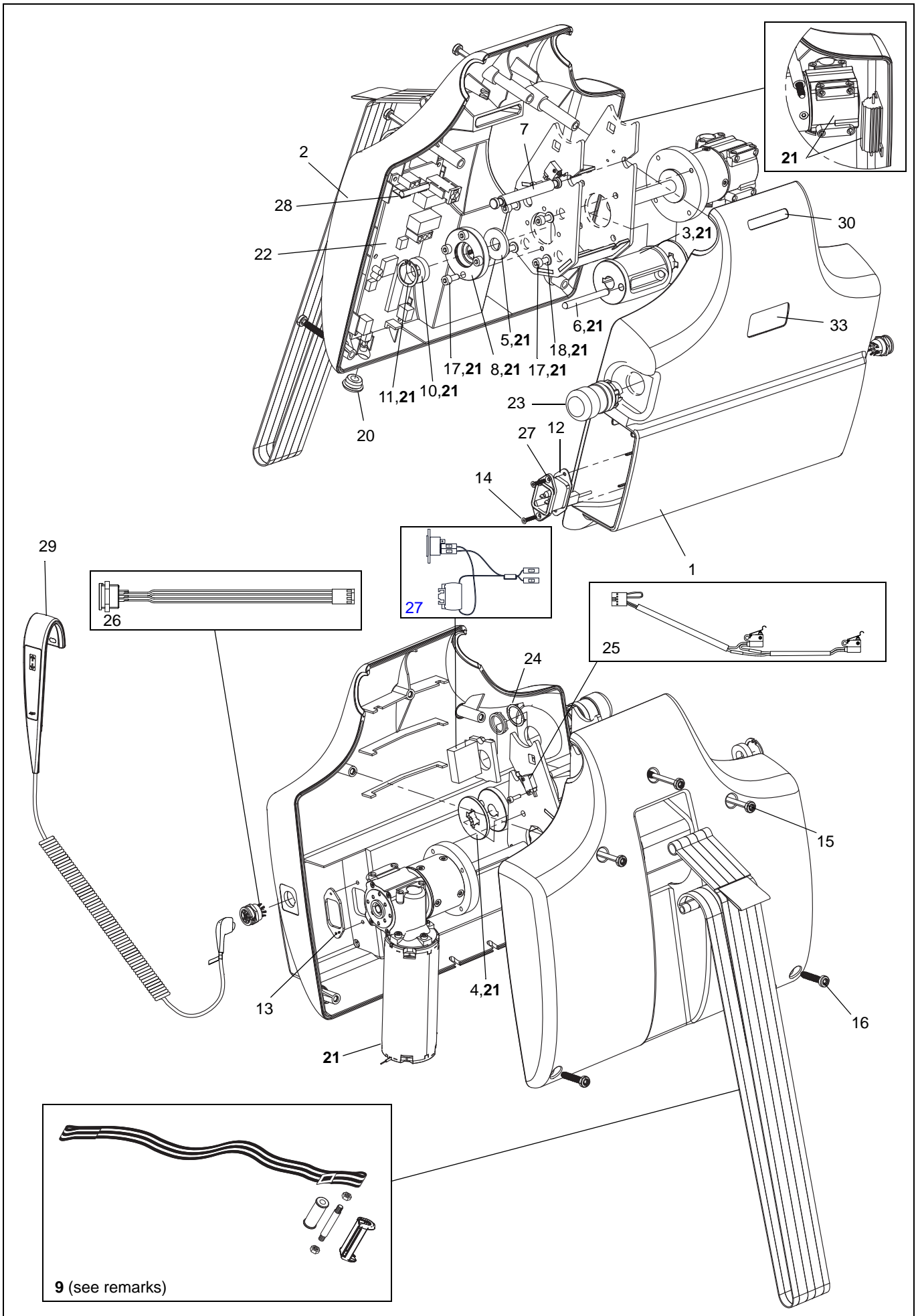


D

Lifting Unit

Pos	Art. No.	Qty	Description	From ser. No.	Up to ser. No.	Remarks
1	8360821-014	1	Cover, back			
2	8360822-014	1	Cover, front			
3	8360799	1	Drum			
4	8460801	1	Washer, drum			
5	8460819	1	Washer, bearing			
6	8460800	1	Pin, drum			
7	8460802	1	Shaft			
8	8460820	1	Bearing house			
9	8547080-013	1	Lift Strap Replacement Kit			
10	6310132	1	Ball bearing			
11	6319532	1	Clip			
12	8451301	1	Gasket			
13	8451284	1	Washer			
14	6190245	1	Screw A4-MFX ISO 7046 M3x16-80-Z			
15	6190587	3	Screw WN 5452 60x60 zinc plated			
16	6190588	2	Screw WN 5452 60x30 zinc plated			
17	6130512	8	Screw A4 MC6S ISO 4762 M5x12-80			
18	6200002	4	Washer A4 BRB ISO 7089 5.3x10x1			200HV
19	6130310	2	Screw A4 MC6S ISO 4762 M3x10-88			BUMAX
20	6316270	1	Plug			
21	8547081	1	Kit Motor			Incl pos 3-6,8,10,11,17,18. New version motor PO345271
22	8663773	1	PCB			New part number 1303001104
23	6319516	1	Push Button, red			
24	8664495	1	Rotation stop			Introduced 1311000603
25	8361614	1	Microswitch Harness			
26	8361615	1	Handcontrol Harness			
27	S8561617	1	Battery Harness			New version including cabling emergency stop PO345271.
28	6379273	1	Fuse T5AL 250V 6,3x32mm			
29	8560008	1	Handcontrol			
30	8418758	1	Carino Logo			
31	8418741	1	Label read Manual			
32	8418762	1	Label Emergency lowering			
33	8418700	1	ARJOHuntleigh Logo			

D



Carino

Preventive Maintenance Parts/Recommended Spares

Preventive Maintenance Parts	Part number	Number of Carino		Page
		1	5	
Castor Kit (Use Castor replacement tool)	8547076	4	20	B:5
Safety belt	S8662611-03	1	5	A:3

Recommended Spares	Part number	Number of Carino		Page
		1	5	
Backrest	8160762-013	1	1	C:1
Battery	NEA 0100-083	1	2	A:6
Carriage Cover, left	8360810-035	1	1	B:9
Carriage Cover, right	8360809-035	1	1	B:8
Foot	6305150	2	4	B:6
Foot Support, left	8547077-035	1	1	B:1
Foot Support, right	8547078-035	1	1	B:2
Fuse T5AL 250V 6,3x32mm	6379273	1	1	D:28
Handcontrol	8560008	1	2	D:29
Leg Support	8546860-013	2	2	C:7
Lift Strap Replacement Kit	8547080-013	1	1	D:15
Cover Chassis, kit	8547079-035	1	1	B:3
PCB	8663773	1	1	D:22
Seat	8256287-013	1	1	C:4

Carino

Service Articles and Special Tools

Service Articles	Type	Quantity	Part number
Shell Gadus S3 A1300C	Lubrication	400g cartridge	6907945
OKS1110	Lubrication	100g	6907954
Touch-up paint	Grey	20ml	6951007-031
Touch-up paint	Dark Blue	20ml	6951007-31

Special Tools	Part number
Battery Condition Tester (Electric version)	8662950
Spare Part bulb for 8662950	S6311425
Logger	8559816
Castor replacement tool	8547075 (extension+special socket)

AUSTRALIA

ArjoHuntleigh Pty Ltd
78, Forsyth Street
O'Connor
AU-6163 Western Australia
Tel: +61 89337 4111
Free: +1 800 072 040
Fax: + 61 89337 9077

BELGIQUE / BELGIË

ArjoHuntleigh NV/SA
Evenbroekveld 16
BE-9420 ERPE-MERE
Tél/Tel: +32 (0) 53 60 73 80
Fax: +32 (0) 53 60 73 81
E-mail: info@arjohuntleigh.be

BRASIL

Maquet do Brasil
Equipamentos Médicos Ltda
Rua Tenente Alberto Spicciati, 200
Barra Funda, 01140-130
SÃO PAULO, SP - BRASIL
Fone: +55 (11) 2608-7400
Fax: +55 (11) 2608-7410

CANADA

ArjoHuntleigh
90 Matheson Boulevard West
Suite 300
CA-MISSISSAUGA, ON, L5R 3R3
Tel/Tél: +1 905 238 7880
Free: +1 800 665 4831 Institutional
Free: +1 800 868 0441 Home Care
Fax: +1 905 238 7881
E-mail: info.canada@arjohuntleigh.com

ČESKÁ REPUBLIKA

ArjoHuntleigh s.r.o.
Hlinky 118
CZ-603 00 BRNO
Tel: +420 549 254 252
Fax: +420 541 213 550

DANMARK

ArjoHuntleigh A/S
Vassingerødvej 52
DK-3540 LYNGE
Tel: +45 49 13 84 86
Fax: +45 49 13 84 87
E-mail:
dk_kundeservice@arjohuntleigh.com

DEUTSCHLAND

ArjoHuntleigh GmbH
Peter-Sander-Strasse 10
DE-55252 MAINZ-KASTEL
Tel: +49 (0) 6134 186 0
Fax: +49 (0) 6134 186 160
E-mail: info-de@arjohuntleigh.com

ESPAÑA

ArjoHuntleigh Ibérica S.L.
Ctra. de Rubí, 88 1ª planta - A1
08173 Sant Cugat del Vallés
ES- BARCELONA 08173
Tel: +34 93 583 11 20
Fax: +34 93 583 11 22
E-mail: info.es@arjohuntleigh.com

FRANCE

ArjoHuntleigh SAS
2 Avenue Alcide de Gasperi
CS 70133
FR-59436 RONCQ CEDEX
Tél: +33 (0) 3 20 28 13 13
Fax: +33 (0) 3 20 28 13 14
E-mail: info.france@arjohuntleigh.com

HONG KONG

ArjoHuntleigh (Hong Kong) Ltd
1510-17, 15/F, Tower 2
Kowloon Commerce Centre
51 Kwai Cheong Road
Kwai Chung
HONG KONG
Tel: +852 2207 6363
Fax: +852 2207 6368

INTERNATIONAL

ArjoHuntleigh International Ltd
ArjoHuntleigh House
Houghton Hall Park
Houghton Regis
UK-DUNSTABLE LU5 5XF
Tel: +44 (0) 1582 745 800
Fax: +44 (0) 1582 745 866
E-mail:
international@arjohuntleigh.com

ITALIA

ArjoHuntleigh S.p.A.
Via Giacomo Peroni 400-402
IT-00131 ROMA
Tel: +39 (0) 6 87426211
Fax: +39 (0) 6 87426222
E-mail: Italy.promo@arjohuntleigh.com

NEDERLAND

ArjoHuntleigh Nederland BV
Biezenwei 21
4004 MB TIEL
Postbus 6116
4000 HC TIEL
Tel: +31 (0) 344 64 08 00
Fax: +31 (0) 344 64 08 85
E-mail: info.nl@arjohuntleigh.com

NEW ZEALAND

ArjoHuntleigh Ltd
41 Vestey Drive
Mount Wellington
NZ-AUCKLAND 1060
Tel: +64 (0) 9 573 5344
Free Call: 0800 000 151
Fax: +64 (0) 9 573 5384
E-mail: nz.info@ArjoHuntleigh.com

NORGE

ArjoHuntleigh Norway AS
Olaf Helsets vei 5
N-0694 OSLO
Tel: +47 22 08 00 50
Faks: +47 22 08 00 51
E-mail:
no.kundeservice@arjohuntleigh.com

ÖSTERREICH

ArjoHuntleigh GmbH
Dörrstrasse 85
AT-6020 INNSBRUCK
Tel: +43 (0) 512 204 160 0
Fax: +43 (0) 512 204 160 75

POLSKA

ArjoHuntleigh Polska Sp. z o.o.
ul. Ks Piotra Wawrzyniaka 2
PL-62-052 KOMORNIKI (Poznan)
Tel: +48 61 662 15 50
Fax: +48 61 662 15 90
E-mail: arjo@arjohuntleigh.com

PORTUGAL

ArjoHuntleigh em Portugal
MAQUET Portugal, Lda. (Distribuidor Exclusivo)
Rua Poeta Bocage n.º 2 - 2G
PT-1600-233 Lisboa
Tel: +351 214 189 815
Fax: +351 214 177 413
E-mail: Portugal@arjohuntleigh.com

SUISSE / SCHWEIZ

ArjoHuntleigh AG
Fabrikstrasse 8
Postfach
CH-4614 HÄGENDORF
Tél/Tel: +41 (0) 61 337 97 77
Fax: +41 (0) 61 311 97 42

SUOMI

Oy Vestek AB
Martinkuja 4
FI-02270 ESPOO
Puh: +358 9 8870 120
E-mail: info@vestek.fi

SVERIGE

ARJO Scandinavia AB
Hans Michelsensgatan 10
SE-211 20 MALMÖ
Tel: +46 (0) 10 494 7760
Fax: +46 (0) 10 494 7761
E-mail: kundservice@arjohuntleigh.com

UNITED KINGDOM

ArjoHuntleigh UK
ArjoHuntleigh House
Houghton Hall Park
Houghton Regis
UK-DUNSTABLE LU5 5XF
Tel: +44 (0) 1582 745 700
Fax: +44 (0) 1582 745 745
E-mail: sales.admin@arjohuntleigh.com

USA

ArjoHuntleigh Inc.
2349 W Lake Street Suite 250
US-Addison, IL 60101
Tel: +1 630 307 2756
Free: +1 800 323 1245 Institutional
Free: +1 800 868 0441 Home Care
Fax: +1 630 307 6195
E-mail: us.info@arjohuntleigh.com

REV 15: 02/2015

GETINGE GROUP

Getinge Group is a leading global provider of products and systems that contribute to quality enhancement and cost efficiency within healthcare and life sciences. We operate under the three brands of **ArjoHuntleigh**, **Getinge** and **Maquet**. **Getinge** provides solutions for infection control within healthcare and contamination prevention within life sciences. **Maquet** specializes in solutions, therapies and products for surgical interventions, interventional cardiology and intensive care.

ARJOHUNTLEIGH

GETINGE GROUP

ArjoHuntleigh focuses on patient handling and hygiene, disinfection, DVT prevention, medical beds, therapeutic surfaces and diagnostics.



ArjoHuntleigh AB
Hans Michelsensgatan 10
211 20 Malmö, Sweden
www.arjohuntleigh.com

