

Installation & Instruction Manual



HEAT PUMP **INTER HEAT SMART**

MODELS: 50IS / 58IS / 90IS



IMPORTANT SAFETY INSTRUCTIONS
Read and follow all instructions

CONTENTS

1. PREFACE	3
2. SPECIFICATIONS	6
2.1 PERFORMANCE DATA OF SWIMMING POOL HEAT PUMP UNIT	6
2.2 DIMENSIONS FOR SWIMMING POOL HEAT PUMP UNIT	7
3. INSTALLATION AND CONNECTION	8
3.1 INSTALLATION ILLUSTRATION	8
3.2 SWIMMING POOL HEAT PUMPS LOCATION	9
3.3 HOW CLOSE TO YOUR POOL?	9
3.4 SWIMMING POOL HEAT PUMPS PLUMBING	10
3.5 SWIMMING POOL HEAT PUMPS ELECTRICAL WIRING	11
3.6 INITIAL START-UP THE UNIT	11
4. USE AND OPERATION INSTRUCTION	12
4.1 FUNCTION OF CONTROLLER	12
4.2 THE CONTROLLER USAGE	14
4.3 PARAMETER TABLE	19
4.4 MALFUNCTION TABLE	20
4.5 MAINBOARD	23
5. MAINTENANCE AND INSPECTION	26
6. APPENDIX	27
6.1 CABLE SPECIFICATION	27
6.2 COMPARISON TABLE OF REFRIGERANT SATURATION TEMPERATURE	28

1 PREFACE

This product has been made to strict production standards to provide our customers with quality, reliability, and versatility. This manual includes all the necessary information installation information, discharging and maintenance. Please read this manual carefully before you open or maintain the unit. The manufacturer will not be responsible if someone is injured or the unit is damaged, as a result of improper operation, installation, debugging, or unnecessary maintenance. It is vital The instructions within this manual must bered to. The unit must be installed by qualified personnel.

The unit can only be repaired by a qualified installer center, qualified personal or an authorized dealer.

Maintenance and operation must be carried out according to the recommended time and frequency, as stated in this manual.

Use genuine standard spare parts only.
Failure to comply with these recommendations will invalidate the warranty.

Swimming Pool Heat Pump Unit heats the swimming pool water and keeps the temperature constant.

Our heat pump has the following characteristics:

- 1 Durable.** The heat exchanger is made of PVC & Titanium tube which can withstand prolonged exposure to swimming pool water.
- 2 Installation flexibility.** The unit can be installed outdoors.
- 3 Quiet operation.** The unit comprises an efficient rotary/ scroll compressor and a low-noise fan motor, which guarantees its quiet operation.
- 4 Advanced controlling.** The unit includes a micro-controller, allowing all operation parameters to be set. Operation status can be displayed on the LCD wire controller a remote controller can be chosen as a future option.

WARNING

Do not use means to accelerate the defrosting process or to clean,
Other than those recommended by the manufacturer.

Do not pierce or burn.

Be aware that refrigerants may not contain an odor.

NOTE The manufacturer may provide other suitable examples or
may provide additional information about the refrigerant.

1 PREFACE

- This appliance is not intended for use by persons (including children) with reduced physical sensory or mental capabilities, or lack of experience and knowledge, unless they have been given supervision or instruction concerning the use of the appliance by a person responsible for their safety. Cleaning and user maintenance shall not be made by children without supervision.
- Children should be supervised to ensure that they do not play with the appliance.
- Please make sure that the unit and power connection have good earthing, otherwise may cause electrical shock.
- If the supply cord is damaged, it must be replaced by the manufacturer, its service agent, or similarly qualified persons to avoid a hazard.
- Do not operate your heat pump in a wet room such as a bathroom or laundry room.
- Before obtaining access to terminals, all supply circuits must be disconnected.
- An all-pole disconnection device that has at least 3mm clearances in all poles, and has a leakage current that may exceed 10mA, the residual current device (RCD = GFCI) having a rated residual operating current not exceeding 30mA, and disconnection must be incorporated in the fixed wiring in accordance with the wiring rules.
- Directive 2002/96/EC (WEEE):
The symbol depicting a crossed-out waste bin that is underneath the appliance indicates that this product, at the end of its useful life, must be handled separately from domestic waste, must be taken to a recycling center for electric and electronic devices or handed back to the dealer when purchasing an equivalent appliance.
- Directive 2002/95/EC (RoHs): This product is compliant with directive 2002/95/EC (RoHs) concerning restrictions on the use of harmful substances in electric and electronic devices.
- Make sure that there is a circuit breaker for the unit, lack of a circuit breaker can lead to electrical shock or fire.
- The heat pump is equipped with an overload protection system. It does not allow for the unit to start for at least 3 minutes after a previous stoppage.
- The unit can only be repaired by the qualified personnel of an installer center or an authorized dealer.
- Installation must be performed in accordance with the NEC/CEC by an authorized person only.
- USE SUPPLY WIRES SUITABLE FOR 75°C.
- Caution: Single wall heat exchanger, is not suitable for potable water connection.

2 SPECIFICATION

2.1 PERFORMANCE DATA OF SWIMMING POOL HEAT PUMP Unit *** REFRIGERANT: R410A

INTER HEAT SMART HEAT PUMP / INTER WATER				
Model		50IS	58IS	90IS
Product code		85-040-2204-0501	85-040-2204-0581	85-040-2204-0901
*Heating capacity (27/24.3°C)	kW	6.44 - 14.65	7.06 - 16.99	8.67 - 26.37
	Btu/h	22,000 - 50,000	24,100 - 58,000	29,600 - 90,000
*Heating Power Input	kW	0.74 - 2.59	0.71 - 3.32	0.71 - 3.89
*COP		8.74 - 5.66	9.97 - 5.12	10.3 - 6.78
Max current input	A	14.92	15.72	22.5
**Heating capacity (15/12°C)	kW	6.00 - 12.88	6.26 - 15.57	7.00 - 18.42
	Btu/h	20,472 - 43,981	21,359 - 53,159	23,884 - 62,900
**Heating Power Input	kW	0.74 - 2.59	0.67 - 3.27	0.99 - 3.89
**COP		8.11 - 4.98	9.34 - 4.76	7.1 - 4.8
***Heating capacity (10/6.8°C)	kW	2.84 - 8.89	3.26 - 10.87	5.00 - 14.94
	Btu/h	96,90 - 30,367	11,123 - 37,088	17,060 - 51,000
***Heating Power Input	kW	0.65 - 2.71	0.80 - 3.55	0.82 - 3.91
***COP		4.37 - 3.28	4.08 - 3.06	6.1 - 4.0
Power Supply		208-230V~/60Hz 1Ph		
Compressor Quantity		1		
Compressor		Rotary		
Fan Number		1		
Noise	dB(A)	54	54	56
Water Connection	mm	48.3	48.3	48.3
Water Flow Volume	GPM	19.37	23.77	33.02
Water Pressure Drop (max)	kPa			
Unit Net Dimensions(L/W/H)	mm	See the drawing of the units		
Net Weight	kg	see nameplate		

Heating:

- *Outdoor air temp: 80.6 F° / 75.7 F° / Inlet water temp: 80 F°
- **Outdoor air temp: 80.6 F° / 71.27 F° / Inlet water temp: 80 F°
- ***Outdoor air temp: 50.0 F° / 44.2 F° / Inlet water temp: 80 F°

Operating range:

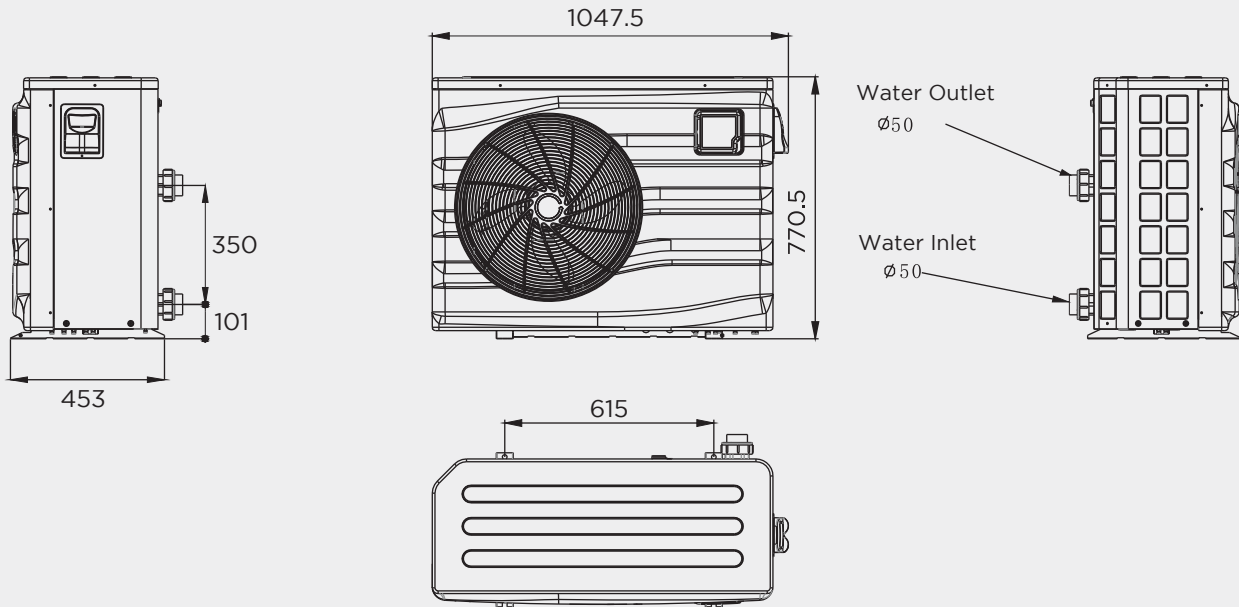
- Running ambient temperature: 19.4 F°-109.4 F°
- Running water temperature: 48.2 F°-104 F°

2 SPECIFICATION

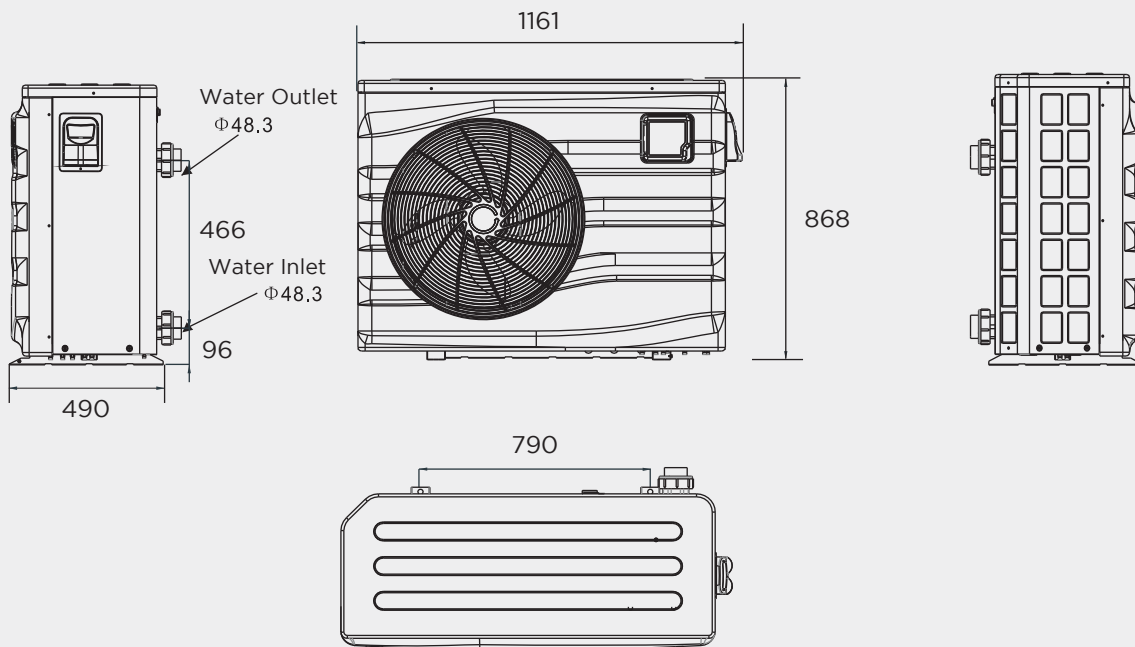
2.2 THE DIMENSIONS FOR SWIMMING POOL HEAT PUMP UNIT

Models: 50IS / 58IS

Unit: mm

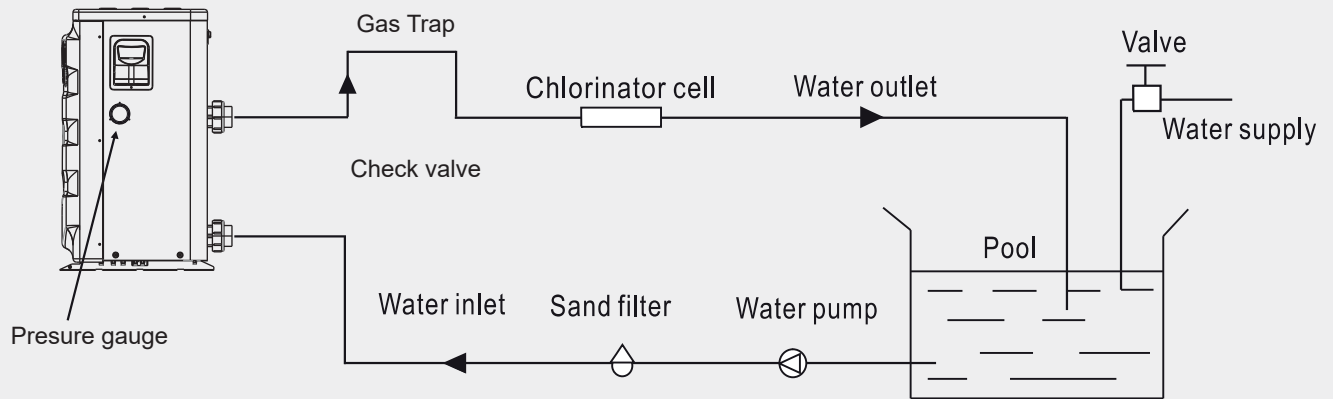


Models: 90IS



3 INSTALLATION AND CONNECTION

3.1 INSTALLATION ILLUSTRATION



Installation items:

The factory only provides the main unit and the water unit; the other items in the illustration are necessary spare parts for the water system, that are provided by users or the installer.

Attention:

Please follow these steps when using it for the first time:

- Open valve and charge water.
- Make sure that the pump and the water-in pipe have been filled with pool water.
- Close the valve and start the unit.

The schematic diagram is for reference only. Please check the water inlet/outlet label on the heat pump while plumbing installation.

3 INSTALLATION AND CONNECTION

3.2 SWIMMING POOL HEAT PUMPS LOCATION

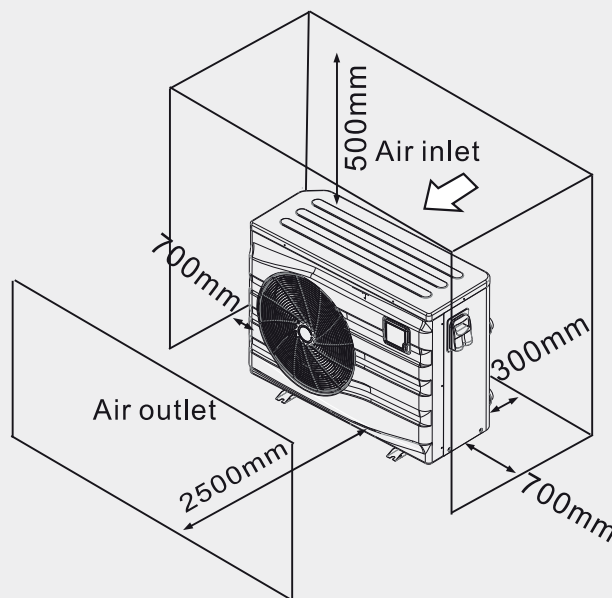
The unit will perform well in any outdoor location provided that the following three factors are present:

1. Fresh Air
2. Electricity
3. Pool filter piping

The unit may be installed virtually anywhere outdoors. For indoor pools please consult the supplier. Unlike a gas heater, it has no draft or pilot light problem in a windy area.

DO NOT place the unit in an enclosed area with a limited air volume, where the units discharge air will be re-circulated.

DO NOT place the unit in shrubs that can block their inlet. These locations deny the unit a continuous source of fresh air which reduces its efficiency and may prevent adequate heat delivery.



3.3 HOW CLOSE TO YOUR POOL?

Normally, the pool heat pump is installed within 7.5 meters of the pool. The longer the distance from the pool, the greater the heat loss from the piping. For the most part, the piping is buried. Therefore, the heat loss is minimal for runs of up to 15 meters (15 meters to and from the pump = 30 meters total), unless the ground is wet or the water temperature is high. A very rough estimate of heat loss per 30 meters is 0.6 kW-hour, (2000BTU) for every 5 °C difference in temperature between the pool water and the ground surrounding the pipe, which translates to about a 3% to 5% increase in run time.

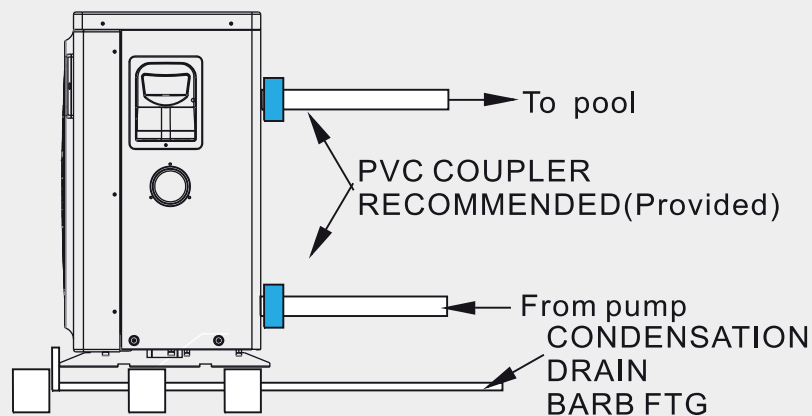
3 INSTALLATION AND CONNECTION

3.4 SWIMMING POOL HEAT PUMPS PLUMBING

The Swimming Pool Heat Pumps exclusive rated flow titanium heat exchanger requires no special plumbing arrangements except bypass (please set the flow rate according to the nameplate). The water pressure drop is less than 10kPa at max. Flow rate. Since there is no residual heat or flame Temperature, the unit does not need copper heat sink piping. PVC pipe can be run straight into the unit.

Location: Connect the unit in the pool pump discharge (return) line downstream of all filter and pool pumps, and upstream of any chlorinators, ozone generators, or chemical pumps.

Give serious consideration to adding a quick coupler fitting at the unit inlet and outlet to allow easy draining of the unit for winterizing and to provide easier access should servicing be required.



Condensation: Since the Heat pump cools down the air at about 4 -5°C, water may condense on the fins of the horseshoe-shaped evaporator. If the relative humidity is very high, this could be as much as several liters an hour. The water will run down the fins into the base pan and drain out through the barbed plastic condensation drain fitting on the side of the base pan. This fitting is designed to accept 20mm clear vinyl tubing which can be pushed on by hand and run to a suitable drain. It is easy to mistake the condensation for a water leak inside the unit.

Note: A quick way to verify that the water is condensation is to shut off the unit and keep the pool pump running. If the water stops running out of the base pan, it is condensation. AN EVEN QUICKER WAY IS to TEST THE DRAIN WATER FOR CHLORINE - if there is no chlorine present, then it's condensation.

3

INSTALLATION AND CONNECTION

3.5 SWIMMING POOL HEAT PUMPS ELECTRICAL WIRING

NOTE: Although the unit heat exchanger is electrically isolated from the rest of the unit, it simply prevents the flow of electricity to or from the pool water. Grounding the unit is still required to protect you against short circuits inside the unit. Bonding is also required.

The unit has a separate molded-in junction box with a standard electrical conduit nipple already in place. Just remove the screws and the front panel, feed your supply lines in through the conduit nipple, and wire-nut the electric supply wires to the three connections already in the junction box (four connections if three phases). To complete electrical hookup, connect the Heat Pump by electrical conduit, UF, cable, or other suitable means as specified (as permitted by local electrical authorities) to a dedicated AC power supply branch circuit equipped with the proper circuit breaker, disconnect, or time delay fuse protection.

Disconnect -A disconnecting means (circuit breaker, fused or un-fused switch) should be located within sight of and readily accessible from the unit. This is common practice on commercial and residential air conditioners and heat pumps. It prevents remotely energizing unattended equipment and permits turning off the power at the unit while the unit is being serviced.

3.6 INITIAL STARTUP OF THE UNIT

NOTE- For the unit to heat the pool or spa, the filter pump must be running to circulate water through the heat exchanger.

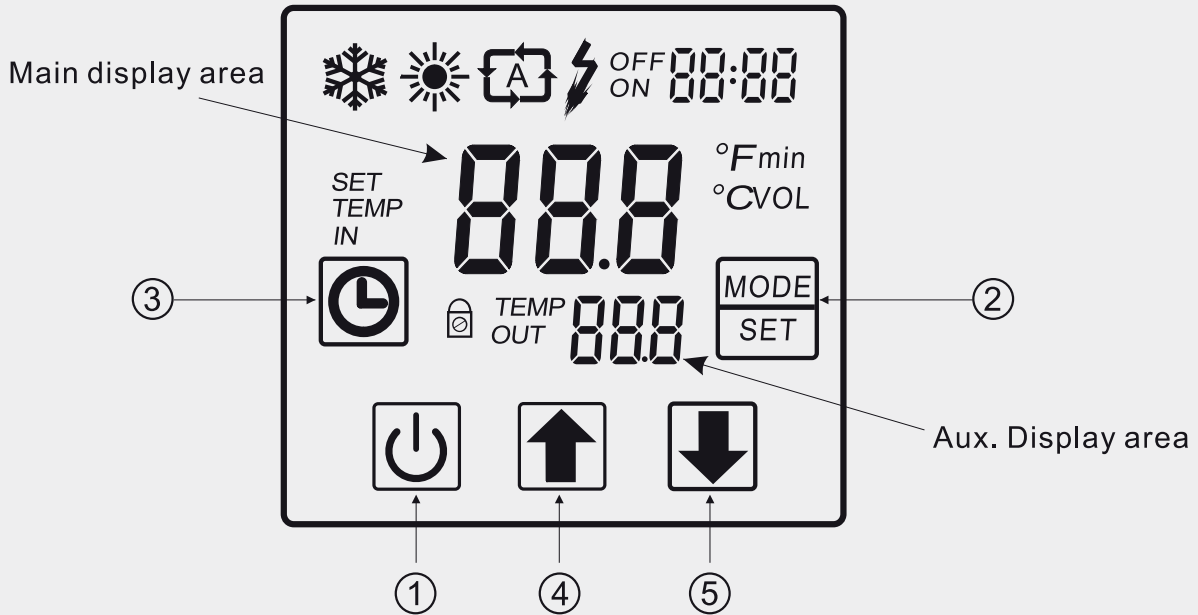
Start-up Procedure -After installation is completed, you should follow these steps:

- Turn on your filter pump. Check for water leaks and verify flow to and from the pool.
- Turn on the electrical power supply to the unit, then press the key ON/OFF of the wired controller, it should start in several seconds.
- After running for a few minutes make sure the air leaving the top(side) of the unit is cooler (Between 5-10 °C)
- With the unit operating turn, the filter pump off. The unit should also turn off automatically.
- Allow the unit and pool pump to run 24 hours per day until the desired pool water temperature is reached. When the water-in temperature reaches this setting, the unit will slow down for a period, if the temperature is maintained for 45 minutes the unit will turn off. The unit will now automatically restart (as long as your pool pump is running) when the pool temperature drops more than 0.2 below the set temperature.

Time Delay- The unit is equipped with a 3-minute built-in solid-state restart delay included to protect control circuit components and to eliminate restart cycling and contactor chatter. This time delay will automatically restart the unit approximately 3 minutes after each control circuit interruption. Even a brief power interruption will activate the solid state 3-minute restart delay and prevent the unit from starting until the 5-minute countdown is completed.

4 USE AND OPERATION INSTRUCTION

4.1 FUNCTION OF A CONTROLLER








1) BUTTON FUNCTION

NO	Symbol	Name	Function
①		On/off	Press this button can start up or shut down the unit, cancel the current operation or back to the upper interface
②		Mode	Press this button can switch modes or save parameter setting.
③		Clock	Press this button can set the clock and timer
④		Up	Press this button can move up or increase parameter value.
⑤		Down	Press this button can move down or decrease the parameter value.

4 USE AND OPERATION INSTRUCTION

2) DISPLAY FUNCTION

Symbol	Meaning	Function
	Cooling	It is showed when the unit in cooling mode.
	Heating	It is showed when the unit in heating mode and flashed in defrosting.
	Automatic	It is showed when the unit in automatic mode.
	Electric-heating	It is showed when the unit in electric-heating mode. (Swimming pool unit without this display)
ON	Timer on	It is showed when the unit sets the timer on
OFF	Timer off	It is showed when the unit sets the timer off
IN	Inlet water	It is showed when the main display area gives the inlet water temperature.(measured value)
OUT	Outlet water	It is showed when the AUX display area gives the outlet water temperature.(measured value)
TEMP	Temperature	It is showed when the main/ AUX display area gives temperature
VOL	Flow	It is showed when the main display area gives the water flow value
min	Minute	It is showed when the main display area gives minute value
°F	Fahrenheit	It is showed when the main/AUX display area gives Fahrenheit value
°C	Centigrade	It is showed when the main/AUX display area gives centigrade value
SET	Parameter setting	It is showed when the parameter can be setted.
	Lock	It is showed when the keyboard is locked.

4 USE AND OPERATION INSTRUCTION

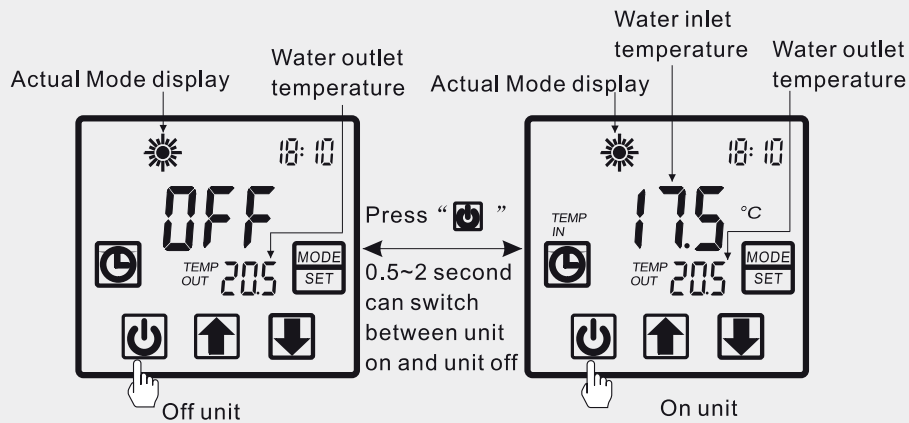
4.2 THE CONTROLLER USAGE

4.2.1 STARTING UP AND SHUTTING DOWN

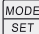
In the off interface, press  for 0.5s can start up the unit, and aux. display-area shows water outlet temperature; in the running interface, press  for 0.5s can shut down the unit and aux. display-area shows "OFF" .

Attention: the operation of starting up and shutting down can only be done in the main interface.

For example:

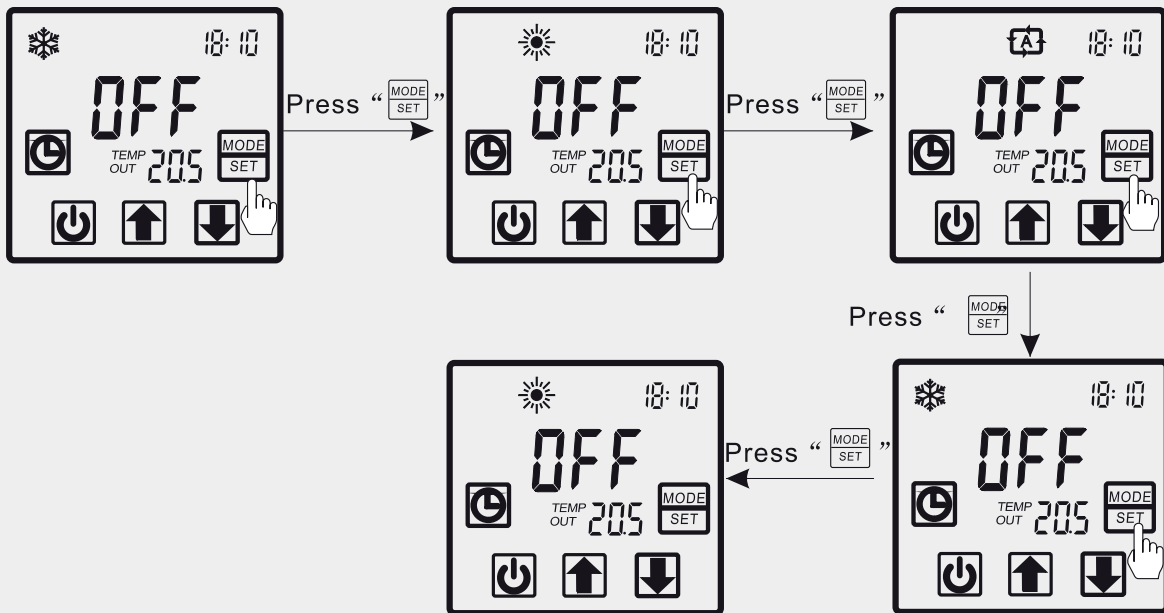


2.2 MODES SWITCHING

If it is cold/ heat unit, in the main interface, you can switch different modes of cooling, heating, auto mode by pressing  .

Attention: The modes switching is useless if the unit you buy is single-cold/ single-heat unit.

For example:



4 USE AND OPERATION INSTRUCTION

4.2.3 TEMPERATURE SETTING

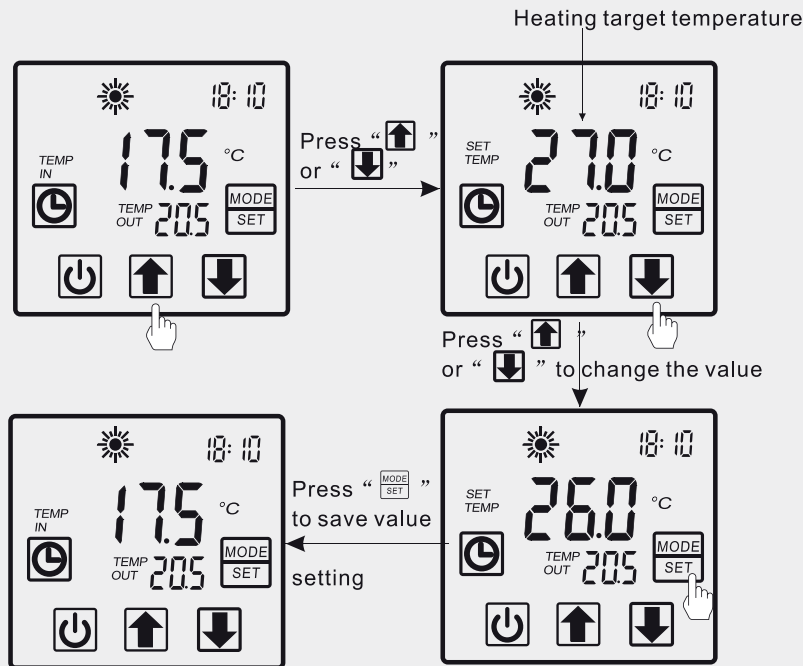
In the main interface, press "↑" or "↓" and the current mode target-temperature flashes, then press "↑" to increase the temp.value, or press "↓" to decrease it.

Press "MODE SET" can save setting parameter and back to the main interface;

Press " " can not save setting parameter but back to the main interface;

Attention: If there is no operation for 5s, system would remember parameter setting and back to the main interface.

For example:



2.4 CLOCK SETTING

In the main interface, press "⌚" twice, hours start to flashing, and press "↑" to increase value or press "↓" to decrease value, and press "⌚" to save setting;

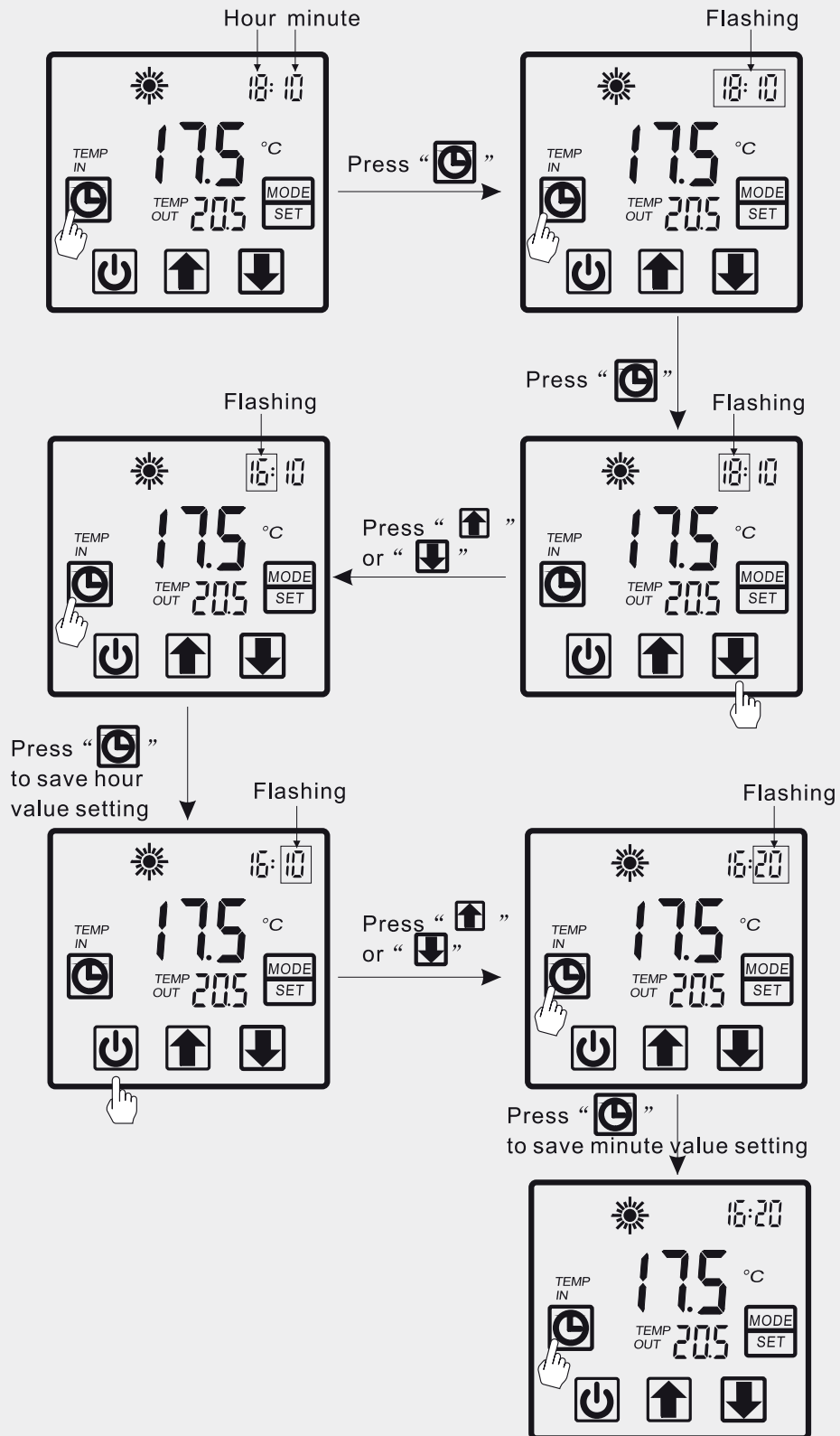
At the same time, minute start to flashing, press "↑" to increase value or press "↓" to decrease value, and press "⌚" to save setting.

Press " " can not save setting parameter and back to main interface.

Attention: If there is no operation for 5s system will remember parameter setting and back to the main interface.

For example:

4 USE AND OPERATION INSTRUCTION



4 USE AND OPERATION INSTRUCTION

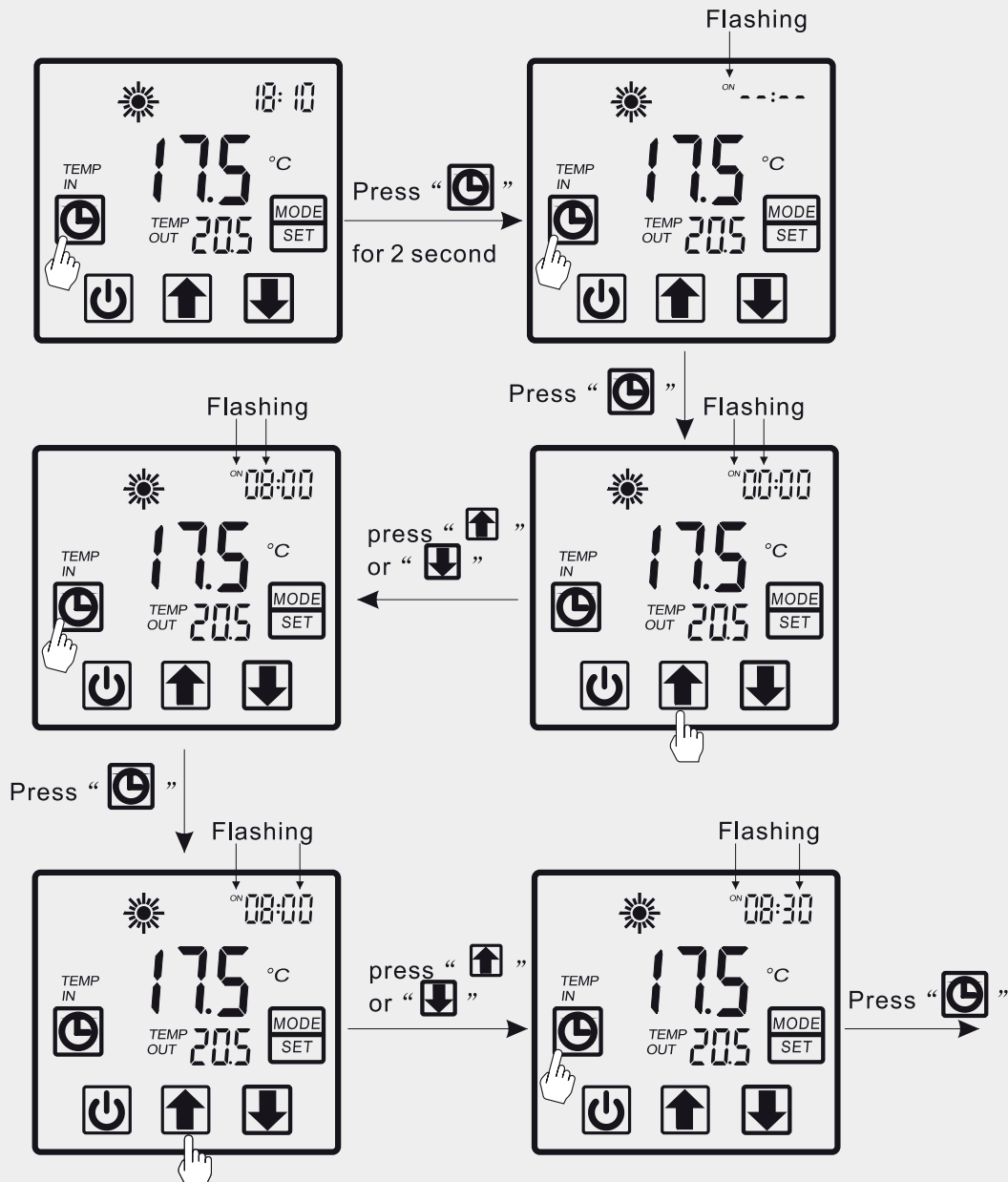
4.2.5 TIMER SETTING

In the main interface, press "⌚" hold on 2 seconds and "on" is flashing, at this time, you can set the timer on (means the unit timer is on), then press "⌚" again and hold on 2 seconds and "off" is flashes you can set the timer off (means the unit timer is off).

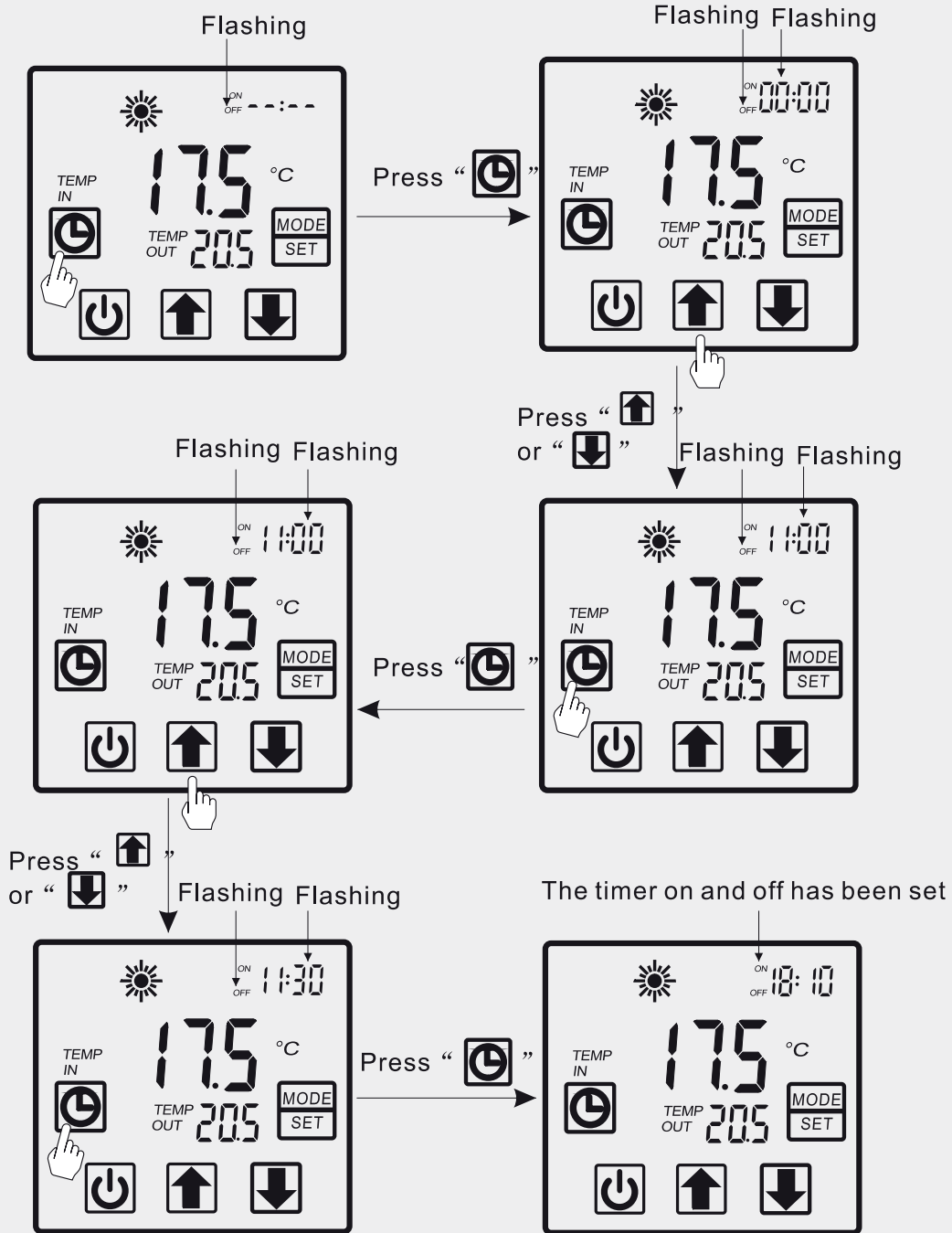
If you want cancel the timer off, In the "off" flashing interface, press "⏻" to cancel

Attention: 1) If there is no operation for 5s, system will remember clock setting and back to the main interface.

2) By pressing "⌚" till the "off" flashing, you can set the timer off without timer on.





4 USE AND OPERATION INSTRUCTION

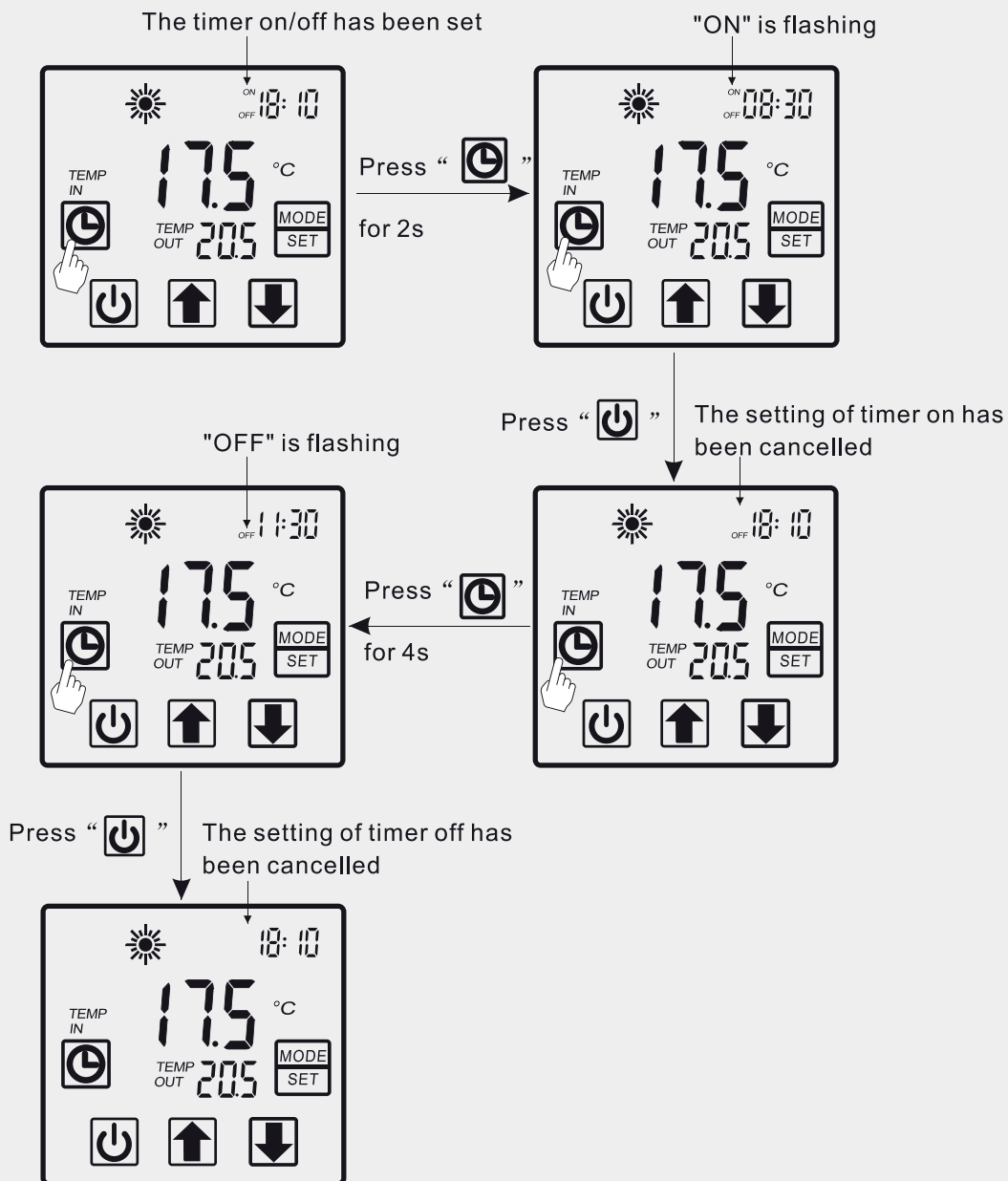


4 USE AND OPERATION INSTRUCTION

4.2.6 CANCEL THE TIMER SETTING


Press “” for 2s and “ON” is flashing, at this time, press “” to cancel the setting of timer on; It is the same way to cancel the setting of timer off.

For example:

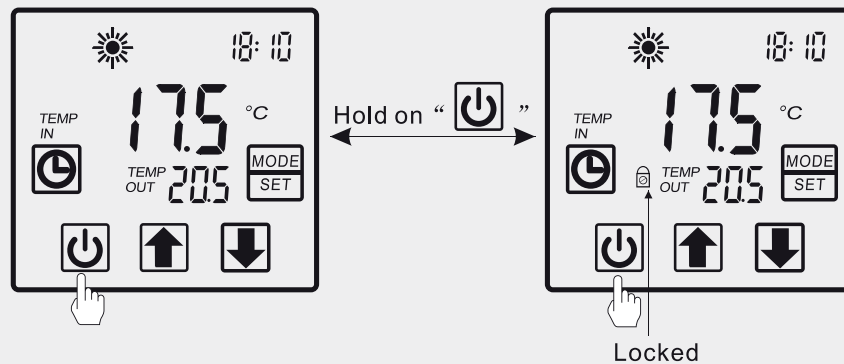


4 USE AND OPERATION INSTRUCTION

4.2.7 KEYBOARD LOCK

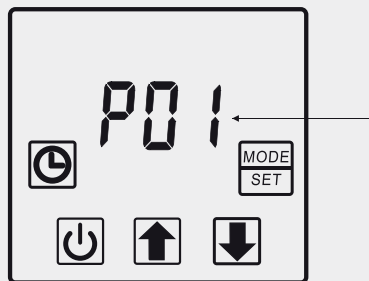
To avoid mis-operation, please lock the controller after parameter setting. At the main interface, press “

NOTES: When the unit is in alarming state, the key lock can be removed automatically.



4.2.8 MALFUNCTION DISPLAY

There will be a malfunction code showing on the controller screen when relative malfunction occurs. You can refer to the malfunction table to find out the failure cause and solution. For example:



4.3 PARAMETER TABLE

Meaning	Default	Remark
Heating inlet target temp.	27°C	Adjustable
Cooling inlet target temp.	27°C	Adjustable
Auto inlet target temp.	27°C	Adjustable

4 USE AND OPERATION INSTRUCTION

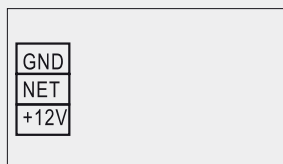
4.4 MALFUNCTION TABLE

The common failure cause and solution.

Malfunction	Display	Cause	Solution
Water inlet temp. Sensor failure	P01	The water inlet temp. Sensor is open or short circuit	Check or change the water inlet temp. Sensor
Water outlet temp. Sensor failure	P02	The water outlet temp. Sensor is open or short circuit	Check or change the water outlet temp. Sensor
Ambient temp. Sensor failure	P04	The ambient temp. Sensor is open or short circuit	Check or change the ambient temp. Sensor
Pipe temp. Sensor failure	P05	The pipe temp. Sensor is open or short circuit	Check or change the pipe temp. Sensor
Suction temp. Sensor failure	P07	The suction temp. Sensor is open or short circuit	Check or change the suction temp. Sensor
Exhaust temp. Sensor failure	P08	The exhaust temp. Sensor is open or short circuit	Check or change the exhaust temp. Sensor
High pressure protection	E01	The exhaust pressure is high ,high pressure switch action	Check high pressure switch and cooling return circuit
Low pressure protection	E02	The suction pressure is low, low pressure switch action	Check low pressure switch and cooling return circuit
Flow switch failure	E03	No water or litter water in water system	Check the flow volume ,water pump is failure or not
Temp. is too much different between water-inlet and outlet	E06	Water flow volume not enough ,water system pressure difference is small	Check the flow volume ,water system is jammed or not
Antifreezing under cooling mode	E07	Water flow volume not enough	Check the flow volume ,water system is jammed or not
The primary anti-freezing protection start	E19	Ambient temperature is too low	Check ambient temperature is too low or not
The second anti-freezing protection start	E29	Ambient temperature is too low	Check ambient temperature is too low or not
Communication failure	E08	Communication failure between remote wire controller and main board	Check the wire connection between remote wire controller and main board

5. INTERFACE DIAGRAM

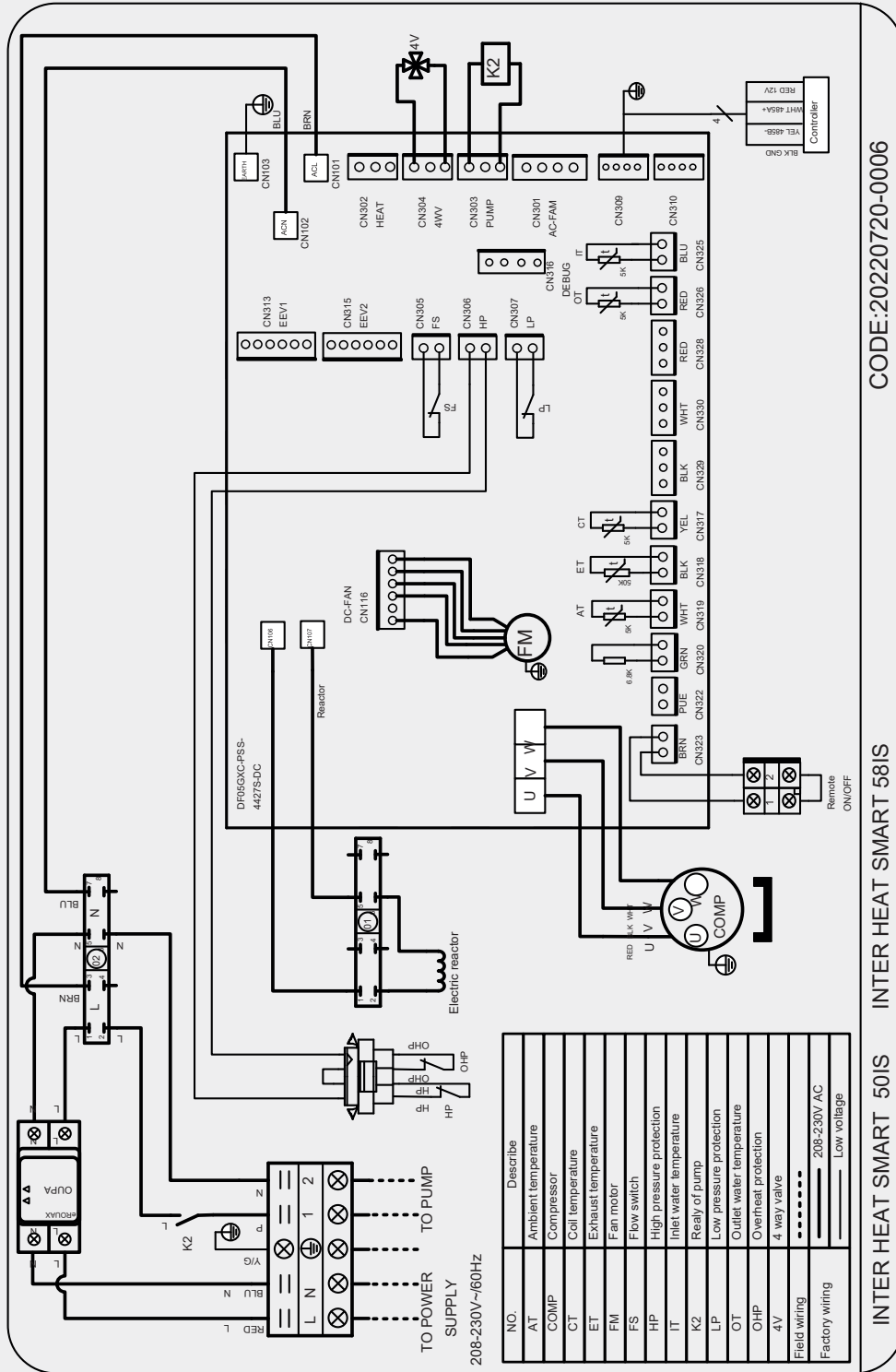
5.1 WIRE CONTROL INTERFACE DIAGRAM AND DEFINITION



Sign	Meaning
GND	GND(power-)
NET	Communication signal
12V	12V(power +)

4 USE AND OPERATION INSTRUCTION

4.5 WIRING DIAGRAM



NO.	Describe
AT	Ambient temperature
COMP	Compressor
CT	Coil temperature
ET	Exhaust temperature
FM	Fan motor
FS	Flow switch
HP	High pressure protection
IT	Inlet water temperature
K2	Relly of pump
LP	Low pressure protection
OT	Outlet water temperature
OHP	Overheat protection
4V	4 way valve
Field wiring	----- 208-230V AC
Factory wiring	_____ Low voltage

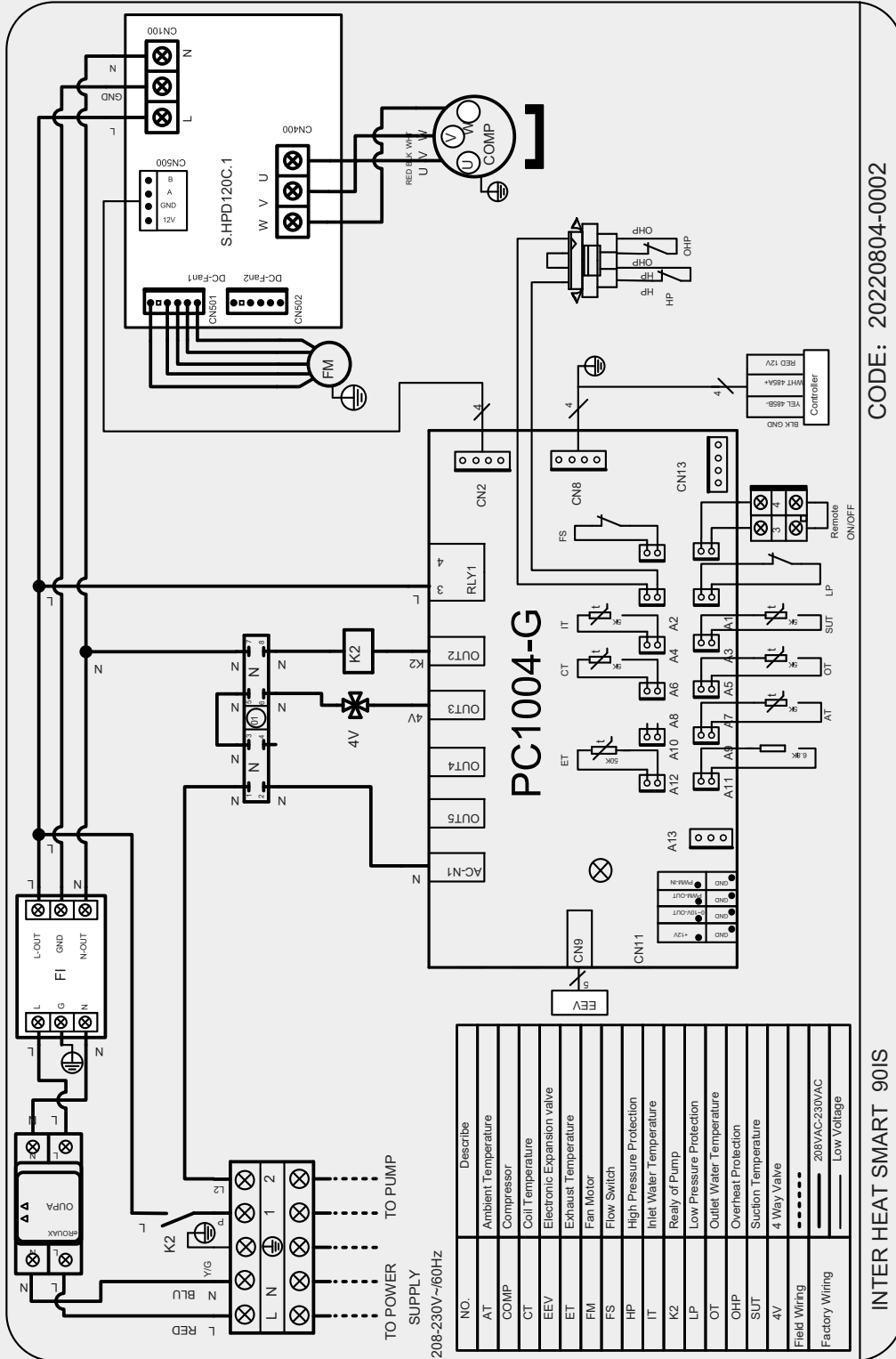
CODE:20220720-0006

INTER HEAT SMART 58IS

INTER HEAT SMART 50IS

4 USE AND OPERATION INSTRUCTION

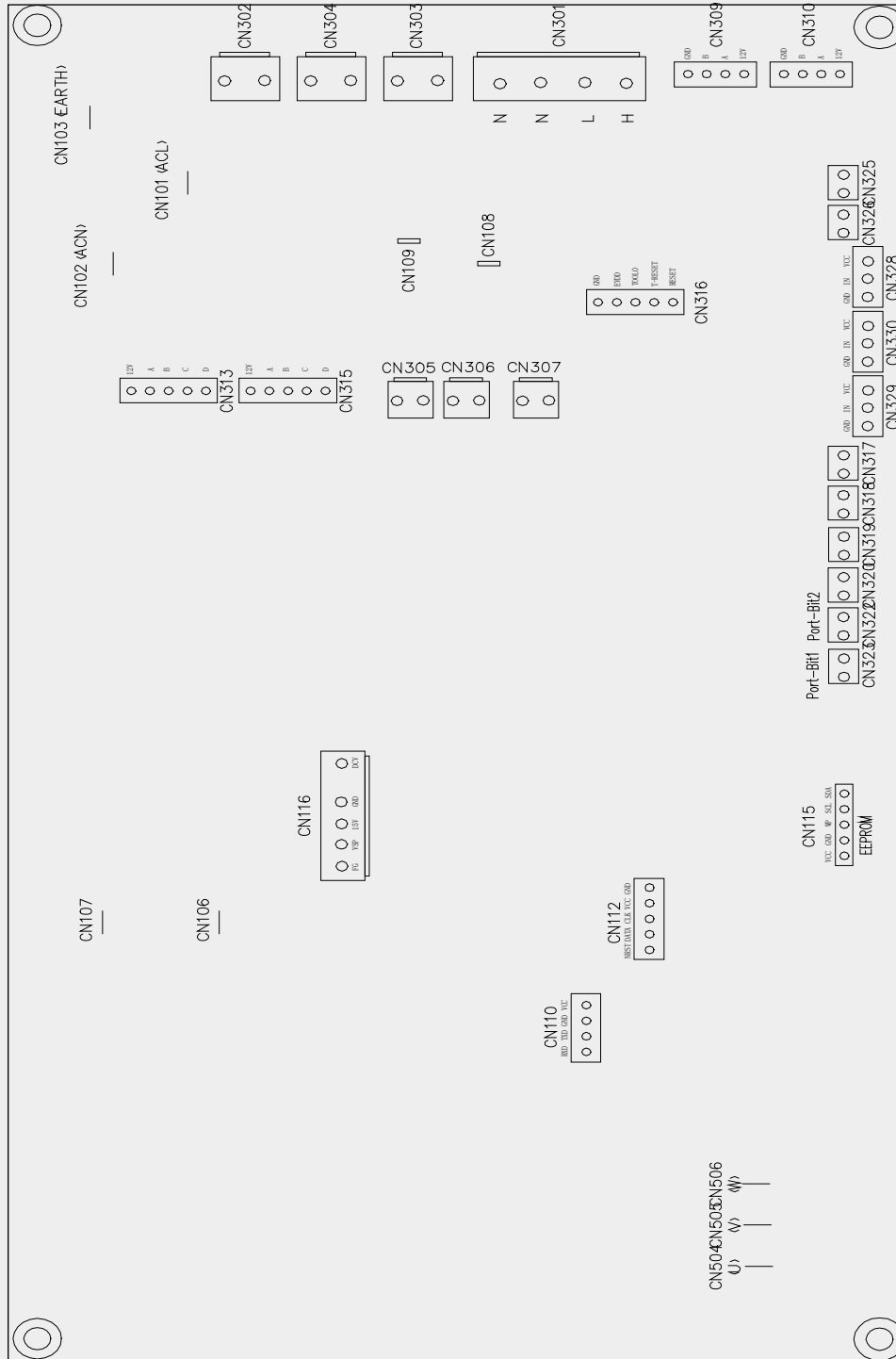
4.5 WIRING DIAGRAM



4 USE AND OPERATION INSTRUCTION

4.5 MAIN BOARD

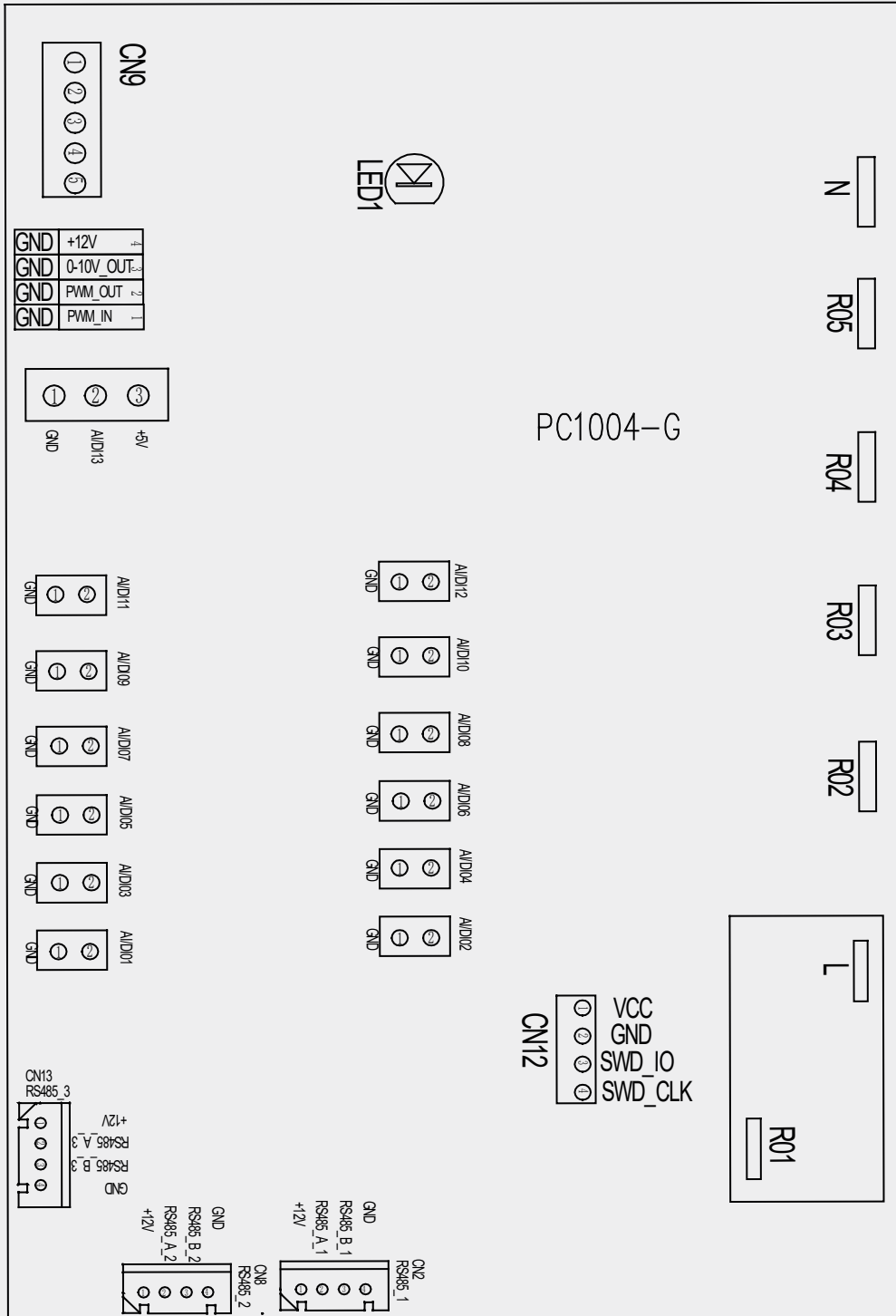
Controller interface diagram and definition



4 USE AND OPERATION INSTRUCTION

4.5 MAIN BOARD

Controller interface diagram and definition



4 USE AND OPERATION INSTRUCTION

Main board of the input and output interface instructions below

Number	Sign	Meaning
01	P8(U)	Compressor (output 220-230VAC)
02	P9(V)	
03	P10(W)	
04	CN803	Water pump (output 220-230VAC)
05	CN802	4-way valve (output 220-230VAC)
06	CN804	High speed of fan (output 220-230VAC)
07	CN805	Low speed of fan (output 220-230VAC)
08	P1(L)	Live wire (input 220-230VAC)
09	P3(N)	Neutral wire (input 220-230VAC)
10	P2(PE)	Earth wire(GND)
11	CN822	Water flow switch (input)
12	CN827	High pressure switch (input)
13	CN821	Low pressure switch (input)
14	CN806	System suction temperature (input)
15	CN814	Water input temperature (input)
16	CN810	Water output temperature (input)
17	CN812	System coil temperature (input)
18	CN811	Ambient temperature (input)
19	CN816	System Exhaust temperature (input)
20	CN600	DC Fan Motor(output 220-230VAC)
21	CN829	Pressure sensor
22	P4(L-1) P5(L-2)	Electric reactor
23	CN887 CN888	Color line controller communication
24	CN894	Electronic expansion valve
25	CN800	Heater(output 220-230VAC)
26	CN823	Emergency switch

5 MAINTENANCE AND INSPECTION

- Check the water supply device and the release often. You should avoid the condition of no water or air entering the system, as this will influence the unit's performance and reliability. You should clear the pool/spa filter regularly to avoid damage to the unit as a result of the dirty or a clogged filter.
- The area around the unit should be dry, clean, and well ventilated. Clean the side heating exchanger regularly to maintain good heat exchange and conserve energy.
- The operation pressure of the refrigerant system should only be serviced by a certified technician.
- Check the power supply and cable connection often. Should the unit begin to operate abnormally, switch it off and contact the qualified technician.
- Discharge all water in the water pump and water system, so that freezing of the water in the pump or water system does not occur. You should discharge the water at the bottom of the water pump if the unit will not be used for an extended period of time. You should check the unit thoroughly and fill the system with water fully before using it for the first time
- Semi-annual maintenance.
Evaporator cleaning (wash with water. Do not use pressure washer).
Clean the tray or base, taking special care in the drainage holes.
Check contactors (visual inspection and correct contactor engagement).
Check capacitors (visual inspection and capacitance measurement with the equipment disconnected from the power supply, having to discharge before removing the connections).
- Annual maintenance Check refrigerant pressure.

6 APPENDIX

6.1 CABLE SPECIFICATION

(1) Single phase unit

Nameplate maximum current	Phase line	Earth line	MCB	Creepage protector	Signal line
No more than 10A	2×1.5mm ²	1.5mm ²	20A	30mA less than 0.1 sec	n×0.5mm ²
10~16A	2×2.5mm ²	2.5mm ²	32A	30mA less than 0.1 sec	
16~25A	2×4mm ²	4mm ²	40A	30mA less than 0.1 sec	
25~32A	2×6mm ²	6mm ²	40A	30mA less than 0.1 sec	
32~40A	2×10mm ²	10mm ²	63A	30mA less than 0.1 sec	
40~63A	2×16mm ²	16mm ²	80A	30mA less than 0.1 sec	
63~75A	2×25mm ²	25mm ²	100A	30mA less than 0.1 sec	
75~101A	2×25mm ²	25mm ²	125A	30mA less than 0.1 sec	
101~123A	2×35mm ²	35mm ²	160A	30mA less than 0.1 sec	
123~148A	2×50mm ²	50mm ²	225A	30mA less than 0.1 sec	
148~186A	2×70mm ²	70mm ²	250A	30mA less than 0.1 sec	
186~224A	2×95mm ²	95mm ²	280A	30mA less than 0.1 sec	

(2) Three phase unit

Nameplate maximum current	Phase line	Earth line	MCB	Creepage protector	Signal line
No more than 10A	3×1.5mm ²	1.5mm ²	20A	30mA less than 0.1 sec	n×0.5mm ²
10~16A	3×2.5mm ²	2.5mm ²	32A	30mA less than 0.1 sec	
16~25A	3×4mm ²	4mm ²	40A	30mA less than 0.1 sec	
25~32A	3×6mm ²	6mm ²	40A	30mA less than 0.1 sec	
32~40A	3×10mm ²	10mm ²	63A	30mA less than 0.1 sec	
40~63A	3×16mm ²	16mm ²	80A	30mA less than 0.1 sec	
63~75A	3×25mm ²	25mm ²	100A	30mA less than 0.1 sec	
75~101A	3×25mm ²	25mm ²	125A	30mA less than 0.1 sec	
101~123A	3×35mm ²	35mm ²	160A	30mA less than 0.1 sec	
123~148A	3×50mm ²	50mm ²	225A	30mA less than 0.1 sec	
148~186A	3×70mm ²	70mm ²	250A	30mA less than 0.1 sec	
186~224A	3×95mm ²	95mm ²	280A	30mA less than 0.1 sec	

When the unit will be installed at outdoor, please use the cable which can against UV.

6 APPENDIX

6.2 COMPARISON TABLE OF REFRIGERANT SATURATION TEMPERATURE

Pressure (MPa)	0	0.3	0.5	0.8	1	1.3	1.5	1.8	2	2.3
Temperature (R410A)(°C)	-51.3	-20	-9	4	11	19	24	31	35	39
Temperature (R32)(°C)	-52.5	-20	-9	3.5	10	18	23	29.5	33.3	38.7
Pressure (MPa)	2.5	2.8	3	3.3	3.5	3.8	4	4.5	5	5.5
Temperature (R410A)(°C)	43	47	51	55	57	61	64	70	74	80
Temperature (R32)(°C)	42	46.5	49.5	53.5	56	60	62	67.5	72.5	77.4

MANUAL DE INSTALACIÓN E INSTRUCCIONES



BOMBA DE CALOR **INTER HEAT SMART**

MODELOS: 50IS / 58IS / 90IS



INSTRUCCIONES IMPORTANTES DE SEGURIDAD
LEA, SIGA Y GUARDE ESTAS INSTRUCCIONES

CONTENIDO

1. PREFACIO	3
2. ESPECIFICACIONES	6
2.1 DATOS DE RENDIMIENTO DE LA BOMBA DE CALOR PARA PISCINAS	6
2.2 DIMENSIONES DE LA UNIDAD DE BOMBA DE CALOR PARA PISCINAS	7
3. INSTALACIÓN Y CONEXIÓN	8
3.1 ILUSTRACIÓN DE INSTALACIÓN	8
3.2 UBICACIÓN DE LA BOMBA DE CALOR PARA PISCINAS	9
3.3 ¿QUÉ TAN CERCA DE SU PISCINA?	9
3.4 CONEXIONES HIDRÁULICAS DE LA BOMBAS DE CALOR PARA PISCINAS	10
3.5 CABLEADO ELÉCTRICO DE BOMBAS DE CALOR PARA PISCINAS	11
3.6 PUESTA EN MARCHA INICIAL DE LA UNIDAD	11
4. INSTRUCCIONES DE USO Y OPERACIÓN	12
4.1 FUNCIÓN DEL CONTROLADOR	12
4.2 INTERFAZ DEL DISPLAY	14
4.3 TABLA DE PARÁMETROS	19
4.4 TABLA DE AVERÍAS	20
4.5 TARJEA PRINCIPAL	21
5. MANTENIMIENTO E INSPECCIÓN	26
6. APÉNDICE	27
6.1 ESPECIFICACIÓN DE CABLES	27
6.2 TABLA COMPARATIVA DE LA TEMPERATURA DE SATURACIÓN DEL REFRIGERANTE	28

1

PREFACIO

Con el objetivo de proveer a nuestros clientes la calidad, confianza y versatilidad, este producto ha sido fabricado bajo estrictos estándares de producción. Este manual incluye toda la información necesaria acerca de la instalación, depuración, descarga y mantenimiento. Por favor lea este manual cuidadosamente antes de abrir o dar mantenimiento a la unidad.

El fabricante de este producto no es responsable en caso de que alguien resulte lesionado o la unidad sea dañada, como resultado de uso inadecuado, una instalación inapropiada, depuración o mantenimiento innecesario. Es vital que las instrucciones en este manual se lleven a cabo todo el tiempo. La unidad debe ser instalada por personal calificado.

La unidad solamente puede ser reparada por personal calificado autorizado.

El mantenimiento y la operación deberán ser llevadas a cabo acorde a los tiempos y frecuencia establecidos en este manual.

Utilizar refacciones genuinas únicamente. El no hacerlo invalida la garantía. La unidad de bomba de calor para piscinas calienta el agua de la piscina y mantiene la temperatura constante.

Nuestra bomba de calor tiene las siguientes características:

- 1. Durable.** El intercambiador de calor está fabricado con PVC y tubería de titanio el cual puede soportar exposición prolongada al agua de la piscina.
- 2. Instalación flexible.** La unidad puede ser instalada en el exterior o interior (siempre que cuente con ventilación adecuada y la temperatura del cuarto no descienda de la temperatura del exterior).
- 3. Operación silenciosa.** La unidad utiliza un eficiente compresor tipo rotativo y un motor de ventilador de bajo ruido, lo cual garantiza una operación silenciosa.
- 4. Control avanzado.** La unidad incluye control por micro - computadora. Permitiendo que todos los parámetros de operación sean configurados. El estado de la operación puede ser desplegado en la pantalla LCD del control. Se puede utilizar control remoto como una opción futura.

ADVERTENCIA

No utilice medios para acelerar el proceso de descongelación o para limpiar que no sea el indicado en este manual.

No perforar ni quemar.

Tenga en cuenta que los refrigerantes pueden no tener olor.

1

PREFACIO

PRECAUCIÓN Y ADVERTENCIA

- La unidad solo puede ser reparada por personal calificado o un distribuidor autorizado.

Este electrodoméstico no está diseñado para que lo usen personas (incluidos niños) con capacidades físicas, sensoriales o mentales reducidas, o falta de experiencia y conocimiento, a menos que una persona responsable de su seguridad les haya supervisado o instruido sobre el uso del electrodoméstico.

- La limpieza y el mantenimiento del usuario no deben ser realizados por niños sin supervisión.
- Los niños deben ser supervisados para asegurarse de que no jueguen con el aparato.
- Asegúrese de que la unidad y la conexión eléctrica tengan una buena conexión a tierra; de lo contrario, podría provocar una descarga eléctrica.
- Si el cable de alimentación está dañado, debe ser reemplazado por el fabricante o nuestro agente de servicio o una persona calificada similar para evitar un peligro.
- Directiva 2002/96/CE (RAEE):
El símbolo de un cubo de basura tachado que se encuentra debajo del aparato indica que este producto, al final de su vida útil, debe manipularse por separado de los residuos domésticos, debe llevarse a un centro de reciclaje de aparatos eléctricos y electrónicos o devolverse al distribuidor al comprar un aparato equivalente.
- Directiva 2002/95/EC (RoHs): Este producto cumple con la directiva 2002/95/EC (RoHs) sobre restricciones para el uso de sustancias nocivas en dispositivos eléctricos y electrónicos.
- Asegúrese de que haya un disyuntor para la unidad, la falta de un disyuntor puede provocar una descarga eléctrica o un incendio.
- La bomba de calor ubicada en el interior de la unidad está equipada con un sistema de protección contra sobrecarga. No permite que la unidad arranque durante al menos 3 minutos desde una parada anterior.
- La unidad solo puede ser reparada por personal calificado de un centro instalador o un distribuidor autorizado. (para el mercado de América del Norte).
- La instalación debe ser realizada de acuerdo con NEC/CEC únicamente por una persona profesional. (para el mercado de América del Norte).
- UTILICE CABLES DE ALIMENTACIÓN ADECUADOS PARA 75°C.
- Precaución: Intercambiador de calor de pared simple, no apto para conexión de agua de consumo.
- No opere este aparato en un cuarto húmedo como un baño o cuarto de lavado.

1 PREFACIO

- Antes de obtener acceso a los terminales, se deben desconectar todos los circuitos de alimentación.
- Un dispositivo de desconexión de todos los polos que tenga al menos 3 mm de espacio libre en todos los polos y tenga una corriente de fuga que pueda exceder los 10 mA, el dispositivo de corriente residual (GFCI) que tenga una corriente operativa residual nominal que no exceda los 30 mA, y la desconexión debe incorporarse en el cableado fijo de acuerdo con las reglas de instalaciones eléctricas locales.

2 ESPECIFICACIÓN

2.1 DATOS DE RENDIMIENTO DE LA UNIDAD DE BOMBA DE CALOR PARA PISCINAS

*** REFRIGERANTE: R410A

INTER HEAT SMART HEAT PUMP / INTER WATER				
Modelo		50IS	58IS	90IS
Código		85-040-2204-0501	85-040-2204-0581	85-040-2204-0901
*Capacidad estimada de calentamiento (95Hz)	kW	6.44 - 14.65	7.06 - 16.99	8.67 - 26.37
	Btu/h	22,000 - 50,000	24,100 - 58,000	29,600 - 90,000
*Potencia estimada de entrada (95Hz)	kW	0.74 - 2.59	0.71 - 3.32	0.71 - 3.89
*COP		8.74 - 5.66	9.97 - 5.12	10.3 - 6.78
*Corriente máxima de entrada	A	14.92	15.72	22.5
**Capacidad estimada de calentamiento (95Hz)	kW	6.00 - 12.88	6.26 - 15.57	7.00 - 18.42
	Btu/h	20,472 - 43,981	21,359 - 53,159	23,884 - 62,900
**Heating Power Input	kW	0.74 - 2.59	0.67 - 3.27	0.99 - 3.89
**COP		8.11 - 4.98	9.34 - 4.76	7.1 - 4.8
***Capacidad estimada de calentamiento (95Hz)	kW	2.84 - 8.89	3.26 - 10.87	5.00 - 14.94
	Btu/h	96,90 - 30,367	11,123 - 37,088	17,060 - 51,000
***Potencia estimada de entrada (95Hz)	kW	0.65 - 2.71	0.80 - 3.55	0.82 - 3.91
***COP		4.37 - 3.28	4.08 - 3.06	6.1 - 4.0
Fuente de alimentación		208-230V~/60Hz 1Ph		
Nº Compresores		1		
Compresor		Rotary		
Nº Ventiladores		1		
Ruido	dB(A)	54	54	56
Conexión de agua	mm	48.3	48.3	48.3
Volumen de flujo de agua	GPM	19.37	23.77	33.02
Caída de presión de agua	kPa			
Dimensiones (cm) (l/a/a)	mm	Revisar dibujo de la unidad		

Calefacción:

*Temperatura del aire exterior: 27 °C/24,3 °C, Temperatura del agua de entrada: 26 °C

**Temperatura del aire exterior: 15 °C/12 °C, Temperatura del agua de entrada: 26 °C

***Temperatura del aire exterior: 10 °C/6,8 °C, Temperatura del agua de entrada: 26 °C

***Rango de operación:

Temperatura ambiente: - 7 / 43°C

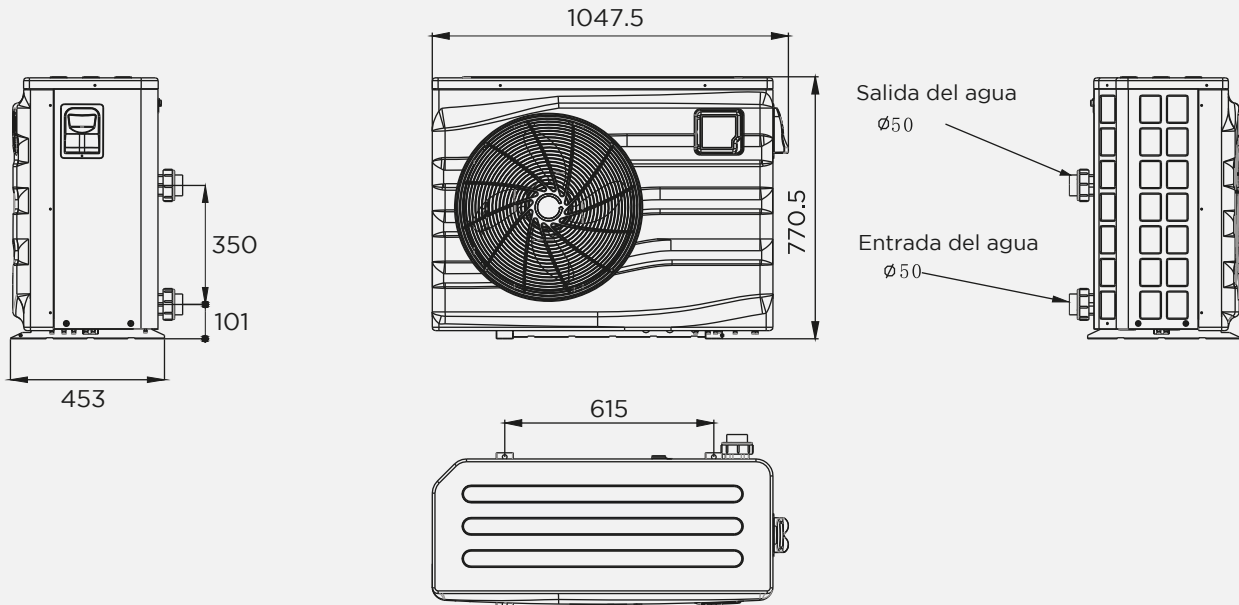
Temperatura del agua: 9 / 40°C

2 ESPECIFICACIONES

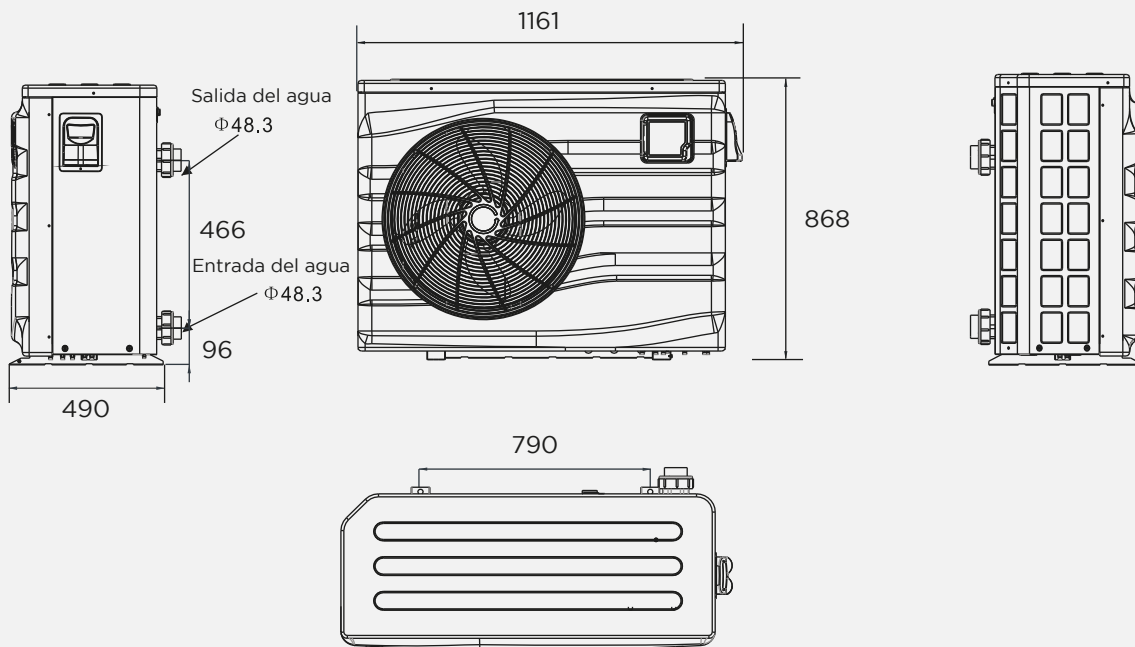
2.2 Dimensiones de la unidad de bomba de calor para piscinas.

Modelos: 50IS / 58IS

Unidad: mm

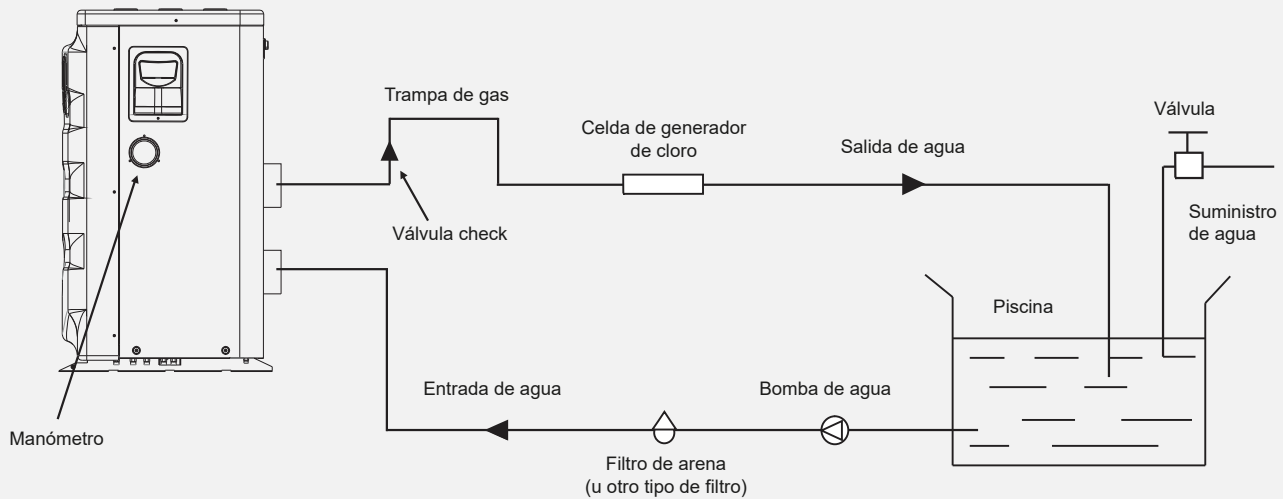


Modelo: 90IS



3 INSTALACIÓN Y CONEXIÓN

3.1 ILUSTRACIÓN DE INSTALACIÓN



Piezas de instalación:

La fábrica únicamente provee de la unidad principal y la unidad de agua; los demás elementos en la ilustración son piezas del sistema hidráulico, que deben ser provistos por el usuario o el instalador.

Atención:

Por favor siga los siguientes pasos cuando se use por primera vez:

- Abrir la válvula y cargar con agua
- Asegúrese que la motobomba y que la tubería han sido llenadas de agua.
- Cerrar la válvula y arrancar la unidad.

Atención: es necesario que el agua en la tubería este por encima de la superficie del agua.

Este diagrama esquemático es solo para referencia. Por favor revisar las etiquetas de entrada y salida en la bomba de calor cuando se haga la instalación hidráulica.

3 INSTALACIÓN Y CONEXIÓN

3.2 UBICACIÓN DE LA BOMBA DE CALOR PARA PSICINAS

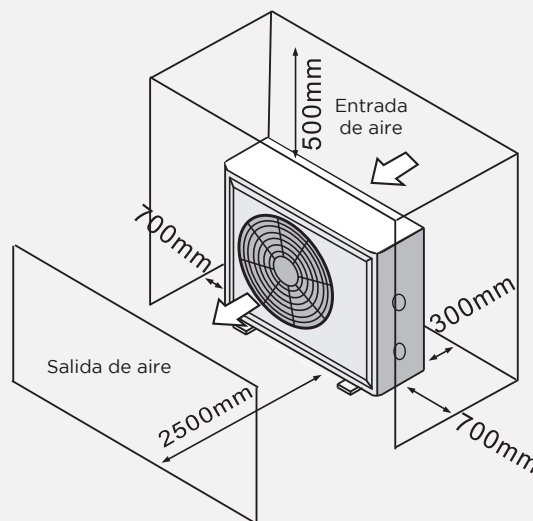
La unidad funcionará adecuadamente en cualquier ubicación exterior donde se presenten los siguientes tres factores:

1. Aire fresco
2. Electricidad
3. Tubería del sistema de filtrado de piscina

La unidad puede ser instalada prácticamente en cualquier ubicación en el exterior. Para interiores favor de consultar a un proveedor. A diferencia de los calentadores de gas, no tendrá problemas de encendido debido a zonas con viento.

NUNCA ubicar la unidad en un área cerrada con volumen de aire limitado, donde el aire descargado por la unidad recircule.

NUNCA ubicar la unidad cerca de arbustos que bloqueen el flujo de aire. Estas ubicaciones evitan que la unidad tenga un flujo adecuado de aire fresco lo que reduce su eficiencia y puede evitar una correcta transferencia de calor.



3.3 ¿A QUÉ DISTANCIA DE LA PISCINA?

Normalmente, la bomba de calor es instalada dentro de 7.5 metros de la piscina. A mayor distancia de la alberca hay mayores pérdidas de calor en la tubería. La mayoría de veces la tubería se encuentra enterrada. De cualquier manera, la pérdida de calor es mínima para recorridos de hasta 15 metros (15 metros de llegada y regreso a la bomba 30 metros en total), a menos que el suelo se encuentre húmedo o la columna de agua este elevada. Un estimado de perdida por 30 metros es de 0.5 kW - hora (2,000BTU) por cada 5 °C de diferencia entre la temperatura de la piscina y la temperatura del suelo que está en contacto con la tubería. Lo que se traduce en alrededor de 3% a 5% de incremento en el tiempo de uso.

3 INSTALACIÓN Y CONEXIÓN

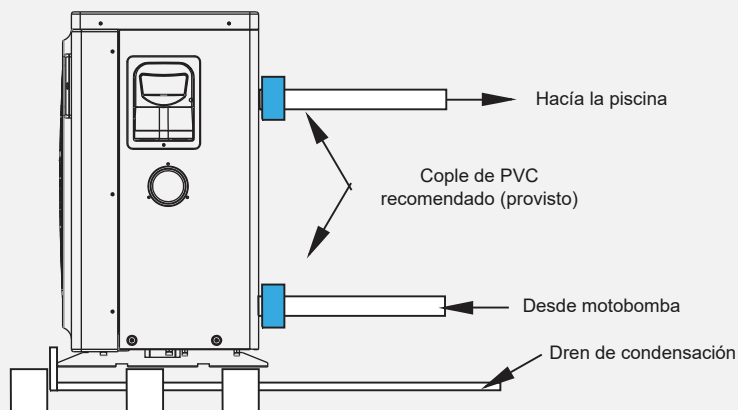
3.4 CONEXIONES HIDRÁULICAS DE LA BOMBA DE CALOR PARA PISCINAS

Las bombas de calor con intercambiador de calor de titanio, no requieren instalación hidráulica especial excepto un bypass (favor de revisar el flujo requerido por modelo en la placa de datos). La caída de presión es menor a 10 kPa al flujo máximo. Debido a que no hay calor residual o temperaturas de flama, no es necesaria la instalación de alguna trampa de calor en la tubería. Se puede utilizar PVC directamente en la unidad.

UBICACIÓN: Conectar la unidad en la línea de descarga de la motobomba (retorno) después del filtro y las motobombas, y antes de cualquier clorador, ozonificador o bomba dosificadora de químicos.

El modelo estándar acepta conexiones cementables de PVC de 32 mm o 50 mm para la conexión a la tubería del sistema de filtrado de la piscina o spa.

Considere seriamente agregar un cople rápido (tuerca unión) en la entrada y salida de la unidad, la cual permita un fácil drenado de la unidad para la protección durante el invierno y dar fácil acceso en caso de requerir dar servicio a la unidad.



CONDENSACIÓN: dado que la bomba de calor enfría el aire entre 4 y 5 °C, es posible que se condense agua en las aletas del evaporador en forma de herradura. Si la humedad relativa es muy alta, puede llegar a varios litros por hora. El agua correrá por las aletas hacia la base y se drenará a través del accesorio de drenaje de condensación de plástico con púas en el costado de la base. Este accesorio está diseñado para aceptar tubos de vinilo transparente de 20 mm que se pueden empujar con la mano y llevar a un desagüe adecuado. Es fácil confundir la condensación con una fuga de agua dentro de la unidad.

NOTA: una forma rápida de verificar que el agua es condensación es apagar la unidad y mantener la bomba de la piscina en funcionamiento. Si el agua deja de salir de la placa base, es condensación. UNA FORMA AÚN MÁS RÁPIDA ES HACER UNA PRUEBA AL CLORO DEL AGUA DE DRENAJE: si no hay cloro presente, entonces es condensación.

3

INSTALACIÓN Y CONEXIÓN

3.5 CONEXIONES ELÉCTRICAS DE LA BOMBA DE CALOR PARA PISCINA

NOTA: A pesar de que el intercambiador de calor de la unidad está aislado eléctricamente del resto de la unidad, solamente previene que haya electricidad desde y hacia el agua de la piscina. Se requiere aterrizar la unidad para proteger contra corto circuitos dentro de la misma. El emparejamiento eléctrico (electrical bonding) también es necesario.

La unidad tiene una caja de conexiones separada con un conector estándar previamente instalado. Solamente es necesario remover los tornillos y el panel frontal, alimentar las líneas eléctricas a través de este conector y conectar al suministro eléctrico de las tres conexiones que se encuentran en la caja de conexiones (cuatro conexiones en las unidades trifásicas). Para completar la conexión eléctrica, conectar la bomba de calor a través de cable conductor (acorde a las reglamentaciones locales) a una fuente de corriente alterna de un circuito eléctrico equipado con un protector térmico, fusible o protector con falla a tierra.

DESCONEXIÓN: Se debe instalar una desconexión (protector térmico, interruptor con o sin fusible) a la vista y accesible desde la unidad. Esta es una práctica común en los aires acondicionados y bombas de calor de uso comercial y residencial. Sirve para prevenir que el equipo se energice remotamente cuando se está dando servicio a la unidad.

3.6 PUESTA EN MARCHA DE LA UNIDAD

NOTA: Para que la unidad pueda calentar la piscina o spa, la motobomba de filtrado deberá estar funcionando haciendo circular agua a través del intercambiador de calor.

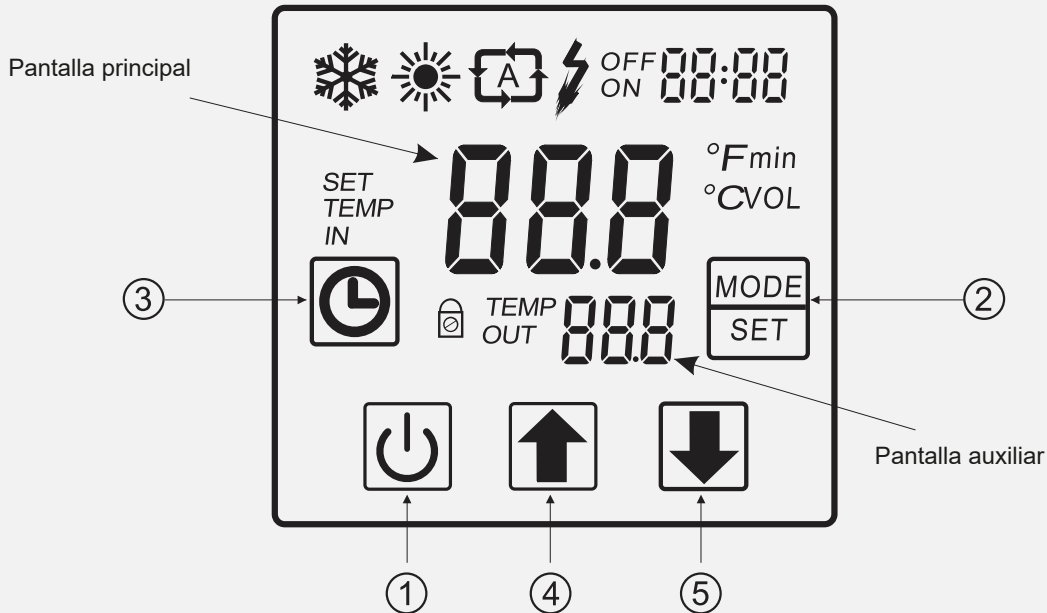
PROCEDIMIENTO DE PUESTA EN MARCHA: Después de que la instalación ha sido completada. Es necesario seguir los siguientes pasos:

- 1. Encender la motobomba de filtrado. Revisar fugas de agua y verificar el flujo desde y hacia la piscina.
- 2. Energizar la unidad, después presionar el botón ON/OFF del control, debería empezar en unos segundos.
- 3. Después de funcionar unos cuantos minutos asegurarse que el aire de salida en el lado superior de la unidad es más fresco (entre 5 °C y 10 °C).
- 4. Con la unidad operando apagar la motobomba de filtrado. La unidad deberá apagarse automáticamente.
- 5. Permita a la unidad y la motobomba de filtrado funcionar por 24 horas continuas hasta que la temperatura del agua de la piscina sea alcanzada. Cuando la temperatura sea lograda la unidad se apagará. La unidad volverá a encender (siempre y cuando la motobomba de filtrado este encendida) cuando la temperatura caiga más de 2 °C debajo de la temperatura seleccionada.

RETRASO DE TIEMPO: La unidad está equipada con un retraso para reinicio de 3 minutos, incluido para proteger los componentes eléctricos y eliminar un reinicio cíclico y posible daño al contactor. Este retraso reiniciará automáticamente la unidad aproximadamente 3 minutos después de cada interrupción en el circuito del control. Incluso una breve interrupción activará el reinicio con retardo de 3 minutos y evitará que la unidad inicie durante un conteo de 5 minutos. Interrupciones de energía durante el periodo de retraso de 3 minutos no tendrán ningún efecto en este mismo periodo de retardo.

4 USO Y OPERACIÓN

4.1. FUNCIONES DEL CONTROL







1) FUNCIONES DE LOS BOTONES

NO	Simbolo	Nombre	Función
①		On/off	Presionar para prender o apagar la unidad, cancelar la operacion actuar o ir al menu anterior.
②		Mode	Presionar este botón para cambiar entre modos o guardar parámetros.
③		Clock	Presionar para ajustar el reloj y temporizador.
④		Up	Presionar para ir arriba o incrementar el valor de un parámetro.
⑤		Down	Presionar para ir abajo o reducir el valor de un parámetro.

4 INSTALACIÓN Y CONEXIÓN



2) FUNCIONES DE LOS BOTONES

Simbolo	Significado	Función
	Enfriando	Se muestra cuando la unidad esta en modo de enfriamiento.
	Calentando	Se muestra cuando la unidad esta en modo calentamiento y enciende intermitente cuando esta en descongelamiento.
	Automatico	Se muestra cuando la unidad esta en modo automático.
	Calentamiento Electrico	Se muestra cuando la unidad es modo calentamiento electrico. (Las unidades para piscina no tienen esta función)
ON	Timer on	Se muestra cuando el temporizador esta encendido
OFF	Timer off	Se muestra cuando el temporizador esta apagado
IN	Temp entrada	Se muestra cuando la pantalla principal muestra la temperatura de entrada.(valor medido)
OUT	Temp salida	Se muestra cuando la pantalla auxiliar muestra la temperatura de salida.(valor medido)
TEMP	Temperatura	Se muestra cuando la pantalla principal o auxiliar muestra la temperatura
VOL	Flujo	Se muestra cuando la pantalla principal muestra el valor de flujo
min	Minutos	Se muestra cuando la pantalla principal muestra valores de minutos
°F	Fahrenheit	Se muestra cuando la pantalla principal o auxiliar muestra valores en Fahrenheit
°C	Centigrados	Se muestra cuando la pantalla principal o auxiliar muestra valores en Centigrados
SET	Configuracion de parametros	Se muestra cuando los parámetros pueden ser configurados
	Bloqueado	Se muestra cuando el teclado está bloqueado.

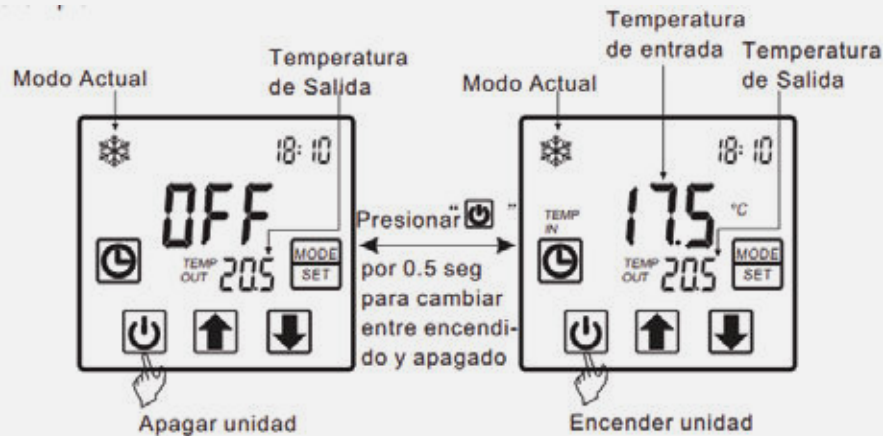
4 USO Y OPERACIÓN

4.2 EL USO DEL CONTROL

4.2.1 ENCENDIDO Y APAGADO

En la interfaz OFF, presionar  por 0.5 s para encender la unidad y el área auxiliar mostrará la temperatura de salida; en la interfaz de funcionamiento, presionar  por 0.5 s para apagar la unidad y el área auxiliar mostrará OFF.

Atención: la operación de encendido y apagado solamente puede realizarse desde la interfaz principal. Por ejemplo:

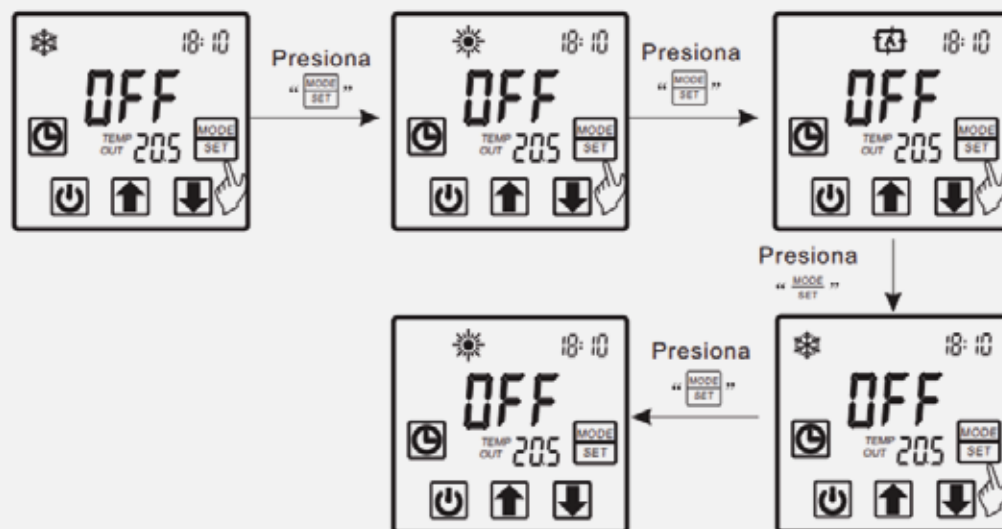


4.2.2 CAMBIANDO DE MODO

En caso de ser una unidad con función para calentar/enfriar, en la interfaz principal, puedes cambiar entre ambos modos, calentar, enfriar o modo automático al presionar.




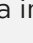
Atención: El cambio de modo es inútil si la unidad que usted adquiere es de una sola función solo enfriar/ solo calentar.


Por ejemplo:




4 USO Y OPERACIÓN

4.2.3 CONFIGURACIÓN DE TEMPERATURA

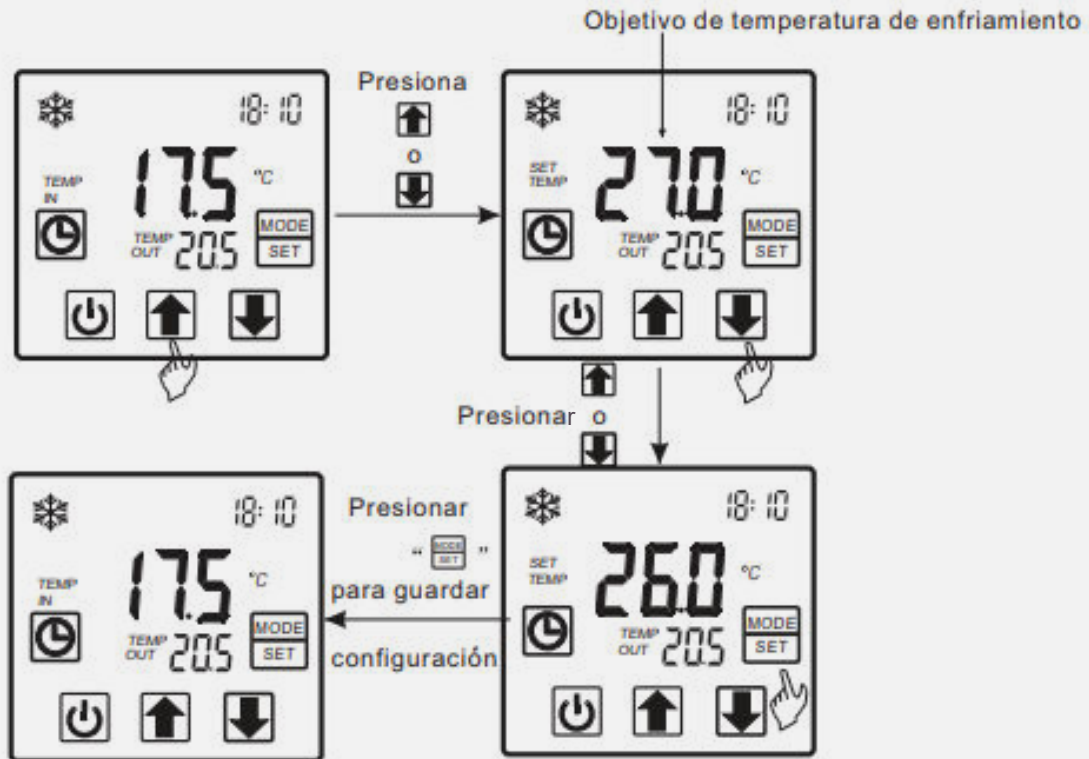
En la interfaz principal, presionar  o  y la temperatura objetivo parpadea, entonces presionar  para incrementar el valor de temperatura, o presionar  para reducir el valor de temperatura.

Presionar  para salvar los parámetros y regresar a la interfaz principal.



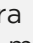




Al presionar  no se guardan los parámetros de configuración, pero se regresa a la interfaz principal.

Atención: si no hay alguna operación por 5 segundos, el sistema se quedará con la configuración anterior y se regresará a la interfaz principal.

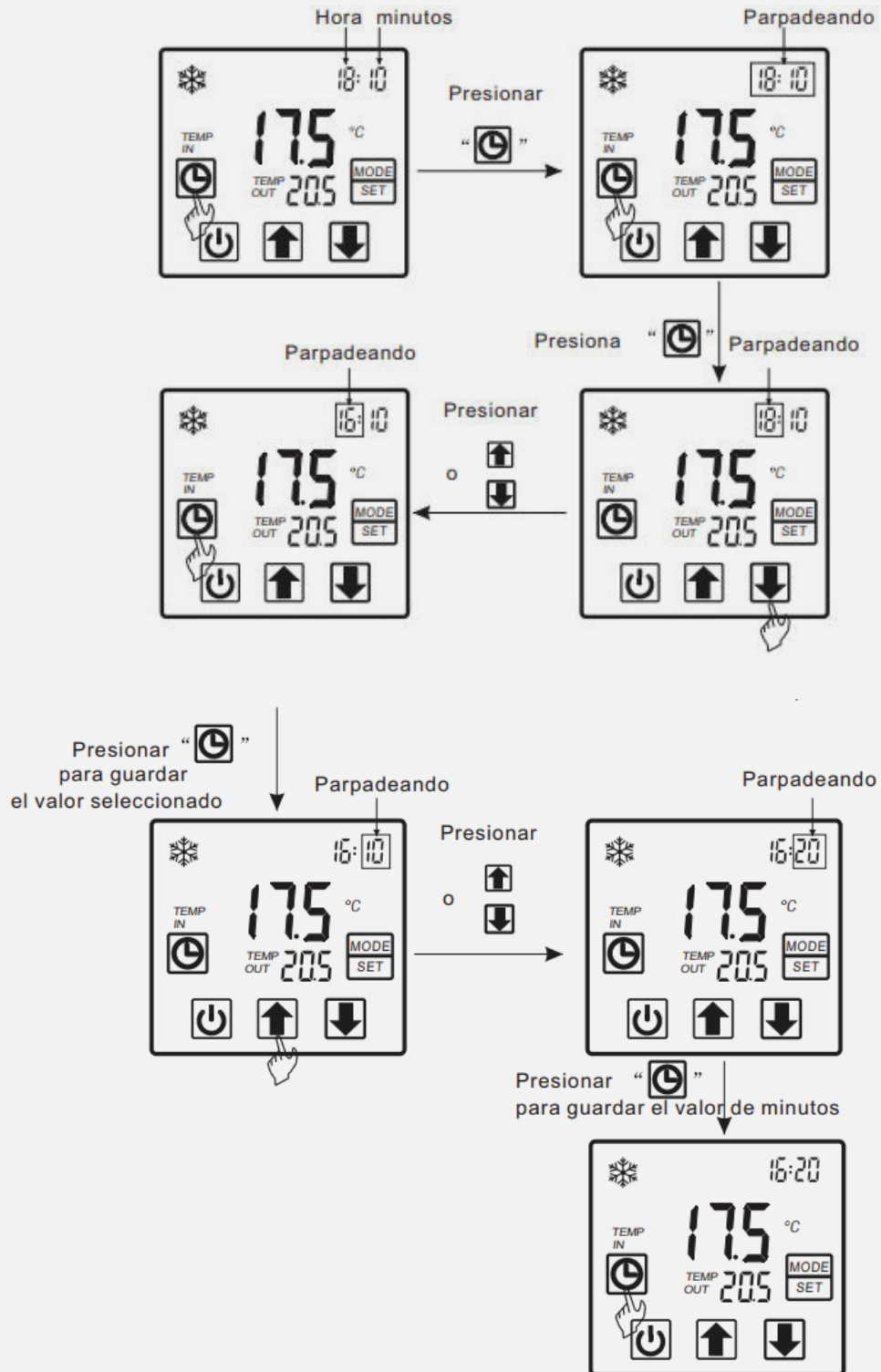
Por ejemplo:



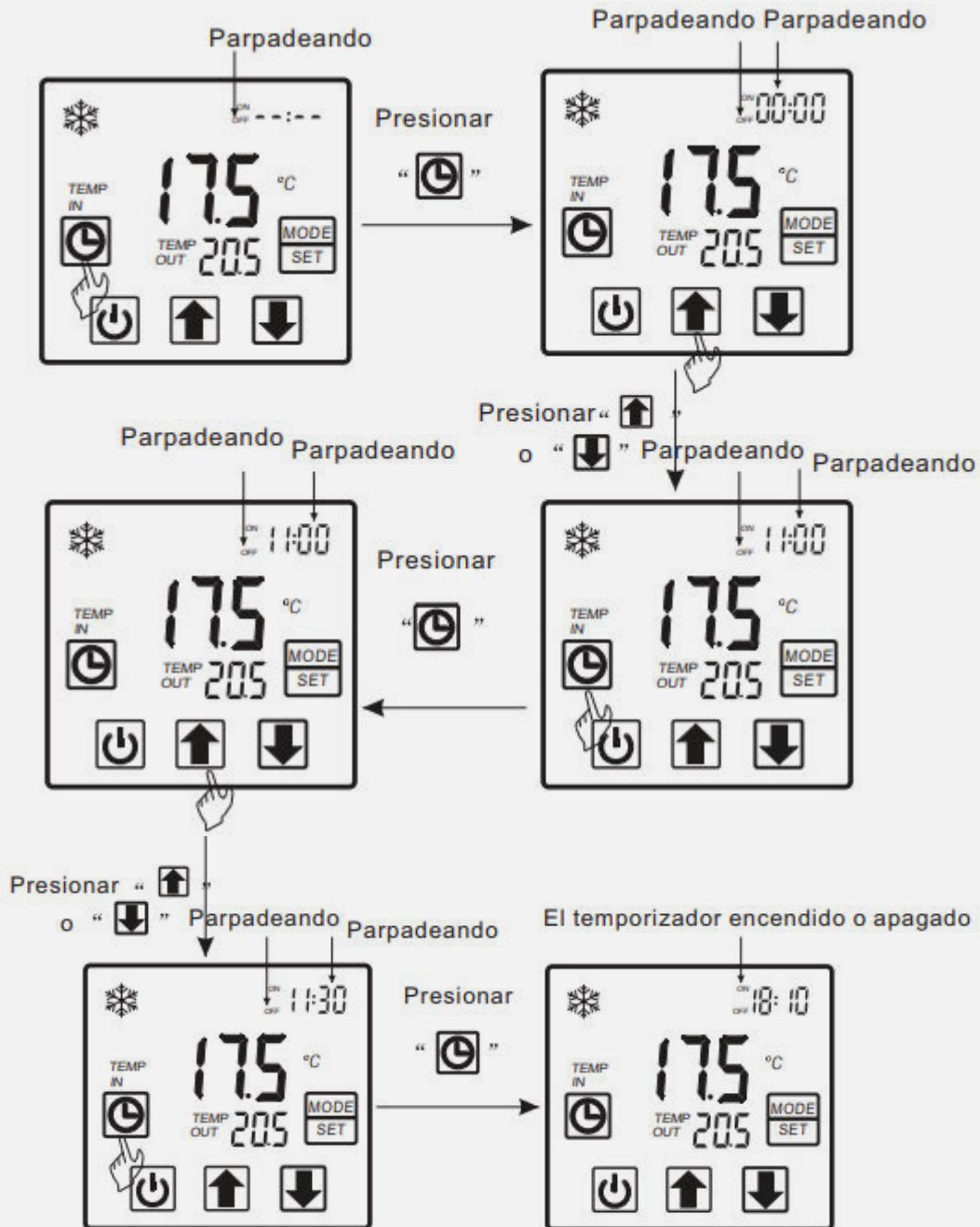
4.2.4 CONFIGURACIÓN DEL RELOJ

En la interfaz principal, presionar  dos veces, el contador de horas comenzara a parpadear, presionar  para incrementar o  para reducir el valor y presionar  para guardar la configuración. Al mismo tiempo parpadeará el contador de minutos, presionar  para incrementar o  para reducir el valor y presionar  para guardar la configuración.

4 USO Y OPERACIÓN





4 USO Y OPERACIÓN

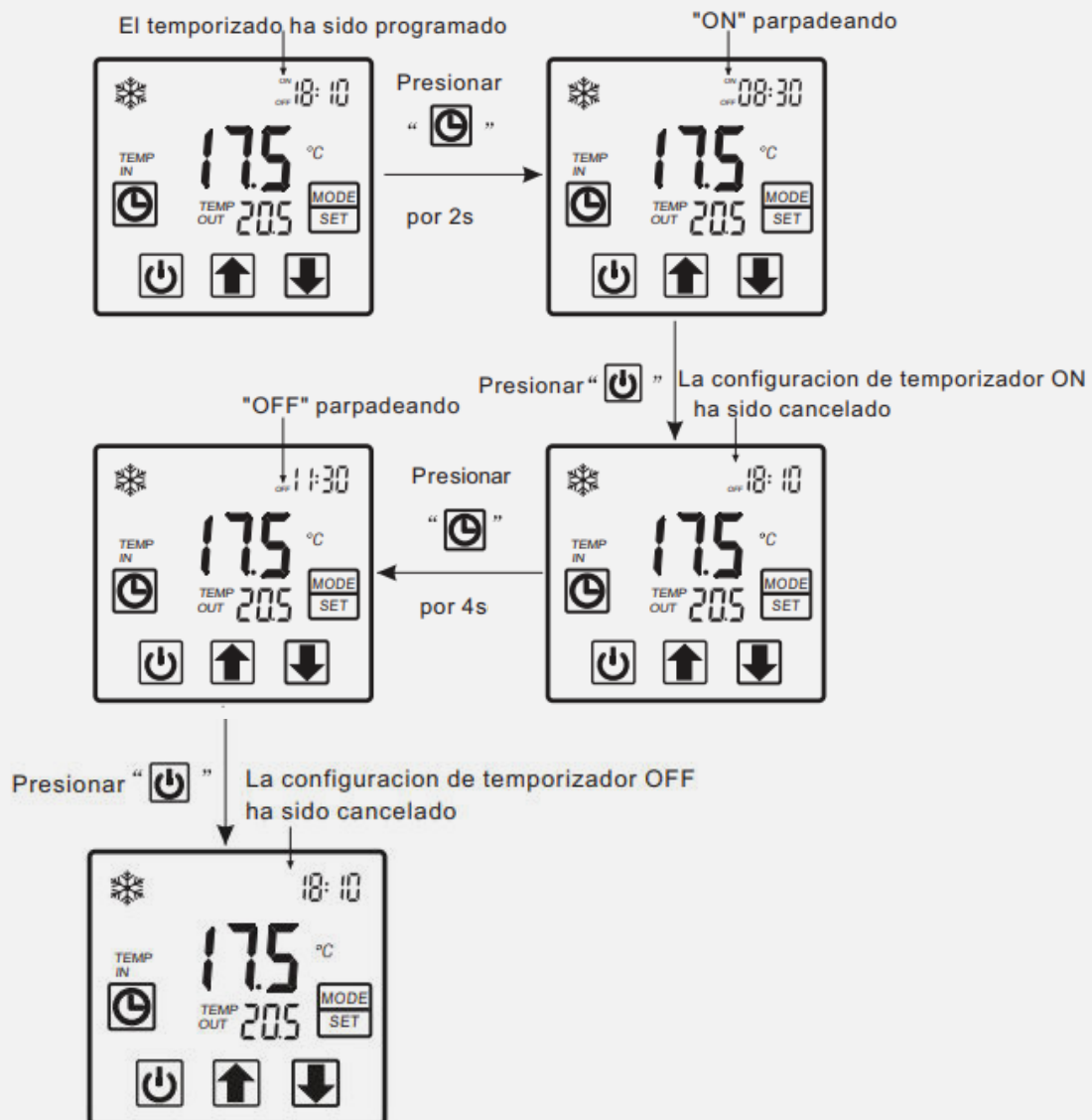


4 USO Y OPERACIÓN

2.6 CANCELAR LA PROGRAMACIÓN DEL TEMPORIZADOR



Presionar  por 2 segundos y "ON" parpadeará, en ese momento, presionar  para cancelar la configuración del temporizador "ON". Son los mismos pasos para cancelar la configuración de temporizador "OFF"

Por ejemplo:

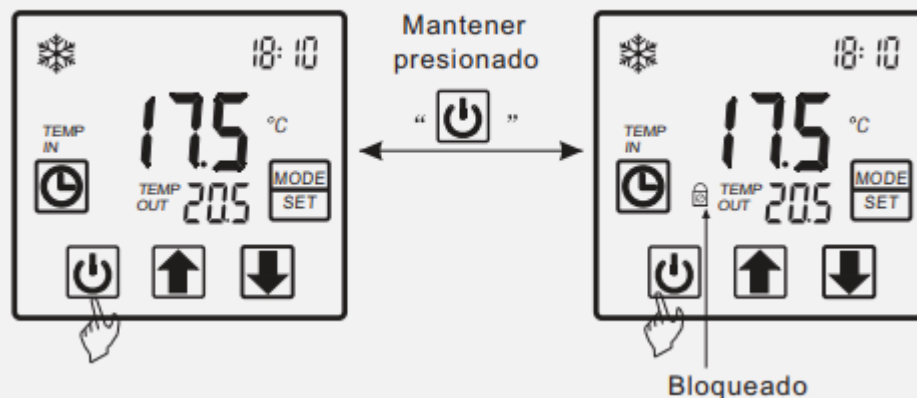


4 USO Y OPERACIÓN

2.4 BLOQUEO DEL TECLADO

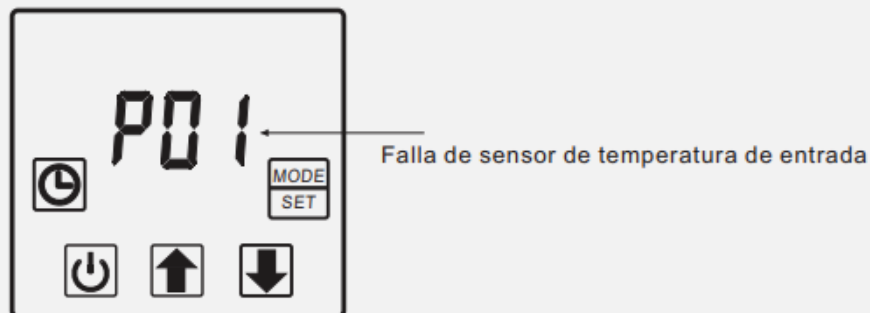
Para evitar una operación por error, por favor bloquee el teclado después de haber programado los parámetros. En la interfaz principal, presionar  durante 5 segundos, el teclado se bloqueará. Cuando el teclado este bloqueado, presionar  durante 5 segundos, el teclado se desbloqueará.

NOTA: Cuando la unidad se encuentre en estado de alarma, el bloqueo de teclado se podrá remover automáticamente.



2.5 PANTALLA DE MALFUNCIONAMIENTO

Se mostrará un código de mal funcionamiento en la pantalla del control cuando un mal funcionamiento ocurra. Puede referirse a la tabla de mal funcionamiento para encontrar la causa y la posible solución.



3. TABLA DE PARÁMETROS

Significado	Prestablecido	Observación
Temperatura objetivo de calentamiento	27 °C	Ajustable
Temperatura objetivo de enfriamiento	27 °C	Ajustable
Temperatura objetivo automático	27 °C	Ajustable

4 USO Y OPERACIÓN

4.4 TABLA DE AVERÍAS

LA CAUSA COMÚN DE LA FALLA Y LA SOLUCIÓN

FALLA	CÓDIGO	CAUSA	SOLUCIÓN
Falla en sensor de temperatura de agua de entrada	P01	El sensor de temperatura de entrada está abierto o en corto circuito	Revisar o cambiar el sensor de temperatura de entrada
Falla en sensor de temperatura de agua de salida	P02	El sensor de temperatura de salida está abierto o en corto circuito	Revisar o cambiar el sensor de temperatura de salida
Falla en sensor de temperatura ambiente	P04	El sensor de temperatura ambiente está abierto o en corto circuito	Revisar o cambiar el sensor de temperatura ambiente
Falla en sensor de temperatura de tubería	P05	El sensor de temperatura de tubería está abierto o en corto circuito	Revisar o cambiar el sensor de temperatura de tubería
Falla en sensor de temperatura del evaporador	P07	El sensor de temperatura del evaporador está abierto o en corto circuito	Revisar o cambiar el sensor de temperatura del evaporador
Falla en sensor de temperatura de escape	P08	El sensor de temperatura de escape está abierto o en corto circuito	Revisar o cambiar el sensor de temperatura de escape
Protección de alta presión	E01	La presión de escape es alta, interruptor de alta presión activo	Revisar el interruptor de alta presión y el circuito de retorno de enfriamiento
Protección de baja presión	E02	La presión de succión es muy baja, interruptor de baja presión activo	Revisar el interruptor de baja presión y el circuito de retorno de enfriamiento
Falla de sensor de flujo	E03	No hay agua o hay basura en el sistema hidráulico	Revisar el flujo de agua, revisar que la motobomba funciona correctamente
Hay mucha diferencia de temperatura entre entrada y salida	E06	No hay flujo suficiente, la presión del sistema hidráulico es baja	Revisar el flujo de agua, revisar posible taponamiento en el sistema hidráulico
Anticongelante en modo de enfriamiento	E07	El flujo de agua no es suficiente	Revisar el flujo de agua, revisar posible taponamiento en el sistema hidráulico
Se inicio la protección anti congelamiento primaria	E019	La temperatura ambiente es muy baja	Compruebe que la temperatura ambiente es demasiado baja
Se inicio la protección anti congelamiento secundaria	E029	La temperatura ambiente es muy baja	Compruebe que la temperatura ambiente es demasiado baja
Falla de comunicación	E08	Falla de comunicación entre el control y la tarjeta madre	Revisar la conexión del cable entre el control y la tarjeta madre

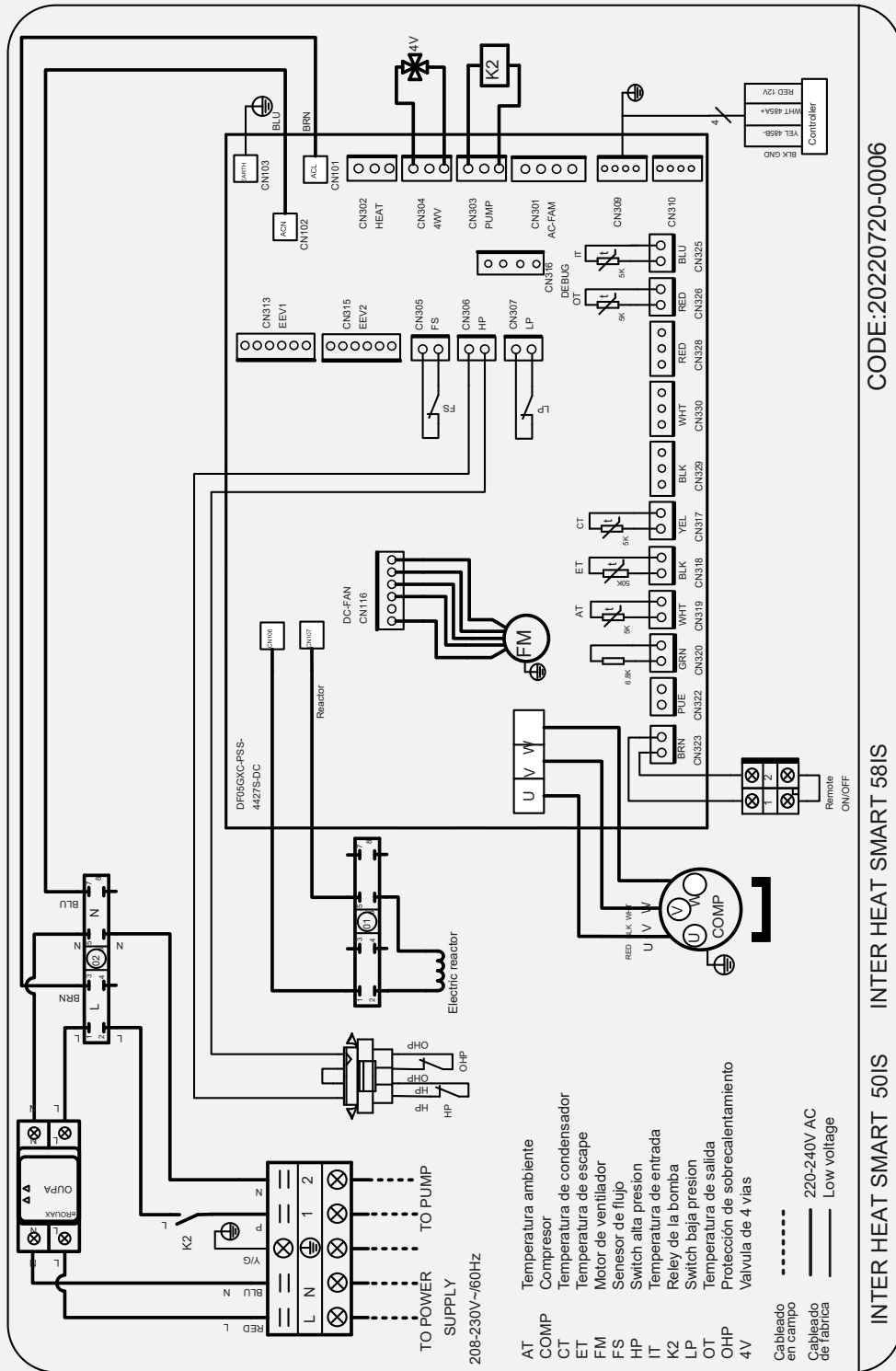
5. DIAGRAMA DE INTERFAZ

5.1 DIAGRAMA Y DEFINICIÓN DE LA INTERFAZ DE CONTROL DE CABLES

Señal	Sentido
TIERRA	GND (potencia)
RED	Señal de comunicación
12V	12 V (alimentación +)

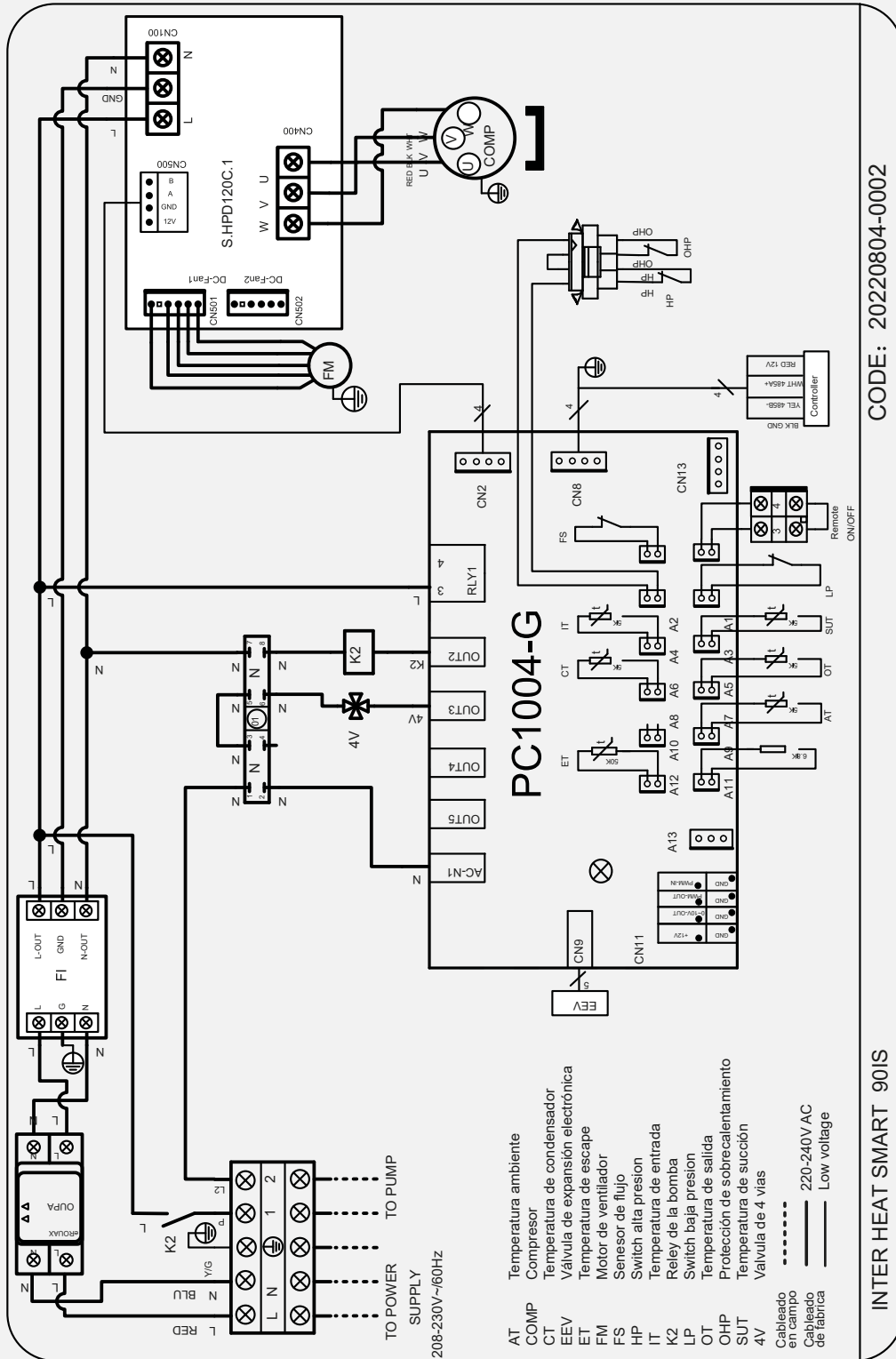
4 USO Y OPERACIÓN

6. DIAGRAMA DE CONEXIONES DE LA TARJETA PRINCIPAL.



4 USO Y OPERACIÓN

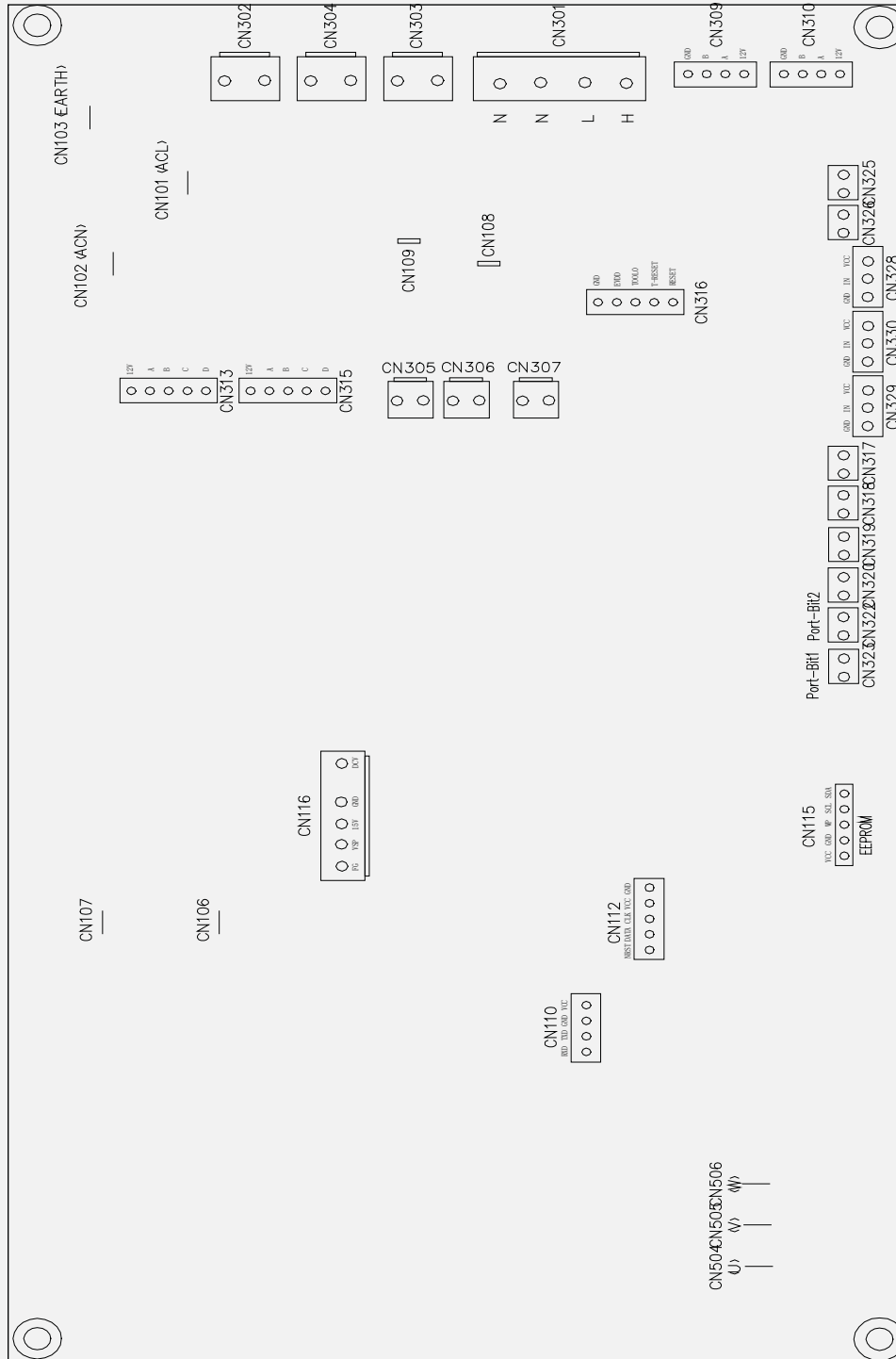
7. DIAGRAMA DE CONEXIONES DE LA TARJETA PRINCIPAL.



4 USO Y OPERACIÓN

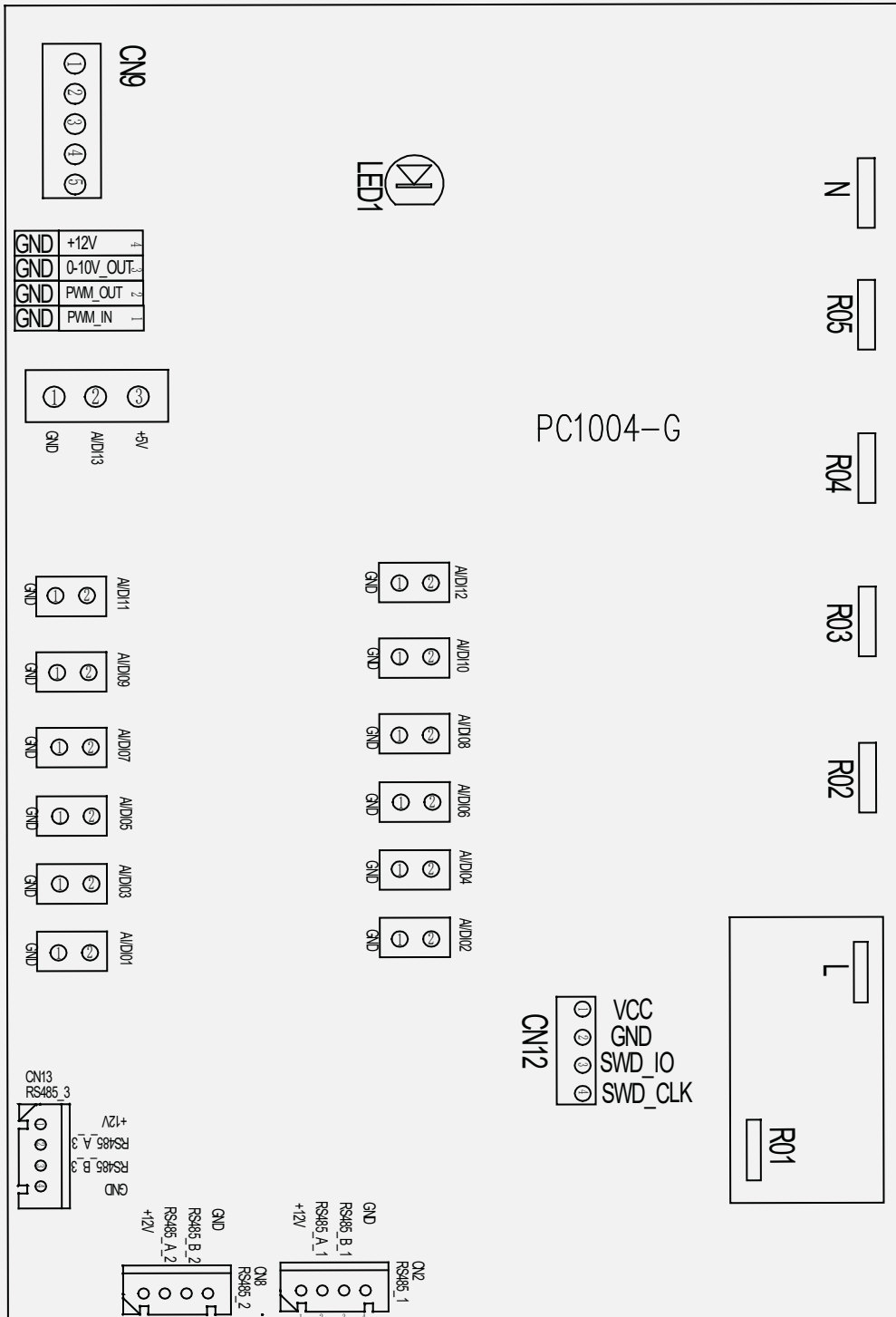
4.5.2 DIAGRAMA DE CONEXIONES DE LA TARJETA PRINCIPAL.

CONTROLADOR INTERFAZ DIAGRAMA Y DEFINICIÓN



4 USO Y OPERACIÓN

CONTROLADOR INTERFAZ DIAGRAMA Y DEFINICIÓN



4 USO Y OPERACIÓN

7. TABLERO PRINCIPAL DE LAS INSTRUCCIONES DE INTERFAZ DE ENTRADA Y SALIDA A CONTINUACIÓN

NÚMERO	SEÑAL	SIGNIFICADO
01	P8(T)	Compresor (salida 220-230VAC)
02	P9(V)	
03	P10 (ancho)	
04	CN803	Bomba de agua (salida 220-230VAC)
05	CN802	Válvula de 4 vías (salida 220-230VAC)
06	CN804	Ventilador de alta velocidad (salida 220-230VAC)
07	CN805	Baja velocidad del ventilador (salida 220-230 VAC)
08	P1(L)	Cable vivo (entrada 220-230VAC)
09	P3(N)	Cable neutro (entrada 220-230VAC)
10	P2(PE)	tierra (GND)
11	CN822	Interruptor de flujo de agua (entrada)
12	CN827	Presostato de alta (entrada)
13	CN821	Presostato de baja (entrada)
14	CN806	Temperatura de succión del sistema (entrada)
15	CN814	Temperatura de entrada del agua (entrada)
16	CN810	Temperatura de salida del agua (entrada)
17	CN812	Temperatura de la bobina del sistema (entrada)
18	CN811	Temperatura ambiente (entrada)
19	CN816	Temperatura de escape del sistema (entrada)
20	CN600	Motor de ventilador de CC (salida 220-230 VCA)
21	CN829	Sensor de presión
22	P4(L-1) P5(L-2)	Reactor electrico
23	CN887 CN888	Comunicación del controlador de línea de color
24	CN894	Válvula de expansión electrónica
25	CN800	Calentador (salida 220-230VAC)
26	CN823	Interruptor de emergencia

5 MANTENIMIENTO E INSPECCIÓN

- Verifique el dispositivo de suministro de agua y la liberación con frecuencia. Debe apagarlo con frecuencia para verificar el apagado de la bomba de calor en ausencia de flujo de agua. Debe limpiar el filtro de la piscina / spa regularmente para evitar daños a la unidad como resultado de la suciedad o el filtro obstruido.
- El área alrededor de la unidad debe estar seca, limpia y bien ventilada. Limpie el intercambiador de calor lateral regularmente para mantener un buen intercambio de calor y conservar energía.
- La presión de operación del sistema refrigerante sólo debe ser reparada por un técnico certificado.
- Verifique la fuente de alimentación y la conexión del cable con frecuencia. Si la unidad comienza a funcionar de manera anormal, apáguela y comuníquese con un técnico calificado.
- Descargue toda el agua de la bomba de agua y del sistema de agua para que no se congele el agua de la bomba o del sistema de agua. Debe descargar el agua en la parte inferior de la bomba de agua si la unidad no se utilizará durante un período de tiempo prolongado. Después del período de desuso debe cargar el sistema con agua antes de poner el equipo nuevamente en marcha.
- Mantenimiento semestral.
 - Limpieza del evaporador (lavar con agua No utilizar hidrolavadora).
 - Limpieza de la charola o base, teniendo especial cuidado en los orificios de drenaje.
 - Revisar contactores (inspección visual y enclave del contactor correcto).
 - Revisar capacitores (inspección visual y medición de capacitancia con el equipo desconectado de la alimentación teniendo cuidado de descargar antes de remover las conexiones).
- Mantenimiento anual.
 - Revisar la presión de refrigerantes.

6 APÉNDICE

6.1 ESPECIFICACIÓN DEL CABLE

(1) UNIDAD MONOFÁSICA

Corriente máxima de la placa de	Línea de fase	Línea de Tierra	MCB	Protector de fuga	Línea de señal
No más de 10A	2×1.5mm ²	1.5mm ²	20A	30mA menos de 0,1 seg	n×0.5mm ²
10~16A	2×2.5mm ²	2.5mm ²	32A	30mA menos de 0,1 seg	
16~25A	2×4mm ²	4mm ²	40A	30mA menos de 0,1 seg	
25~32A	2×6mm ²	6mm ²	40A	30mA menos de 0,1 seg	
32~40A	2×10mm ²	10mm ²	63A	30mA menos de 0,1 seg	
40~63A	2×16mm ²	16mm ²	80A	30mA menos de 0,1 seg	
63~75A	2×25mm ²	25mm ²	100A	30mA menos de 0,1 seg	
75~101A	2×25mm ²	25mm ²	125A	30mA menos de 0,1 seg	
101~123A	2×35mm ²	35mm ²	160A	30mA menos de 0,1 seg	
123~148A	2×50mm ²	50mm ²	225A	30mA menos de 0,1 seg	
148~186A	2×70mm ²	70mm ²	250A	30mA menos de 0,1 seg	
186~224A	2×95mm ²	95mm ²	280A	30mA menos de 0,1 seg	

(2) UNIDAD TRIFÁSICA

Corriente máxima de la placa de	Línea de fase	Línea de Tierra	MCB	Protector de fuga	Línea de señal
No más de 10A	3×1.5mm ²	1.5mm ²	20A	30mA menos de 0,1 seg	n×0.5mm ²
10~16A	3×2.5mm ²	2.5mm ²	32A	30mA menos de 0,1 seg	
16~25A	3×4mm ²	4mm ²	40A	30mA menos de 0,1 seg	
25~32A	3×6mm ²	6mm ²	40A	30mA menos de 0,1 seg	
32~40A	3×10mm ²	10mm ²	63A	30mA menos de 0,1 seg	
40~63A	3×16mm ²	16mm ²	80A	30mA menos de 0,1 seg	
63~75A	3×25mm ²	25mm ²	100A	30mA menos de 0,1 seg	
75~101A	3×25mm ²	25mm ²	125A	30mA menos de 0,1 seg	
101~123A	3×35mm ²	35mm ²	160A	30mA menos de 0,1 seg	
123~148A	3×50mm ²	50mm ²	225A	30mA menos de 0,1 seg	
148~186A	3×70mm ²	70mm ²	250A	30mA menos de 0,1 seg	
186~224A	3×95mm ²	95mm ²	280A	30mA menos de 0,1 seg	

Cuando la unidad se instale al aire libre, utilice el cable que puede proteger contra los rayos UV.

6 APÉNDICE

6.2 TABLA COMPARATIVA DE LA TEMPERATURA DE SATURACIÓN DEL REFRIGERANTE

Presión (MPa)	0	0.3	0.5	0.8	1	1.3	1.5	1.8	2	2.3
Temperatura (R410A)(°C)	-51.3	-20	-9	4	11	19	24	31	35	39
Temperatura (R32)(°C)	-52.5	-20	-9	3.5	10	18	23	29.5	33.3	38.7
Presión (MPa)	2.5	2.8	3	3.3	3.5	3.8	4	4.5	5	5.5
Temperatura (R410A)(°C)	43	47	51	55	57	61	64	70	74	80
Temperatura (R32)(°C)	42	46.5	49.5	53.5	56	60	62	67.5	72.5	77.4