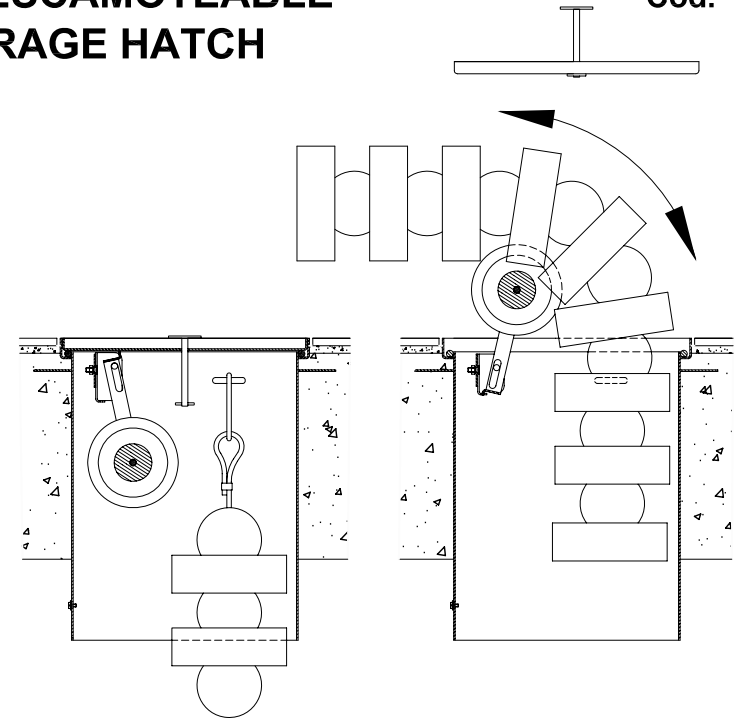
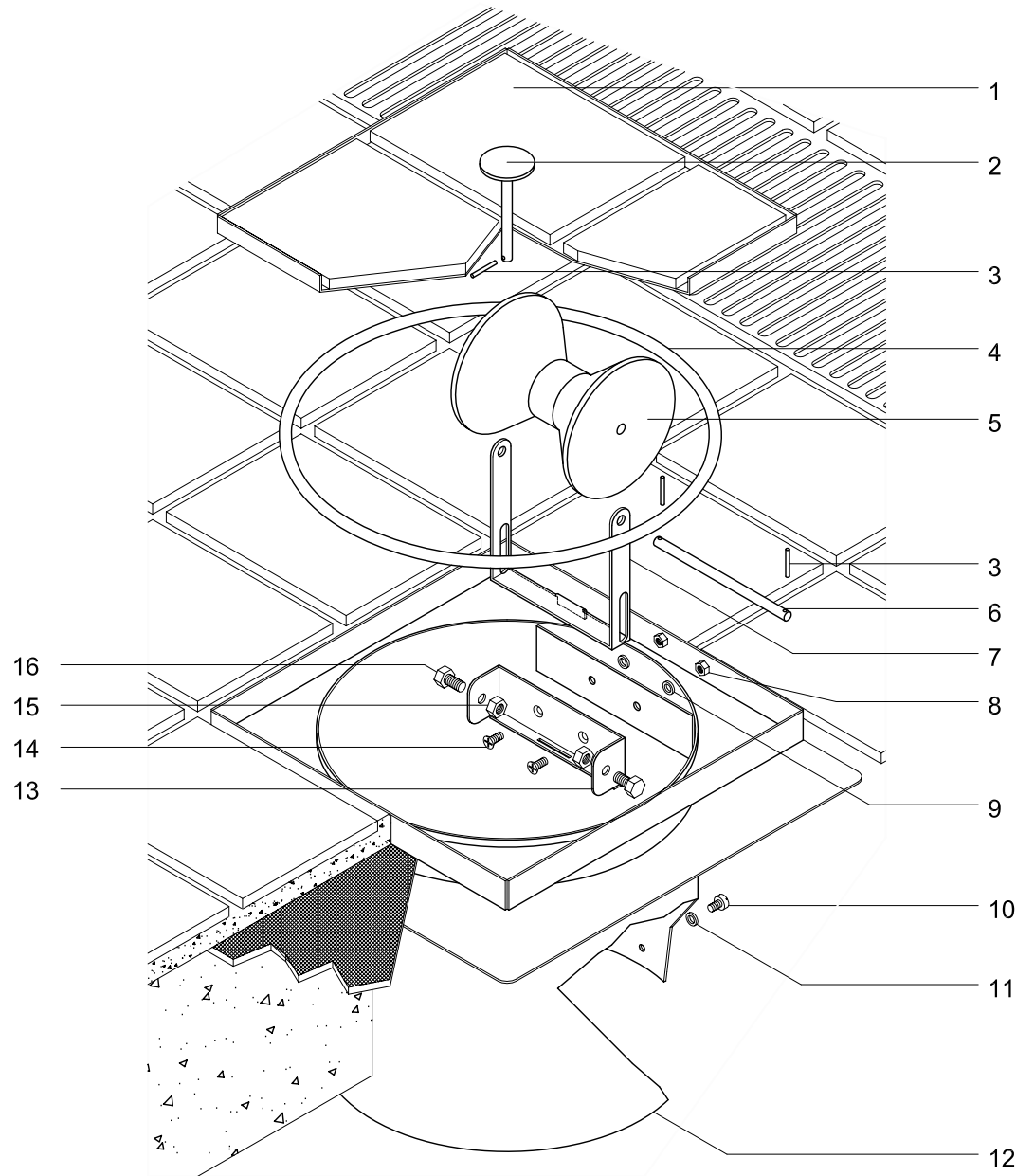




## RECOGECORCHERAS ESCAMOTEABLE IN-DECK LANE STORAGE HATCH

Cod. 15842



### LISTA DE COMPONENTES / LIST OF COMPONENT PARTS

POS ITEM	CANT QTY	DENOMINACIÓN / DESCRIPTION
1	1	Tapa / Cover
2	1	Tirador tapa / Cover puller
3	3	Pasador DIN-1481 Ø3x28 / Pin
4	1	Junta / Seal
5	1	Rueda / Wheel
6	1	Eje rueda / Wheel shaft
7	1	Soporte rueda / Wheel support
8	2	Tuerca DIN-934 M6 / Nut
9	2	Arandela DIN-127 Ø6 / Washer
10	1	Tornillo DIN-85 M4x8 / Screw
11	1	Arandela DIN-6798 Ø4 / Washer
12	1	Cuerpo / Body
13	1	Soporte basculante / Bracket
14	2	Tornillo DIN-964 M6x10 / Screw
15	2	Tuerca DIN-985 M8 / Nut
16	2	Tornillo DIN-933 M8x16 / Screw

15842E201 09.04

Made in EU  
NIF ES A 08246274