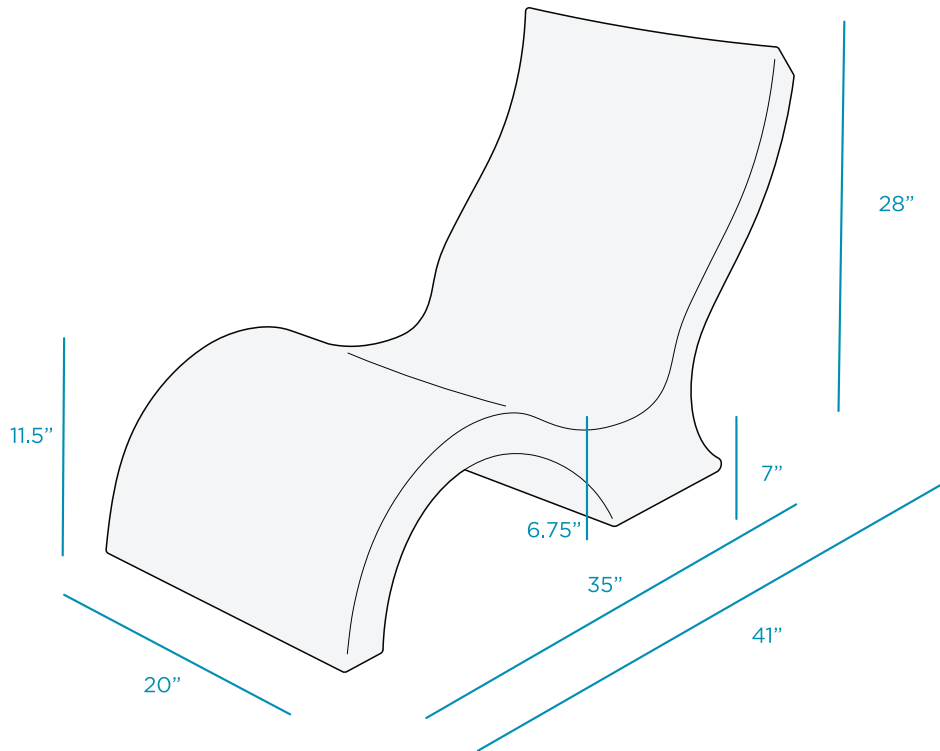


SIGNATURE

CHAIR LOW BACK

SPECIFICATIONS

DESIGNED FOR UP TO 9" OF WATER OR ON-DECK
WT (EMPTY) 25 LBS | WT (FULL) 125 LBS



FEATURES

- Designed for up to 9 inches of water or on-deck
- 2-year warranty for residential or commercial settings
- Built to withstand sun, weather, and chemicals of any pool or outdoor environment
- Compatible with all pool types, including vinyl
- Crafted of a high-quality, UV16 rated resin, color stabilized for up to 16,000 hours of direct sunlight
- Easy application via threaded plug system
- Excellent lumbar support in seated, upright position

AVAILABLE COLORS



SIGNATURE

CHAIR LOW BACK

LAYOUT SUGGESTIONS

DESIGNED FOR UP TO 9" OF WATER OR ON-DECK
WT (EMPTY) 25 LBS | WT (FULL) 125 LBS

Minimum tanning ledge length is the same regardless of water depth.

DEPTH: 0-9" | LENGTH: 34"

