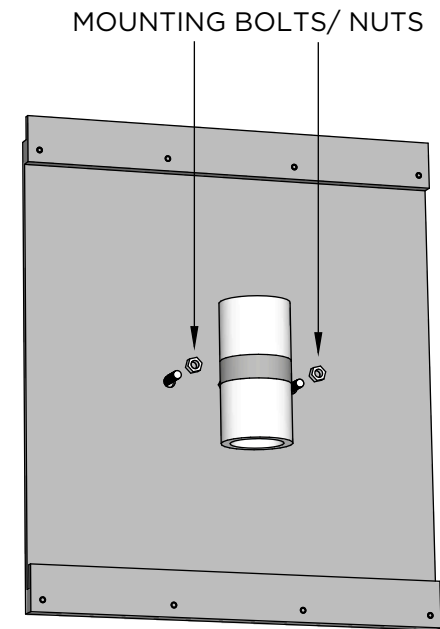
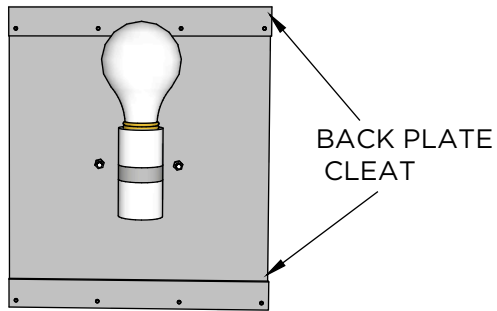


STEP: 1
ATTACH ADAPTOR PLATE
TO WALL AT POWER SOURCE
OR JUNCTION BOX WITH
MOUNTING BOLTS LEVEL

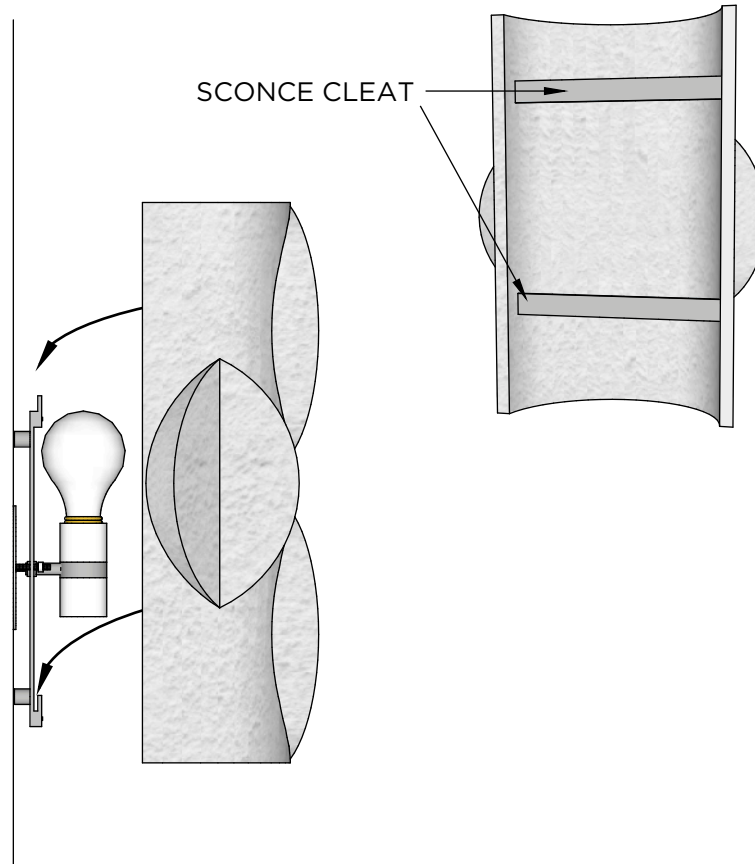
STEP: 2
HOLD BACK PLATE WHILE
ATTACHING SCONCE WIRES
TO POWER SOURCE WITH
WIRE NUTS USING
ALL ELECTRICAL SAFETY
PRACTICES



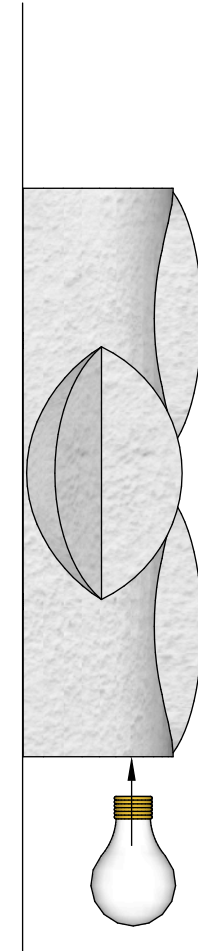
STEP: 3
PLACE BACK PLATE
ONTO ADAPTOR PLATE
MOUNTING BOLTS,
THREAD ON NUTS



STEP: 4
SCREW IN TOP BULB



STEP: 5
LOWER SCONCE CLEAT
ONTO BACKPLATE CLEAT



STEP: 6
SCREW IN LOWER BULB