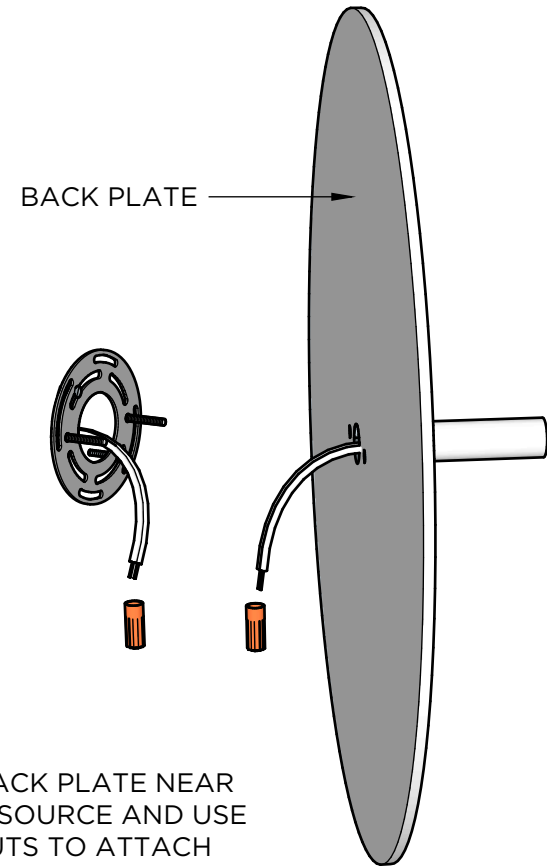


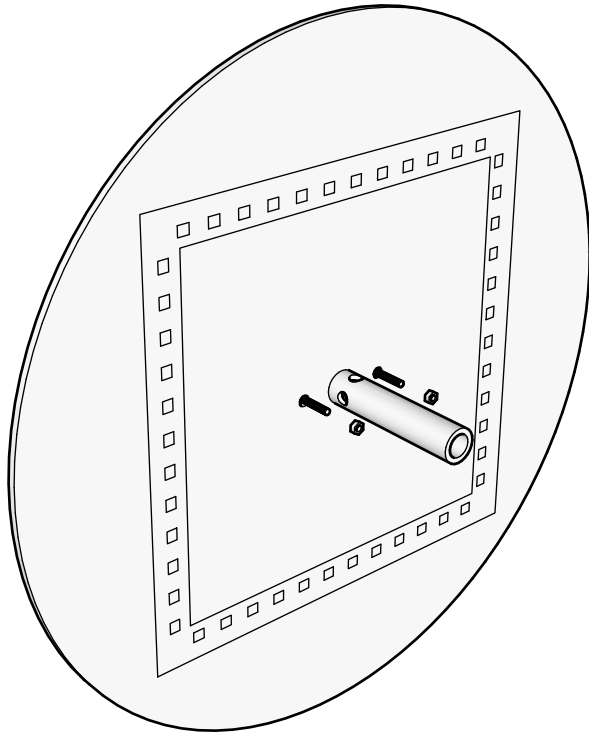
**STEP: 1**

PLACE ADAPTOR PLATE  
ON WALL WITH MOUNTING  
BOLTS FACING OUT.

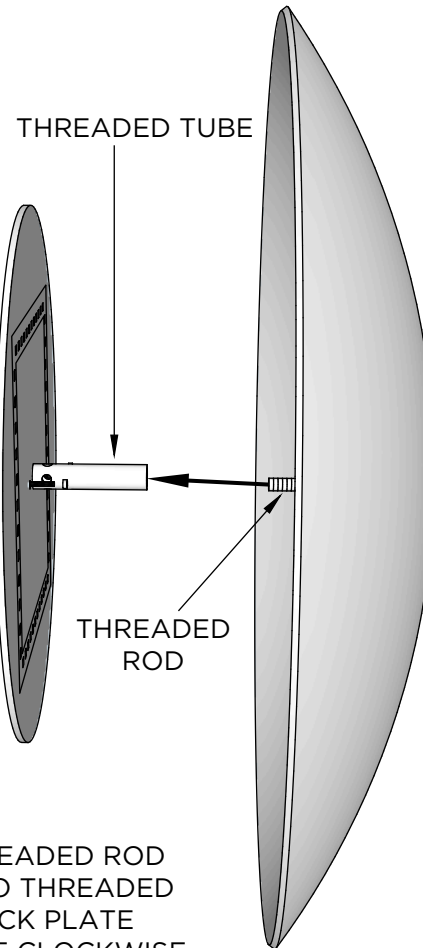


**STEP: 2**

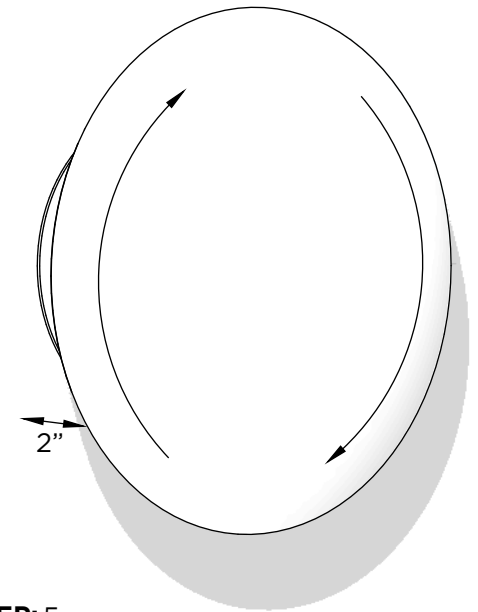
HOLD BACK PLATE NEAR  
POWER SOURCE AND USE  
WIRE NUTS TO ATTACH  
WIRES OF POWER SOURCE TO  
SCONCE WIRES USING  
ALL SAFE ELECTRICAL PRACTICES



**STEP: 3**  
PLACE BACKPLATE  
ONTO MOUNTING BOLTS  
AND THREAD ON NUTS



**STEP: 4**  
LINE UP THREADED ROD  
ON MOON TO THREADED  
TUBE ON BACK PLATE  
AND ROTATE CLOCKWISE



**STEP: 5**  
SCREW IN MOON UNTIL  
IT IS APPROXIMATELY  
2" OFF OF WALL