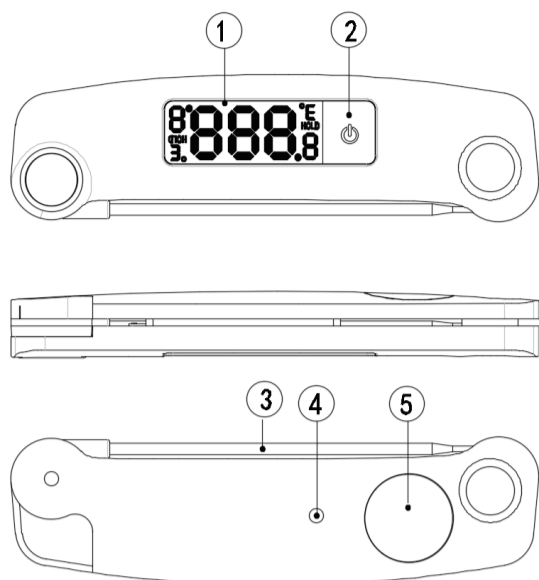


Model # PT-51 Super Large LCD Thermocouple Thermometer Instruction Manual



1. Super Large LCD
2. Hold and LCD rotate button
3. Stainless Steel Probe
4. Celsius/Fahrenheit button
5. CR2032 battery door

Features:

Super Large LCD with .75" digits and back light

Hold button to freeze the display

Temperature range - 4°F to 482°F (- 20°C to 250°C)

Temperature accuracy 32°F to 212°F +/- .9°F (0 - 100°C +/- .5°C)

Speed under 3 seconds

Display rotates 180 °

1 pc CR2032 battery included

C/F selection button on rear

IP67 water proof – (unit can be dropped in 3ft of water for up to 30 minutes)

POWER: To turn unit on simply open the probe to the extended position and the LCD will illuminate.

SHUT OFF: The unit will shut off when the probe is returned to the closed position.

ROTATING THE DISPLAY 180 °: Open the probe and the unit will turn on. Press and hold the HOLD button 2 seconds to invert the LCD display 180°.

FAHRENHEIT AND CELSIUS: The unit is set to Fahrenheit at the factory and always defaults back to Fahrenheit. To switch from Fahrenheit to Celsius open the probe to turn the unit on and press the small °C/°F button on the back of the unit to switch between Fahrenheit and Celsius.

NORMAL TEMPERATURE MODE:

When the unit probe is extended it will show the Normal temperature in the room. The thermometer is constantly reading and updating the temperature in real time. Current temperature will be displayed on the LCD.

Temperature reference:

Beef Well: 160 F (71 C)

Beef Medium: 140 F (60 C)

Beef Medium Rare: 130 F (54 C)

Beef Rare: 125 F (52 C)

Lamb Well: 160 F (71 C)

Lamb Medium: 140 F (60 C)

Lamb Medium Rare: 130 F (54 C)

Pork Well: 160 F (71 C)

Pork Medium: 140 F (60 C)

back size: 250x192mm

CLEANING AND CARE INSTRUCTIONS:

CLEANING:

The PT-51 thermometer is dust proof and water proof to IP67 standards as stated in the specification. Use a damp sponge or cloth to clean the unit and probe. You may also dip the cloth or sponge in warm soapy water to help remove surface deposits and prevent them from becoming hard or sticky on the unit.

Cautions:

Do not use solvent based cleaners or methylated spirits.
Not Intended for Use by Persons ages 12 and Under

Warning:

Thoroughly clean thermometer after each use to avoid cross contamination.
When measuring high temperature items personal protection such as gloves should be used.

DO NOT ATTEMPT TO RECALIBRATE THE UNIT.

CHANGING THE BATTERIES

On the back of the unit is a round batter door. With a coin rotate the door from the LOCKED icon to the UNLOCKED icon. You may need to tap the door off into the palm of your hand. Replace with new CR2032 button battery with + side up. Be careful to slide the battery into the battery compartment so the side contact hits the side of the battery and is not crushed down. Then replace the battery door and rotate to the LOCKED icon.

MAVERICK LIMITED 1 YEAR WARRANTY

Maverick Industries Inc. warrants this product to be free of defects in parts, materials and workmanship for a period of 1 year, from date of purchase. Should any repairs or servicing under this warranty be required, contact Maverick Customer Service by mail or phone for instructions on how to pack and ship the product to Maverick's National Service Center located as follows:

Maverick Customer Service
94 Mayfield Ave.
Edison NJ 08837

Telephone: (732) 417-9666

Hours: Weekdays 8:30 AM- 4:30 PM

Do not send any parts or product to Maverick without calling and obtaining a Return Authorization Number and instructions.

This warranty is VOID if instructions for use are not followed; for accidental damage; for commercial use; for damage incurred while in transit; or if the scale has been tampered with.

This warranty gives you specific legal rights and you may also have other rights which vary from state to state.

www.maverickthermometers.com