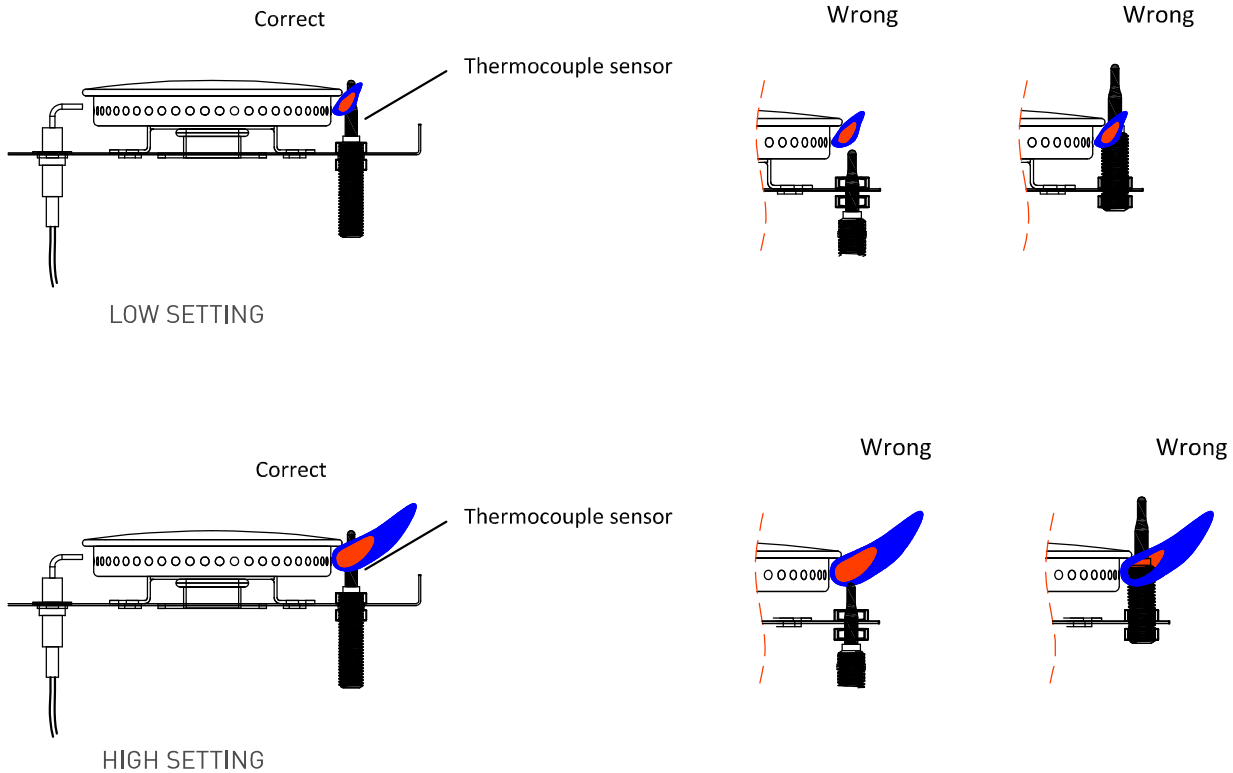


CORRECT POSITION OF THE FFD SENSOR

The FFD Sensor is already factory fitted in the correct position and should not need adjusting. The sensor needs to be in the flame at all times.

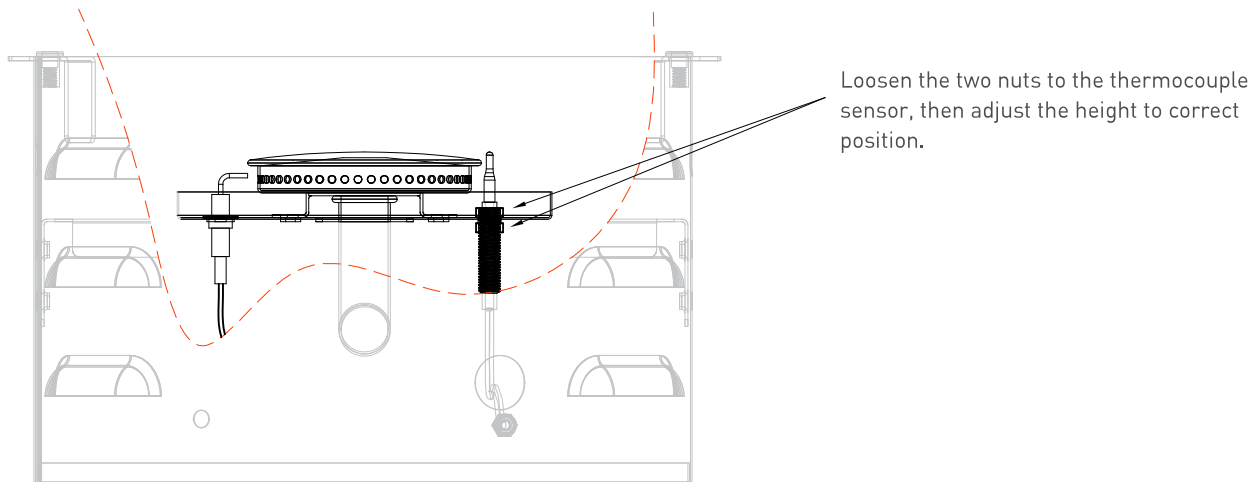
Please see the correct position of this sensor.



ADJUSTING SENSOR

If the flame in the burner is going out after you light the unit you may have to slightly adjust the position of the sensor.

This is easily done by loosening the two nuts on either side and moving the sensor up or down and then retightening to fix in place.



Please note when you initially light the unit you will need to push the control knob in and turn to the left but continue pushing the control knob which will release the gas for it to ignite.