

OTS® BASIC

Programmable in free mode, the BASIC OTS is a safe bet for facilities that require simple and direct locker management.

Stand alone or as part of an access control system, the OTS transponder is a secure choice. Users can open or close lockers by simply pressing a proximity media: card, bracelet or Wellness® key against the door knob.





OTS® BASIC

RFID LOCK



OTS BASIC
FRONT



OTS BASIC
BACK

HIGH BATTERY LIFE

High autonomy due to the low battery consumption.

USER FRIENDLY

Easy to use by pressing knob.

Easy mounting in the door.

Unobtrusive appearance in the unit thanks to its design.

MOISTURE PROOF

Moisture proof.

ROBUSTNESS

Vandal proof using a back-stop system for the cam.

MANAGEMENT

Equipped with accessories for easy handling (master and service key).

Programmable in free mode.

DATA TRANSFER

Occupied locker detection through integration with the turnstile.

COMPATIBILITY

Compatible with access controls thanks to Mifare technology.

Compatible with leading fitness training systems: Technogym Wellness System, Preva Networked Fitness, Milon.



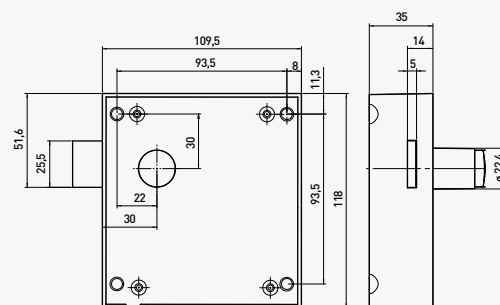
OTS BASIC

TECHNICAL FEATURES

POWER SUPPLY	4 AA 1.5V batteries
BATTERY LIFE	30,000 cycles
DETECTION OF LOW BATTERY	✓
COMMUNICATION INTERFACE	-
TECHNOLOGY	Mifare 1k, 4k
TEMPERATURE RANGE	-20° to + 70°
PROTECTION AGAINST SOLID AND LIQUID BODIES	IP55
PROTECTION AGAINST EXTERNAL IMPACT	IK7
PROTECTION AGAINST INTERNAL IMPACT	IK9
DISPLAY	-
DIMENSIONS	109,5 x 35 x 118 mm

In the case of use with metal lockers, please contact Ojmar.

TECHNICAL DRAWINGS



INTELLIGENT LOCKING SYSTEMS

Polígono Industrial de Lerun, s/n
20870 Elgoibar · Spain
T. +34 943 748484
www.ojmar.com

