

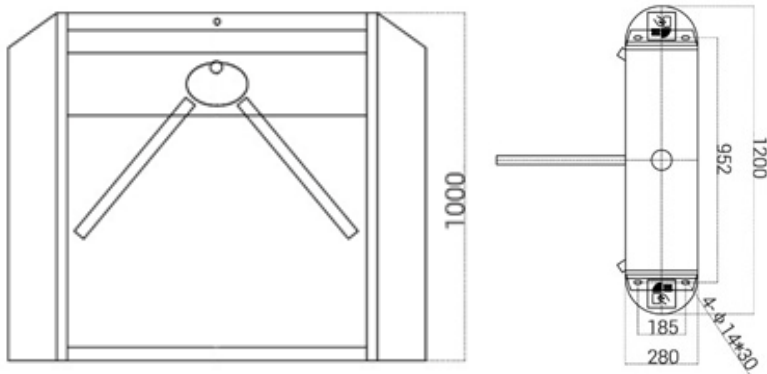
Turnstile ID GATE 9200



Description

The **ID GATE 9200** turnstile is a flexible access control solution that can be used in various areas. In office buildings, airports, public transportation, stadiums, universities, museums and retail stores. Our solution helps to restrict access to certain areas to authorized persons only.

Thanks to its reliability and flexibility, the ID GATE 9200 turnstile is an excellent choice for anyone who needs secure access control.



HIGHLIGHT

- Long-lasting performance, high operational reliability and fast response
- Transponder or ticket-based input and output possible, alternatively free-turning output
- Automatic anti-panic folding arms that guarantee free passage in emergency situations (e.g. power failure or fire alarm)
- Integrated LED indicators show the throughput direction
- 3 year warranty

Accessories (Optional)

- 2x RFID-Leser (NXP MIFARE® Ultralight, Classic 1k / 4k)
- Wireless Remote Control
- Third-party reader installation (z.B. MIFARE, LEGIC, EM, HID, etc.)

TECHNICAL DATA

Specification	
Dimensions	1280 x 280 x 1000mm (L x B x H)
Passage width	550mm
Material	Stainless steel (304)
Power supply	AC230V/110V, 50/60Hz
Power consumption	20W-50W
Operating voltage	24V DC
Throughput frequency	35-40 people per minute
Emergency Mechanismus	Automatic anti-panic folding arms
Communication interface	TCP/IP, RS485, dry contact, relay signal
Operating temperature	-15 °C up to 60 °C
Protection class	IP65 (for indoor and outdoor use)
Optional	<ul style="list-style-type: none"> • RFID Reader (Mifare / EM / Hitag) • Barcode / QR Code Reader • Combined QR Code / RFID • Remote control (cable / radio) <p>Third party reader installation on request</p>

ACCESSORIES (OPTIONAL)

Product Accessories	
Accessories (Optional)	<ul style="list-style-type: none"> • 2x RFID-Reader (NXP MIFARE ® Ultralight, Classic 1k / 4k) • Wireless remote control • Foreign reader installation (z.B. MIFARE ®, LEGIC, EM, HID, etc.)