

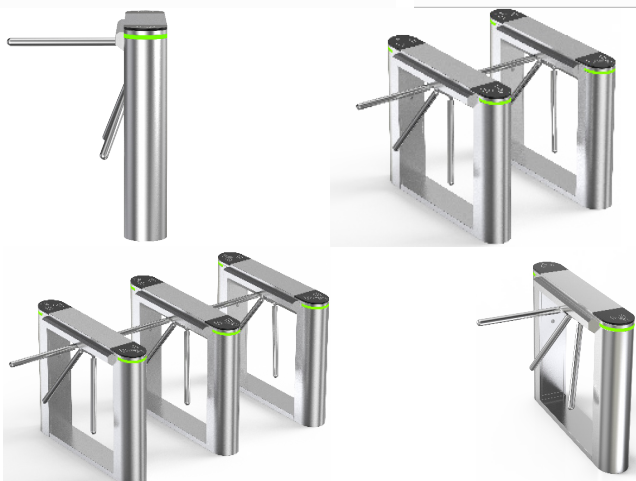
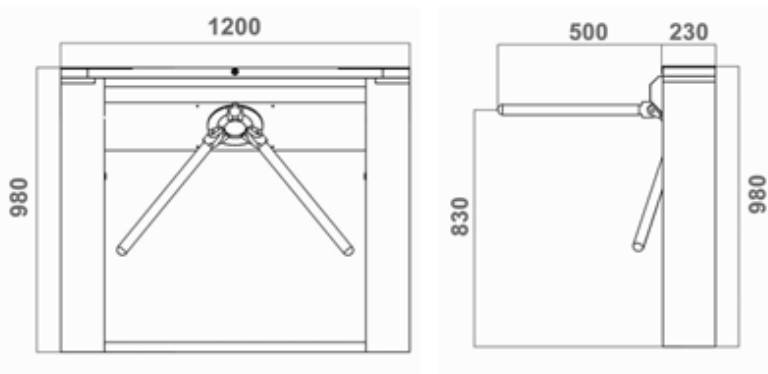
Turnstile ID Gate 7700

Description

The **ID GATE 7700** turnstile offers a reliable and secure access control solution for a variety of applications. Whether in office buildings, museums, stadiums, or universities, the turnstile protects against unauthorized access, ensuring a higher level of security.

Thanks to its versatile capabilities, the ID GATE 7700 is used in various environments, such as public transportation or airports. With the turnstile, access to specific areas is restricted, creating a safe and exclusive environment that meets the highest standards of functionality and security.

DIMENSIONS



HIGHLIGHTS

- Durability, high operational reliability, and quick response
- Transponder- or ticket-based entry and exit possible, alternatively, free-turning exit
- Automatic anti-panic folding arms that guarantee free passage in emergency situations (e.g., power failure or fire alarm)
- Integrated LED indicators show the passage direction
- 3 year warranty

Accessories (Optional)

- 2x RFID-Reader (NXP MIFARE® Ultralight, Classic 1k / 4k)
- Wireless Remote Control
- Installation of third-party readers (e.g., MIFARE, LEGIC, EM, HID, etc.)

TECHNICAL DATA

Specification	
Dimensions	1200 x 230 x 980mm (L x B x H)
Durchgangsbreite	500mm
Material	Stainless Steel (304)
Power Supply	AC230V/110V, 50/60Hz
Power Consumption	20W
Operating voltage	24V DC
Passage Frequency	35-40 people per minute
Emergency Mechanism	Automatic anti-panic folding arms
Communication Interface	TCP/IP, RS485, dry contact, relay signal
Operating Temperature	-15 °C up to 60 °C
Protection Class	IP65 (for indoor and outdoor use)
Optional	<ul style="list-style-type: none">• RFID Reader (Mifare / EM / Hitag)• Barcode / QR Code Reader• Combined QR Code / RFID Reader• Remote Control (Wired / Wireless) <p>Third-party reader installation available on request</p>