

ID SWING GATE 1200

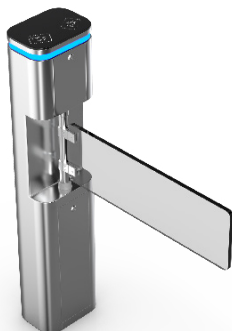
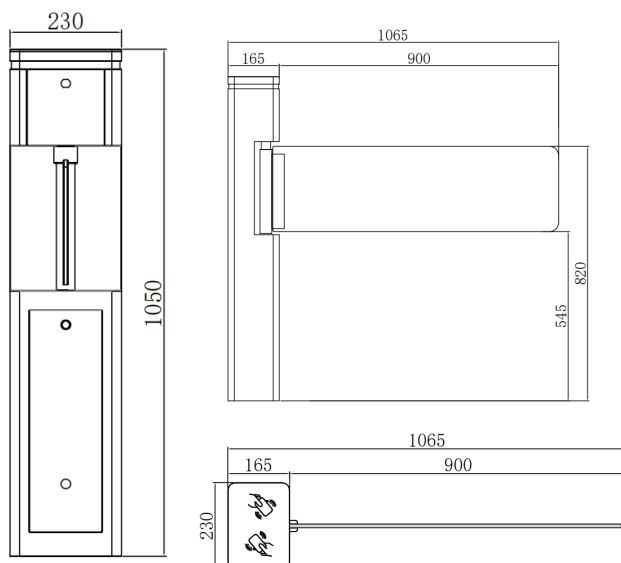


Description

ID SWING GATE 1200 is a versatile turnstile for access control that can be used in many areas. It is used in office buildings, airports and public facilities to control pedestrian traffic.

The ID SWING GATE 1200 is also used in stadiums, universities, museums, and retail stores to restrict access to specific areas, allowing for targeted crowd control. In short, the ID SWING GATE 1200 is a flexible and effective access control solution that is used in a wide range of applications.

DIMENSIONS



HIGHLIGHTS

- Durability, high operational reliability and fast response
- LED indicator (red means no entry, green means entry, blue means normal closing)
- One-sided or two-sided operation
- Indoor and outdoor
- 3 year warranty

Accessories (Optional)

- 2x RFID-Reader (NXP MIFARE® Ultralight, Classic 1k / 4k)
- Wireless remote control
- Foreign reader embedding (e.g. MIFA-RE, LEGIC, EM, HID, etc.)

TECHNICAL DATA

Specification	
Dimensions	230 x 165 x 1050mm (L x B x H)
Passage width	The maximum glass size is 850 mm. The maximum size for acrylic glass is 400 mm
Material	Stainless steel (304) + high quality black tempered film glass
Power supply	AC220V/110V, 50/60Hz
Power consumption	20W
Operating voltage	24V DC
Throughput frequency	35-40 people per minute
Emergency mechanism	Automatic opening hinged door
Communication interface	RS485, dry contact, relay signal
Operating temperature	-20 °C up to 75 °C
Protection class	IP65 (for indoor and outdoor use)
Optional	<ul style="list-style-type: none"> • RFID Reader (Mifare /EM /Hitag) • Barcode / QR Code Reader • Combined QR Code / RFID • Remote control (cable / radio) <p>Third party reader installation on request</p>

Accessories (Optional)

Product Accessories	
Accessories (Optional)	<ul style="list-style-type: none"> • 2x RFID-Reader (NXP MIFARE ® Ultralight, Classic 1k / 4k) • Wireless Remote Control • Foreign reader installation (z.B. MIFARE ®, LEGIC, EM, HID, etc.)