

## Access Reader Combo Device ID Ident 4000



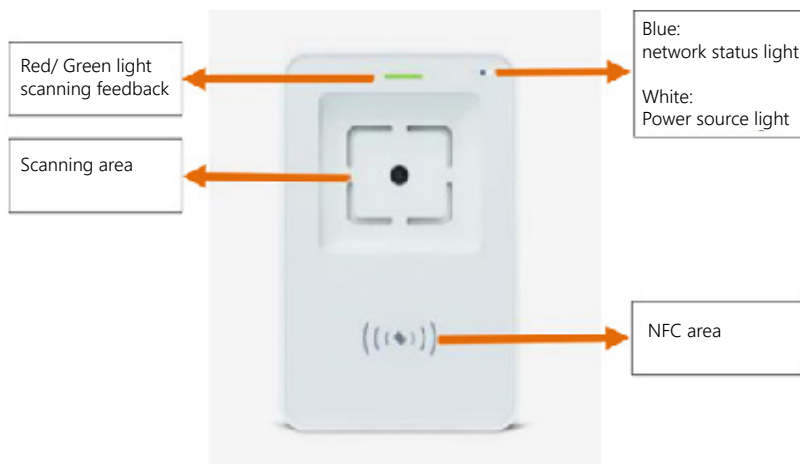
### Description

The **ID IDENT 4000** access reader reads barcodes from mobile screens and printed barcodes.

The ID IDENT 4000 combines QR/barcode and RFID technology in one device, delivering fast reading speed, high recognition rate, and strong compatibility.

The ID IDENT 4000 access reader is a specially designed product for access control with various outputs; it supports Wiegand and RS485 and can be connected to traditional access controllers.

It also supports the Ethernet output interface with a built-in relay module. The access reader is ideal for access control in hotels and corporate buildings.



### APPLICATIONS

- Public buildings / Administrations
- Schools & Universities
- Hotels & Gastronomy
- Healthcare

### Supported Transponders

- **ISO 14443 A**  
MIFARE® Classic 1K /4K, FudanF08, MIFARE Ultralight®, NTAG21x
- **ISO 15693**  
EM4135, EM4043, EM4x33, EM4x35, I-Code SLI / SLIX / 2

### Standard QR-/Barcodes

- EAN-13
- CODE-93
- CODE-128
- CODE-39
- ISBN-10/13
- 2/5 Interleaf
- All common QR codes

## TECHNISCHE DATEN

Specification	
Dimensions	132 × 88 × 21 mm
Window size	60 × 56 mm
Display	Rot, grün, blau, weiß
Imaging sensor	300,000 pixel CMOS Sensor
Maximum resolution	640*480
Material	Integrierter PC & gehärtetes Glas

## PERFORMANCE FEATURES

Specification	
OS	Windows (XP, 7, 8, 10)
Depth of field	15.9 mm ~ 75.68 mm (QRCODE 15 mil)
Field of view	Horizontal 72.4° Vertical 54.2° FOV 84.8° (70 character 15milQR)
RFID	13.56 MHz

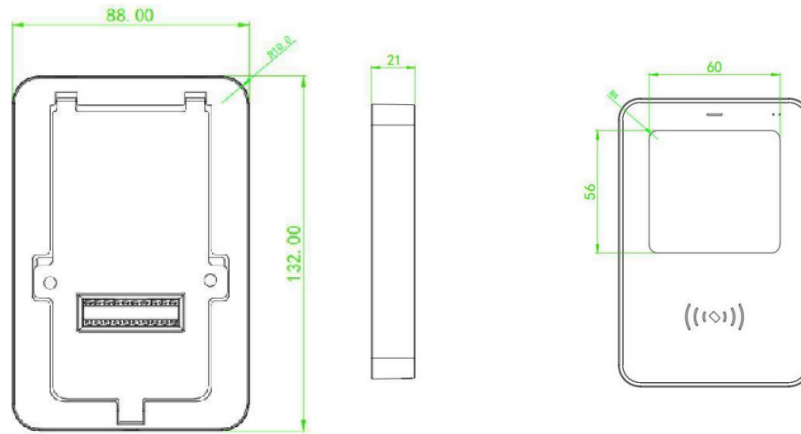
## USER ENVIRONMENT

Specification	
Reading accuracy	>7 mil
Reading speed	100 ms average, continuous reading
Reading direction	Inclination ±59.5°, rotation ±360°, bending ±63.5° (70 character 15milQR)
Method	Reads UID, reads the range from M1 card
Distance	<5 cm
Type	ISO 14443A, ISO 15693
Code types	QR, PDF417, CODE39, CODE93, CODE128, ISBN10, ITF, EAN13 usw.
Output interface	RS485, Wiegand, Ethernet, Relay
Installation method	Wall mounting

## ORDER CODE

Order Code	
ID IDENT 4000 Black	R-EA-ID4000-HF-QR-BK
ID IDENT 4000 White	R-EA-ID4000-HF-QR-WH

## DIMENSIONS



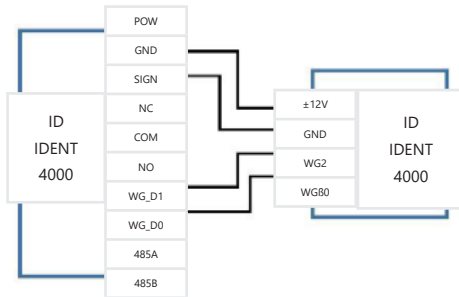
## ASSEMBLY INSTRUCTIONS

<p>1. fix the holder on the B6 box</p>	<p>2. Tighten up the holder with 2 M4*20 screws</p>	<p>3. Fix the product on the metal holder</p>	<p>4. Tighten up the product with 1 M8*8 screws from bottom</p>

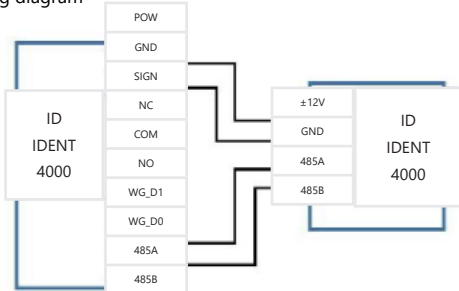
## PIN LAYOUTS

Pin10	Pin9	Pin8	Pin7	Pin6	Pin5	Pin4	Pin3	Pin2	Pin1
POW	GND	SIGN	NC	COM	NO	WG_D1	WG_D0	485A	485B

Wiegand wiring diagram



RS485 wiring diagram



Pin10	Pin9	Pin8	Pin7	Pin6	Pin5	Pin4	Pin3	Pin2	Pin1
POW	GND	SIGN	NC	COM	NO	TX-	TX+	RX-	RX+

ID IDENT 4000 interface	Pin4	Pin3	Pin2	Pin1
Network cable color	Orange	Orange White	Green	Greenwhite

ID IDENT 4000 Ethernet model directly leads four network cable pins, and can be connected to four of the standard eight-core network cables according to the color. The network cable uses the 568B type connection method. Refer to the table below and connect the cables according to color.

Wiring diagram (network device)

