

ID LOCK 5000



Description

The **ID LOCK 5000** is an electronic locking system with a convenient numeric keypad, designed for easy locking of cabinets and storage compartments. Our primary concern is ensuring the security of your sensitive data and valuable belongings against unauthorized access. With its discreet design and robust build, the lock can be seamlessly integrated into various materials. Whether it's wooden cabinet doors or steel furniture, the ID LOCK 5000 can be installed with ease. Its ergonomic and high-quality design makes it one of the most practical locking systems available on the market.

Multi-user mode

This mode is particularly suitable for constantly changing users who only use the compartment temporarily or once. The pin code is therefore only valid for a single locking process and is automatically deleted by the locker itself when the locker is opened. This makes the multi-user mode ideal for swimming pool and spa visitors.

Private mode (default)

In this mode, the lock is permanently assigned to a single user. This user is now permanently authorized to operate the lock.

Battery warning

By illuminating a red LED signal light during pin entry, the device indicates a decrease in battery voltage. It is recommended to perform a battery replacement as soon as the lock displays a low level. If the battery level reaches the critical range, the ID LOCK 5000 will no longer be operational.

Lock mode

If the code is entered incorrectly for the fourth consecutive time, the lock will automatically be locked for 1 minute. During this time, any attempted pin entry will be rejected by the lock.

► APPLICATIONS

- Gyms
- Swimming pools
- Office buildings
- Schools

► FEATURES

- 2 installation variants
(Retro-Fit + Flush-Fit)
- Pin code lock with master code
- Battery drawer can be accessed from the outside
- Different latches for every installation situation
- Private mode or free spin selection
- Max. Door thickness 22mm

TECHNICAL DATA

Specifications	
Dimensions	50 mm diameter
Installation dimensions	16 mm × 19 mm
Closing cycles	3.000
Bolt type	B
Battery	1/2 AA Varta (2x)
Lock fastening	M19 nut (1×)
Dynamic current	<120 mA
Material	Housing: plastic Bolt: steel
Closing direction	Left (90°)
Mode	Private mode, Multiuser mode
Max. Door thickness	22 mm
Pin (default)	1234
Master code (default)	4321
No. PINs	max. 1
No. Master codes	max. 1
PIN / master code length	4 to 15 digits

Default settings	
Mode	Private mode

Scope of delivery	
Scope of delivery	<ul style="list-style-type: none"> • 1 locking system ID LOCK 5000 • 1 Bolt type B • 1 M19 nut • 1 Manual (digital) • 1 Rotational protection

ORDER CODE

Description	Order code
ID LOCK 5000	R-EA-EEL-5000



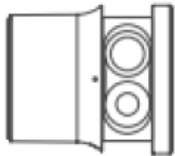
Retro-Fit

The Retro-Fit installation allows easy and almost tool-free replacement of the existing locks. Fast and cost-effective



Flush-Fit

The ID LOCK 1000 can be recessed into a furniture front and screwed in place with the ID LOCK 1000-Ring. The lock stands out discreetly from the front.

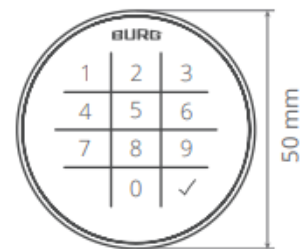


Battery Drawer

The batteries can be changed from the outside in both installation situations without having to unlock the lock.

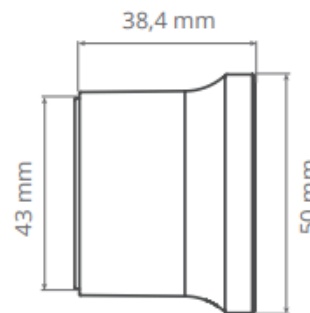


Front view



Side view

retro fit



flush fit

