

OCS[®]PRO

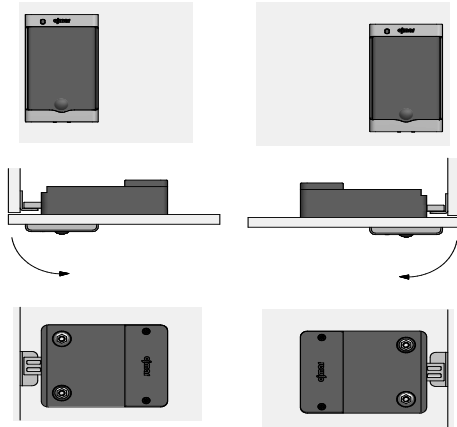
OCS[®]SMART

ASSEMBLY INSTRUCTIONS



LOCK DIRECTION

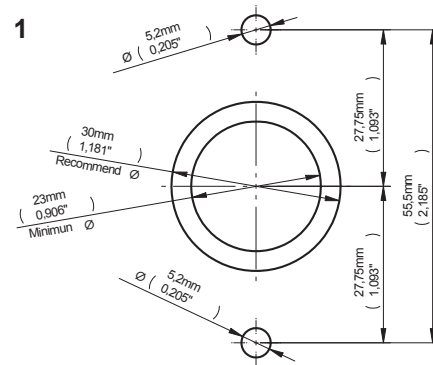
Lock assembly depending on if it is right handed or left handed is as follows.



Derecha
Right
Rechts
Droite

Izquierda
Left
Links
Gauche

The dimensions and location of the fixing holes are shown in the following figures:



ASSEMBLY AND INSTALLATION PROCESS

The steps to follow to assemble the lock on the unit must be followed in this order:

1.- Mark the holes according to the template and drill. The surface where the lock is installed should be smooth and clean.

2.- Remove the plastic from the adhesive on the rear part and pass the cable through the hole in the middle not resting the mechanics on the door.

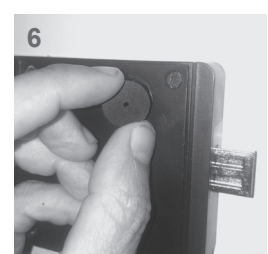
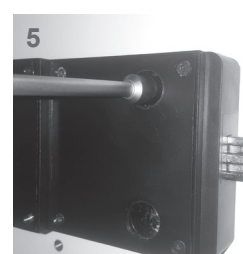
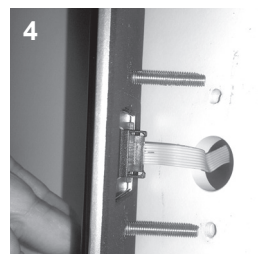
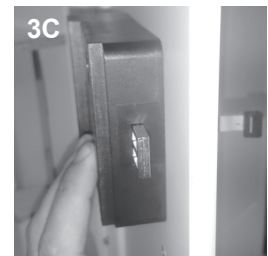
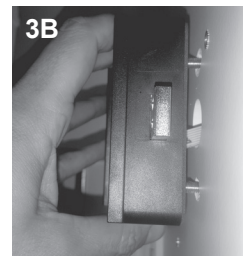
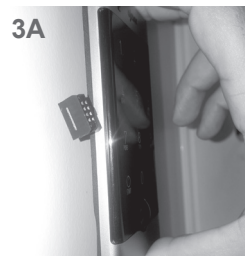
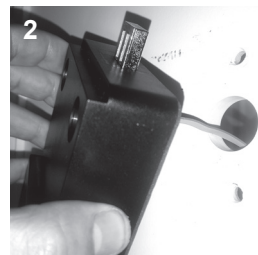
3.- Position the front part and not connecting the mechanical part's cable. When the screws are guiding the rear part tighten it strongly against the door until it is fixed.

4.- Remove the front and connect the cable into the connector until you hear three beeps accompanied by three amber flashes of the LED. Mount the front while holding the rear section so that it does not fall off.

5.- Screw using two M5 nuts and an 8 box spanner. A tightening torque of 250 Ncm should not be exceeded when screwing each nut.

6.-Put the two trim caps on. Insert a sharp object in the middle hole to disassemble the caps.

(*) NOTE: During installation, make sure that the lock does not hit the locker body with the door open.

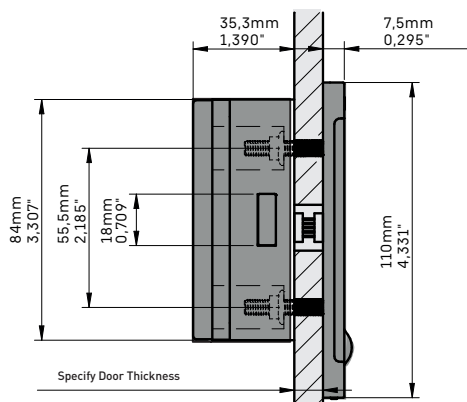


TECHNICAL DRAWINGS

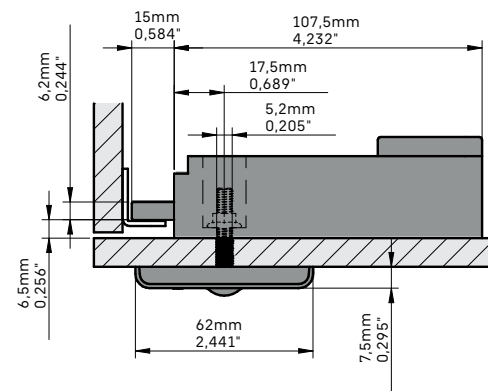
OCS®PRO / OCS®SMART TOUCH LOCK E-17,5 FREE

•))

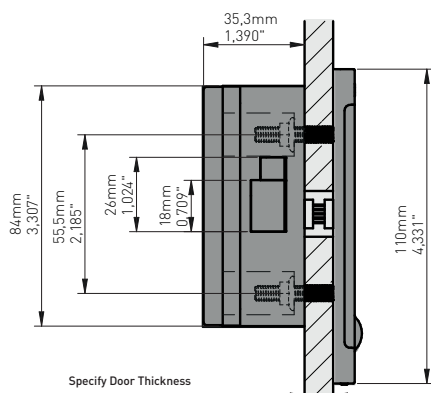
slide view



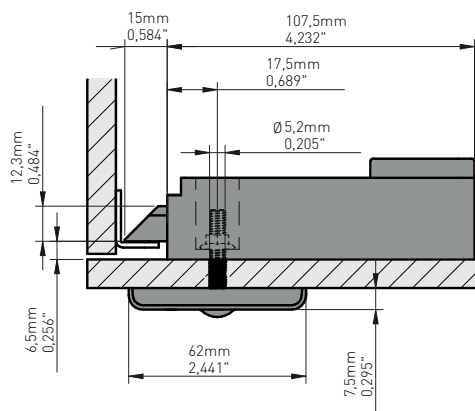
top view



slide view



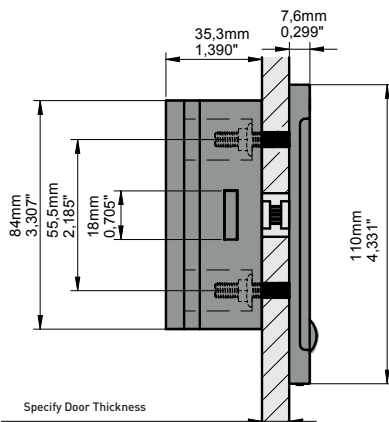
top view



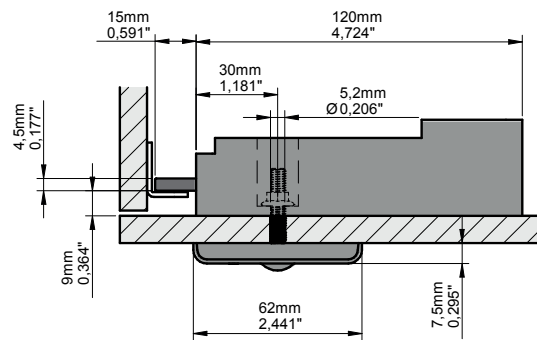
OCS®PRO / OCS®SMART TOUCH LOCK E-17,5 FIXED

•))

slide view



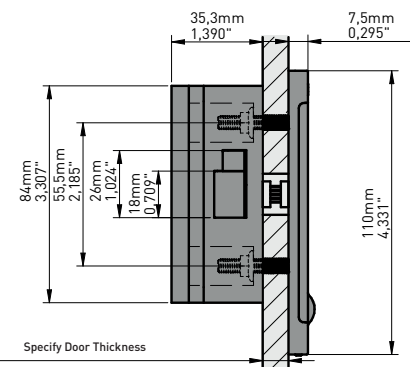
top view



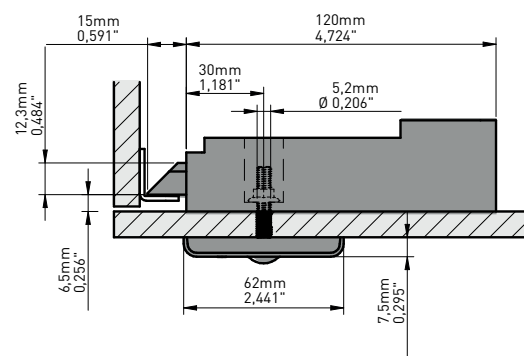
OCS®PRO / OCS®SMART TOUCH LOCK E-30 FREE

•))

slide view



top view



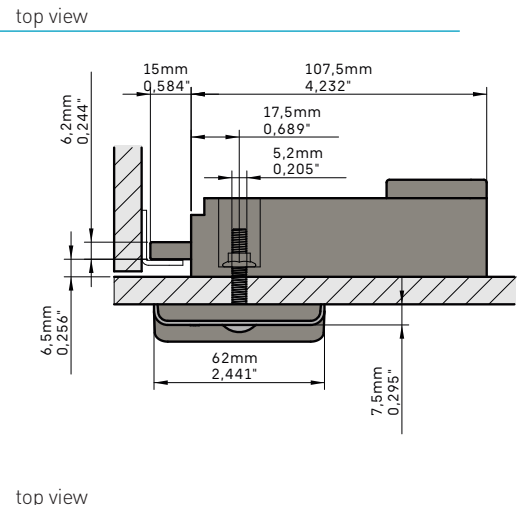
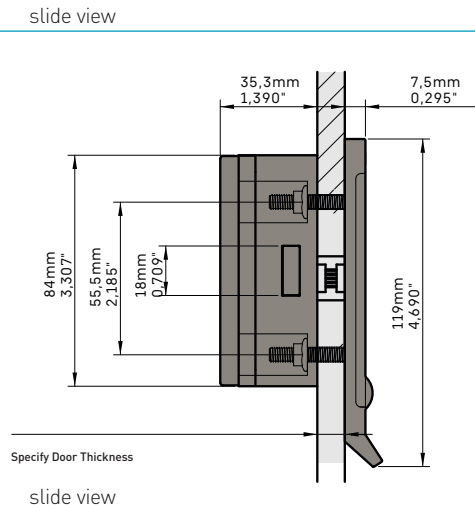
OCS®PRO / OCS®SMART TOUCH LOCK E-30 FIXED

•))

TECHNICAL DRAWINGS WITH HANDLE

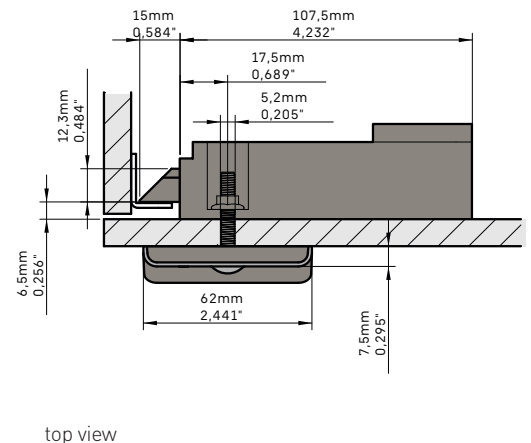
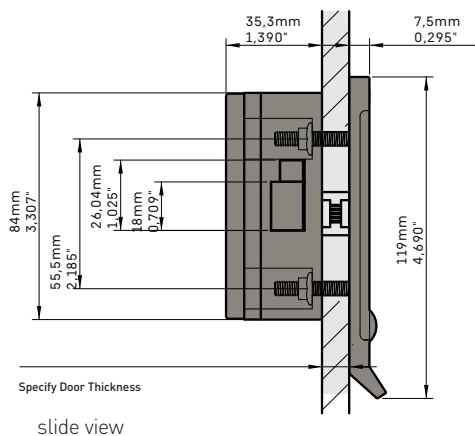
OCS®PRO / OCS®SMART TOUCH LOCK E-17,5 FREE

•))



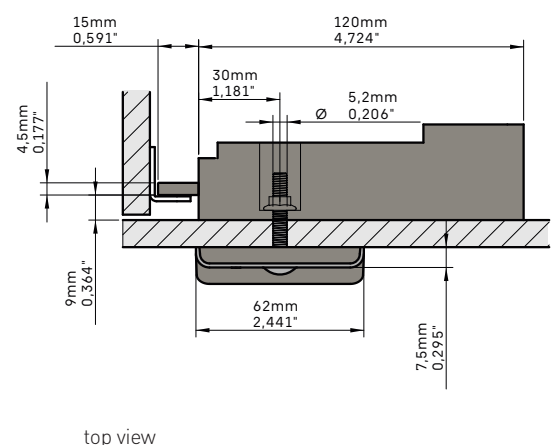
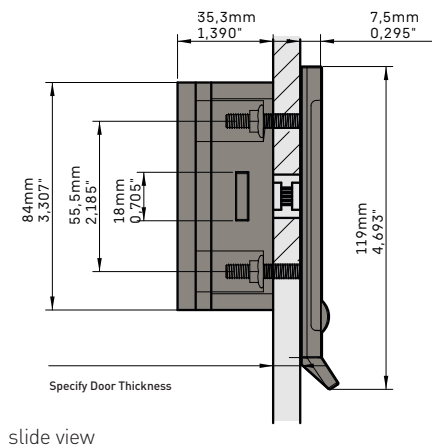
OCS®PRO / OCS®SMART TOUCH LOCK E-17,5 FIXED

•))



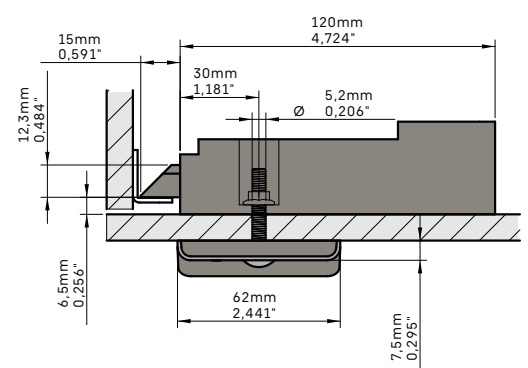
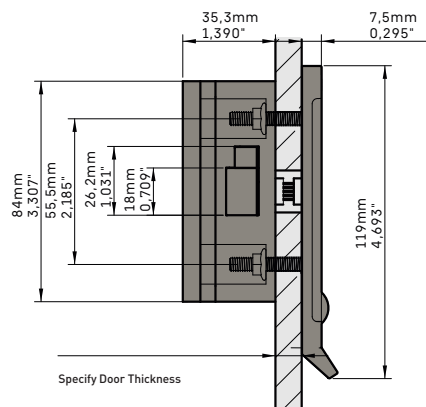
OCS®PRO / OCS®SMART TOUCH LOCK E-30 FREE

•))



OCS®PRO / OCS®SMART TOUCH LOCK E-30 FIXED

•))





INTELLIGENT LOCKING SYSTEMS

CONTACT

sales@ojmar.com

+34.943.748.484

OJMAR HQ

Polígono Industrial de Lerun

20870 Elgoibar - SPAIN

OJMAR USA

17155 Von Karman Ave, S111

Irvine CA. 92614 - USA

www.ojmar.com