

ALTAIR™-C & ALTAIRDLX™-C SERIES

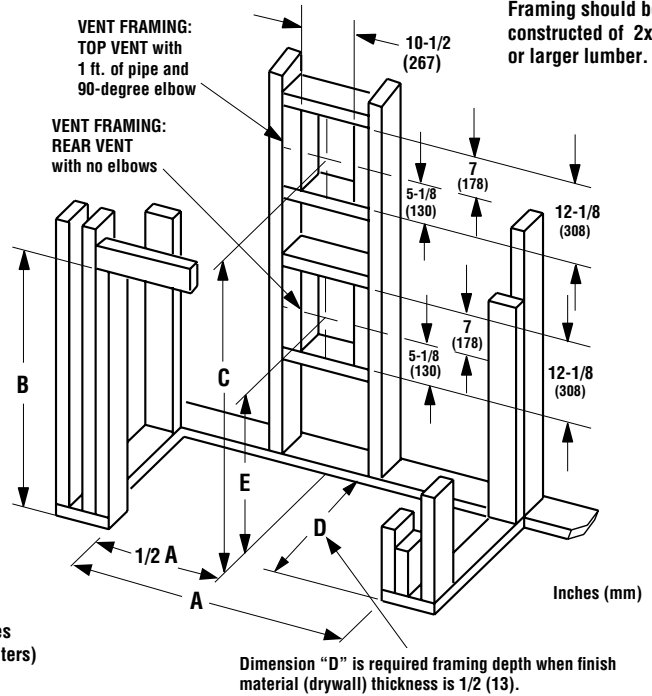
DIRECT-VENT FIREPLACES

Appliance Specifications

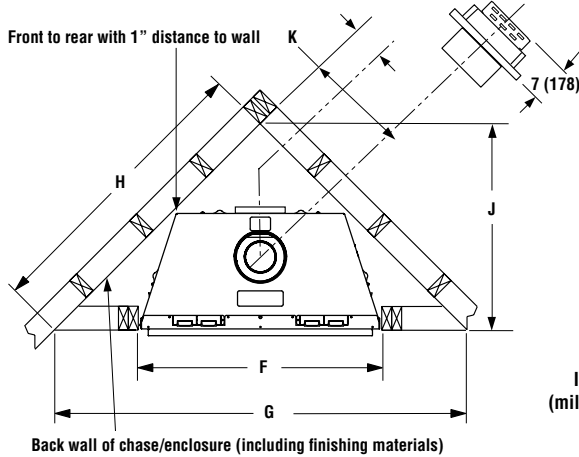
Framing Dimensions - Inches (millimeters)					
Model	A *	B	C	D**	E
40" DLX	40-7/8 (1039)	41-1/4 (1048)	43-3/4 (1111)	23 (585)	28-1/4 (717)
45" DLX	45-7/8 (1166)	41-1/4 (1048)	55-3/4 (1417)	23 (585)	N/A (top vent only)
40" non-DLX	40-7/8 (1039)	41-1/4 (1048)	43-3/4 (1111)	23 (585)	28-1/4 (717)
45" non-DLX	45-7/8 (1166)	41-1/4 (1048)	43-3/4 (1111)	23 (585)	28-1/4 (717)

Model	F	G	H	J	K
40" DLX	40-7/8 (1039)	78-1/4 (1988)	55-1/2 (1410)	40-1/2 (1029)	15-7/8 (404)
45" DLX	45-7/8 (1166)	85-7/8 (2182)	61 (1550)	40-1/2 (1029)	17-1/2 (445)
40" non-DLX	40-7/8 (1039)	78-1/4 (1988)	45-3/8 (1153)	40-1/2 (1029)	15-7/8 (404)
45" non-DLX	45-7/8 (1166)	85-7/8 (2182)	61 (1550)	40-1/2 (1029)	17-1/2 (445)

Framing should be constructed of 2x4 or larger lumber.



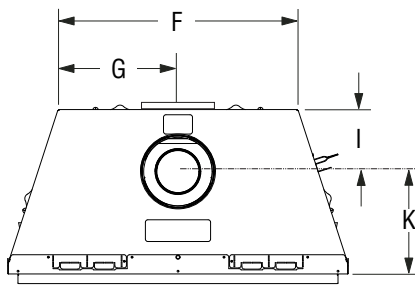
Framing Dimensions



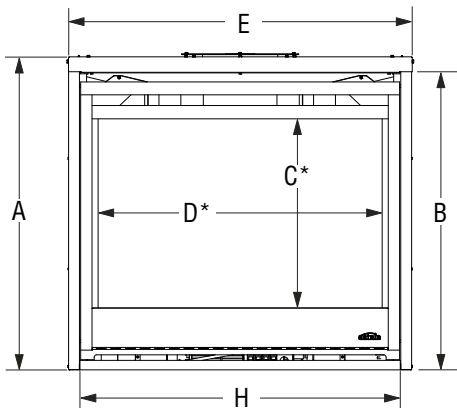
C = Minimum height of top vent installations
 E = Minimum height of rear vent installations
 * Minimum opening size; additional 1/8" per side is recommended.

NOTE: Framing specifications do NOT apply for flexible venting. When using flexible venting, refer to the kit requirements for framing specifications.
NOTE: When in top vent mode - No combustible material shall be allowed to contact the rear flue cap/cover

Fireplace Dimensions



Top View



Front View

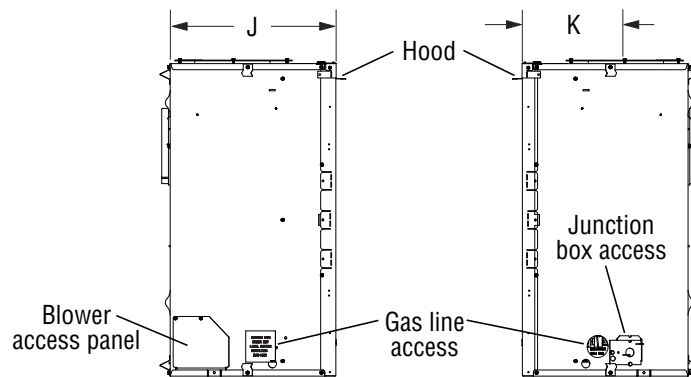
Model	A	B	C*	D*	E	F
40" Models	37-1/8 (943)	35-1/2 (902)	24-1/2 (623)	34-1/4 (870)	40-1/4 (1022)	30 (762)
45" Models	37-1/8 (943)	35-1/2 (902)	24-1/2 (623)	39-1/4 (997)	45-1/4 (1149)	35 (889)

Model	G	H	I	J	K
40" Models	15 (381)	37-7/8 (962)	6-7/8 (175)	21 (534)	12-3/8 (315)
45" Models	17-1/2 (445)	42-7/8 (1089)	6-7/8 (175)	21 (534)	12-3/8 (315)

* C and D are glass viewing area dimensions
 Inches (millimeters)

NOTE: When in top vent mode, No combustible material shall be allowed to contact the rear flue cap/cover.

Diagrams, illustrations and photographs are not to scale. Consult installation instructions. Product designs, materials, dimensions, specifications, colors, and prices are subject to change or discontinuance without notice.



Left Side View

Right Side View

ALTAIR™-C & ALTAIRDLX™-C SERIES

Product Reference Information

Product Reference Information			
Cat. No.	Model	Ship. Wt.	Ship. Volume
F4287	Altair40DEN-C	210 lb.	43 cu. ft.
F4288	Altair40DEP-C		
F4291	Altair45DEN-C	223 lb.	43 cu. ft.
F4292	Altair45DEP-C		

Product Reference Information			
Cat. No.	Model	Ship. Wt.	Ship. Volume
F4293	AltairDLX40DEN-C	210 lb.	43 cu. ft.
F4294	AltairDLX40DEP-C		
F4295	AltairDLX45TEN-C	223 lb.	43 cu. ft.
F4296	AltairDLX45TEP-C		

Listing Information



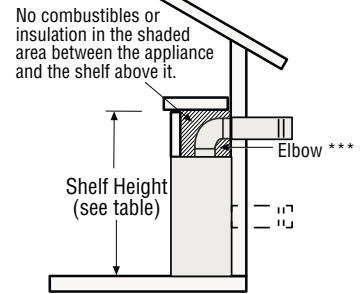
Report No. 16-120

Tested to ANSI Z21.50 (in Canada, CSA-2.22) & CAN/CGA-2.17-M91 in both USA and Canada, as vented gas fireplace heaters.

Shelf Height

Shelf Height Minimum Clearances

Model	Top Vent with 90° Elbow ***		Alternative Rear Vent applications
	Secure Vent® (using rigid elbow)	Secure Flex® (using flex elbow)	Secure Vent®
Altair40-C	52" (1321 mm) *	54" (1372 mm) *	46" (1169 mm)**
Altair45-C	52" (1321 mm) *	54" (1372 mm) *	46" (1169 mm)**
AltairDLX40-C	52" (1321 mm) *	54" (1372 mm) *	46" (1169 mm)**
AltairDLX45-C	68" (1727 mm) *	70" (1778 mm) *	N/A (top vent only)



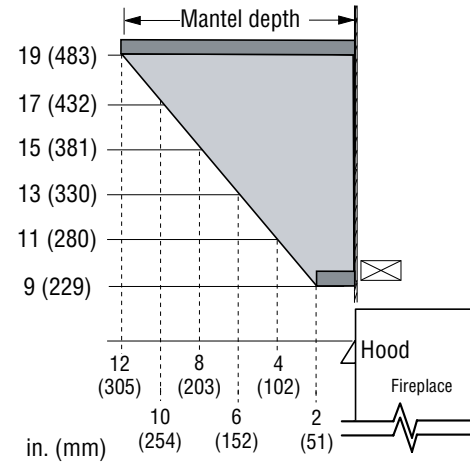
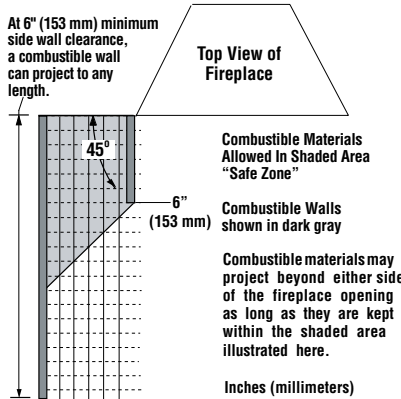
Clearances

Minimum Clearances ❶ Inches (millimeters)	
Back	1-1/2" (38mm) to wrapper 0" (0 mm) to Spacers
Sides	1/2" (13 mm) to wrapper 0" (0 mm) to Spacers ❷
Top Standoffs	0" (0 mm) to top standoffs
Floor	0" (0 mm)
From Bottom of Unit To Ceiling	64" (1626 mm)
Vent	3 (77) Top ❶ 1 (26) Sides & Bottom
SERVICE CLEARANCES Feet (meters)	
Front	3 feet (0.9 meters)

* Includes 3" clearance to combustibles (required above vent components)

** In alternative, Rear Vent applications, Top Vent will be sealed as detailed in Installation Sequence Step 4 (Page 20 in Installation and Operation Manual).

*** 40" models may connect an elbow directly to the top flue collar. 45" models must use, at a minimum, a 1 foot vertical section before connecting an elbow.



❶ NOTE: 3" (77 mm) above any horizontal/inclined vent component.

❷ NOTE: See Installation Instructions Manual (Step 1) for clearance requirements to the nailing flange located at each side of the unit and any screw heads adjacent to it.

Venting Requirements

