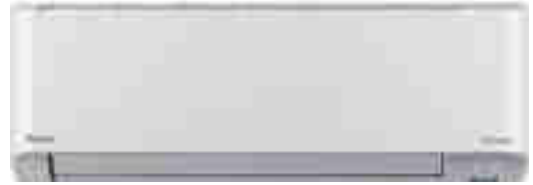


CTX**AXVJU Indoor Ductless Inverter

CTX07AXVJU
CTX09AXVJU
CTX12AXVJU



This manual is to be used by qualified technicians only.

Important Information

Index

Functional Parts List	3
Illustration and Parts	4 - 5

Views shown are for parts illustrations only, not servicing procedures.

Text Codes:

AR - As Required

NA - Not Available

NS - Not Shown

00000000 - See Note

QTY - Quantity Example (QTY 3) (If Quantity not shown, Quantity = 1)

M - Model Example (M1) (If M Code not shown, then part is used on all Models)

Expanded Model Nomenclature:

Example
M1 - Model#1
M2 - Model#2
M3 - Model#3

Daikin Manufacturing Company, L.P. is not responsible for personal injury or property damage resulting from improper service. Review all service information before beginning repairs.

Warranty service must be performed by an authorized technician, using authorized factory parts. If service is required after the warranty expires, Daikin Manufacturing Company, L.P. also recommends contacting an authorized technician and using authorized factory parts.

Daikin Manufacturing Company, L.P. reserves the right to discontinue, or change at any time, specifications or designs without notice or without incurring obligations.

For assistance within the U.S.A. contact:

Homeowner Support
Daikin North America, LLC
19001 Kermier Road
Waller, Texas 77484
855-770-5678-Telephone
713-863-2382-Facsimile

For assistance outside the U.S.A. contact:

International Division
Daikin North America, LLC
19001 Kermier Road
Waller, Texas 77484
713-861-2500-Telephone
713-863-2382-Facsimile

Functional Parts

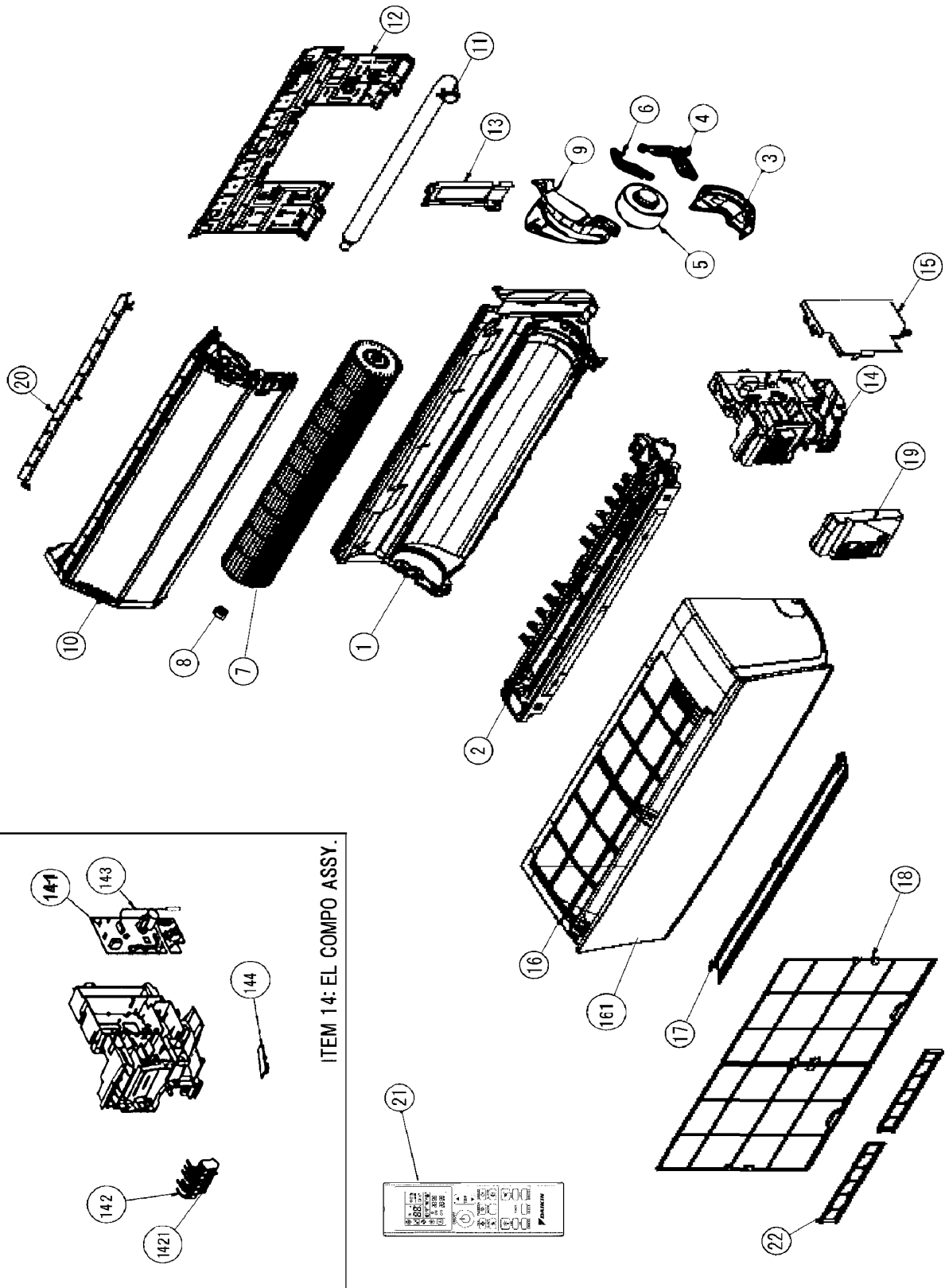
Part

No: Description:

2537986	CONTROL BOX ASSY. (M3)
2537985	CONTROL BOX ASSY. (M2)
2537984	CONTROL BOX ASSY. (M1)
4026848	FAN MOTOR
4026843	INDOOR COIL SENSOR
2534614	IR RECEIVER BOARD
2537989	PRINTED CIRCUIT BOARD (INV. DC) (M3)
2537988	PRINTED CIRCUIT BOARD (INV. DC) (M2)
2537987	PRINTED CIRCUIT BOARD (INV. DC) (M1)

Expanded Model Nomenclature

M1 - CTX07AXVJU
M2 - CTX09AXVJU
M3 - CTX12AXVJU



ITEM 14: EL COMPO ASSY.

CTX[07,09,12]AXVJU

Ref. Part No:	No:	Description:	Ref. Part No:	No:	Description:
---------------	-----	--------------	---------------	-----	--------------

Image 1:

1	4023827	BOTTOM FRAME ASSY.
2	2537982	DRAIN PAN
3	4023892	MOTOR MOUNTING PLATE 1
4	4023893	MOTOR MOUNTING PLATE 2
5	4026848	FAN MOTOR
6	4023894	MOTOR MOUNTING PLATE 3
7	4025980	CROSS FLOW FAN ASSY.
8	4023895	FAN BEARING VIBRATION ABSORBER
9	4023896	SIDE PANEL (RIGHT)
10	2537983	HEAT EXCHANGER
11	4023897	DRAIN HOSE ASSY.
12	4023898	INSTALLATION PLATE ASSY.
13	4023899	PIPING FIXTURE
14	2537984	CONTROL BOX ASSY. (M1)
14	2537985	CONTROL BOX ASSY. (M2)
14	2537986	CONTROL BOX ASSY. (M3)
15	4023900	SHILED PLATE (2)
16	4023988	FRONT GRILLE ASSY.
17	4023380	LOUVER
18	4023376	AIR FILTER (QTY 2)
19	4026846	SERVICE COVER ASSY.
20	2530605	SEALING PLATE (TOP)
21	2531835	REMOTE CONTROLLER
22	4025179	AIR FILTER ASSY. TITANIUM APATITE
141	2537987	PRINTED CIRCUIT BOARD (INV. DC) (M1)
141	2537988	PRINTED CIRCUIT BOARD (INV. DC) (M2)
141	2537989	PRINTED CIRCUIT BOARD (INV. DC) (M3)
142	4026855	WIRE HARNESS ASSY. (INV. DC)
143	4026843	INDOOR COIL SENSOR
144	2534614	IR RECEIVER BOARD
161	4026856	FRONT PANEL
1421	2537990	TERMINAL BLOCK

Expanded Model Nomenclature

M1 - CTX07AXVJU
M2 - CTX09AXVJU
M3 - CTX12AXVJU