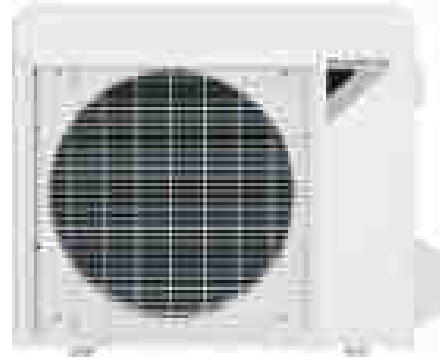


## 2MX\*\*AXVJU Outdoor Ductless Inverter

2MX18AXVJU



This manual is to be used by qualified technicians only.

# Important Information

---

## Index

Functional Parts List .....	3
Illustration and Parts .....	4 - 5

*Views shown are for parts illustrations only, not servicing procedures.*

### Text Codes:

AR - As Required

NA - Not Available

NS - Not Shown

00000000 - See Note

QTY - Quantity Example (QTY 3) (If Quantity not shown, Quantity = 1)

M - Model Example (M1) (If M Code not shown, then part is used on all Models)

### Expanded Model Nomenclature:

Example
M1 - Model#1
M2 - Model#2
M3 - Model#3

Daikin Manufacturing Company, L.P. is not responsible for personal injury or property damage resulting from improper service. Review all service information before beginning repairs.

Warranty service must be performed by an authorized technician, using authorized factory parts. If service is required after the warranty expires, Daikin Manufacturing Company, L.P. also recommends contacting an authorized technician and using authorized factory parts.

Daikin Manufacturing Company, L.P. reserves the right to discontinue, or change at any time, specifications or designs without notice or without incurring obligations.

For assistance within the U.S.A. contact:

Homeowner Support  
Daikin North America, LLC  
19001 Kermier Road  
Waller, Texas 77484  
855-770-5678-Telephone  
713-863-2382-Facsimile

For assistance outside the U.S.A. contact:

International Division  
Daikin North America, LLC  
19001 Kermier Road  
Waller, Texas 77484  
713-861-2500-Telephone  
713-863-2382-Facsimile

# Functional Parts

## Part

## No:

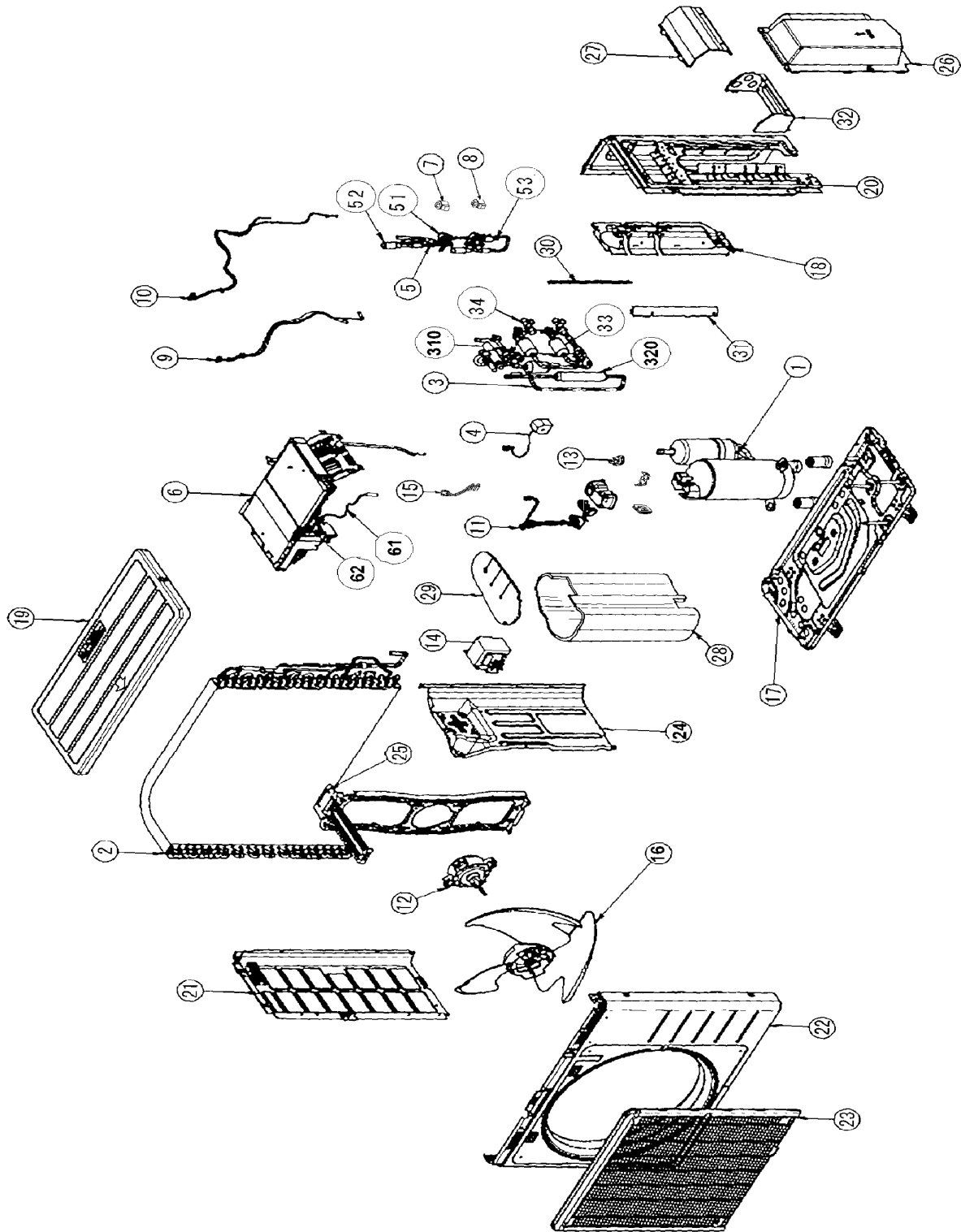
## Description:

---

2537959	BODY/ FOUR WAY VALVE
2537961	COIL/ FOUR WAY VALVE
1997260	COMPRESSOR ASSY.
2537965	CONTROL BOX ASSY.
2537970	FAN MOTOR
2537960	GAS STOP VALVE ASSY . (QTY 2)
4024721	OVERLOAD RELAY
2371537	REACTOR
4023154	THERMISTOR ASSY.
2537968	THERMISTOR ASSY. (GAS)
4023153	THERMISTOR ASSY. (LIQUID)

### Expanded Model Nomenclature

M1 - 2MX18AXVJU
-----------------



# 2MX18AXVJU

Ref. Part No:	Part No:	Description:	Ref. Part No:	Part No:	Description:
---------------	----------	--------------	---------------	----------	--------------

**Image 1:**

1	1997260	COMPRESSOR ASSY.
2	2537957	HEAT EXCHANGER
3	2537958	FOUR WAY VALVE ASSY. (PIPING)
4	2537961	COIL/ FOUR WAY VALVE
5	2537962	ELECTRONIC EXP. VALVE ASSY. (PIPING)
6	2537965	CONTROL BOX ASSY.
7	2537966	COIL/ ELECTRONIC EXP. VALVE
8	2537967	COIL/ ELECTRONIC EXP. VALVE
9	2537968	THERMISTOR ASSY. (GAS)
10	4023153	THERMISTOR ASSY. (LIQUID)
11	2537969	WIRE HARNESS (FOR COMP.)
12	2537970	FAN MOTOR
13	4024721	OVERLOAD RELAY
14	2371537	REACTOR
15	2371513	WIRE HARNESS (REACTOR)
16	4027037	PROPELLER FAN
17	2537971	BOTTOM FRAME ASSY.
18	2537972	STOP VALVE MOUNTING PLATE
19	4027040	TOP PANEL ASSY.
20	2537973	RIGHT SIDE PLATE
21	4027042	LEFT SIDE PLATE
22	4027043	FRONT PANEL ASSY.
23	2531554	DISCHARGE GRILLE ASSY.
24	2537974	PARTITION PLATE
25	4027047	FAN MOTOR BRACKET
26	2537975	STOP VALVE COVER
27	2537976	SERVICE COVER ASSY.
28	2537977	SOUND INSULATION (INNER)
29	2537978	SOUND INSULATION (TOP)
30	2537979	AUXILIARY PLATE
31	2537980	AUXILIARY PLATE 2
32	2537981	CONDUIT MOUNTING PLATE
33	4027028	MUFFLER (QTY 3)
34	2537960	GAS STOP VALVE ASSY. (QTY 2)
51	2537963	LIQUID STOP VALVE ASSY. (QTY 2)
52	2537964	BODY/ ELECTRONIC EXP. VALVE (QTY 2)
53	4025359	STRAINER
61	4023154	THERMISTOR ASSY.
62	NA	PRINTED CIRCUIT BOARD ASSY. (WITH EEPROM)
310	2537959	BODY/ FOUR WAY VALVE
320	4027027	MUFFLER

**Expanded Model Nomenclature**

M1 - 2MX18AXVJU
-----------------