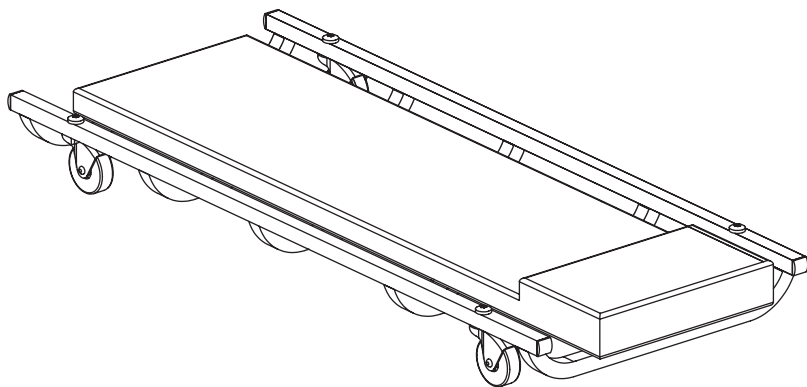




OWNER'S MANUAL

SHOP CREEPER

Item: TR6453



▲ WARNING!

Questions, problems, missing parts? Before returning to your retailer, call our customer service department at 1-888-44-TORIN (1-888-448-6746), 8 a.m.- 5 p.m., PST, Monday-Friday.

Read carefully and understand all ASSEMBLY AND OPERATION INSTRUCTIONS before operating. Failure to follow the safety rules and other basic safety precautions may result in serious personal injury.

IMPORTANT

Before You Begin Register This Product.

For future reference, record the model name, model number, date of manufacture and purchase date of this product. You can find this information on the product.

Model Name _____

Model Number _____

Date of Manufacture _____

Date of Purchase _____

OWNER / USER RESPONSIBILITY

DO NOT OPERATE OR REPAIR THIS PRODUCT WITHOUT READING THIS MANUAL.

Read and follow the safety instructions. Keep Instructions readily available for operators. Make certain all operators are properly trained and understand how to safely and correctly operate the product. By proceeding you agree that you fully understand and comprehend the full contents of this manual. Failure to operate this product as intended may cause injury or death. The manufacturer is not responsible for any damages or injury caused by improper use or neglect. Allow product operation only with all parts in place and operating safely. Use only genuine replacement parts. Service and maintain the product only with authorized or approved replacement parts; negligence will make the product unsafe for use and will void the warranty. Carefully inspect the product on a regular basis and perform all maintenance as required. Store these instructions in a protected dry location. Keep all decals on the product clean and visible. Do not modify and/or use for any application other than that for which this product was designed. If you have any questions relative to a particular application, DO NOT use the product until you have first contacted the distributor or manufacturer to determine if it can or should be performed on the product.

For technical questions please call 1-888-448-6746.

INTENDED USE

This device is designed to be as a mechanic's creeper. It is intended to be used to support and move, along a smooth and level surface, rated capacity loads consisting of a single person weighing no more than the capacity specified. This product is used for the purpose of performing automotive maintenance or service.

This device is not intended, designed or engineered to be used for any other purpose.

TECHNICAL SPECIFICATIONS

	Description
Item	TR6453
Capacity	250 lbs

GENERAL SAFETY RULES

- ⚠ **WARNING:** Read and understand all instructions. Failure to follow all instructions listed below may result in serious injury.
- ⚠ **CAUTION:** Do not allow persons to operate or assemble this product until they have read this manual and have developed a thorough understanding of how the product works.
- ⚠ **WARNING:** The warnings, cautions, and instructions discussed in this instruction manual cannot cover all possible conditions or situations that could occur. It must be understood by the operator that common sense and caution are factors that cannot be built into this product, but must be supplied by the operator.

GENERAL SAFETY RULES IMPORTANT SAFETY CONSIDERATIONS

USE AND CARE

Make certain that the operator thoroughly understands the inherent dangers associated with the use and misuse of the product. If any doubt exists as to the safe and proper use of this product, remove from service immediately.

- **Do not modify** the product in any way. Unauthorized modification may impair the function and/or safety and could affect the life of the equipment.
- **Always check of damaged or worn out parts before using the product.** Broken parts will affect the product operation. Replace or repair damaged or worn parts immediately.
- **Store idle.** When the product is not in use, store it in a secure place out of the reach of children. Inspect it for good working condition prior to storage and before re-use.
- **Not for use by children** or people with reduced mental capacity.
- **Do not use under the influence of drugs or alcohol.**
- **Ensure children and other bystanders are** kept at a safe distance when using product.
- Instructions and safety information shall be conveyed in the operator's native language before use of this product is authorized.

NOTE: Any creeper that appears damaged in any way, or operates abnormally shall be removed from service immediately. If the creeper has been subjected to a shock load (a load dropped suddenly, unexpectedly upon it), immediately discontinue use until repairs have been completed. It is recommended that weekly inspection be completed to check that product is in good working condition.

INSPECTION

- Inspect the product carefully before each use. Ensure the product is not damaged, excessively worn, or missing parts.
- Do not use the product unless it is properly lubricated.
- Using a product that is not in good clean working condition or properly lubricated may cause serious injury.
- Inspect the work area before each use. Make sure it is free and clear of any potential hazards.

SAFETY

DO NOT OPERATE OR REPAIR THIS EQUIPMENT WITHOUT READING THIS MANUAL.

To maintain the product and user safety, the responsibility of the owner is to read and follow these instructions.

- Inspect the product for proper operation and function.
- Keep instructions readily available for equipment operators.
- Make certain all equipment operators are properly trained; understand how to safely and correctly operate the unit.
- Allow unit operation only with all parts in place and operating properly.
- Use only genuine replacement parts.
- Service and maintain the unit only with authorized or approved replacement parts; negligence will make the product unsafe for use and void the warranty.
- Folding components can present pinch and crush hazards during use of this product. Exercise caution when performing adjustments and always be alert and sober
- Carefully inspect the unit on a regular basis and perform all maintenance as required.
- Store these instructions in a dry and clean environment that allows any user access to the manual before use.
- Keep all decals on the unit clean and visible.

⚠ CAUTION

Folding components can present pinch and crush hazards during use of this product. Exercise caution when performing adjustments and always be alert and sober while assembling and using this equipment.

⚠ SAFETY!

Always follow safety precautions when installing and operating this product. Keep all decals on the unit clean and visible. Before proceeding ensure that you fully understand and comprehend the full contents of this manual. Failure to operate this equipment as directed may cause injury or death. The distributor is not responsible for any damages or injury caused by improper use or neglect.

BEFORE PERFORMING ANY WORK ON A VEHICLE OR USING THIS PRODUCT;

Always use Jack Stands!

DO NOT USE wood blocks or any other non-approved load sustaining devices. The manufacturer only warrants loads to be sustained by jack stands that meet current ASME standards.

DO NOT USE wood blocks or any other non-approved lifting devices for a means of lifting with a jack and or load being raised. Failure to heed these warnings may cause injury or death.

SAFETY MARKINGS

⚠ WARNING!

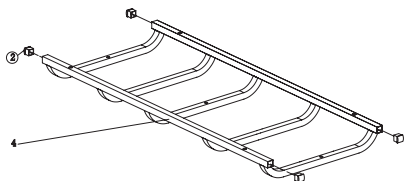
1. Study, understand, and follow all instructions before operating this device.
2. Do not exceed rated capacity. (includes user, tools, equipment and personal items).
3. Use only on hard, level surfaces, with less than 3 degrees of slope.
4. Do use as a dolly.
5. Sit down gently! Avoid shock loads caused by jumping or falling onto product.
6. Do not stand on product.
7. Beware of pinch and crush hazards when folding and unfolding.
8. Keep out of the reach of children! This device is not appropriate for children's use.
9. Do not use product unless vehicle is properly secured.
10. Only attachments and/or adapters supplied by the manufacturer shall be used.
11. Do not allow anyone under a vehicle that is being repaired, until the vehicle has been properly supported by jack stands.
12. Use wheel chocks or other blocking devices on opposing wheels before performing work on a vehicle.
13. No alterations shall be made to this product.
14. Do not use this product for any use other than the manufacturer specified usage.
15. Failure to heed these markings may result in personal injury and/or property damage.

PREPARATION

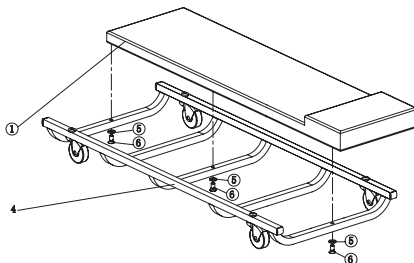
Before assembling Creeper, make sure all parts are present. Compare parts with package contents list. If any part is missing or damaged, do not attempt to assemble, install or operate the product. Contact customer service for replacement parts.

ASSEMBLY

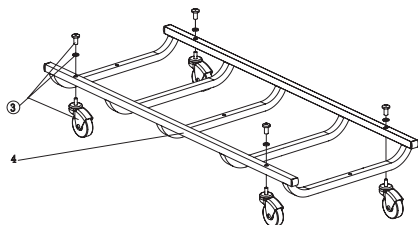
1. Knock the plastic end caps (NO.2) into the holes of the metal frame base (NO.4).



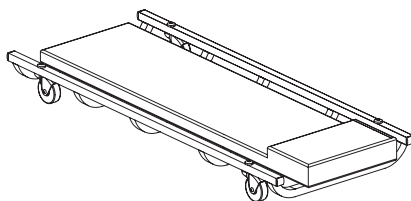
3. Attach the vinyl pad (NO.1) to the metal frame base (NO.4) with the washers (NO.5) and the screws (NO.6).



2. Attach the six caster assemblies (NO.3) to the metal frame base (NO.4)



4. Assembly is now complete.



BEFORE USE

1. Before using this product, read the owner's manual completely and familiarize yourself thoroughly with the product and the hazards associated with its improper use.
2. Check and that the product operates smoothly before putting into service.
3. Inspect before each use. Do not use if bent, broken or cracked components are noted.

MAINTENANCE INSTRUCTIONS

If you use and maintain your equipment properly, it will give you many years of service. Follow the maintenance instructions carefully to keep your equipment in good working condition. Never perform any maintenance on the equipment while it is under a load.

Inspection

You should inspect the product for damage, wear, broken or missing parts (e.g.: pins) and that all components function before each use. Follow lubrication and storage instructions for optimum product performance.

Binding

If the product binds while under a load, stop use immediately and repair faulty parts. After un-binding; clean, lubricate and test that equipment is working properly. Rusty components, dirt, or worn parts can be causes of binding. Clean and lubricate the equipment as indicated in the lubrication section. Test the equipment without a load. If the binding continues contact Customer Service.

Cleaning

If the moving parts of the equipment are obstructed, use cleaning solvent or another good de-greaser to clean the equipment. Remove any existing rust, with a penetrating lubricant.

Lubrication

This equipment will not operate safely without proper lubrication. Using the equipment without proper lubrication will result in poor performance and damage to the equipment. Some parts in this equipment are not self-lubricating inspect the equipment before use and lubricate when necessary. After cleaning, lubricate the equipment using light penetrating oil, lubricating spray.

- Use a good lubricant on all moving parts.
- For light duty use lubrication once a month.
- For heavy and constant use lubrication recommended every week.
- NEVER USE SANDPAPER OR ABRASIVE MATERIAL ON THESE SURFACES!

Rust Prevention:

Check cylinders assemblies daily for any signs of rust or corrosion.

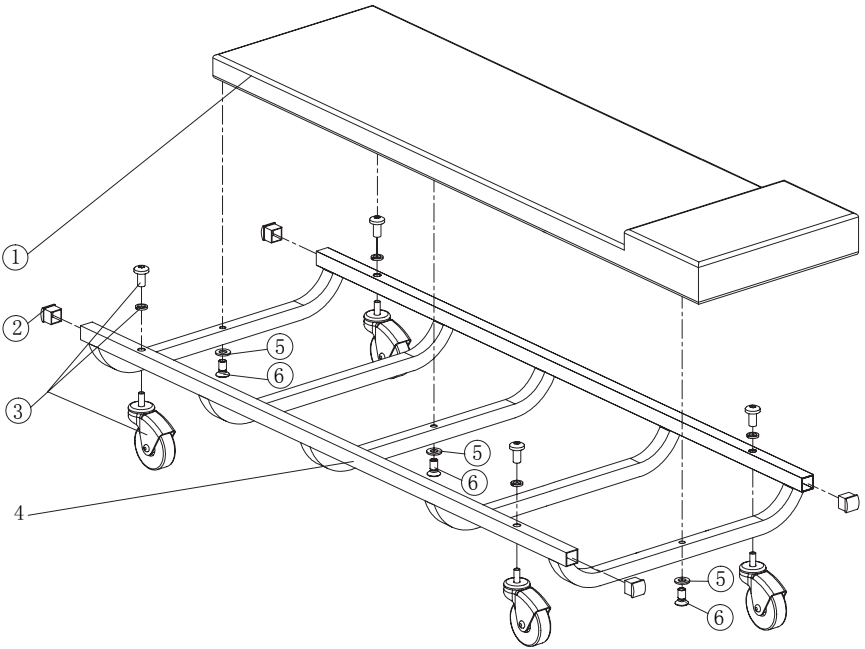
Without a load on the equipment raise cylinder as high as it will go and look under and behind the lifting points. If signs of rust are visible clean as needed.

Storing the Product

1. Store in a dry location, recommended indoors.

Note: *If the product is stored outdoors, be sure to lubricate all moving parts before and after use to ensure the product stays in good working condition.*

ASSEMBLY DIAGRAM



REF#	PART #	DESCRIPTION	QTY
1	TR6451.1	Vinyl pad	1
2	TR6452-1	Plastic end cap	4
3	TR6452.1	Caster assembly	4
4		Metal frame base	1
5	GB97.1-6	Washer M6	3
6	GB818-M6x35	Cross-recess screw M6x35mm	3

Safe Operating Temperature is between 40°F – 105°F (4°C - 41°C)

WARRANTY NOTICE

This equipment is covered under a 1-year limited warranty when used as recommended. Only those items listed with a Part # are available for purchase. For assistance with the operation or the availability of replacement parts, contact our Parts and Warranty Department at 1-888-44-TORIN (1-888-448-6746). Please have available a copy of your receipt, the model number of the product, serial number, and specific details regarding your question.

Not all equipment components are available for replacement; illustrations provided are a convenient reference of location and position in the assembly sequence.

The manufacturer reserves the rights to make design changes and or improvements to product lines and manuals without notice.

WARRANTY INFORMATION

We want to know If you have any concerns with our products. If so, please call toll-free for Immediate assistance. For additional web customer support help inquiries visit the Customer Service section at: <http://www.torin-usa.com>.

TORIN ONE YEAR LIMITED WARRANTY

Torin Inc.® has been producing quality automotive repair and maintenance products since 1968. All products sold are felt to be of the highest quality and are covered by the following warranty:

With proof of purchase for a period of one year from the date of that purchase, the manufacturer will repair or replace, at its discretion, without charge, any of its products or parts thereof which fail due to a defect in material or workmanship. This warranty does not cover damage or defects caused by improper use, careless use or abuse of the equipment. This warranty does not cover parts normally considered to wear out or be consumed in the normal operation of the equipment. Except where such limitations and exclusions are specifically prohibited by applicable law. (1) the CONSUMERS SOLE AND EXCLUSIVE REMEDY SHALL BE THE REPAIR OR REPLACEMENT OF DEFECTIVE PRODUCTS AS DESCRIBED ABOVE, and (2) THE MANUFACTURER SHALL NOT BE LIABLE FOR ANY CONSEQUENTIAL OR INCIDENTAL DAMAGE OR LOSS WHATSOEVER, and (3) THE DURATION OF ANY AND ALL EXPRESSED AND IMPLIED WARRANTIES, INCLUDING, WITHOUT LIMITATION, ANY WARRANTIES OF MERCHANTABILITY AND FITNESS FOR A PARTICULAR PURPOSE, IS LIMITED TO A PERIOD OF ONE YEAR FROM DATE OF PURCHASE. Product alteration in any manner by anyone other than us, with the sole exception of alterations made pursuant to product instructions and in a workman like manner. You acknowledge and agree that any use of the product for any purpose other than the specified use(s) stated in the product instructions is at Your own risk.

Always check for damaged or worn out parts before using any product. Broken parts will affect the equipment operation. Replace or repair damaged or worn parts immediately. Do not modify the product in any way. Unauthorized modification may impair the function and/or safety and could affect the life of the equipment. There are specific applications for which products are designed and tested during production. Manufacturer provided warranted items are not authorized to be repaired by anyone other than the manufacturer or manufacture approved repair person. Distributor does not have authorization to amend these statements. You acknowledge and agree that any modification of the product for any purpose other than manufacturer completed repairs is at your own risk. Before using this product, read the owner's manual completely and familiarize yourself thoroughly with the product and the hazards associated with its improper use. IMPORTANT: BEFORE FIRST USE on any Lift verify that a daily inspection has been completed and that all components are in the proper working order.

This limited warranty gives you specific legal rights, and you also may have other rights, which vary from state to state. Some states do not allow limitations or exclusions on implied warranties or incidental or consequential damages, so the above limitations may not apply to You. This limited warranty is governed by the laws of the State of California, without regard to rules pertaining to conflicts of law. The state courts located in San Bernardino County, California shall have exclusive jurisdiction for any disputes relating to this warranty.

Manufacturer reserves the rights to make design changes and or improvements to this product lines and manual without notice. We at Torin have taken every effort to ensure complete and accurate instructions have been included in this manual. However, possible product updates, revisions and or changes may have occurred since this printing. Torin Inc. reserves the right to change specifications without incurring any obligation for equipment previously or subsequently sold. Not responsible for typographical errors. Alternately Customer Service can be reached through www.torin-usa.com or via email at info@torin-usa.com.

Not all equipment components are available for replacement, but are illustrated as a convenient reference of location and position in the assembly sequence. Contact Customer Service for equivalent component. When you contact us, please have your Product's Model number, Serial Number and Description ready so that we may help you efficiently. This information can be found on a sticker on the product. For any warranty support or if your Torin® equipment is not functioning properly contact Torin® Customer Service directly by telephone at 1-888-44-TORIN (1-888-448-6746) 8:00am – 5:00pm Pacific Time, Monday – Friday

www.torin-usa.com

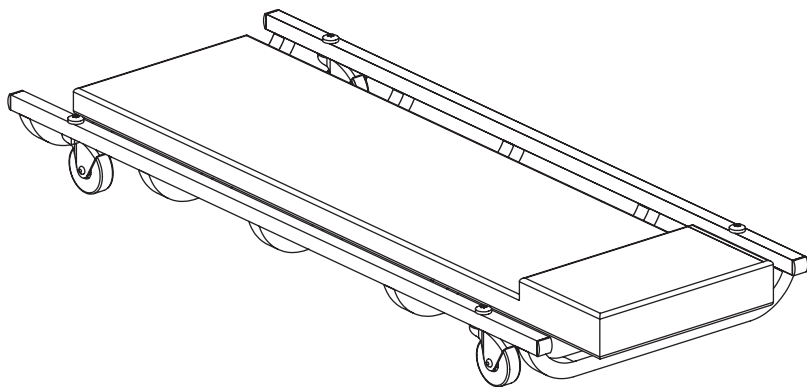
Made in China



MANUEL DU PROPRIÉTAIRE

SOMMIER ROULANT

Article No. TR6453



▲ AVERTISSEMENT!

Questions, problèmes, pièces manquantes? Avant de retourner voir votre fournisseur, appelez notre service à la clientèle au 1-888-44-TORIN (1-888-448-6746) entre 8 heures et 17 heures, HNP, du lundi au vendredi.

Lisez attentivement et comprenez toutes les DIRECTIVES DE MONTAGE ET DE FONCTIONNEMENT avant l'utilisation. Vous pouvez subir des blessures graves si vous ne vous conformez pas à ces règles et autres précautions de sécurité.

IMPORTANT

Avant de commencer, enregistrez ce produit.

Pour référence future, enregistrez le nom de modèle, le numéro, la date de fabrication et la date d'achat du produit. Vous pouvez trouver ces renseignements sur le produit.

Nom de modèle _____

Numéro de modèle _____

Date de fabrication _____

Date d'achat _____

RESPONSABILITÉ DU PROPRIÉTAIRE OU DE L'UTILISATEUR

NE PAS UTILISER OU RÉPARER CE PRODUIT SANS AVOIR LU LE PRÉSENT MANUEL.

Lisez et suivez les directives de sécurité. Conservez ces directives à la disponibilité des opérateurs. Assurez-vous que tous les opérateurs sont bien formés et savent comment utiliser le produit correctement et en toute sécurité. En continuant, vous convenez que vous comprenez complètement le contenu du présent manuel. Le produit peut causer des blessures ou provoquer la mort si vous n'utilisez pas le produit dans le but pour lequel il a été conçu. Le fabricant n'est pas responsable des dommages ou blessures provoqués par une utilisation inappropriée ou par négligence. Ne faites fonctionner le produit que si toutes les pièces sont en place et fonctionnent de manière sécuritaire. N'utilisez que des pièces de rechange authentiques. Effectuez l'entretien de ce produit uniquement avec des pièces de rechange autorisées ou approuvées; la négligence rendra l'utilisation du produit dangereuse et annulera la garantie. Inspectez régulièrement et avec soin le produit et effectuez tout l'entretien nécessaire. Conservez ces directives dans un endroit protégé sec. Conservez propres et visibles tous les autocollants sur le produit. Ne modifiez pas ou n'utilisez pas le produit pour une application autre que celle pour laquelle il a été conçu. Pour toute question relative à une application particulière, N'utilisez PAS le produit avant d'avoir communiqué avec le distributeur ou le fabricant afin de déterminer si cela peut se faire.

Pour toutes questions d'ordre technique, appelez au 1-888-44-TORIN (1-888-448-6746).

UTILISATION PRÉVUE

Ce dispositif est conçu pour être utilisée comme tabouret pour mécanicien. Il a été conçu afin d'être utilisé pour supporter et bouger, tout au long une surface lisse et plate, des capacités de charge prévues d'une seule personne pesant pas plus que la capacité spécifiée. Ce produit est utilisé pendant la réparation ou l'entretien des automobiles.

Il n'a pas été conçu ou destiné pour être utilisé à d'autres fins

SPÉCIFICATIONS TECHNIQUES

	Description
Article No.	TR6453
Capacité	250 lbs

CONSIGNES GÉNÉRALES DE SÉCURITÉ

- ⚠ AVERTISSEMENT** : Lisez et comprenez toutes les directives. Il peut se produire des blessures graves si vous ne suivez pas toutes les directives ci-dessous.
- ⚠ MISE EN GARDE** : Ne permettez à personne d'utiliser ou d'assembler ce produit avant d'avoir lu le manuel et d'avoir bien compris le fonctionnement du produit.
- ⚠ AVERTISSEMENT** : Les avertissements, mises en garde et directives mentionnés dans le présent manuel d'instruction ne peuvent pas couvrir toutes les conditions ou situations qui peuvent se produire. L'opérateur doit comprendre que le simple bon sens et la prudence sont des facteurs qui ne peuvent pas se trouver dans ce produit, mais que l'opérateur doit y suppléer.

CONSIGNES GÉNÉRALES DE SÉCURITÉ FACTEURS DE SÉCURITÉ IMPORTANTS

UTILISATION ET ENTRETIEN

- Assurez-vous que l'opérateur comprend complètement les dangers inhérents associés avec l'utilisation et le mauvais emploi du produit. Si un doute subsiste quant à l'utilisation sûre et correcte de ce produit, retirez-le immédiatement du service.
- Ne modifiez absolument pas le produit. Toute modification non autorisée pourrait dégrader le fonctionnement et/ou la sécurité et pourrait nuire à la durée de vie de l'équipement.
 - Avant d'utiliser le produit, vérifiez toujours pour vous assurer que les pièces ne soient pas endommagées ou usées. Les pièces brisées auront une incidence sur le fonctionnement du produit. Remplacez ou réparez immédiatement toute pièce endommagée ou usée.
 - Rangez quand il n'est pas utilisé. Lorsque le produit n'est pas utilisé, rangez-le dans un endroit sûr hors de la portée des enfants. Vérifiez qu'il soit en bon état de fonctionnement avant de le ranger et avant de le réutiliser.
 - À ne pas être utilisé par des enfants ou par des personnes avec une capacité intellectuelle réduite.
 - Ne l'utilisez pas sous l'influence de drogues ou d'alcool.
 - Assurez-vous que les enfants et d'autres spectateurs soient à une distance de sécurité pendant le fonctionnement.
 - Les instructions et les consignes de sécurité doivent être exprimées dans la langue maternelle de l'opérateur avant que l'utilisation de ce dispositif ne soit autorisée.

REMARQUE: *Si le tabouret semble en quelque sorte endommagé ou s'il ne fonctionne pas normalement, il doit être retiré immédiatement du service. Si le tabouret a été soumis à une charge de choc (une charge est soudainement tombée de façon inattendue sur lui), arrêtez immédiatement de l'utiliser jusqu'à ce qu'il soit complètement réparé. Il est recommandé de faire des inspections hebdomadaires afin de vérifier que le produit soit toujours en bon état de fonctionnement.*

INSPECTION

- Examinez le produit soigneusement avant chaque usage. Assurez-vous que le produit ne soit pas endommagé, avec une usure excessive, ou qu'il y ait des pièces manquantes.
- N'utilisez pas le produit à moins qu'il soit bien lubrifié.
- L'utilisation d'un produit qui n'est pas propre et en bon état de fonctionnement ou bien lubrifié peut entraîner des blessures graves.
- Examinez la zone de travail avant chaque usage. Assurez-vous qu'il n'y ait aucun danger potentiel.

SECURITÉ!

N'UTILISEZ NI RÉPAREZ PAS CET ÉQUIPEMENT AVANT DE LIRE CE MANUEL.

Afin de maintenir le produit et d'assurer la sécurité de l'utilisateur, la responsabilité du propriétaire est à lire et à suivre ces instructions.

- Inspectez le produit pour vous en assurer un bon fonctionnement et utilisation.
- Conservez les instructions facilement accessibles pour les opérateurs de l'équipement.
- Assurez-vous que tous les opérateurs de l'équipe soient correctement formés et qu'ils comprennent comment utiliser le produit correctement et en toute sécurité.
- Permettez le fonctionnement de l'appareil uniquement avec toutes les parties en place et fonctionnant en toute sécurité.
- N'utilisez que des pièces de remplacement authentiques.
- Entretenez et maintenez l'unité uniquement avec des pièces de rechange autorisées ou approuvées ; la négligence fera que le produit devienne dangereux et annulera la garantie.
- Les éléments pliables peuvent présenter des dangers de pincement et d'écrasement lors de l'utilisation de ce produit. Soyez prudent lorsque vous effectuez des réglages et soyez toujours vigilant et sobre.
- Inspectez soigneusement l'appareil régulièrement et effectuez tout l'entretien au besoin.
- Conservez ces instructions dans un endroit sec et propre qui permettra à tout utilisateur d'avoir accès au manuel avant l'utilisation.
- Assurez-vous que tous les autocollants sur l'appareil soient propres et visibles.

▲ REMARQUES

Les éléments pliables peuvent présenter des dangers de pincement et d'écrasement lors de l'utilisation de ce produit. Soyez prudent lorsque vous effectuez des réglages et soyez toujours vigilant et sobre lorsque vous montez et utilisez cet équipement

▲ SECURITÉ!

Agissez toujours conformément aux mesures de sécurité lors de l'installation et du fonctionnement de ce produit. Assurez-vous que tous les autocollants sur l'appareil soient propres et visibles. Avant de continuer, assurez-vous que vous comprenez et saisissez parfaitement la totalité de ce manuel. Si l'équipement n'est pas utilisé comme indiqué dans le manuel, il peut entraîner la mort ou des blessures. Le distributeur n'est pas responsable des dommages ou des blessures provoqués par une mauvaise utilisation ou une négligence.

AVANT TOUT TRAVAIL SUR UN VÉHICULE OU TOUT EMPLOI DU PRODUIT:

Utilisez toujours des chandelles!

N'UTILISEZ PAS de blocs de bois ou d'autres dispositifs de support de charge non approuvés. Le fabricant garantit seulement le support des charges par les chandelles qui répondent aux normes actuelles de l'ASME.

N'UTILISEZ PAS de blocs de bois ou d'autres dispositifs de levage non approuvés afin de lever quelque chose avec le cric ou pour soulever une charge. Ne pas tenir compte de ces avertissements peut entraîner des blessures ou même la mort.

MARQUAGES DE SÉCURITÉ

▲ AVERTISSEMENT!

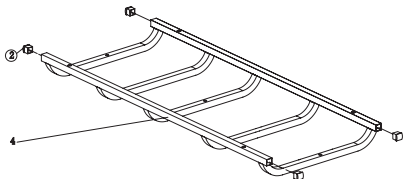
1. Étudiez, comprenez et suivez toutes les instructions avant de faire fonctionner cet appareil.
2. Ne dépassez pas la puissance nominale. (y compris utilisateur, outils, équipement et objets personnels).
3. Utilisez seulement sur des surfaces dures et plates, avec moins de 3 degrés d'inclinaison.
4. N'utilisez pas comme chariot.
5. Asseyez-vous doucement. Évitez la charge de choc provoquée lorsqu'on saute ou l'on se laisse tomber sur le produit.
6. Ne vous mettez pas debout sur le produit.
7. Faites attention à ne pas vous pincer ou recevoir un coup lorsque vous pliez ou dépliez le siège.
8. Gardez-le hors de la portée des enfants! Cet engin n'est pas fait pour être utilisé par les enfants.
9. N'utilisez pas le produit à moins que le véhicule soit bien fixé.
10. Utilisez seulement des accessoires et/ou des adaptateurs fournis par le fabricant.
11. Ne permettez à personne de rester sous le véhicule en train d'être réparé jusqu'à ce qu'il soit correctement soutenu par des chandelles.
12. Utilisez des cales de roue ou d'autres dispositifs de blocage pour les roues opposées avant de travailler sur un véhicule.
13. Aucune modification ne pourra être apportée à ce produit.
14. N'utilisez pas ce produit à toute autre fin qui ne soit pas celle pour laquelle il a été conçu.
15. Ne pas tenir compte de ces marquages peut entraîner des blessures et/ou des dommages matériels.

PRÉPARATION

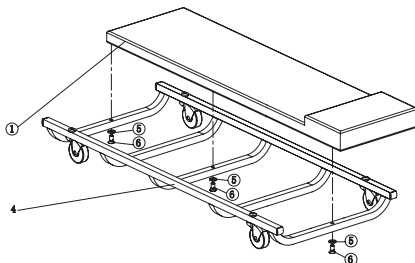
Avant l'assemblage, assurez-vous que vous avez toutes les parties du tabouret à votre disposition. Comparez les parties avec la liste de contenu de l'emballage. En cas de pièces manquantes ou endommagées, ne tentez pas d'assembler, d'installer ou d'utiliser le produit. Pour les pièces de remplacement, contactez le service à la clientèle.

MONTAGE

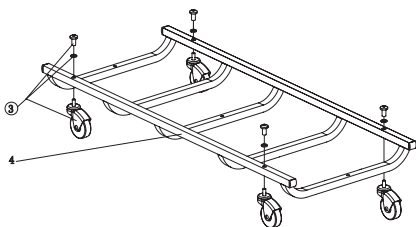
1. Enfoncez les caches en plastique (NO.2) dans les trous du châssis de base en métal (NO.4).



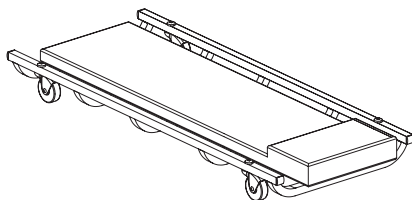
3. Attachez le matelas en vinyle (NO.1) au châssis de base en métal (NO.4) avec les rondelles (NO.5) et les vis (NO.6).



2. Attachez les six assemblages de la roulette (NO.3) au châssis de base en métal (NO.4).



4. El ensamblaje se ha completado.



AVANT L'UTILISATION

1. Avant d'utiliser ce produit, lisez le Guide d'Utilisation complètement et familiarisez-vous en profondeur avec le produit et identifiez les dangers potentiels associés à sa mauvaise utilisation.
2. Assurez-vous que le produit fonctionne correctement avant sa mise en service.
3. Examinez-le avant chaque usage. Ne l'utilisez pas si vous remarquez qu'il y a des pièces pliées, cassées ou endommagées.

INSTRUCTIONS D'ENTRETIEN

Si vous utilisez et effectuez bien l'entretien de votre équipement, il vous rendra service pendant de nombreuses années. Suivez attentivement les directives d'entretien pour conserver votre équipement en bon état de fonctionnement. N'effectuez jamais d'entretien sur l'équipement pendant qu'il est sous charge.

Inspection

Vous devez inspecter le produit pour tout dommage, usure, pièces brisées ou manquantes (par ex. les goupilles) et vérifier que tous les composants fonctionnent avant chaque utilisation. Suivez les directives de lubrification et de rangement pour obtenir une performance optimale.

Grippage

Si le produit grippe lorsqu'il est sous charge, utilisez un équipement possédant une charge nominale égale ou supérieure pour abaisser sans danger la charge au sol. Après le dégrillage, nettoyez, lubrifiez et faites l'essai de l'équipement pour voir s'il fonctionne bien. Les composants rouillés, la saleté ou des pièces usées peuvent provoquer le grippage. Nettoyez et lubrifiez l'équipement selon les directives de la section de lubrification. Faites l'essai de l'équipement en soulevant sans charge. Si le grippage continue, communiquez avec le Service à la clientèle.

Nettoyage

Si les pièces mobiles de l'équipement sont colmatées, utilisez un solvant de nettoyage ou un autre bon agent de dégraissage pour nettoyer l'équipement. Enlevez la rouille existante à l'aide d'une huile pénétrante.

GRAISSAGE

Cet équipement ne fonctionne pas sans une lubrification appropriée. L'utilisation de l'équipement sans lubrification appropriée offre une performance réduite et cause des dommages à l'équipement. Certaines pièces d'équipement ne sont pas autolubrifiées; inspectez donc l'équipement avant de l'utiliser et lubrifiez-le au besoin. Après un nettoyage, lubrifiez l'équipement à l'aide d'une huile pénétrante légère ou d'une vaporisation d'huile.

- Utilisez un bon lubrifiant sur toutes les pièces mobiles.
- Dans le cas d'un usage léger, il faut lubrifier une fois par mois.
- Dans le cas d'un usage constant et intense, il est recommandé de lubrifier toutes les semaines.
- N'UTILISEZ JAMAIS DE PAIER VERRE OU DE MATÉRIAU ABRASIF SUR CES SURFACES!

Prévention de la rouille :

Vérifiez tous les jours les poussoirs et les pistons de pompe sur le mécanisme de levage pour y découvrir tout signe de rouille ou de corrosion.

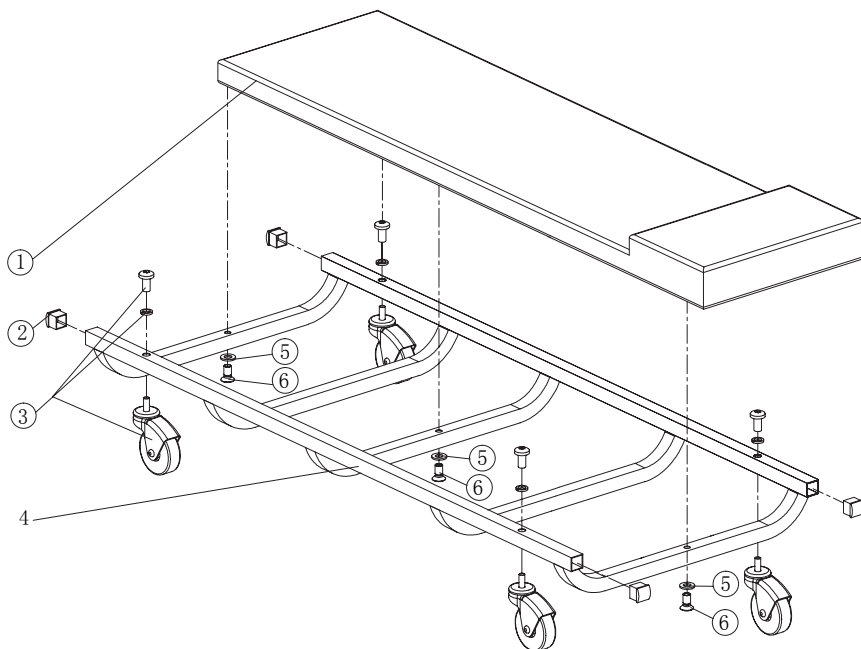
Sans charge, soulevez l'équipement aussi haut que possible et examinez le dessous et l'arrière des points de levage. S'il y a des signes de rouille, nettoyez au besoin.

Rangement du Produit

Rangez-le dans un endroit sec, plutôt à l'intérieur.

Remarque: Si le produit est rangé à l'extérieur, assurez-vous de lubrifier toutes ses parties mouvantes avant et après l'usage pour vous assurer que le produit soit toujours en bon état de fonctionnement.

SCHÉMA DE MONTAGE



RÉF n°	PARTIE n°	DESCRIPTION	QUANTITÉ
1	TR6451.1	Matelas en vinyle	1
2	TR6452-1	Cache en plastique	4
3	TR6452.1	Assemblage de la roulette	4
4		Châssis de base en métal	1
5	GB97.1-6	Rondelle M6	3
6	GB818-M6x35	Vis à empreinte cruciforme M6x35mm	3

La température de fonctionnement sécuritaire se situe entre 4°C et 41°C (40°F et 105°F)

GARANTIE

Ce équipement est couvert par une garantie limitée d'un (1) an lorsqu'il est utilisé conformément aux recommandations. Seuls ces articles énumérés à l'aide d'un numéro de pièce sont disponibles pour achat. Pour obtenir de l'aide quant au fonctionnement ou à la disponibilité des pièces de rechange, communiquez avec notre Service des pièces et de garantie au 1-888-44-TORIN (1-888-448-6746). Ayez en main une copie de votre reçu, le numéro de modèle du produit, son numéro de série ainsi que des détails particuliers concernant votre question.

Ce ne sont pas tous les composants qui sont disponibles pour remplacement; les illustrations fournies offrent une référence commode quant à leur emplacement et à leur position dans la séquence de montage.

Le fabricant se réserve le droit de modifier la conception du produit ou d'apporter sans préavis des améliorations aux gammes de produits et aux manuels.

INFORMATION RELATIVE À LA GARANTIE

Nous voulons savoir si nos produits vous posent des inquiétudes. Dans ce cas, appelez le numéro sans frais pour obtenir une aide immédiate. Pour toutes questions supplémentaires visant le service à la clientèle sur le Web, visitez la section du Service à la clientèle à l'adresse : <http://www.torin-usa.com>.

GARANTIE LIMITÉE D'UN AN DE TORIN

Torin Inc.® fabrique des produits de réparation et d'entretien automobile de qualité depuis 1968. Tous les produits vendus sont de la meilleure qualité et sont couverts par la garantie suivante: Pendant un an à compter de la date d'achat et accompagné de la preuve d'achat, le fabricant réparera ou remplacera, à sa discrétion et sans frais, l'un de ses produits ou pièces endommagées qui est devenue défectueuse à la suite d'un défaut de matériau ou de main-d'œuvre. La garantie ne couvre pas les dommages ou défauts provoqués par une utilisation inappropriée, une utilisation négligente ou abusive de l'équipement. La garantie ne couvre pas les pièces qui peuvent normalement s'user ou être consommées pendant l'utilisation normale de l'équipement. Sauf lorsque des limitations et exclusions sont interdites spécifiquement par la loi applicable, le (1) SEUL ET EXCLUSIF RECOURS DU CONSOMMATEUR SERA LA RÉPARATION OU LE REMPLACEMENT DU PRODUIT DÉFECTUEUX DÉCRIT CI-DESSUS et (2) LE FABRICANT NE SERA EN AUCUN CAS RESPONSABLE DE DOMMAGES INDIRECTS OU CONSÉCUTIFS OU DE TOUTE PERTE et (3) LA DURÉE DE TOUTES GARANTIES ÉCRITES OU IMPLICITES, Y COMPRIS, SANS S'Y LIMITER, TOUTES GARANTIES DE COMMERCIALITÉ ET D'APTITUDE À UN BUT PARTICULIER, EST LIMITÉE À UNE PÉRIODE D'UN AN À COMPTER DE LA DATE D'ACHAT. La modification du produit de quelque façon que ce soit par un tiers autre que nous, à la seule exception de modifications effectuées en conformité de directives relatives au produit et d'une façon adaptée. Vous reconnaissez et convenez que toute utilisation du produit dans un but autre que l'emploi spécifié et énoncé dans les directives relatives au produit se fait à vos propres risques.

Vérifiez toujours s'il y a des pièces endommagées ou usées avant d'utiliser tout produit. Des pièces brisées influenceront sur le fonctionnement de l'équipement. Remplacez et réparez immédiatement les pièces endommagées ou usées. Ne modifiez d'aucune façon le produit. Une modification non autorisée peut nuire au fonctionnement ou à la sécurité et peut influencer sur la durée de vie de l'équipement. Il existe des applications particulières pour lesquelles ce produit est conçu et testé en cours de production. Les articles garantis et fournis par le fabricant ne doivent pas être réparés par un autre que le fabricant ou un réparateur agréé par le fabricant. Le distributeur n'est pas autorisé à modifier ces énoncés. Vous reconnaissez et convenez que toute modification du produit dans un but autre que les réparations effectuées par le fabricant se fait à vos propres risques. Avant d'utiliser ce produit, lisez entièrement le manuel du propriétaire et familiarisez-vous complètement avec le produit et les dangers qui se rapportent à son utilisation inappropriée. **IMPORTANT: AVANT LA PREMIÈRE UTILISATION** sur tout appareil de lavage, vérifiez si la vérification quotidienne a été effectuée et que tous les composants sont en bon ordre.

La présente garantie limitée vous donne des droits précis et vous pouvez aussi avoir d'autres droits qui peuvent varier d'état en état. Certains états ne permettent pas de limitations ou d'exclusions sur les garanties implicites ou de dommages directs ou consécutifs; les limitations précédentes peuvent donc ne pas s'appliquer à votre cas. La garantie limitée est régie par les lois de l'état de Californie, sans égard aux règles relatives aux conflits juridiques. Les tribunaux d'état situés dans San Bernardino County en Californie auront la compétence exclusive en ce qui a trait à tout différend relatif à la présente garantie.

Le fabricant se réserve le droit d'effectuer sans préavis des modifications de conception ou des améliorations à cette gamme de produits ainsi qu'au manuel. Torin fera tous les efforts pour que des instructions complètes et exactes soient incluses dans le présent manuel. Cependant, il est possible que des mises à jour, des révisions ou des changements aient eu lieu depuis la présente impression. Torin Inc. se réserve le droit de modifier les spécifications sans encourir d'obligation envers l'équipement vendu antérieurement ou subséquentement. Les erreurs typographiques ne sont pas de la responsabilité du fabricant.

Par contre, il est possible de joindre le service à la clientèle à l'adresse www.torin-usa.com ou par courriel à info@torin-usa.com.

Ce ne sont pas tous les composants d'équipement qui sont disponibles pour remplacement, mais ils sont illustrés comme référence commode quant à leur emplacement et montage dans la séquence d'assemblage. Communiquez avec le service à la clientèle pour un composant équivalent. Lorsque vous communiquez avec nous, ayez sous la main le numéro de modèle du produit, le numéro de série et une description pour que nous puissions vous aider efficacement. Cette information se trouve sur un autocollant sur le produit.

Pour tout soutien quant à la garantie ou si votre équipement Torin® fonctionne mal, communiquez directement avec le Service à la clientèle Torin® au 1-888-44-TORIN (1-888-448-6746)

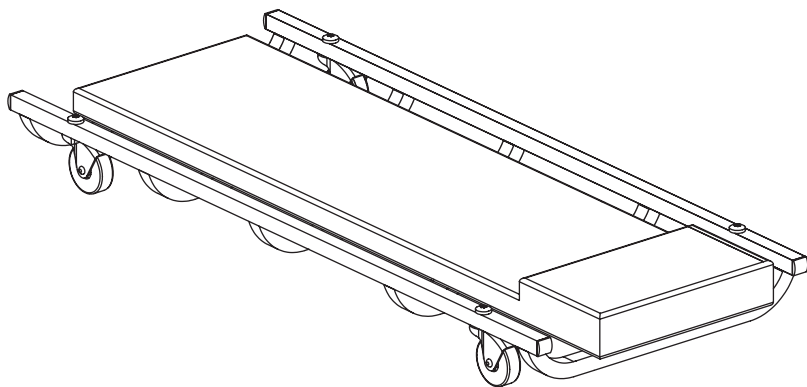
de 8 heures à 17 heures, heure du Pacifique, du lundi au vendredi



MANUAL DEL PROPIETARIO

CAMA DE TALLER

Elemento: TR6453



⚠ ADVERTENCIA!

¿Alguna pregunta o problema? ¿Le faltan piezas? Antes de recurrir a su distribuidor, llame a nuestro departamento de atención al cliente al 1-888-44-TORIN (1-888-448-6746) de lunes a viernes de 8 a. m. a 5 p. m. Horas del Pacífico.

Lea atentamente y entienda todas las INSTRUCCIONES DE ENSAMBLAJE Y OPERACIÓN antes de utilizar el producto. Si no respeta las normas de seguridad y otras precauciones básicas de seguridad, pueden producirse lesiones personales graves.

IMPORTANTE

Antes de empezar, registre este producto.

Como referencia para el futuro, registre el nombre del modelo, el número del modelo, la fecha de fabricación y la fecha de compra de este producto. Puede encontrar esta información en el producto.

Nombre del modelo _____

Número del modelo _____

Fecha de fabricación _____

Fecha de compra _____

RESPONSABILIDAD DEL PROPIETARIO/USUARIO

NO UTILICE NI REPARE EL PRODUCTO SIN HABER LEÍDO ESTE MANUAL.

Lea y siga las instrucciones de seguridad. Ponga las instrucciones a disposición inmediata de los operadores. Asegúrese de que todos los operadores reciban el entrenamiento correspondiente y de que entiendan cómo utilizar el producto de forma segura y correcta. Al proceder, usted acepta que ha entendido y ha comprendido completamente la totalidad del contenido de este manual. Si no utiliza el producto correctamente, pueden producirse lesiones o la muerte. El fabricante no se hace responsable de ningún daño o lesión causados por uso inadecuado o negligencia. Utilice el producto solamente cuando todas las piezas estén en su lugar y funcionen de forma segura. Utilice solo piezas de repuesto originales. Realice una revisión y un mantenimiento del producto solo con las piezas de repuesto autorizadas o aprobadas; si se comete negligencia, no será seguro utilizar el producto y la garantía quedará anulada. Inspeccione cuidadosamente el producto con regularidad y realice todo mantenimiento que sea necesario. Guarde estas instrucciones en un lugar seco y protegido. Mantenga todas las calcomanías del producto limpias y visibles. No modifique el producto ni lo utilice para ninguna aplicación distinta a la que fue diseñado. Si tiene preguntas relacionadas a una aplicación en particular, NO utilice el producto hasta haberse contactado con el distribuidor o fabricante primero para determinar si dicha aplicación puede o debe realizarse en el producto.

Si tiene preguntas técnicas, llame al 1-888-448-6746.

USO DEBIDO

Este dispositivo fue diseñado para su uso como camilla de mecánico. La intención de uso es soportar y mover, a través de una superficie lisa y nivelada, cargas de capacidad nominal consistentes en una sola persona, con un peso no mayor a la capacidad especificada. Este producto es utilizado para el propósito de hacer mantenimiento o servicio automotor.

Este dispositivo no está planeado, diseñado ni fabricado para ser utilizado con ningún otro propósito.

ESPECIFICACIONES TÉCNICAS

	Descripción
Elemento	TR6453
Capacidad	250 lb. (113,4 Kg)

REGLAS GENERALES DE SEGURIDAD

- ⚠ ADVERTENCIA:** Asegúrese de leer y entender todas las instrucciones. Si no sigue todas las instrucciones incluidas a continuación, pueden ocurrir lesiones graves.
- ⚠ PRECAUCIÓN:** No permita que nadie utilice ni ensamble este producto hasta haber leído este manual y haber comprendido completamente cómo funciona este producto.
- ⚠ ADVERTENCIA:** Dentro de las advertencias, precauciones e instrucciones tratadas en este manual de instrucciones, no se pueden abarcar todas las posibles condiciones o situaciones que podrían ocurrir. El operador debe entender que el sentido común y la precaución son factores que no pueden incorporarse en este producto, sino que ellos mismos deben aportarlos.

REGLAS GENERALES DE SEGURIDAD CONSIDERACIONES IMPORTANTES DE SEGURIDAD

USOS Y CUIDADOS

Asegúrese de que el operador comprenda concienzudamente los peligros inherentes asociados al uso y el mal uso del producto. Si existiera alguna duda con respecto a la seguridad y al uso correcto de este producto, póngalo inmediatamente fuera de servicio.

- No modifique de ninguna manera este producto. Las modificaciones no autorizadas pueden alterar el funcionamiento y/o la seguridad y podrían afectar la vida del equipo.
- Siempre revise antes de usar el producto, que no haya partes dañadas o desgastadas. Las partes rotas afectarán el funcionamiento del equipo. Inmediatamente reemplace o repare cualquier parte dañada o desgastada.
- Fuera de uso. Cuando el producto no esté en uso, guárdelo en un lugar seguro fuera del alcance de los niños. Inspecciónelo para asegurarse que esté en buenas condiciones operativas antes de guardarlo y antes de volver a usarlo.
- No debe ser usado por niños ni por personas con capacidad mental reducida.
- No lo use si se encuentra bajo la influencia de drogas o alcohol.
- Asegúrese de que los niños y otros transeúntes se mantengan a una distancia segura durante el uso.
- Las instrucciones y la información de seguridad deberán ser verbalizadas en la lengua nativa del operador antes de autorizar el uso de este producto.

NOTA: *Cualquier taburete deslizante que aparezca dañado de alguna manera, o que funcione anormalmente, deberá ser puesto inmediatamente fuera de servicio. Si el taburete deslizante hubiera sido sujeto a una carga de choque (una carga caída súbitamente e inesperadamente sobre éste), inmediatamente descontinúe el uso hasta que se hayan completado las reparaciones. Se recomienda realizar una inspección semanal para verificar que el producto esté en buenas condiciones de uso. weekly inspection be completed to check that product is in good working condition.*

INSPECCION

- Inspeccione el producto cuidadosamente antes de cada uso. Asegúrese de que el producto no esté dañado, excesivamente desgastado, o le falten piezas.
- No utilice el producto a menos que esté apropiadamente lubricado.
- El uso de un producto que no esté en buen estado de funcionamiento o insuficientemente lubricado, puede generar lesiones graves.
- Inspeccione el área de trabajo antes de cada uso. Asegúrese de que esté libre, y despejada de cualquier peligro potencial.

¡SEGURIDAD!

NO OPERE NI REPARE ESTE EQUIPO SIN ANTES HABER LEÍDO ESTE MANUAL.

Para mantener la seguridad del producto y del usuario, es la responsabilidad del propietario leer y seguir estas instrucciones.

- Inspeccione el producto para verificar su operación y funcionamiento correctos.
- Mantenga las instrucciones a disposición inmediata de los operadores del equipo.
- Asegúrese de que todos los operadores del equipo reciban el entrenamiento apropiado, y de que entiendan cómo utilizar la unidad en forma segura y correcta.
- Permita la operación del producto únicamente cuando todas las piezas estén en su sitio y funcionando correctamente.
- Utilice solo piezas de repuesto originales.
- Realice el servicio y mantenimiento del producto solo con piezas de repuesto autorizadas o aprobadas; la negligencia en tal sentido tornará inseguro el uso del producto y anulará la garantía.
- Los componentes rebatibles o plegables pueden generar riesgo de atrapamiento y aplastamiento durante el uso de este producto. Tenga precaución y asegúrese de estar sobrio y alerta cuando haga ajustes.
- Inspeccione cuidadosamente la unidad en forma regular y realice todo mantenimiento que le sea requerido.
- Guarde estas instrucciones en un ambiente limpio y seco, que permita al usuario acceder al manual antes del uso del equipo.
- Mantenga todas las calcomanías de la unidad limpias y visibles.

⚠ PRECAUCIÓN

Los componentes rebatibles o plegables pueden generar riesgo de atrapamiento y aplastamiento durante el uso de este producto. Tenga precaución cuando haga ajustes y asegúrese de estar siempre alerta y sobrio durante el ensamblado y el uso de este equipamiento.

⚠ ¡SEGURIDAD!

Siga siempre las precauciones de seguridad durante la instalación y la operación de este producto.

Mantenga todas las calcomanías de la unidad limpias y visibles. Antes de proceder asegúrese de entender y comprender completamente todo el contenido de este manual. El incumplimiento en la operación de este equipamiento como está indicado puede causar lesiones o la muerte. El distribuidor no es responsable de ningún daño o lesiones generados por un uso incorrecto o por negligencia.

ANTES DE REALIZAR CUALQUIER TRABAJO EN UN VEHÍCULO O USAR ESTE PRODUCTO

¡Use siempre Soportes de Gato!

NO USE bloques de madera ni ningún otro dispositivo de soporte de carga no aprobado. El fabricante sólo garantiza las cargas que sean sostenidas por Soportes de Gato que cumplan con los estándares ASME vigentes.

NO USE bloques de madera ni ningún otro dispositivo de elevación de carga no aprobado como medio de elevación junto con el gato y/o a la carga que está siendo levantada. El incumplimiento de estas advertencias puede causar lesiones o muerte.

MARCAS DE SEGURIDAD

⚠ ADVERTENCIA

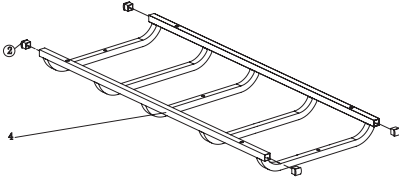
1. Estudie, entienda y siga todas las instrucciones antes de operar este dispositivo.
2. No exceda la capacidad nominal. (Esta incluye el peso del usuario, las herramientas, el equipamiento y artículos personales)
3. Úselo solo sobre superficies sólidas y niveladas, con una pendiente menor a 3 grados.
4. Úselo como una plataforma rodante.
5. ¡Siéntese delicadamente! Evite las cargas de choque causadas por saltar o caer sobre el producto.
6. No se pare sobre el producto.
7. Esté atento al riesgo de atrapamiento y aplastamiento durante el plegado o desplegado.
8. ¡Manténgalo fuera del alcance de los niños! Este dispositivo no es apropiado para el uso de niños.
9. No use este producto a menos que esté correctamente asegurado.
10. Sólo deberán usarse los accesorios y/o adaptadores suministrados por el fabricante.
11. No permita que nadie se pare bajo el vehículo que está siendo reparado, hasta que el mismo no haya sido sostenido apropiadamente con Soportes de Gato.
12. Coloque cuñas para ruedas u otros dispositivos de bloqueo en las ruedas opuestas antes de hacer algún trabajo en el vehículo.
13. No modifique este producto de ninguna manera.
14. No utilice este producto para cualquier otro uso que no sea el especificado por el fabricante.
15. La falta de seguimiento de estas producto advertencias puede resultar en lesiones personales y/o daños a la propiedad.

PREPARACION

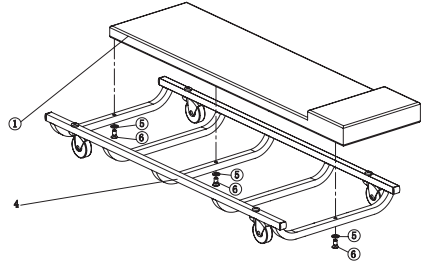
Antes de ensamblar el Taburete deslizante, asegúrese de que todas las partes estén presentes. Compare las partes con la lista de contenido del empaque. Si alguna parte faltara o estuviere dañada, no lo intente ensamblar, instalar ni operar. Contacte al servicio al cliente para conseguir partes de repuesto.

ENSAMBLAJE

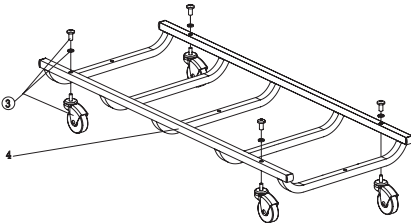
1. Inserte los tapones plásticos de los extremos (No.2) en los orificios de la Base metálica de la estructura (No.4).



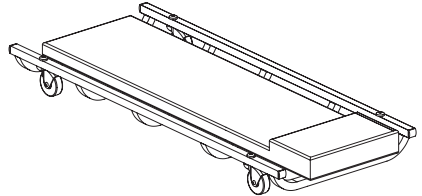
3. Sujete la almohadilla de vinilo (NO.1) al armazón metálico de la base (NO.4) con las arandelas (NO.5) y los tornillos (NO.6).



2. Sujete los seis ensamblajes de las ruedecillas giratorias (NO.3) al armazón metálico de la base (NO.4)



4. El ensamblaje se ha completado.



ANTES DEL USO

1. Antes de usar este producto, lea completamente el manual del propietario y familiarícese concienzudamente con el producto y los riesgos asociados con el uso incorrecto.
2. Verifique que el producto funcione correctamente antes de ponerlo en servicio.
3. Inspecciónelo antes de cada uso. No lo utilice si detecta partes curvadas, rotas o fisuradas

INSTRUCCIONES DE MANTENIMIENTO

Si utiliza y da mantenimiento a su equipo correctamente, este le ofrecerá muchos años de servicio. Siga cuidadosamente las instrucciones de mantenimiento para mantener su equipo en buenas condiciones de funcionamiento. No haga ningún mantenimiento al equipo mientras esté llevando una carga.

Inspección

Debe inspeccionar el producto en busca de daños, desgaste, averías o piezas faltantes (p. ej., pasadores) y verificar que todos los componentes funcionen antes de cada uso. Siga las instrucciones de lubricación y almacenamiento para lograr un rendimiento óptimo del producto.

Atasco

Si el producto se atasca mientras lleva una carga, utilice un equipo con capacidad de carga equivalente o mayor para bajar la carga de manera segura hasta el suelo. Después de que el gato esté liberado, limpie, lubrique y compruebe que el equipo funciona correctamente. Los componentes oxidados, la suciedad y las piezas desgastadas pueden ser las causas del atasco. Limpie y lubrique el equipo según lo indicado en la sección de lubricación. Pruebe el equipo levantando sin carga. Si el atasco continúa, comuníquese con el Servicio de Atención al Cliente.

Limpieza

Si las piezas en movimiento del equipo están obstruidas, utilice disolvente de limpieza u otro desengrasante fuerte para limpiar el equipo. Retire cualquier óxido existente con un lubricante penetrante.

Lubricación

Este equipo no funcionará de forma segura sin una lubricación apropiada. Si utiliza este equipo sin una lubricación apropiada, no obtendrá un buen rendimiento y se producirán daños en el equipo. Algunas piezas de este equipo no se lubrican automáticamente. Inspeccione el equipo antes de usarlo y lubríquelo cuando sea necesario. Después de limpiar, lubrique el equipo con aceite penetrante ligero o lubricante en aerosol.

- Utilice un buen lubricante en todas las piezas móviles.
- Para trabajos livianos, lubrique una vez al mes.
- Para trabajos pesados y constantes, se recomienda lubricar cada semana.
- **NUNCA UTILICE LIJAS O MATERIAL ABRASIVO SOBRE ESTAS SUPERFICIES.**

Prevención de óxido:

Revise los arietes y los émbolos de la bomba de los conjuntos de la unidad de potencia diariamente para detectar signos de oxidación o corrosión.

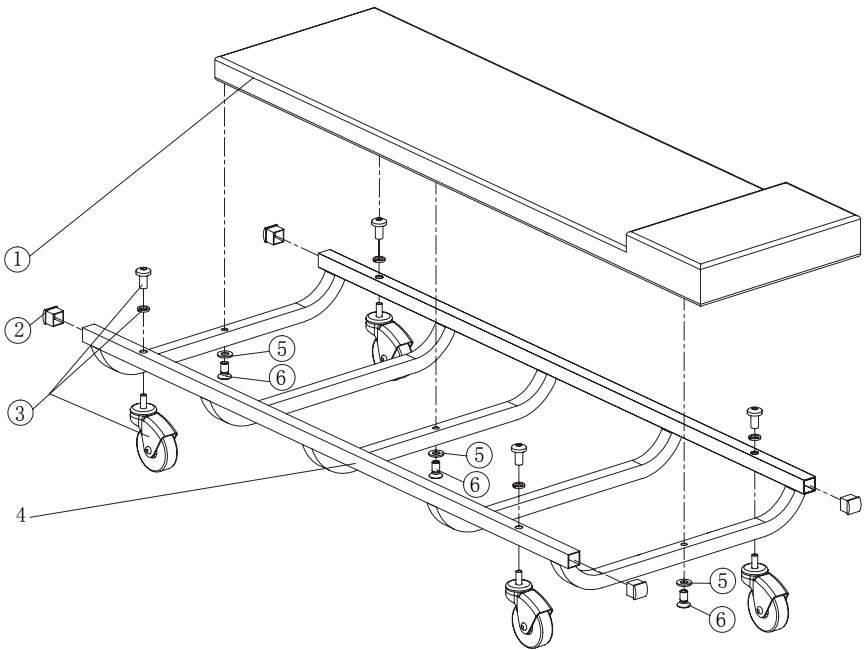
Sin carga, levante el equipo tanto como pueda y observe debajo y detrás de los puntos de elevación. Si observa signos de oxidación, limpie según sea necesario.

Almacenando el producto

Guárdelo en un sitio seco; le recomendamos hacerlo en un ambiente interior.

Nota: Si almacena el producto en un ambiente exterior, asegúrese de lubricar todas las partes antes y después del uso para asegurarse de que el producto permanezca en buenas condiciones de funcionamiento.

DIAGRAMA DE ENSAMBLAJE



REF. No	PARTE No.	DESCRIPCIÓN	CANT.
1	TR6451.1	Almohadilla de vinilo	1
2	TR6452-1	Tapón plástico del extremo	4
3	TR6452.1	Ensamblajes ruedecillas giratorias	4
4		Armazón metálico de la base	1
5	GB97.1-6	Arandela M6	3
6	GB818-M6x35	Tornillo ranurado en cruz M6x35mm	3

La temperatura de funcionamiento segura está entre 40 °F y 105 °F (4 °C y 41 °C).

AVISO DE GARANTÍA

Este equipo está cubierto por una garantía limitada de 1 año cuando se utiliza según lo recomendado. Únicamente los artículos que figuran con un número de pieza están disponibles para compra. Para obtener ayuda con la operación o la disponibilidad de las piezas de repuesto, comuníquese con nuestro departamento de piezas y garantía al 1-888-44-TORIN (1-888-448-6746). Tenga a mano una copia de su recibo, el número de modelo del producto, el número de serie y detalles específicos relacionados con su pregunta.

No se dispone de repuestos para todos los componentes del equipo; las ilustraciones provistas son una referencia conveniente de la ubicación y la posición en la secuencia de ensamblaje.

El fabricante se reserva el derecho de realizar cambios de diseño o mejoras en las líneas de productos y manuales sin previo aviso.

INFORMACIÓN DE GARANTÍA

Deseamos saber si tiene alguna inquietud sobre nuestros productos. De ser así, llame a la línea gratuita para obtener ayuda de inmediato. Si tiene consultas adicionales sobre la ayuda de asistencia al cliente en línea, visite la sección de servicio al cliente en <http://www.torin-usa.com>.

GARANTÍA LIMITADA DE UN AÑO DE TORIN

Desde 1968 Torin Inc.® fabrica productos de reparación y mantenimiento automotriz de calidad. Todos los productos vendidos se consideran como productos de la más alta calidad y están cubiertos por la siguiente garantía:

Con el comprobante de compra y durante el período de un año desde la fecha de la compra, el fabricante reparará o reemplazará, a su criterio y sin cobro, cualquiera de sus productos o piezas que fallen debido a un defecto de material o fabricación. Esta garantía no cubre daños o defectos causados por un uso inapropiado, negligente o uso indebido del equipo. Esta garantía no cubre piezas que normalmente se desgastan o consumen durante el funcionamiento normal del equipo. A excepción de las disposiciones en las que dichas limitaciones y exclusiones estén específicamente prohibidas por la ley aplicable, (1) LA ÚNICA Y EXCLUSIVA COMPENSACIÓN PARA EL CONSUMIDOR SERÁ LA REPARACIÓN O EL REEMPLAZO DE LOS PRODUCTOS DEFECTUOSOS SEGÚN LO DESCRITO ANTERIORMENTE y (2) EL FABRICANTE NO SERÁ RESPONSABLE DE NINGÚN DAÑO O PÉRDIDA RESULTANTE O CASUAL, y (3) LA DURACIÓN DE TODAS LAS GARANTÍAS EXPRESAS E IMPLÍCITAS —QUE INCLUYEN PERO NO SE LIMITAN A CUALQUIER GARANTÍA DE COMERCIABILIDAD E IDONEIDAD PARA UN PROPÓSITO PARTICULAR— SE LIMITA A UN PERÍODO DE UN AÑO DESDE LA FECHA DE COMPRA. La alteración del producto de cualquier manera por parte de cualquier persona que no seamos nosotros, con la única excepción de alteraciones que guardan conformidad con las instrucciones del producto y que se realizan de manera profesional. Usted reconoce y acepta que cualquier uso del producto para cualquier fin distinto a los usos especificados en las instrucciones del producto corre por SU cuenta y riesgo.

Siempre revise si hay piezas dañadas o desgastadas antes de utilizar cualquier producto. Las piezas averiadas afectarán el funcionamiento del equipo. Reemplace o repare las piezas dañadas o desgastadas de inmediato. No modifique el producto de ninguna manera. Cualquier modificación no autorizada puede alterar el funcionamiento o la seguridad y podría afectar la vida útil del equipo. Existen aplicaciones específicas para las que los productos han sido diseñados y probados durante la producción. No se autoriza que los elementos bajo garantía provistos por el fabricante sean reparados por alguna persona que no sea el fabricante o una persona autorizada por el fabricante. El distribuidor no tiene autorización para modificar estas declaraciones. Usted reconoce y acepta que cualquier modificación del producto para cualquier fin que no sean las reparaciones realizadas por el fabricante corre por su cuenta y riesgo. Antes de utilizar este producto, lea todo el manual del propietario y familiarícese bien con el producto y los peligros asociados a su uso incorrecto.

IMPORTANTE: ANTES DEL PRIMER USO, verifique que se haya completado una inspección diaria y que todos los componentes estén funcionando correctamente.

Esta garantía limitada le otorga derechos legales específicos, y usted también puede tener otros derechos que varían según cada estado. Algunos estados no permiten limitaciones o exclusiones sobre las garantías implícitas o casuales o resultantes, por lo que posiblemente las limitaciones anteriores no se apliquen a SU caso. Esta garantía limitada está regida por las leyes del estado de California, sin tomar en consideración las normas relativas a conflictos de leyes. Los tribunales estatales ubicados en el condado de San Bernardino, California, tendrán jurisdicción exclusiva sobre cualquier disputa relacionada con esta garantía.

El fabricante se reserva el derecho de realizar cambios de diseño o mejoras en esta línea de productos y en este manual sin previo aviso. En Torin, hemos hecho nuestro mayor esfuerzo por garantizar que se incluyan instrucciones completas y exactas en este manual. Sin embargo, probablemente se hayan efectuado posibles actualizaciones, revisiones o cambios desde esta publicación. Torin Inc. se reserva el derecho de cambiar las especificaciones sin incurrir en ninguna obligación con respecto al equipo vendido anteriormente o posteriormente. No se hace responsable de los errores tipográficos.

Como otra alternativa, puede recurrir al Servicio de Atención al Cliente en www.torin-usa.com o vía correo electrónico a info@torin-usa.com.

No se ofrece reemplazo para todos los componentes del equipo, pero estos se ilustran como referencia conveniente de la ubicación y la posición en la secuencia de ensamblaje. Comuníquese con el Servicio de Atención al Cliente para conocer componentes equivalentes. Cuando se comunique con nosotros, tenga a la mano el número de modelo, el número de serie y la descripción de su producto para que podamos ayudarlo de manera eficiente. Puede encontrar esta información en una calcomanía adherida al producto.

Para recibir apoyo sobre la garantía o si su equipo Torin® no funciona correctamente, comuníquese con el Servicio de Atención al Cliente de Torin® directamente por teléfono al 1-888-44-TORIN (1-888-448-6746) de lunes a viernes de 8:00 a. m. a 5 p. m. hora del Pacífico.



Contact Torin® Customer Service directly by telephone at:
1-888-44-TORIN (1-888-448-6746)
8:00am – 5:00pm Pacific Time, Monday – Friday

Communiquez directement avec le Service à la clientèle Torin® au:
1-888-44-TORIN (1-888-448-6746)
De 8 heures à 17 heures, heure du Pacifique, du lundi au vendredi

Comuníquese con el Servicio de Atención al Cliente de Torin® directamente por teléfono al:
1-888-44-TORIN (1-888-448-6746)
De lunes a viernes de 8:00 a. m. a 5 p. m. hora del Pacífico

Torin Inc.
4355 E. Brickell Street Ontario, CA USA
www.torin-usa.com
Made in China - Fabriqué en Chine - Hecho en China

