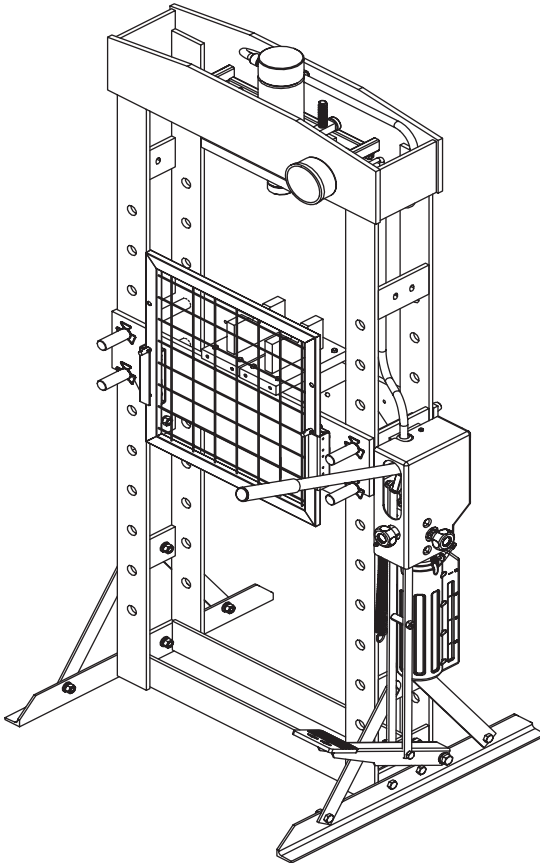




OWNER'S MANUAL

30 TON HYDRAULIC SHOP PRESS

Item: TCE30030



▲ WARNING!

Questions, problems, missing parts? Before returning to your retailer, call our customer service department at 1-888-44-TORIN (1-888-448-6746), 8 a.m.- 5 p.m., PST, Monday-Friday.

Read carefully and understand all ASSEMBLY AND OPERATION INSTRUCTIONS before operating. Failure to follow the safety rules and other basic safety precautions may result in serious personal injury.

IMPORTANT

Before You Begin Register This Product.

For future reference, record the model name, model number, date of manufacture and purchase date of this product. You can find this information on the product.

Model Name _____

Model Number _____

Date of Manufacture _____

Date of Purchase _____

OWNER / USER RESPONSIBILITY

DO NOT OPERATE OR REPAIR THIS PRODUCT WITHOUT READING THIS MANUAL.

Read and follow the safety instructions. Keep Instructions readily available for operators. Make certain all operators are properly trained and understand how to safely and correctly operate the product. By proceeding you agree that you fully understand and comprehend the full contents of this manual. Failure to operate this product as intended may cause injury or death. The manufacturer is not responsible for any damages or injury caused by improper use or neglect. Allow product operation only with all parts in place and operating safely. Use only genuine replacement parts. Service and maintain the product only with authorized or approved replacement parts; negligence will make the product unsafe for use and will void the warranty. Carefully inspect the product on a regular basis and perform all maintenance as required. Store these instructions in a protected dry location. Keep all decals on the product clean and visible. Do not modify and/or use for any application other than that for which this product was designed. If you have any questions relative to a particular application, DO NOT use the product until you have first contacted the distributor or manufacturer to determine if it can or should be performed on the product.

For technical questions please call 1-888-448-6746.

INTENDED USE

This equipment is designed for automotive, truck, implement, fleet, and industrial repair shops where pressing, bending, straightening and forming tasks are required. Typical applications include installation and removal of alternator and power steering pump bearings, axle bearings, transmission bearings, seals, U-joints and many other jobs.

TECHNICAL SPECIFICATIONS

	Description
Item	TCE30030
Capacity	30 TON
Work Range	2-3/8 ~ 37 inch
Stroke Length	5-7/8 inch
Inside Bed Dimensions L x W	20-1/16inch x 5-1/4 inch
Dimensions L x W x H	28x22x66-5/8 inch
Foot Switch Included	NO
Winch Included	NO

GENERAL SAFETY RULES

- ⚠ WARNING:** Read and understand all instructions. Failure to follow all instructions listed below may result in serious injury.
- ⚠ CAUTION:** Do not allow persons to operate or assemble this Shop Press until they have read this manual and have developed a thorough understanding of how the Shop Press works.
- ⚠ WARNING:** The warnings, cautions, and instructions discussed in this instruction manual cannot cover all possible conditions or situations that could occur. It must be understood by the operator that common sense and caution are factors which cannot be built into this product, but must be supplied by the operator.

GENERAL SAFETY RULES IMPORTANT SAFETY CONSIDERATIONS

SHOP PRESS USE AND CARE

- **Do not modify the Shop Press in any way.** Unauthorized modification may impair the function and/or safety and could affect the life of the equipment. There are specific applications for which the Shop Press was designed.
- **Always check for damaged or worn out parts before using the Shop Press.** Broken parts will affect the Shop Press operation. Replace or repair damaged or worn parts immediately.
- **Store idle Shop Press.** When Shop Press is not in use, store it in a secure place out of the reach of children. Inspect it for good working condition prior to storage and before re-use.
- **Not for use by children** or people with reduced mental capacity.
- **Do not use under the influence of drugs or alcohol.**
- **Ensure children and other bystanders** are kept at a safe distance when using shop press.

INSPECTION

- Inspect the shop press carefully before each use. Ensure the shop press is not damaged, excessively worn, or missing parts.
- Do not use the shop press unless it is properly lubricated.
- Using a shop press that is not in good clean working condition or properly lubricated may cause serious injury.
- Inspect the work area before each use. Make sure it is free and clear of any potential hazards.

DO NOT OPERATE OR REPAIR THIS EQUIPMENT WITHOUT READING THIS MANUAL.

To maintain the Shop Press and user safety, the responsibility of the owner is to read and follow these instructions. Inspect the service shop press for proper operation and function. Keep instructions readily available for equipment operators. Make certain all equipment operators are properly trained; understand how to safely and correctly operate the unit. Allow unit operation only with all parts in place and operating properly. Use only genuine replacement parts. Service and maintain the unit only with authorized or approved replacement parts negligence will make the shop press unsafe for use and void the warranty. Carefully inspect the unit on a regular basis and perform all maintenance as required. Store these instructions in the handle of your shop press. Keep all decals on the unit clean and visible.

Safety: always follow safety precautions when installing and operating this shop press. Keep all decals on the unit clean and visible. Before proceeding that you fully understand and comprehend the full contents of this manual. Failure to operate this equipment as directed may cause injury or death. The distributor is not responsible for any damages or injury caused by improper use or neglect.

SAFETY MARKINGS

⚠ WARNING!

1. Study, understand, and follow all instructions before operating the device.
2. Do not exceed rated capacity.
3. Prior to use, make sure the press is securely anchored.
4. The press shall be installed and operated in accordance with federal (OSHA), state, and local safety standards.
5. Ensure the work area is clean and free of any hazards before operation.
6. Operators and observers shall wear eye protection that meets ANSI Z87.1 and OSHA standards.
7. Keep hands, arms, feet, and legs out of the work area. Accidental slippage can result in personal injury.
8. Use appropriate guarding to contain any pieces that may break or fly apart when applying force.
9. Use only press accessories having a capacity rating equal to or greater than the capacity of the press.
10. Verify lift cables are slack before pressing on the bolster.
11. Avoid off-center loads.
12. No alterations shall be made to the product.
13. Do not use this press for any use other than the manufacturer specified usage.
14. Failure to heed and understand these instructions and markings may result in personal injury, property damage, or both.

GENERAL SAFETY INSTRUCTIONS

PLEASE READ THESE INSTRUCTIONS CAREFULLY. NOTE THE SAFETY INSTRUCTIONS AND WARNINGS. USE THE PRODUCT CORRECTLY AND WITH CARE FOR THE PURPOSE OF WHICH IT IS INTENDED. FAILURE TO DO SO MAY CAUSE DAMAGE TO PROPERTY AND/OR SERIOUS PERSONAL INJURY. PLEASE KEEP THIS INSTRUCTION MANUAL SAFE FOR FUTURE USE.

We've done all we can to assure this press offers the outmost in safety, but you have to do your part. No amount of warning can take the place of your good judgment, so make sure it's the first thing you bring to any job. Beyond that here are some obvious tips:

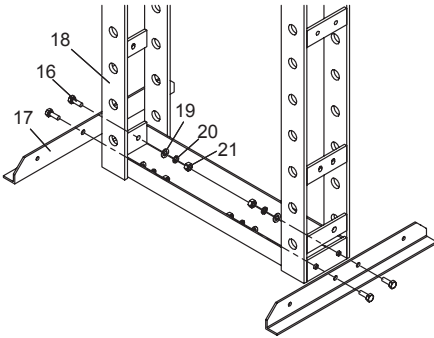
- Steel and other materials can shatter, so always use protective eyewear that complies with the appropriate ANSI code.
- If you detect anything that may indicate imminent structural failure, stop using the press immediately and inspect it thoroughly.
- Bolt the press to the floor if it is to be used on bulky or unstable items.
- Do not use press to compress springs or any other item that could disengage and cause a potential flying hazard.
- Use this press for the purpose for which it is intended. Do not use it for any other purpose it is not designed to perform.
- Keep children and unauthorized persons away from the work area.
- Contain loose fitting clothing. Remove ties, watches, rings and other loose jewelry and contain long hair.
- Wear ANSI approved impact safety goggles, full-face impact safety shield and heavy-duty work gloves when operating the press.
- Keep proper balance and footing, do not overreach and wear nonskid footwear.
- Only use this press on a surface that is stable, level, dry and not slippery, and capable of sustaining the load. Keep the surface clean, tidy and free from unrelated materials and ensure that there is adequate lighting.
- Inspect the press before each use. Do not use if bent, broke, cracked, leaking or otherwise damaged. Do not use if any suspect parts are noted or if the shop press has been subjected to a shock load.
- Check to ensure that all applicable bolts and nuts are firmly tightened.
- Ensure that work piece is center-loaded and secure.
- Keep hands and feet away from bed area at all times.
- Do not use the shop press to compress spring or any other item that could disengage and cause a potential hazard. Never stand directly in front of loaded press and never leave loaded press unattended.
- Do not operate the press when you are tired or under the influence of alcohol, drugs or an intoxicating medication.
- Do not allow untrained persons to operate the press.
- Do not make any modifications to the press.
- Do not use brake fluid or any other improper fluid and avoid mixing different types of oil when adding hydraulic oil. Only good quality hydraulic jack oil can be used.
- Do not expose the press to rain or any other kind of bad weather.
- If the press needs repairing and/or there are any parts that need to be replaced, have it repaired by authorized technicians and only use the replacement parts supplied by the manufacturer.

WARNING! *The warnings, cautions and instructions discussed in this manual cannot cover all conditions and situations that may occur. It must be understood by the operator that common sense and caution are factors which cannot be built into this product, but must be supplied by the operator.*

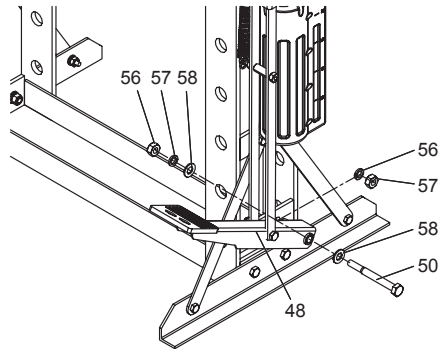
ASSEMBLY

All numbers in parenthesis refer to the index number from the parts breakdown

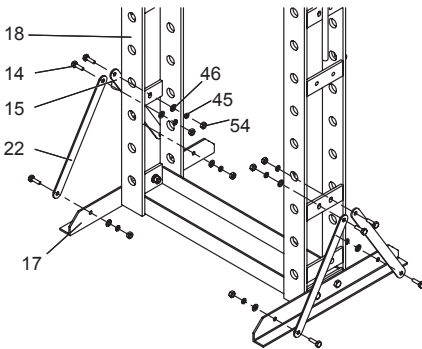
1. Attach base (17) to frame assembly (18) with bolt (16), washer (19), spring washer (20) and nuts (21).



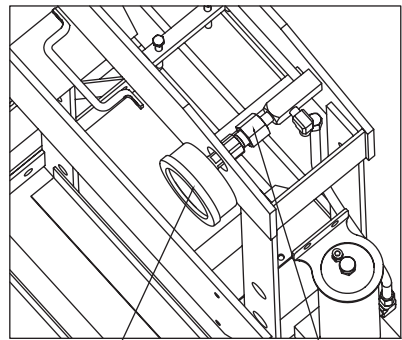
3. Carefully place the pedal of power unit assembly (48) to the frame assembly (18) with washer (58), spring washer (57), nut (56) and bolt (50). Ensure that the power unit assembly (48) is securely installed.



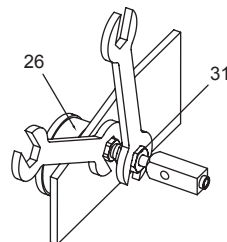
2. Attach support bar #1 (15) and support bar #2 (22) to base (17) and frame assembly (18) with bolt (14), washer (46), spring washer (45) and nuts (54).



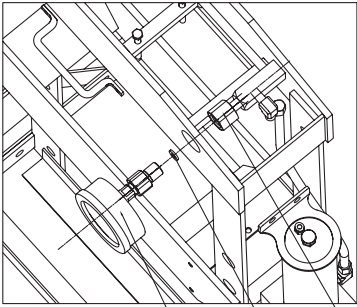
4. Install the pressure gauge (26) to the top of frame (18), with M20 thin nut (31). Hand tighten the pressure gauge (26) with M20 nut (31) and make sure dial gauge is facing proper direction up. Tight gauge securely.



26 31

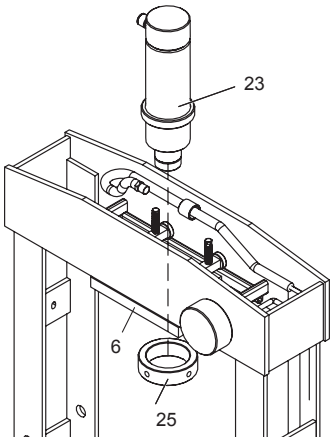


5. Locate the hydraulic hose fitting on the hose assembly (31). Install the O-ring (27) into the groove of the hose connection fitting (31). Then Connect the hydraulic hose (31) to the gauge (13). Securely tighten the hose fitting (31) on the gauge (13).

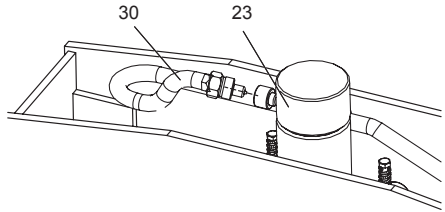


13 27 31

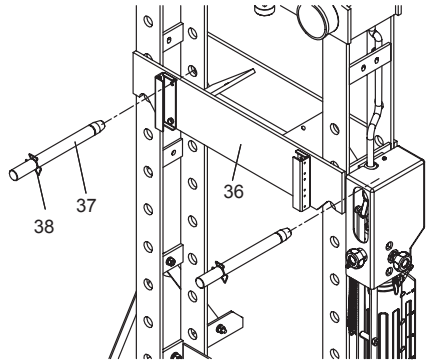
6. Insert the cylinder assembly (23) from the top side of frame. Once the cylinder is inserted into the cylinder base (6) make sure that the roundlifting ring is seated flat on the cylinder base (6). Then attach the round nut (25) to the cylinder assembly. Turn clockwise to screw the roundnut (25) onto threaded shaft on the ram. Tighten round nut (25).



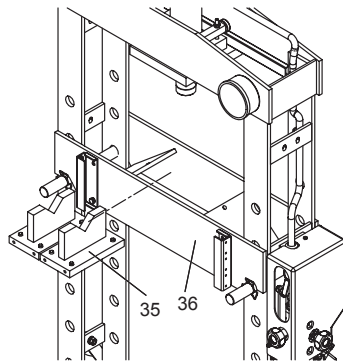
7. Connect the male coupling hose connector (30) to cylinder assembly (23).



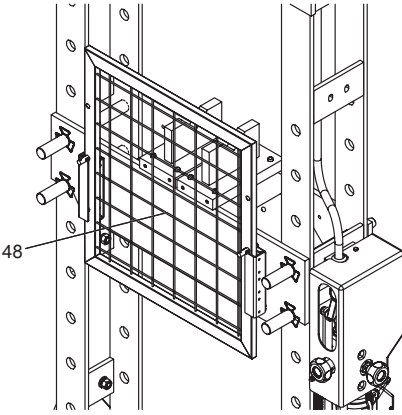
8. Carefully bring the lower bolster (36) up and secure it with support pins (37) and round wire snap rings (38).



9. Place the bolster plates (35) on lower bolster (36).



10. Place the fence (48) on frame as needed.



11. The press is now ready for use.

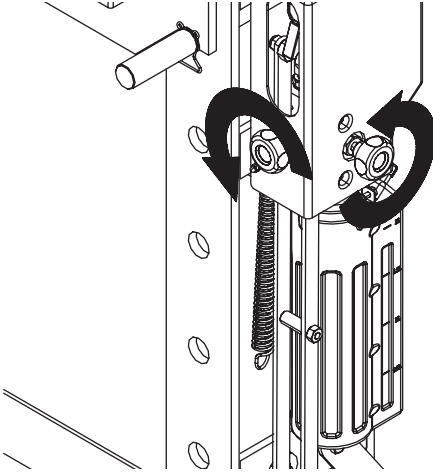
SYSTEM AIR PURGE PROCEDURE

IMPORTANT: BEFORE FIRST USE

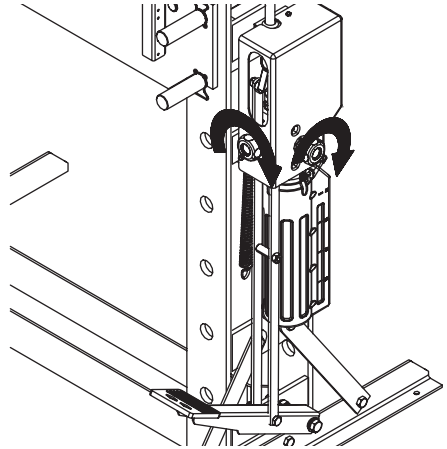
All numbers in parenthesis () refer to the index number from the parts breakdown.

Perform the following Air Purge Procedure to remove any air that may have been introduced into the hydraulic system as a result of product shipment and handling. This step is to be completed without and weight on the jack.

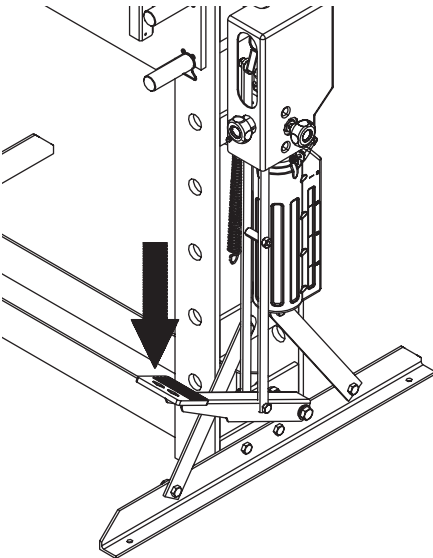
1. Turn the Release Valve counterclockwise to release the pressure in the pressure in the pump and hose.



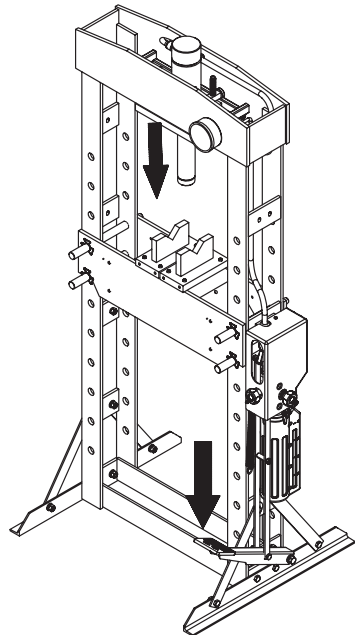
3. Firmly close the Release Valve and Fast-slow Valve by turning it clockwise.



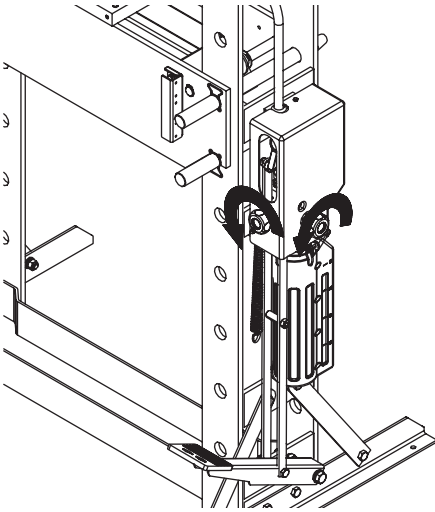
2. Step on the pedal quickly for 10 times to discharge the air out of the hydraulic system.



4. Step on the pedal to extend the piston rod for a few distance.

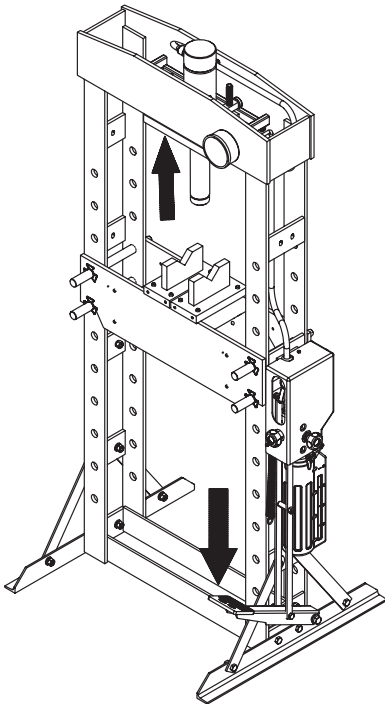


5. Turn the Release Valve and Fast-slow Valve counterclockwise.



7. Please contact the factory for help, if the hydraulic pump is still not works after conducting the above operations several times.

6. Then step the pedal quickly, when the piston rod is returning until the piston rod is back to the original position to discharge the air out of the hydraulic system.



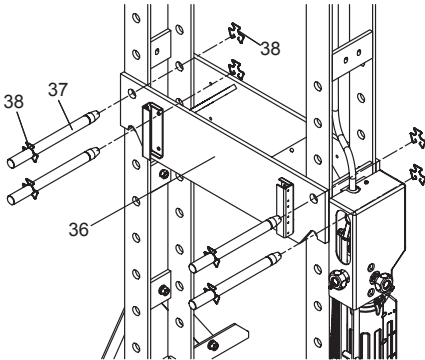
BEFORE USE

1. Before using this product, read the owner's manual completely and familiarize yourself thoroughly with the product and the hazards associated with its improper use.
2. Perform the air purge procedure. (See previous instructions for system purge procedure.)
3. Inspect before each use. Do not use if bent, broken or cracked components are noted.

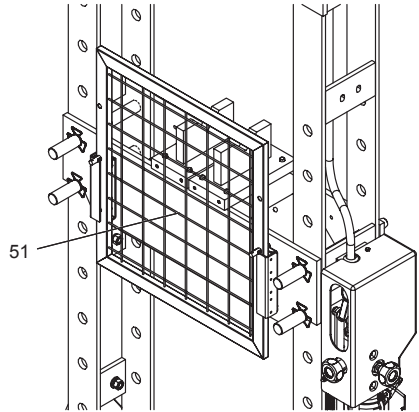
OPERATION

All numbers in parenthesis refer to the index number from the parts breakdown.

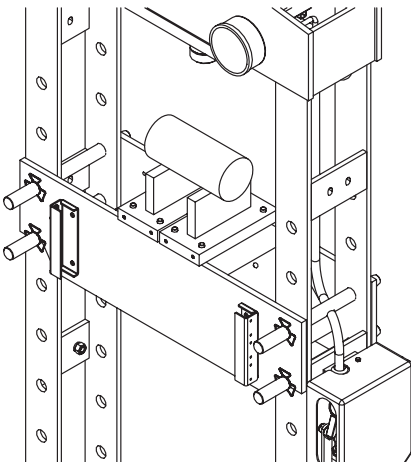
1. Carefully bring the lower bolster (36) up and secure it with support pins (37) and round wire snap rings (38).



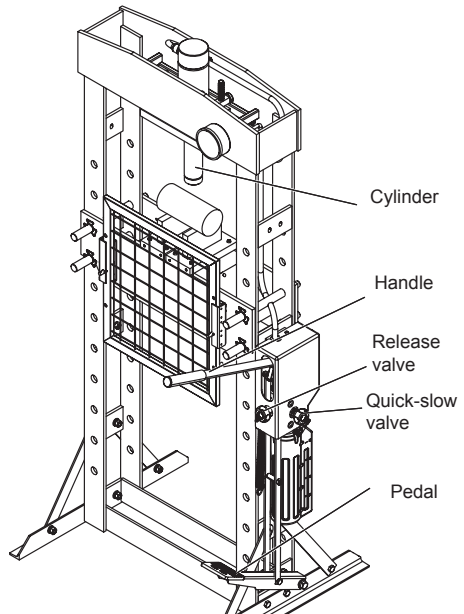
3. Place the fence (51) on frame as needed.



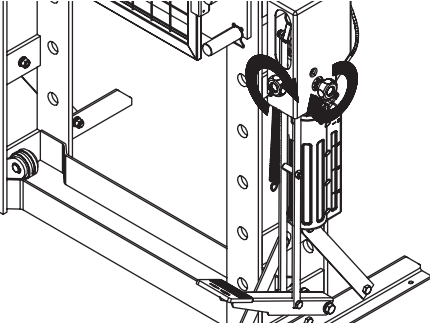
2. Place bolster plates (35) on press bed frame. Place work piece on the bed frame or pressing block, use every precaution necessary to ensure safety and to prevent accidents. Position work piece in a manner which will not allow it to inadvertently fall from the bed frame or pressing block.



4. Familiar with this product.



5. Close the release and Fast-slow Valve valve by turning it clockwise until it is firmly closed.

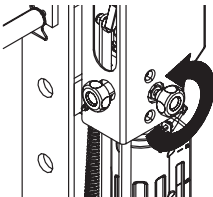
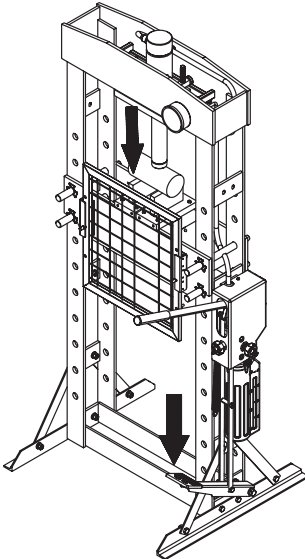
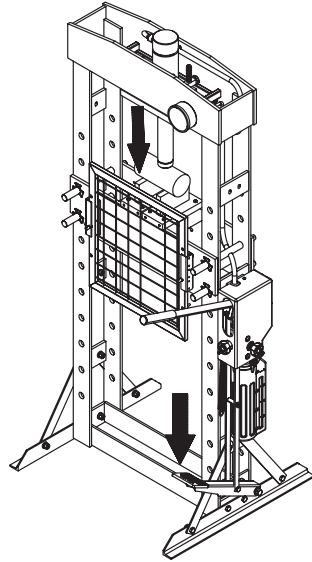


6. Pump the handle or pedal until serrated saddle nears workpiece. Then, open Fast-slow Valve by turning it counterclockwise.

7. Keep ram and work piece aligned to ensure center-loading.

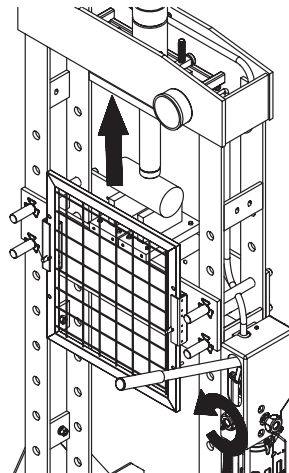
NOTE: Stabilize work piece in a manner which will not allow it to inadvertently fall from the bed framewhen the load is removed.

8. Align ram and workpiece to ensure center-loading, pump the handle or pedal. Do not overload workpiece.



9. When work is completed, stop pumping the handle. Slowly turn the release valve counterclockwise in small increments until ram is free from work piece.

10. Once ram has fully retracted, remove work piece from bed frame. Cautiously remove work piece from press.



MAINTENANCE INSTRUCTIONS

If you use and maintain your equipment properly, it will give you many years of service. Follow the maintenance instructions carefully to keep your equipment in good working condition. Never perform any maintenance on the equipment while it is under a load.

Inspection

You should inspect the product for damage, wear, broken or missing parts (e.g.: pins) and that all components function before each use. Follow lubrication and storage instructions for optimum product performance.

Binding

If the product binds while under a load, use equipment with equal or a larger load capacity to lower the load safely to the ground. After unbinding; clean, lubricate and test that equipment is working properly. Rusty components, dirt, or worn parts can be causes of binding. Clean and lubricate the equipment as indicated in the lubrication section. Test the equipment by lifting without a load. If the binding continues contact Customer Service.

Cleaning

If the moving parts of the equipment are obstructed, use cleaning solvent or another good degreaser to clean the equipment. Remove any existing rust with a penetrating lubricant.

Lubrication

This equipment will not operate safely without proper lubrication. Using the equipment without proper lubrication will result in poor performance and damage to the equipment. Some parts in this equipment are not self-lubricating. Inspect the equipment before use and lubricate when necessary. After cleaning, lubricate the equipment using light penetrating oil, lubricating spray.

- Use a good lubricant on all moving parts.
- For light duty applications, use lubrication once a month.
- For heavy and constant use, lubrication is recommended every week.
- NEVER USE SANDPAPER OR ABRASIVE MATERIAL ON THESE SURFACES!

Rust Prevention:

Check rams and pump plungers on the power unit assemblies daily for any signs of rust or corrosion.

Without a load on the equipment extended hydraulic rams to check if signs of rust are visible; clean as needed.

Grease Fittings

Some models contain grease fittings that will regularly need to be greased and lubricated.

How the Ram Operates

With release valve closed, an upward stroke of the jack handle draws oil from the reservoir tank into the plunger cavity. Hydraulic pressure holds the valve closed, which keeps the oil in the plunger cavity. A downward stroke of the jack handle releases oil into the cylinder, which forces the ram out. This extends the ram. When the ram reaches maximum extension, oil is bypassed back into the reservoir to prevent an over extended ram stroke and possible damage to the ram. Opening the release valve allows oil to flow back into reservoir. This releases hydraulic pressure on the ram, which results in lowering the ram.

Storing the Ram

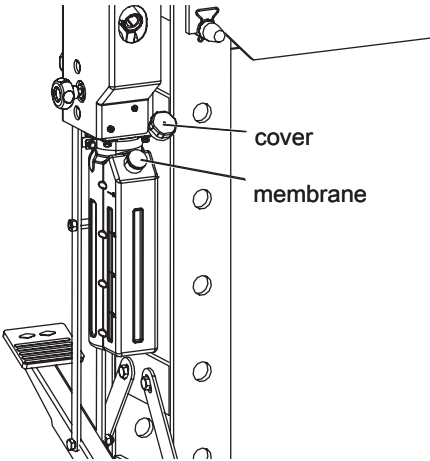
1. Fully Retract Ram after use.
2. Place the handle in the upright position.
3. Store in a dry location, recommended indoors.

Note: If the press is stored outdoors, be sure to lubricate all parts before and after use to ensure the press stays in good working condition.

TO ADD JACK OIL:

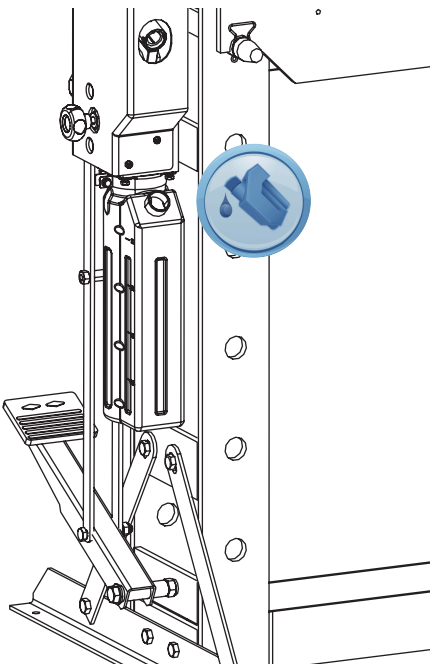
The hydraulic cylinder assembly contains hydraulic fluid that must be kept at approximately 80% full at all times for proper operation. To check the level and to fill remove oil filler plug.

1. Fully retract the hydraulic ram.
2. Remove the cover and membrane.

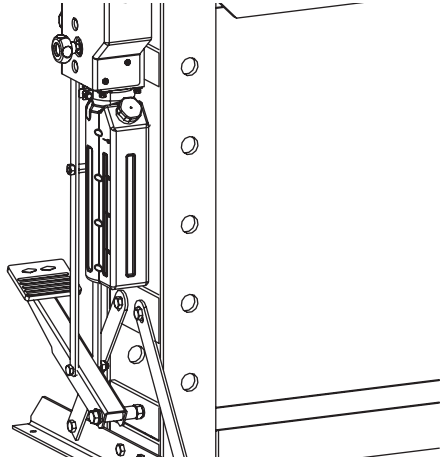


3. Fill the oil case until oil level is near the 1.8L of the oil tub.

KEEP DIRT AND OTHER MATERIAL CLEAR WHEN POURING.



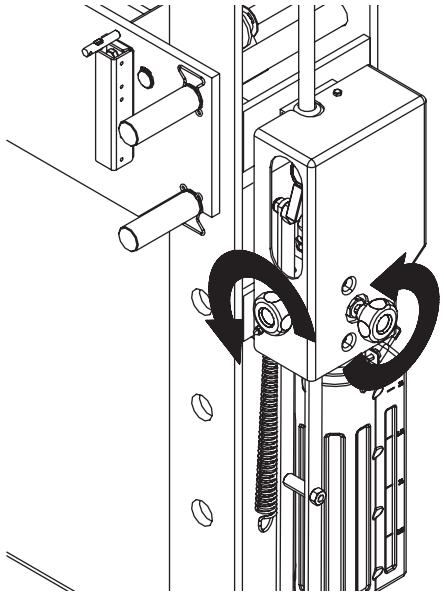
4. Replace the membrane.



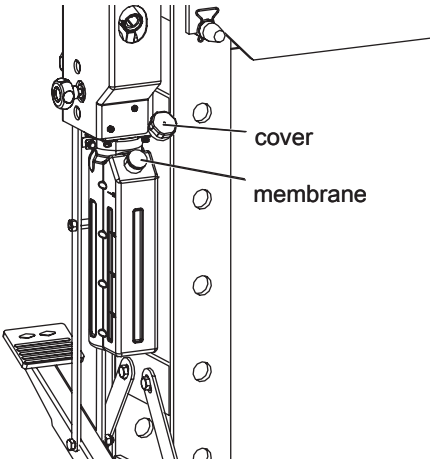
5. Perform the Air Purge Procedure.

TO REPLACE JACK OIL

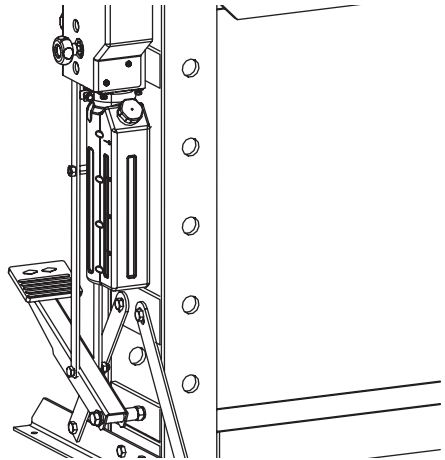
1. Position the pump in the vertical position and fully retract the hydraulic ram.
2. Open release valve by turning handle counter-clockwise (4 full turns).



3. Remove the cover and membrane.



6. Replace the membrane.

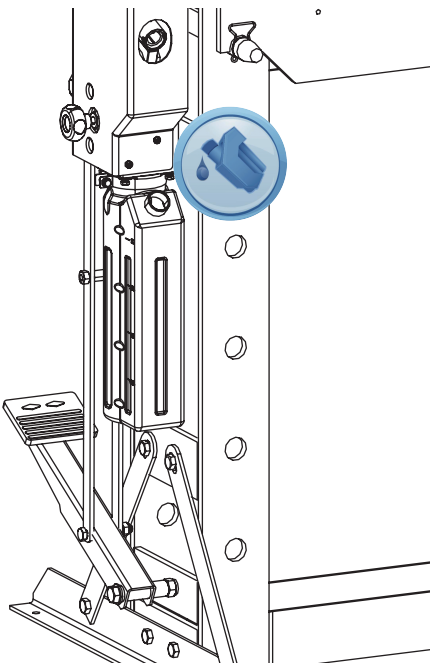


4. Turn the jack on its side so that old oil will drain from the oil fill hole.

Note: Dispose of hydraulic fluid in accordance with local regulations.

5. Fill the oil case until oil level is near the 1.8L of the oil tub

KEEP DIRT AND OTHER MATERIAL CLEAR WHEN POURING.



7. Perform the Air Purge Procedure.

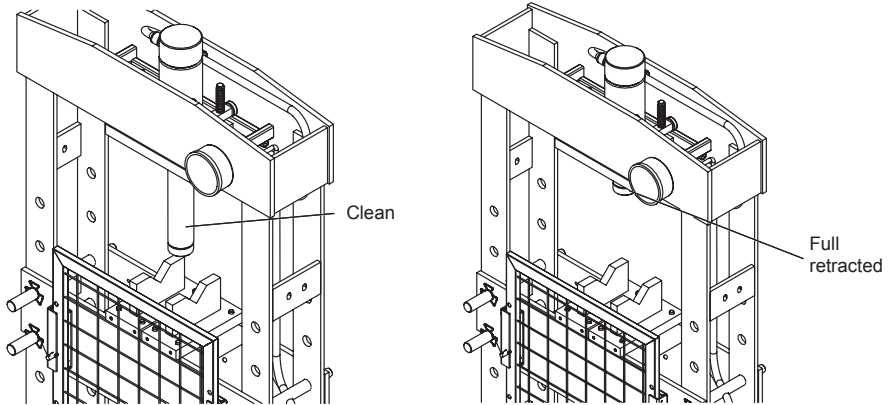
▲ ADDITIONAL WARNINGS:

- DO NOT USE MOTOR OIL IN THE JACK.
- ONLY USE ANTI-FOAMING JACK OIL.
- ALWAYS USE A GOOD GRADE HYDRAULIC JACK OIL.
- DO NOT USE HYDRAULIC BRAKE FLUID, ALCOHOL, GLYCERINE, DETERGENT, MOTOR OIL OR DIRTY OIL.
- USE OF A NON-RECOMMENDED FLUID CAN CAUSE DAMAGE TO A JACK.
- AVOID MIXING DIFFERENT TYPES OF FLUID AND NEVER USE BRAKE FLUID, TURBINE OIL, TRANSMISSION FLUID, MOTOR OIL OR GLYCERIN. IMPROPER FLUID CAN CAUSE PREMATURE FAILURE OF THE JACK AND THE POTENTIAL FOR SUDDEN AND IMMEDIATE LOSS OF LOAD.
- DISPOSE OF HYDRAULIC FLUID IN ACCORDANCE WITH LOCAL REGULATIONS.

LUBRICATION

A periodic coating of light lubricating oil to pivot points will help to ensure that pump pistons move freely.

Note: Never apply oil to the saddle. If saddle extension threads require lubrication; clean thread surfaces with a clean, dry cloth, then apply a drop of bearing grease to the threads. Distribute as evenly as possible along the threaded post.

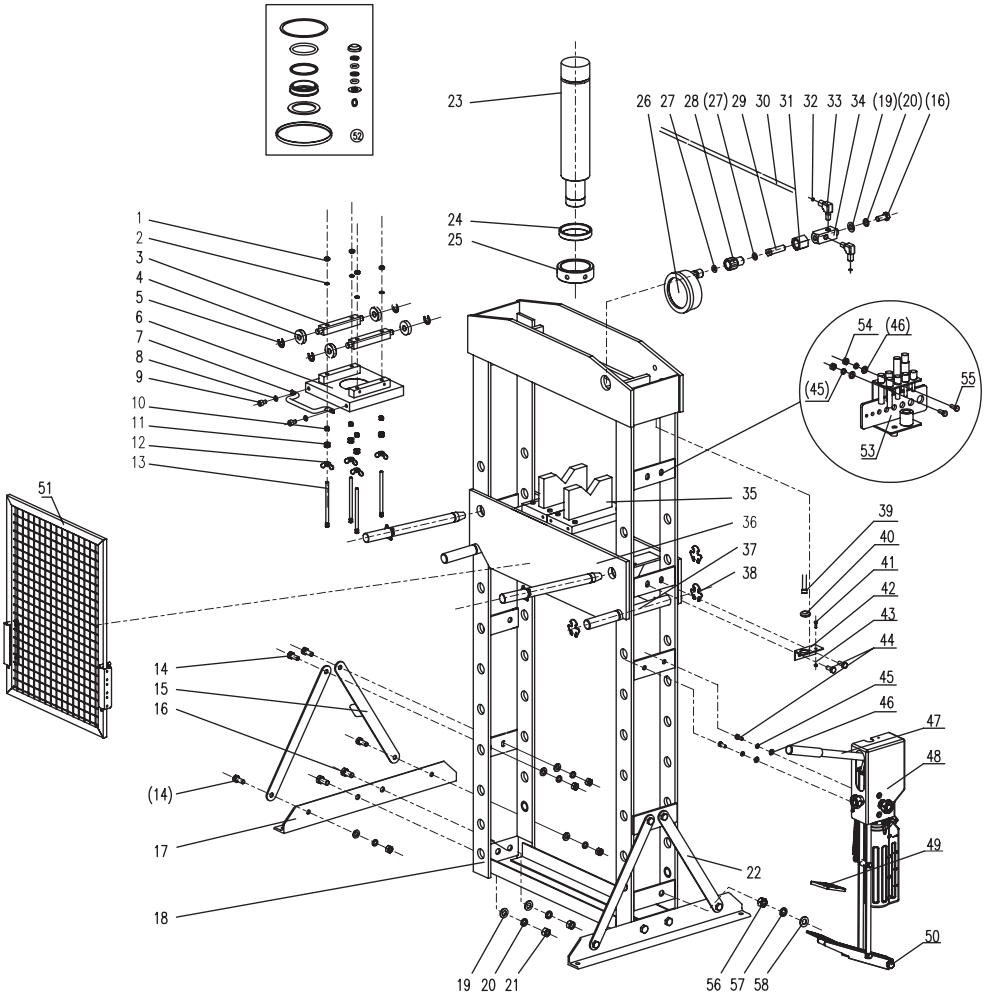


TROUBLESHOOTING

RAM WILL NOT PRESS LOAD	RAM BLEEDS OFF AFTER PRESS OPERATION	RAM WILL NOT RETRACT AFTER UNLOADING	POOR LIFT PERFORMANCE	RAM WILL NOT EXTEND TO FULL EXTENSION	CAUSES AND SOLUTIONS
X	X		X		Release valve not tightly closed. Ensure release valve tightly closed.
X					Overload condition. Remedy overload condition.
X	X		X		Power unit malfunctioning. Replace the power unit.
		X	X		Reservoir overfilled. Remove pump, then drain fluid to proper level.
		X			Linkage binding. Clean and lubricate moving parts.
X				X	Fluid level low. Ensure proper fluid level.
X			X	X	Air trapped in system. Purge air from system.

Safe Operating Temperature is between 40°F – 105°F (4°C - 41°C)

ASSEMBLY DIAGRAM



No.	Part	escription	Qty
1		Nuts M8	4
2		Spring Washer M8	4
3		Roller Shaft	2
4		Roller bearing 6201-2Z	4
5		Elastic ring for shaft M15	4
6		Cylinder Base	1
7		Handle for cylinder Moving	1
8		Spring Washer M8	2
9		Socket head cap screw M8X10	2
10		Spring	4
11		Spring Cover	4
12		Wing Nut M8	4
13		Reformed Screw	4
14		Screw M12X30	4
15		Support Bar	1
16		Screw M12X35	9
17		Base	2
18		Frame Assembly	1
19		Spring Washer M12	16
20		Washer M12	12
21		Nuts M12	12
22		Support Bar	3
23	TY20028.1	Cylinder Assembly	1
24		Cylinder Sleeve	1
25		Cylinder Seats Sleeve	1
26	TY20021-02	Pressure Gauge	1
27	TY20021.1-15	Rectangular Seal	2
28	TY20021-08a	Gauge Connector	1

No.	Part	escription	Qty
29		Tubing connecting Gauge	1
30		Hose	1
31		Pressure gauge retaining nut	1
32	TY20021-12	O Seal M5X1.8	5
33		Hose Joints	2
34		Shunt joint	1
35	TY20021.3	Bolster Plates	2
36		Lower Bloster	1
37	TY20021-05	Support Pin	4
38	TY20021-14	Wing Retaining Ring	8
39		Tubing connecting Pump	1
40		Tubing fixing sleeve	1
41		Bolt M5X16	1
42		Fixed Plate	1
43		Washer M5	1
44		Screw M10X25	7
45		Spring Washer M10	12
46		Washer M10	12
47	TY20030.1-07	Handle	1
48	TY20030.1	Power Unit Assembly	1
49	TY20030-04	Tread MATs	1
50		Screw M14X120	1
51	TY20021F.11	Fence	1
52	TY20030D.MF	Seal Kits	1
53	TY20021.6	Spreader	1
54		Nuts M10	10
55		Screw M10X30	2
56		Nuts M14	4
57		Spring Washer M10	4
58		Washer M14	4

WARRANTY NOTICE

This equipment is covered under a 1-year limited warranty when used as recommended. Only those items listed with a Part # are available for purchase. For assistance with the operation or the availability of replacement parts, contact our Parts and Warranty Department at 1-888-44-TORIN (1-888-448-6746). Please have available a copy of your receipt, the model number of the product, serial number, and specific details regarding your question.

Not all equipment components are available for replacement; illustrations provided are a convenient reference of location and position in the assembly sequence.

The manufacturer reserves the rights to make design changes and or improvements to product lines and manuals without notice.

WARRANTY INFORMATION

We want to know if you have any concerns with our products. If so, please call toll-free for immediate assistance. For additional web customer support help inquiries visit the Customer Service section at: <http://www.torin-usa.com>.

TORIN ONE YEAR LIMITED WARRANTY

Torin Inc.® has been producing quality automotive repair and maintenance products since 1968. All products sold are felt to be of the highest quality and are covered by the following warranty: With proof of purchase for a period of one year from the date of that purchase, the manufacturer will repair or replace, at its discretion, without charge, any of its products or parts thereof which fail due to a defect in material or workmanship. This warranty does not cover damage or defects caused by improper use, careless use or abuse of the equipment. This warranty does not cover parts normally considered to wear out or be consumed in the normal operation of the equipment. Except where such limitations and exclusions are specifically prohibited by applicable law, (1) the CONSUMERS SOLE AND EXCLUSIVE REMEDY SHALL BE THE REPAIR OR REPLACEMENT OF DEFECTIVE PRODUCTS AS DESCRIBED ABOVE, and (2) THE MANUFACTURER SHALL NOT BE LIABLE FOR ANY CONSEQUENTIAL OR INCIDENTAL DAMAGE OR LOSS WHATSOEVER, and (3) THE DURATION OF ANY AND ALL EXPRESSED AND IMPLIED WARRANTIES, INCLUDING, WITHOUT LIMITATION, ANY WARRANTIES OF MERCHANTABILITY AND FITNESS FOR A PARTICULAR PURPOSE, IS LIMITED TO A PERIOD OF ONE YEAR FROM DATE OF PURCHASE. Product alteration in any manner by anyone other than us, with the sole exception of alterations made pursuant to product instructions and in a workman like manner. You acknowledge and agree that any use of the product for any purpose other than the specified use(s) stated in the product instructions is at Your own risk.

Always check for damaged or worn out parts before using any product. Broken parts will affect the equipment operation. Replace or repair damaged or worn parts immediately. Do not modify the product in any way. Unauthorized modification may impair the function and/or safety and could affect the life of the equipment. There are specific applications for which products are designed and tested during production. Manufacturer provided warranted items are not authorized to be repaired by anyone other than the manufacturer or manufacture approved repair person. Distributor does not have authorization to amend these statements. You acknowledge and agree that any modification of the product for any purpose other than manufacturer completed repairs is at your own risk. Before using this product, read the owner's manual completely and familiarize yourself thoroughly with the product and the hazards associated with its improper use. IMPORTANT: BEFORE FIRST USE on any Lift verify that a daily inspection has been completed and that all components are in the proper working order.

This limited warranty gives you specific legal rights, and you also may have other rights, which vary from state to state. Some states do not allow limitations or exclusions on implied warranties or incidental or consequential damages, so the above limitations may not apply to You. This limited warranty is governed by the laws of the State of California, without regard to rules pertaining to conflicts of law. The state courts located in San Bernardino County, California shall have exclusive jurisdiction for any disputes relating to this warranty.

Manufacturer reserves the rights to make design changes and or improvements to this product lines and manual without notice. We at Torin have taken every effort to ensure complete and accurate instructions have been included in this manual. However, possible product updates, revisions and or changes may have occurred since this printing. Torin Inc. reserves the right to change specifications without incurring any obligation for equipment previously or subsequently sold. Not responsible for typographical errors. Alternately Customer Service can be reached through www.torin-usa.com or via email at info@torin-usa.com.

Not all equipment components are available for replacement, but are illustrated as a convenient reference of location and position in the assembly sequence. Contact Customer Service for equivalent component. When you contact us, please have your Product's Model number, Serial Number and Description ready so that we may help you efficiently. This information can be found on a sticker on the product.

For any warranty support or if your Torin® equipment is not functioning properly contact Torin® Customer Service directly by telephone at 1-888-44-TORIN (1-888-448-6746) 8:00am – 5:00pm Pacific Time, Monday – Friday

www.torin-usa.com

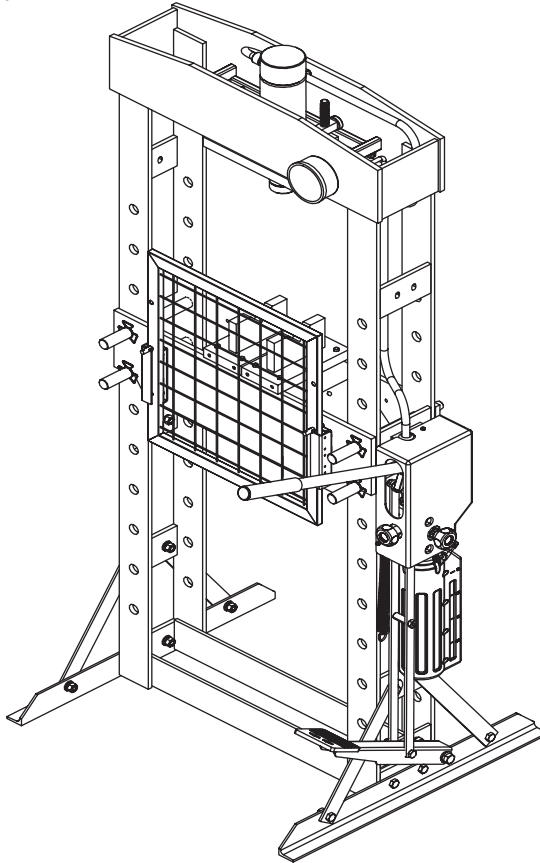
Made in China



MANUEL DU PROPRIÉTAIRE

PRESSE HYDRAULIQUE D'ATELIER - 30 TONNES

Article No. TCE30030



▲ AVERTISSEMENT!

Questions, problèmes, pièces manquantes? Avant de retourner voir votre fournisseur, appelez notre service à la clientèle au 1-888-44-TORIN (1-888-448-6746) entre 8 heures et 17 heures, HNP, du lundi au vendredi.

Lisez attentivement et comprenez toutes les DIRECTIVES DE MONTAGE ET DE FONCTIONNEMENT avant l'utilisation. Vous pouvez subir des blessures graves si vous ne vous conformez pas à ces règles et autres précautions de sécurité.

IMPORTANT

Avant de commencer, enregistrez ce produit.

Pour référence future, enregistrez le nom de modèle, le numéro, la date de fabrication et la date d'achat du produit. Vous pouvez trouver ces renseignements sur le produit.

Nom de modèle _____

Numéro de modèle _____

Date de fabrication _____

Date d'achat _____

RESPONSABILITÉ DU PROPRIÉTAIRE OU DE L'UTILISATEUR

NE PAS UTILISER OU RÉPARER CE PRODUIT SANS AVOIR LU LE PRÉSENT MANUEL.

Lisez et suivez les directives de sécurité. Conservez ces directives à la disponibilité des opérateurs.

Assurez-vous que tous les opérateurs sont bien formés et savent comment utiliser le produit correctement et en toute sécurité. En continuant, vous convenez que vous comprenez complètement le contenu du présent manuel. Le produit peut causer des blessures ou provoquer la mort si vous n'utilisez pas le produit dans le but pour lequel il a été conçu. Le fabricant n'est pas responsable des dommages ou blessures provoqués par une utilisation inappropriée ou par négligence. Ne faites fonctionner le produit que si toutes les pièces sont en place et fonctionnent de manière sécuritaire. N'utilisez que des pièces de rechange authentiques. Effectuez l'entretien de ce produit uniquement avec des pièces de rechange autorisées ou approuvées; la négligence rendra l'utilisation du produit dangereuse et annulera la garantie. Inspectez régulièrement et avec soin le produit et effectuez tout l'entretien nécessaire. Conservez ces directives dans un endroit protégé sec. Conservez propres et visibles tous les autocollants sur le produit. Ne modifiez pas ou n'utilisez pas le produit pour une application autre que celle pour laquelle il a été conçu. Pour toute question relative à une application particulière, N'utilisez PAS le produit avant d'avoir communiqué avec le distributeur ou le fabricant afin de déterminer si cela peut se faire.

Pour toutes questions d'ordre technique, appelez au 1-888-44-TORIN (1-888-448-6746).

UTILISATION PRÉVUE

Cet équipement est conçu pour des ateliers de réparation des voitures, des camions, des instruments de bord, des séries de véhicules, et des ateliers de réparations industrielles où l'on a besoin d'effectuer des travaux de passage, de pliage, de dressage et de formage. Les applications typiques comprennent l'installation et démontage des roulements d'alternateur et des pompes de servodirection, des paliers d'essieu, des roulements des boîtes de vitesse, des joints, des jointes de cardan et beaucoup d'autre travaux.

SPÉCIFICATIONS TECHNIQUES

	Description
Article No.	TCE30030
Capacité	30 TONNES
Possibilités de travail	2-3/8 ~ 37 Pouce
Longueur de course	5-7/8 Pouce
IDimensions intérieurs de l'encadrement Longueur x Largeur	20-1/16Pouce x 5-1/4 Pouce
Dimensions Longueur x Largeur x Hauteur	28x22x66-5/8 Pouce
Interrupteur au pied compris	NON
Manivelle comprise	NON

CONSIGNES GÉNÉRALES DE SÉCURITÉ

- ⚠ **AVERTISSEMENT** : Lisez et comprenez toutes les directives. Il peut se produire des blessures graves si vous ne suivez pas toutes les directives ci-dessous.
- ⚠ **MISE EN GARDE** : Ne permettez personne d'utiliser ou de monter cette Presse d'Atelier avant d'avoir lu ce manuel et d'avoir compris complètement comment cette Presse d'Atelier fonctionne.
- ⚠ **AVERTISSEMENT** : **Les avertissements, remarques et instructions dans ce manuel d'instructions ne peuvent pas couvrir toutes les conditions ou situations possibles qui pourraient survenir.** L'opérateur doit comprendre que le bon sens et la prudence sont des facteurs qui ne peuvent pas être incorporés dans ce produit, mais que c'est le rôle de l'opérateur d'en faire preuve.

CONSIGNES GÉNÉRALES DE SÉCURITÉ FACTEURS DE SÉCURITÉ IMPORTANTS

UTILISATION ET ENTRETIEN DE LA PRESSE D'ATELIER

- **Ne modifiez absolument pas la Presse d'Atelier.** Toute modification non autorisée pourrait dégrader le fonctionnement et/ou la sécurité et pourrait nuire à la durée de vie de l'équipement. Il y a des applications spécifiques pour lesquelles la Presse d'Atelier a été conçue.
- **Avant d'utiliser la Presse d'Atelier, vérifiez toujours pour vous assurer que les pièces ne soient pas endommagées ou usées.** Les pièces brisées auront une incidence sur le fonctionnement de la Presse d'Atelier. Remplacez ou réparez immédiatement toute pièce endommagée ou usée.
- **Rangez la Presse d'Atelier quand elle n'est pas utilisée.** Lorsque la Presse d'Atelier n'est pas utilisée, rangez-la dans un endroit sûr hors de la portée des enfants. Vérifiez qu'elle soit en bon état de fonctionnement avant de la ranger et avant de la réutiliser.
- **À ne pas être utilisée par des enfants** ou par des personnes avec une capacité intellectuelle réduite.
- **Ne l'utilisez pas sous l'influence de drogues ou d'alcool.**
- Assurez-vous que les enfants et d'autres spectateurs soient à une distance de sécurité pendant le fonctionnement de la presse d'atelier.

INSPECTION

- Examinez la presse d'atelier soigneusement avant chaque usage. Assurez-vous que la presse d'atelier ne soit pas endommagée, avec une usure excessive, ou qu'il y ait des pièces manquantes.
- N'utilisez pas la presse d'atelier à moins qu'elle soit bien lubrifiée.
- L'utilisation d'une presse d'atelier qui n'est pas propre et en bon état de fonctionnement ou bien lubrifiée peut entraîner des blessures graves.
- Examinez la zone de travail avant chaque usage. Assurez-vous qu'il n'y ait aucun danger potentiel.

IL VOUS EST CONSEILLÉ DE NE PAS UTILISER OU RÉPARER CET ÉQUIPEMENT AVANT DE LIRE CE MANUEL.

Afin de maintenir la Presse d'Atelier et d'assurer la sécurité de l'utilisateur, la responsabilité du propriétaire est à lire et à suivre ces instructions. Inspectez la presse d'atelier pour vous en assurer un bon fonctionnement et utilisation. Conservez les instructions facilement accessibles pour les opérateurs de l'équipement.

Assurez-vous que tous les opérateurs de l'équipe soient correctement formés et qu'ils comprennent comment utiliser le produit correctement et en toute sécurité. Permettez le fonctionnement de l'appareil uniquement avec toutes les parties en place et fonctionnant en toute sécurité. N'utilisez que des pièces de remplacement authentiques. Entretenez et maintenez l'unité uniquement avec des pièces de rechange autorisées ou approuvées ; la négligence fera que la presse d'atelier devienne dangereuse et annulera la garantie. Inspectez soigneusement l'appareil régulièrement et effectuez tout l'entretien au besoin. Conservez ces instructions dans la poignée de votre presse d'atelier. Assurez-vous que tous les autocollants sur l'appareil soient propres et visibles.

Sécurité : agissez toujours conformément aux mesures de sécurité lors de l'installation et du fonctionnement de cette presse d'atelier. Assurez-vous que tous les autocollants sur l'appareil soient propres et visibles. Avant de continuer, assurez-vous que vous comprenez et saisissez parfaitement la totalité de ce manuel. Si l'équipement n'est pas utilisé comme indiqué dans le manuel, il peut entraîner la mort ou des blessures. Le distributeur n'est pas responsable des dommages ou des blessures provoqués par une mauvaise utilisation ou une négligence.

MARQUAGES DE SÉCURITÉ

AVERTISSEMENT!

1. Étudiez, comprenez et suivez toutes les instructions avant de faire fonctionner cet appareil.
2. Ne dépassez pas la capacité nominale.
3. Avant d'utiliser, assurez-vous que la presse soit bien ancrée.
4. La presse doit être installée et utilisée conformément aux normes de sécurité fédérales (OSHA), de l'état et locales.
5. Assurez-vous que la zone de travail soit propre et qu'il n'y ait aucun danger avant le fonctionnement.
6. Les opérateurs et les observateurs devront utiliser protection des yeux en conformité avec les normes ANSI Z87.1 et OSHA.
7. Gardez vos mains, vos bras, vos pieds et vos jambes éloignés de la zone de travail. Le glissement accidentel peut entraîner des blessures.
8. Utilisez un dispositif de protection approprié afin de retenir toute pièce qui puisse se casser ou s'en voler lorsque vous exercez de la force.
9. Utilisez seulement les accessoires de presse qui aient une puissance nominale égale ou plus élevée que celle de la presse.
10. Vérifiez que les câbles de levage soient lâches avant d'appuyer sur la plaque d'appui.
11. Évitez les charges qui ne sont pas bien centrées.
12. Aucune modification ne pourra être apportée à ce produit.
13. N'utilisez pas cette presse à toute autre fin qui ne soit pas celle pour laquelle elle a été conçue.
14. Ne pas comprendre ces avertissements ou ne pas en tenir compte peut entraîner des blessures, des dommages matériels, ou tous les deux.

CONSIGNES GÉNÉRALES DE SÉCURITÉ

VEUILLEZ LIRE CES INSTRUCTIONS ATTENTIVEMENT. REMARQUEZ LES CONSIGNES DE SÉCURITÉ ET LES AVERTISSEMENTS. UTILISEZ LE PRODUIT DE FAÇON CORRECTE ET SOIGNEUSEMENT POUR LES FINS POUR LESQUELS IL A ÉTÉ CONÇU. NE PAS EN TENIR COMPTE PEUT ENTRAÎNER DES BLESSURES ET/OU DES DOMMAGES MATÉRIELS. VEUILLEZ CONSERVER CE MANUEL D'INSTRUCTIONS POUR UTILISATION FUTURE.

Nous avons fait de notre mieux pour assurer que cette presse offre la meilleure sécurité, mais vous devez faire votre part. Votre bon jugement ne peut pas être remplacé par aucun avertissement, donc assurez-vous que cela soit la première chose que vous en apportez à tout travail. De toute façon, voici quelques conseils incontournables :

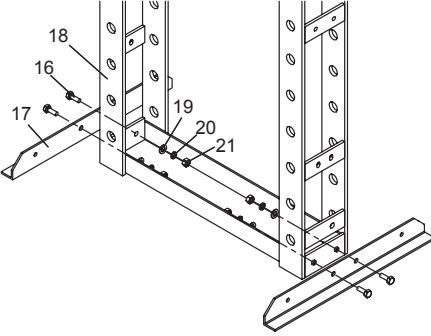
- L'acier et d'autres matériaux peuvent voler en éclats, donc utilisez toujours des lunettes de protection approuvées par ANSI.
- Si vous remarquez quelque chose qui puisse signaler une défaillance structurelle imminente, cessez immédiatement d'utiliser la presse et faites une inspection minutieuse.
- Boulonnez la presse au sol si elle sera utilisée avec des objets volumineux ou instables.
- N'utilisez pas la presse pour compresser des ressorts ou toute autre chose qui puisse se dégager et sauter en représentant un risque potentiel.
- Utilisez cette presse pour les fins pour lesquelles elle a été conçue. Ne l'utilisez pas à toute autre fin qui ne soit pas celle pour laquelle elle a été conçue.
- Assurez-vous que les enfants et toutes autres personnes non autorisées soient éloignées de la zone de travail.
- Attachez tout vêtement qui ne soit pas bien serré au corps. Enlevez toute cravate, montre, bague, et tout autre bijou pas serré, et retenez et attachez les cheveux longs.
- Utilisez des lunettes de sécurité antichocs approuvées par ANSI, blindage de sécurité intégrale et des gants de travail résistants lors de l'utilisation de la presse.
- Veillez à avoir un bon équilibre et appui, n'essayez pas d'atteindre des objets qui soient trop loin, et portez des chaussures antidérapantes.
- Utilisez cette presse seulement sur une surface stable, lisse, sèche et antidérapante, et capable de supporter la charge. Maintenez la surface propre, ordonnée et libre de matériaux qui ne soient pas y liés, et assurez-vous que l'éclairage soit adéquat.
- Examinez la presse avant chaque usage. Ne l'utilisez pas si vous remarquez qu'elle est pliée, cassée, endommagée ou avec des fuites. Ne l'utilisez pas si vous remarquez des parties douteuses ou si la presse d'atelier a été soumise à une charge de choc.
- Vérifiez que tous les boulons et écrous soient bien serrés.
- Assurez-vous que la pièce à travailler soit bien centrée et sécurisée.
- Gardez les mains et les pieds loin de la zone de la table à tout moment.
- N'utilisez pas la presse d'atelier pour compresser des ressorts ou toute autre chose qui puisse se dégager et sauter en représentant un risque potentiel. Ne vous mettez jamais en face de la presse lorsqu'elle a de la charge et ne jamais laissez la presse chargée sans surveillance.
- N'utilisez pas cette presse quand vous êtes fatigué, sous l'influence de drogues, d'alcool ou de médicaments.
- Ne permettez pas que des personnes non entraînées utilisent cette presse.
- Ne faites aucune modification à cette presse.
- N'utilisez pas de liquide pour freins ou tout autre fluide inapproprié et évitez de mélanger des types différents d'huile lorsque vous ajoutez de l'huile hydraulique. Utilisez seulement de l'huile hydraulique pour crics de première qualité.
- N'exposez pas la presse à la pluie et au mauvais temps.
- Si la presse a besoin de réparation et/ou de pièces de rechange, contactez un technicien autorisé et utilisez seulement les pièces de rechange du fabricant lors de la réparation.

ATTENTION! Les avertissements, les mises en garde et les instructions décrites dans ce manuel ne peuvent pas couvrir toutes les conditions et les situations pouvant arriver. L'opérateur doit comprendre que le bon sens et la prudence sont des facteurs qui ne peuvent pas être intégrés à ce produit, mais qui doivent être fournis par l'opérateur.

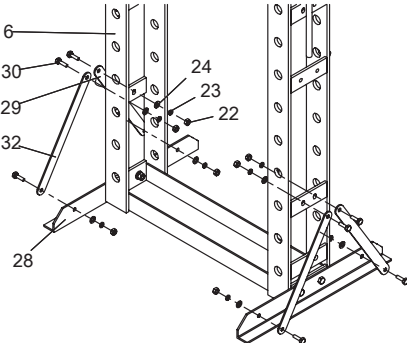
MONTAGE

Tous les numéros entre parenthèses () font référence au numéro de classement des pièces.

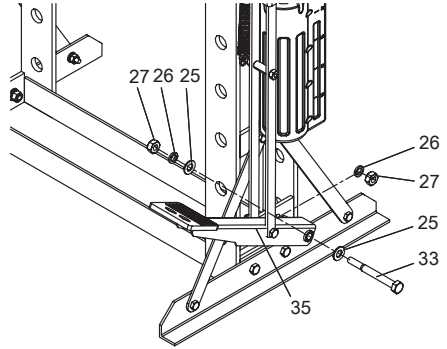
1. Attachez la base (28) à l'assemblage du châssis (6) avec boulon (31), rondelle (19), rondelle élastique (23) et écrous (22).



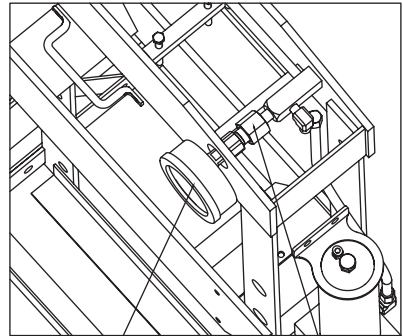
2. Attachez la barre de support n°1 (29) et la barre de support n°2 (32) à la base (28) et à l'assemblage du châssis (6) avec le boulon (30), la rondelle (24), la rondelle élastique (23) et les écrous (22).



3. Attachez soigneusement la pédale de l'unité d'alimentation (35) à la structure (6) avec rondelle (25), rondelle élastique (26), écrou (27) et boulon (33). Assurez-vous que l'unité d'alimentation (35) soit solidement installée.

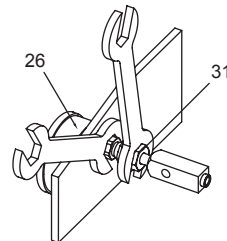


4. Installez le manomètre (26) dans la partie supérieure du châssis (18), avec un écrou bas M20 (31). Serrez le manomètre manuellement (26) avec écrou M20 (31) et assurez-vous que le manomètre à cadran est tourné vers le haut. Serrez bien le manomètre.

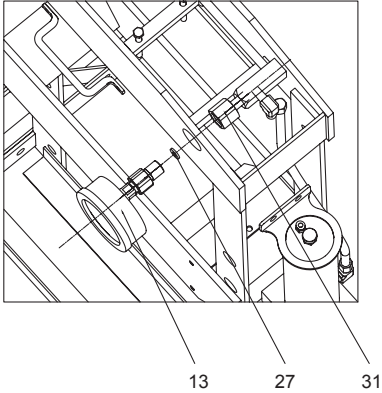


26

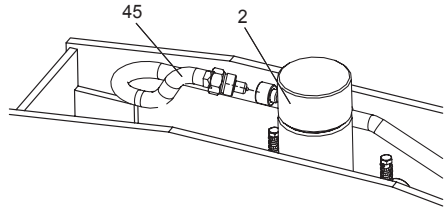
31



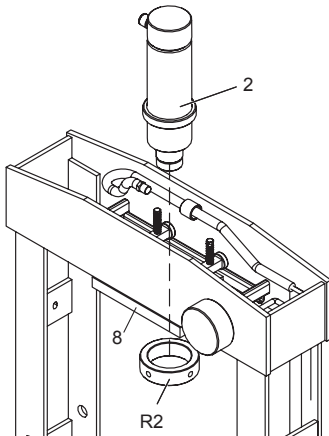
5. Placez l'embout du tuyau hydraulique sur l'assemblage du tuyau (31). Installez le joint torique (27) dans la rainure de l'embout du raccord du tuyau (31). Puis connectez le tuyau hydraulique (31) au manomètre (13). Serrez bien l'embout du tuyau (31) sur le manomètre (13).



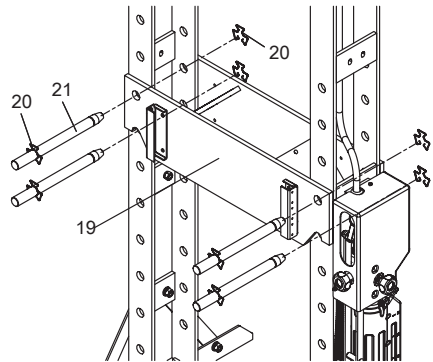
7. Connectez le raccord mâle du tuyau hydraulique (33) à l'assemblage du cylindre (2).



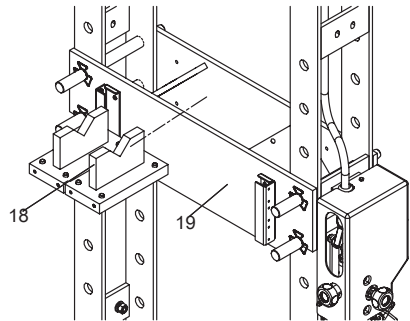
6. Insérez l'ensemble du cylindre (2) depuis la partie supérieure de la structure. Une fois inséré le cylindre dans la base (8), vérifiez que la rondelle de levage soit bien placée dans la base (8). Puis, fixez l'écrou (R2) à l'ensemble du cylindre.. Tournez à droite l'écrou (R2) dans le piston et serrez fermement l'écrou (R2).



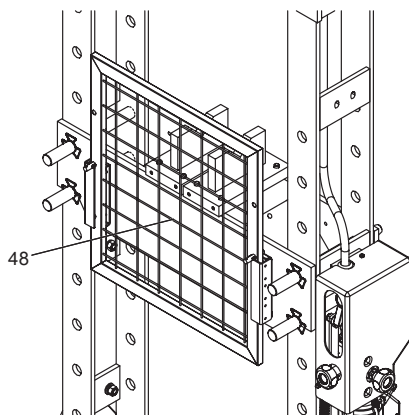
8. Soulevez soigneusement la traverse inférieure (19) et fixez-la avec les goupilles de soutien (21) et des anneaux de retenue à fil rond (20).



9. Mettez les plateaux mobiles (18) sur la traverse inférieure (19).



10. Mettez la clôture (48) sur la structure selon besoin.



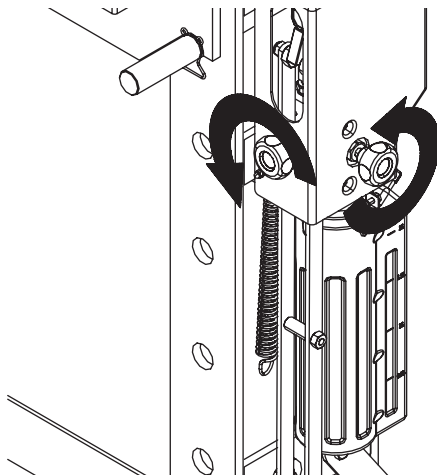
11. La presse est maintenant prête à être utilisée.

PROCÉDURE DE PURGE D'AIR DU CIRCUIT

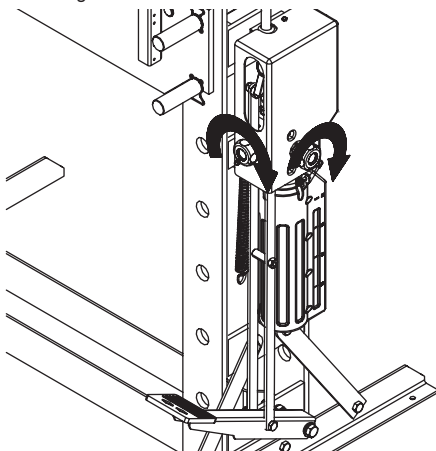
IMPORTANT : AVANT LA PREMIÈRE UTILISATION

Tous les numéros entre parenthèses () font référence au numéro de classement des pièces. Effectuez la suivante procédure de purge d'air afin de retirer l'air qui puisse avoir été introduit dans le système hydraulique à la suite de l'expédition et la manipulation du produit. Cette étape doit être remplie sans aucun poids sur le cric.

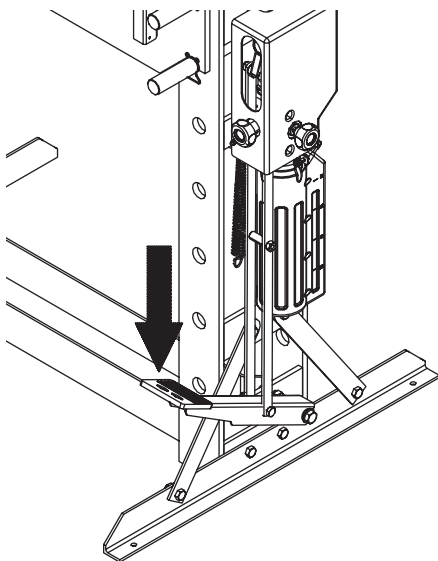
1. Tournez la soupape d'évacuation dans le sens contraire des aiguilles d'une montre afin de relâcher la pression dans la pompe et le tuyau.



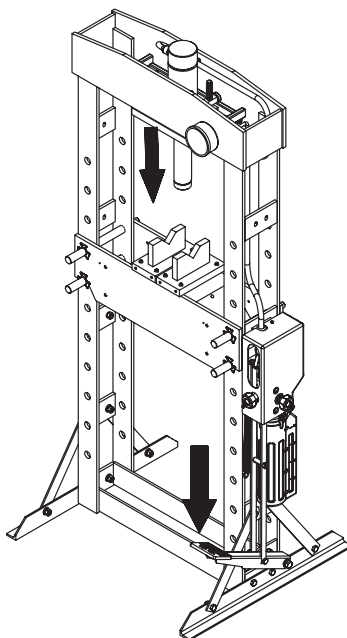
3. Fermez bien la soupape d'évacuation et la soupape rapide/lente en la tournant dans le sens des aiguilles d'une montre.



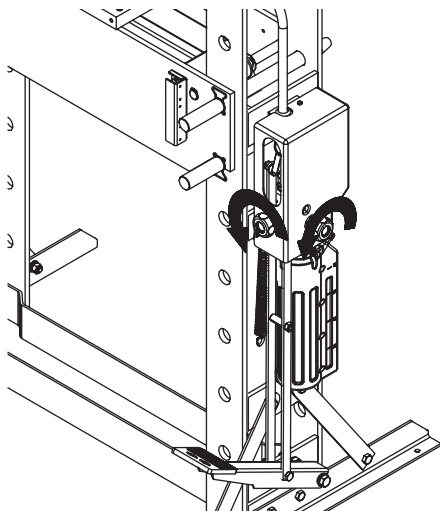
2. Appuyez rapidement 10 fois sur la pédale afin de faire sortir l'air du système hydraulique.



4. Appuyez sur la pédale afin de rallonger un peu la tige du piston.

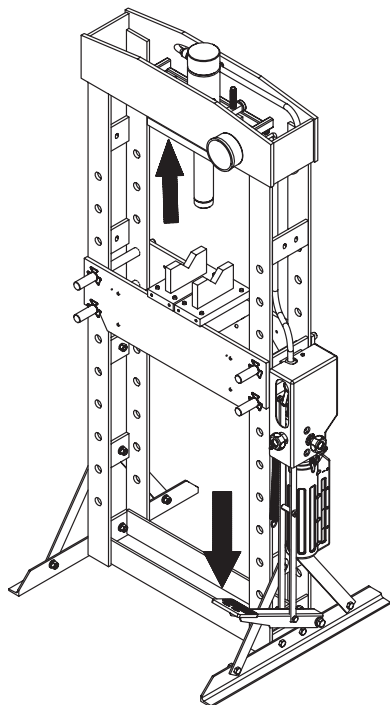


5. Tournez la soupape d'évacuation et la soupape rapide/lente dans le sens contraire des aiguilles d'une montre.



7. Veuillez contacter le fabricant pour demander de l'aide si la pompe hydraulique ne fonctionne pas après avoir fait les opérations ci-dessus à plusieurs reprises.

6. Puis appuyez sur la pédale rapidement, lorsque la tige du piston est en train de retourner jusqu'à ce qu'elle retourne à la position originale afin de faire sortir l'air du système hydraulique.



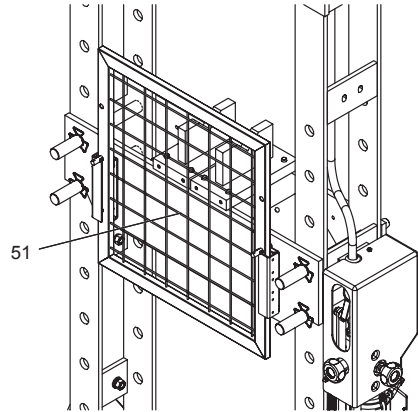
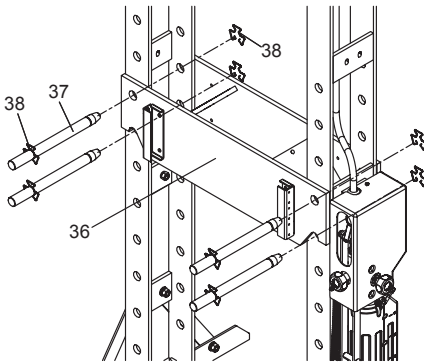
AVANT L'UTILISATION

1. Avant d'utiliser ce produit, lisez entièrement le manuel du propriétaire et familiarisez-vous complètement avec le produit et les dangers qui se rapportent à son utilisation inappropriée.
2. Effectuez le procédé de purge d'air. (Voir les instructions précédentes pour le procédé de purge d'air).
3. Inspectez le cric avant chaque utilisation. Ne l'utilisez pas s'il y a des composants, pliés, brisés ou fissurés.

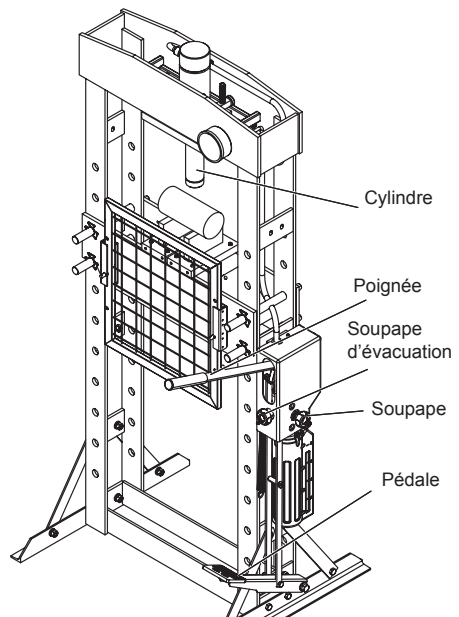
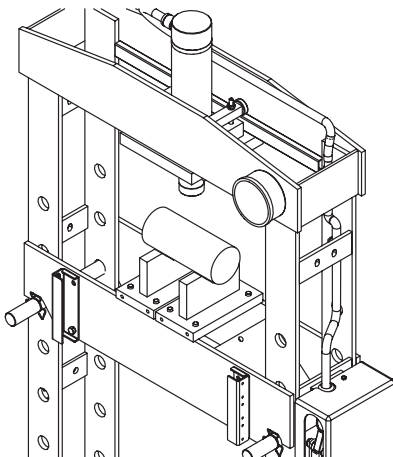
OPÉRATION

Tous les numéros entre parenthèses () font référence au numéro de classement des pièces.

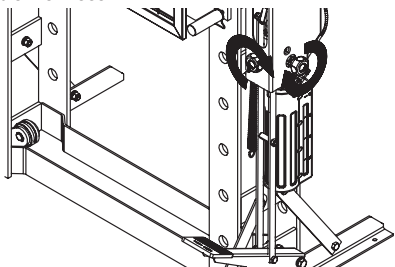
1. Soulevez soigneusement la traverse inférieure (36) et fixez-la avec les goupilles de soutien (37) et des anneaux de retenue à fil rond (38).
3. Mettez la clôture (51) sur l'encadrement selon besoin.



2. Mettez les plateaux mobiles (35) sur l'encadrement. Mettez la pièce à travailler sur l'encadrement ou sur le bloc de pressage. Agissez avec précaution afin d'assurer la sécurité et d'éviter des accidents. Positionnez la pièce à travailler de façon à empêcher qu'elle tombe accidentellement de l'encadrement ou du bloc de pressage.
4. Familiarisez-vous avec le produit.



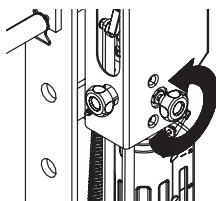
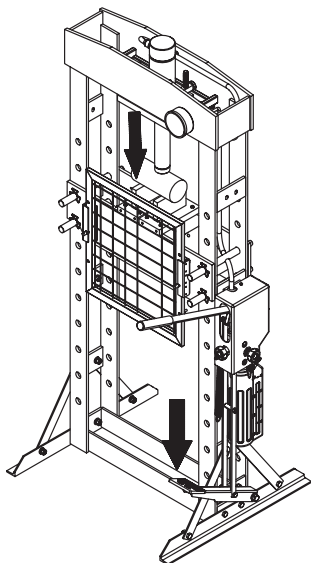
5. Fermez la soupape d'évacuation et la soupape rapide/lente en les tournant dans le sens des aiguilles d'une montre jusqu'à ce qu'elles soient bien fermées.



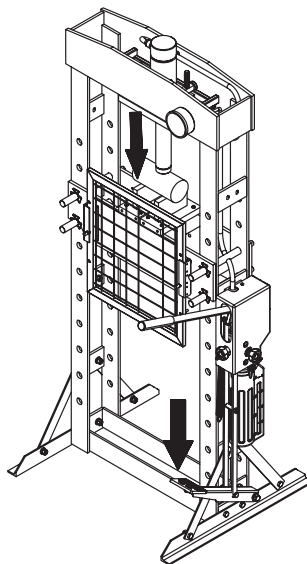
6. Pompez la poignée ou la pédale jusqu'à ce que la crémaillère s'approche de la pièce à travailler. Puis, ouvrez la soupape rapide/lente en la tournant dans le sens contraire des aiguilles d'une montre.

7. Maintenez le vérin et la pièce à travailler bien alignés afin d'assurer qu'elle soit bien centrée.

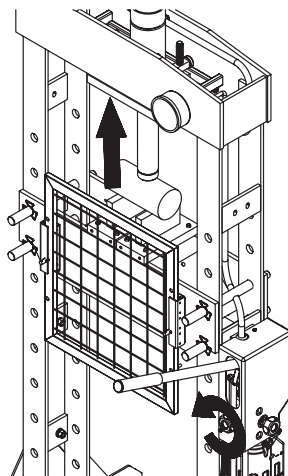
REMARQUE: Stabilisez la pièce à travailler de façon à empêcher qu'elle ne tombe accidentellement de l'encadrement quand la charge est enlevée.



8. Alignez le vérin et la pièce à travailler afin d'assurer qu'elle soit bien centrée. Pompez la poignée ou la pédale. Ne surchargez pas la pièce à travailler.



9. Lorsque le travail est fini, arrêtez de pomper la poignée. Puis lentement tournez la soupape d'évacuation dans le sens contraire des aiguilles d'une montre jusqu'à ce que le vérin soit libre de la pièce à travailler.
10. Quand le vérin est complètement rétracté, enlevez la pièce à travailler de l'encadrement. Retirez soigneusement la pièce à travailler de la presse.



INSTRUCTIONS D'ENTRETIEN

Si vous utilisez et effectuez bien l'entretien de votre équipement, il vous rendra service pendant de nombreuses années. Suivez attentivement les directives d'entretien pour conserver votre équipement en bon état de fonctionnement. N'effectuez jamais d'entretien sur l'équipement pendant qu'il est sous charge.

Inspection

Vous devez inspecter le produit pour tout dommage, usure, pièces brisées ou manquantes (par ex. les goupilles) et vérifier que tous les composants fonctionnent avant chaque utilisation. Suivez les directives de lubrification et de rangement pour obtenir une performance optimale.

Grippage

Si le produit grippe lorsqu'il est sous charge, utilisez un équipement possédant une charge nominale égale ou supérieure pour abaisser sans danger la charge au sol. Après le dégrillage, nettoyez, lubrifiez et faites l'essai de l'équipement pour voir s'il fonctionne bien. Les composants rouillés, la saleté ou des pièces usées peuvent provoquer le grippage. Nettoyez et lubrifiez l'équipement selon les directives de la section de lubrification. Faites l'essai de l'équipement en soulevant sans charge. Si le grippage continue, communiquez avec le Service à la clientèle.

Nettoyage

Si les pièces mobiles de l'équipement sont colmatées, utilisez un solvant de nettoyage ou un autre bon agent de dégraissage pour nettoyer l'équipement. Enlevez la rouille existante à l'aide d'une huile pénétrante.

GRAISSAGE

Cet équipement ne fonctionne pas sans une lubrification appropriée. L'utilisation de l'équipement sans lubrification appropriée offre une performance réduite et cause des dommages à l'équipement. Certaines pièces d'équipement ne sont pas autolubrifiées; inspectez donc l'équipement avant de l'utiliser et lubrifiez-le au besoin. Après le nettoyage, lubrifiez l'équipement en utilisant une huile pénétrante légère de haute qualité ou un aérosol lubrifiant.

- Utilisez un bon lubrifiant sur toutes les pièces mobiles.
- Pour une utilisation réduite, graissez une fois par mois.
- Dans le cas d'un usage constant et intense, il est recommandé de lubrifier toutes les semaines.
- N'UTILISEZ JAMAIS DE PAIER VERRE OU DE MATÉRIAU ABRASIF SUR CES SURFACES!

Prévention de la rouille :

Vérifiez tous les jours les poussoirs et les pistons de pompe sur le mécanisme de levage pour y découvrir tout signe de rouille ou de corrosion.

Sans charge sur l'équipement, étendez les vérins hydrauliques pour vérifier qu'il n'y a pas de signes de corrosion ; nettoyez-les au besoin.

Graisseurs

Certains modèles possèdent des graisseurs qui doivent être graissés et lubrifiés régulièrement.

Fonctionnement du vérin

Lorsque la soupape d'évacuation est fermée, un mouvement ascendant de la poignée du cric tire de l'huile du réservoir et la déverse dans la cavité du piston plongeur. La pression hydraulique maintient la soupape fermée et garde l'huile dans la cavité du piston plongeur. Le mouvement descendant de la poignée du cric libère l'huile, qui se déverse dans le cylindre, et force le vérin vers l'extérieur. Ceci étend le vérin. Quand le vérin atteint son extension maximale, l'huile est à nouveau dérivée dans le réservoir pour empêcher une course trop étendue du vérin et des dommages potentiels au vérin. L'ouverture de la soupape d'évacuation permet à l'huile de s'écouler à nouveau dans le réservoir. Ceci libère la pression hydraulique du vérin et permet d'abaisser le vérin.

Rangement du cric

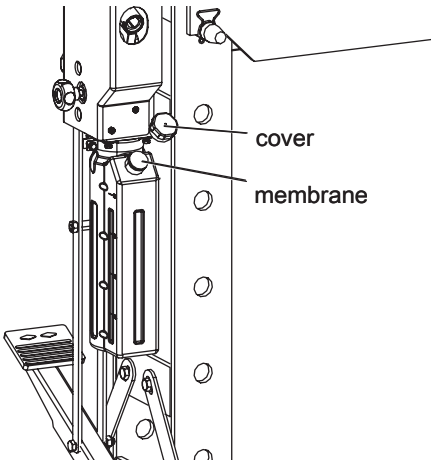
1. Rétractez le vérin complètement après l'usage.
2. Placez le levier en position verticale.
3. Rangez dans un endroit sec. On recommande à l'intérieur.

Remarque : *Si la presse est rangée à l'extérieur, assurez-vous de lubrifier toutes ses parties avant et après l'usage pour vous assurer que la presse soit toujours en bon état de fonctionnement.*

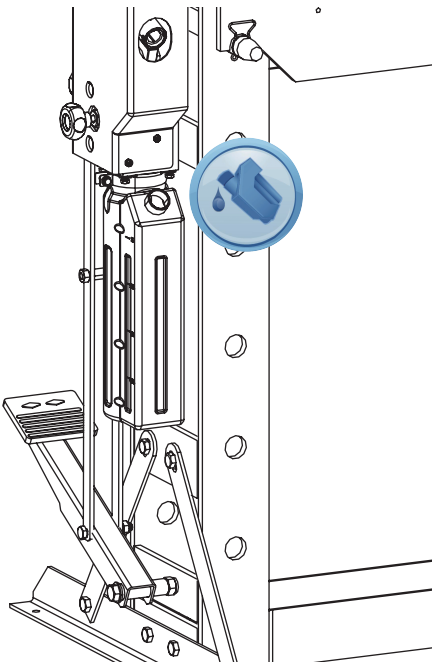
AJOUT D'HUILE AU CRIC

L'assemblage du cylindre hydraulique contient du fluide hydraulique qui doit toujours être maintenu approximativement 80% plein pour un bon fonctionnement. Afin de vérifier le niveau et de le remplir, enlevez le bouchon de remplissage d'huile.

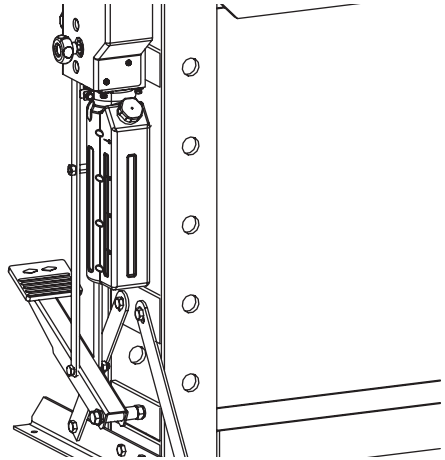
1. Rétractez complètement le vérin hydraulique.
2. Retirez le couvercle et la membrane.



3. Remplissez le carter jusqu'à ce que le niveau d'huile soit près de 1.8L de la cuvette à huile **VEUILLEZ À CE QU'IL N'Y AIT PAS DE SALETÉS OU D'AUTRES MATÉRIEAUX PENDANT LE VIDANGE.**



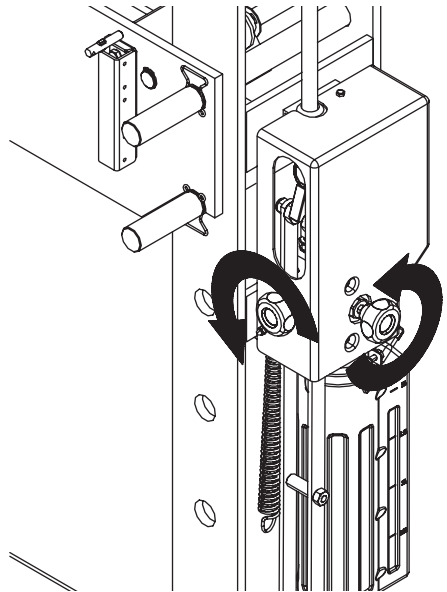
4. Remettez la membrane.



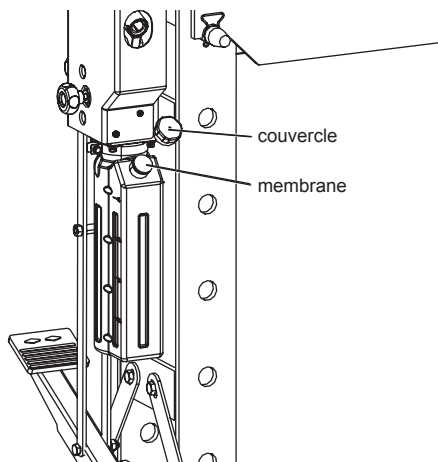
5. Effectuez la procédure de purge d'air.

VIDANGE D'HUILE DU CRIC

1. Mettez la pompe dans la position verticale et rétractez complètement le vérin hydraulique.
2. Ouvrez la soupape de sécurité en tournant le levier en sens antihoraire (4 tours complets).

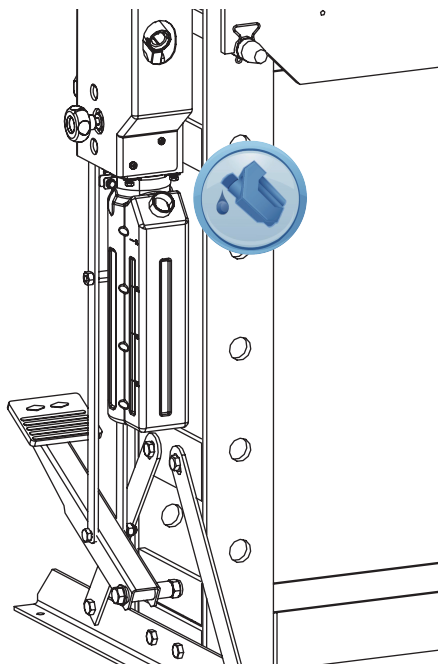


3. Retirez le couvercle et la membrane.

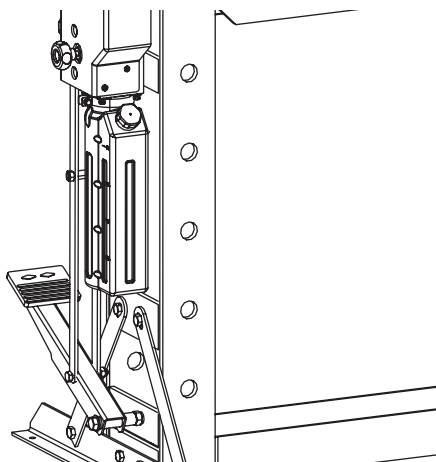


4. Retournez le cric sur le côté pour vidanger l'huile à partir du trou de remplissage d'huile. Remarque: Traitez le fluide hydraulique conformément aux règlements en vigueur.

5. Remplissez le carter jusqu'à ce que le niveau d'huile soit près de 1.8L de la cuvette à huile. ÉLOIGNEZ LA SALETÉ ET LES AUTRES CORPS ÉTRANGERS LORS DU REMPLISSAGE.



6. Remettez la membrane.



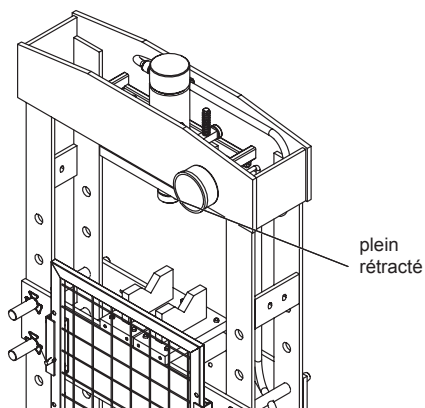
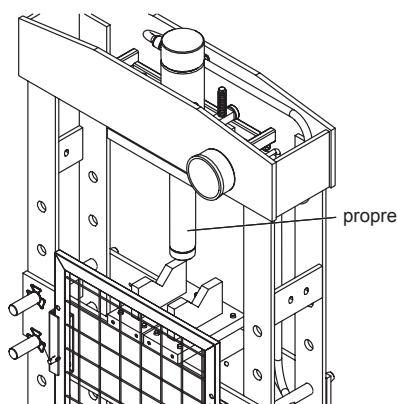
7. Effectuez la procédure de purge d'air.

▲ AVERTISSEMENTS SUPPLÉMENTAIRES :

- N'UTILISEZ PAS D'HUILE MOTEUR DANS LE CRIC.
- N'UTILISEZ QUE DE L'HUILE ANTI-MOUSSANTE POUR CRIC.
- UTILISEZ TOUJOURS UNE HUILE HYDRAULIQUE POUR CRIC DE BONNE QUALITÉ.
- N'UTILISEZ PAS DE LIQUIDE HYDRAULIQUE POUR FREINS, D'ALCOOL, DE GLYCÉRINE, DE DÉTERGENT, D'HUILE MOTEUR OU D'HUILE SALE.
- L'UTILISATION D'UN LIQUIDE NON RECOMMANDÉ PEUT ENDOMMAGER LE CRIC.
- ÉVITEZ DE MÉLANGER DIFFÉRENTS TYPES DE LIQUIDES ET N'UTILISEZ JAMAIS DE LIQUIDE DE FREIN, D'HUILE POUR TURBINE, D'HUILE DE TRANSMISSION, D'HUILE MOTEUR OU DE GLYCÉRINE. UN LIQUIDE IN APPROPRIÉ PEUT PROVOQUER LA DÉFAILLANCE PRÉMATURÉE DU CRIC ET LA POSSIBILITÉ D'UNE PERTE IMMÉDIATE ET SOUDAIN DE LA CHARGE.
- ÉLIMINEZ LE LIQUIDE HYDRAULIQUE CONFORMÉMENT À LA RÉGLEMENTATION LOCALE.

LUBRIFICATION

L'application périodique d'une couche d'huile de graissage légère sur le pivot aidera à assurer que le piston de la pompe bouge librement. Remarque : Ne jamais appliquez de l'huile sur la selle. Si les filets d'extension de la selle ont besoin de lubrification, nettoyez les surfaces des filets avec un chiffon propre et sec, puis appliquez une goutte de graisse à roulement sur les filets. Distribuez-la le plus uniformément possible tout au long du montant à la tige filetée.

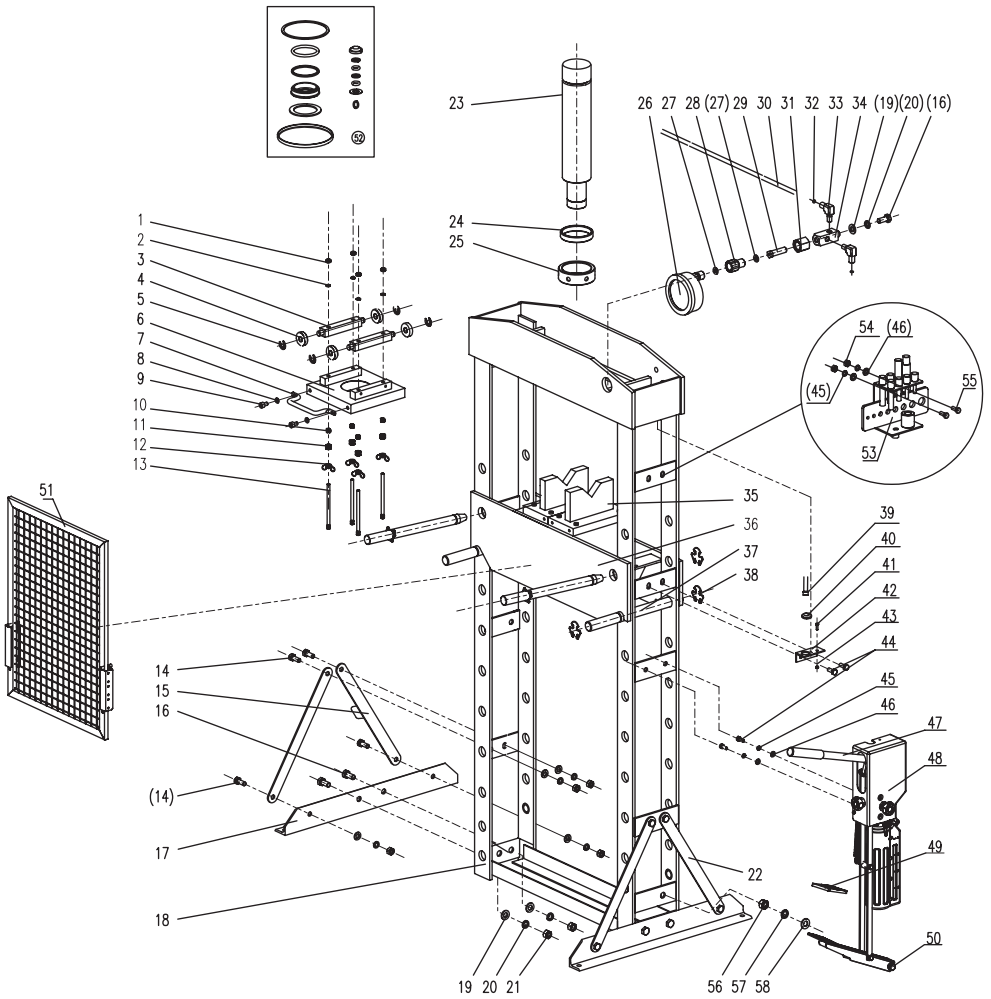


DÉPANNAGE

LE VÉRIN NE FAIT PAS DE PRESSION SUR LA CHARGE	LE VÉRIN RÉDUIT LA PRESSION APRÈS LE FONCTIONNEMENT DE LA PRESSE	LE VÉRIN NE SE RETRACTE PAS APRÈS LA DÉCHARGE	MAUVAISE PERFORMANCE DE LEVAGE	LE VÉRIN NE S'ÉTEND PAS COMPLÈTEMENT	CAUSES ET SOLUTIONS
X	X		X		La soupape d'évacuation n'est pas complètement fermée. Assurez-vous que la soupape d'évacuation soit bien fermée.
X					Condition de surcharge. Corrigez la condition de surcharge
X	X		X		Mauvais fonctionnement de l'unité d'alimentation. Remplacez l'unité d'alimentation.
		X	X		Le réservoir est trop plein. Enlevez la pompe, puis vidangez le liquide jusqu'à obtenir un niveau adéquat.
		X			Coincement de la tringlerie Nettoyez et lubrifiez les parties mouvantes.
X				X	Bas niveau de liquide Assurez-vous que le niveau de liquide soit adéquat.
X			X	X	Air piégé dans le système . Purgez l'air du système.

La température de fonctionnement sécuritaire se situe entre 4°C et 41°C (40°F et 105°F)

SCHÉMA DE MONTAGE



RÉF n°	PARTIE n°	DESCRIPTION	QUANTITÉ
1		Écrous M8	4
2		Rondelle élastique M8	4
3		Axe du rouleau	2
4		Palier 6201-2Z	4
5		Anneau élastique pour axe M15	4
6		Base du cylindre	1
7		Poignée pour mouvement du cylindre	1
8		Rondelle élastique M8	2
9		Vis d'assemblage à six pans creux M8X10	2
10		Ressort	4
11		Gaine de ressort	4
12		Écrou à oreilles M8	4
13		Vis réformée	4
14		Vis M12X30	4
15		Barre de support	1
16		Vis M12X35	9
17		Base	2
18		Assemblage du châssis	1
19		Rondelle élastique M12	16
20		Rondelle M12	12
21		Écrous M12	12
22		Barre de support	3
23	TY20028.1	Assemblage du cylindre	1
24		Chemise du cylindre	1
25		Chemise de la base du cylindre	1
26	TY20021-02	Manomètre	1
27	TY20021.1-15	Fermeture d'étanchéité rectangulaire	2
28	TY20021-08a	Connecteur du manomètre	1

RÉF n°	PARTIE n°	DESCRIPTION	QUANTITÉ
29		Tube pour raccord avec manomètre	1
30		Tuyau	1
31		manomètre écrou de retenue	1
32	TY20021-12	Bague d'étanchéité M5X1,8	5
33		Jointes des tuyaux	2
34		Jointe du conduit collecteur	1
35	TY20021.3	Plateaux mobiles	2
36		Traverse inférieure	1
37	TY20021-05	Goupille de soutien	2
38	TY20021-14	Anneau de retenue d'aile	4
39		Tube pour raccord avec pompe	1
40		Manchon de fixation des tubes	1
41		Boulon M5x16	1
42		Plaque fixe	1
43		Rondelle M5	1
44		Vis M10X25	7
45		Rondelle élastique M10	12
46		Rondelle M10	12
47	TY20030.1-07	Poignée	1
48	TY20030.1	Assemblage de l'unité d'alimentation	1
49	TY20030-04	Tapis-contact	1
50		Vis M14X120	1
51	TY20021F.11	Clôture	1
52	TY20030D.MF	Kit d'étanchéité	1
53	TY20021.6	Écarteur	1
54		Écrous M10	10
55		Vis M10X30	2
56		Écrous M14	4
57		Rondelle élastique M10	4
58		Rondelle M14	4

GARANTIE

Ce équipement est couvert par une garantie limitée d'un (1) an lorsqu'il est utilisé conformément aux recommandations. Seuls ces articles énumérés à l'aide d'un numéro de pièce sont disponibles pour achat. Pour obtenir de l'aide quant au fonctionnement ou à la disponibilité des pièces de rechange, communiquez avec notre Service des pièces et de garantie au 1-888-44-TORIN (1-888-448-6746). Ayez en main une copie de votre reçu, le numéro de modèle du produit, son numéro de série ainsi que des détails particuliers concernant votre question.

Ce ne sont pas tous les composants qui sont disponibles pour remplacement; les illustrations fournies offrent une référence commode quant à leur emplacement et à leur position dans la séquence de montage.

Le fabricant se réserve le droit de modifier la conception du produit ou d'apporter sans préavis des améliorations aux gammes de produits et aux manuels.

INFORMATION RELATIVE À LA GARANTIE

Nous voulons savoir si nos produits vous posent des inquiétudes. Dans ce cas, appelez le numéro sans frais pour obtenir une aide immédiate. Pour toutes questions supplémentaires visant le service à la clientèle sur le Web, visitez la section du Service à la clientèle à l'adresse : <http://www.torin-usa.com>.

GARANTIE LIMITÉE D'UN AN DE TORIN

Torin Inc.[®] fabrique des produits de réparation et d'entretien automobile de qualité depuis 1968. Tous les produits vendus sont de la meilleure qualité et sont couverts par la garantie suivante:

Pendant un an à compter de la date d'achat et accompagné de la preuve d'achat, le fabricant réparera ou remplacera, à sa discrétion et sans frais, l'un de ses produits ou pièces endommagées qui est devenue défectueuse à la suite d'un défaut de matériau ou de main-d'œuvre. La garantie ne couvre pas les dommages ou défauts provoqués par une utilisation inappropriée, une utilisation négligente ou abusive de l'équipement. La garantie ne couvre pas les pièces qui peuvent normalement s'user ou être consommées pendant l'utilisation normale de l'équipement. Sauf lorsque des limitations et exclusions sont interdites spécifiquement par la loi applicable, le (1) SEUL ET EXCLUSIF RECOURS DU CONSOMMATEUR SERA LA RÉPARATION OU LE REMPLACEMENT DU PRODUIT DÉFECTUEUX DÉCRIT CI-DESSUS et (2) LE FABRICANT NE SERA EN AUCUN CAS RESPONSABLE DE DOMMAGES INDIRECTS OU CONSÉCUTIFS OU DE TOUTE PERTE et (3) LA DURÉE DE TOUTES GARANTIES ÉCRITES OU IMPLICITES, Y COMPRIS, SANS S'Y LIMITER, TOUTES GARANTIES DE COMMERCIALITÉ ET D'APTITUDE À UN BUT PARTICULIER, EST LIMITÉE À UNE PÉRIODE D'UN AN À COMPTER DE LA DATE D'ACHAT. La modification du produit de quelque façon que ce soit par un tiers autre que nous, à la seule exception de modifications effectuées en conformité de directives relatives au produit et d'une façon adaptée. Vous reconnaissez et convenez que toute utilisation du produit dans un but autre que l'emploi spécifié et énoncé dans les directives relatives au produit se fait à vos propres risques.

Vérifiez toujours s'il y a des pièces endommagées ou usées avant d'utiliser tout produit. Des pièces brisées influenceront sur le fonctionnement de l'équipement. Remplacez et réparez immédiatement les pièces endommagées ou usées. Ne modifiez d'aucune façon le produit. Une modification non autorisée peut nuire au fonctionnement ou à la sécurité et peut influencer sur la durée de vie de l'équipement. Il existe des applications particulières pour lesquelles ce produit est conçu et testé en cours de production. Les articles garantis et fournis par le fabricant ne doivent pas être réparés par un autre que le fabricant ou un réparateur agréé par le fabricant. Le distributeur n'est pas autorisé à modifier ces énoncés. Vous reconnaissez et convenez que toute modification du produit dans un but autre que les réparations effectuées par le fabricant se fait à vos propres risques. Avant d'utiliser ce produit, lisez entièrement le manuel du propriétaire et familiarisez-vous complètement avec le produit et les dangers qui se rapportent à son utilisation inappropriée.

IMPORTANT: AVANT LA PREMIÈRE UTILISATION sur tout appareil de levage, vérifiez si la vérification quotidienne a été effectuée et que tous les composants sont en bon ordre.

La présente garantie limitée vous donne des droits précis et vous pouvez aussi avoir d'autres droits qui peuvent varier d'état en état. Certains états ne permettent pas de limitations ou d'exclusions sur les garanties implicites ou de dommages directs ou consécutifs; les limitations précédentes peuvent donc ne pas s'appliquer à votre cas. La garantie limitée est réglemantée par les lois de l'état de Californie, sans égard aux règles relatives aux conflits juridiques. Les tribunaux d'état situés dans San Bernardino County en Californie auront la compétence exclusive en ce qui a trait à tout différent relatif à la présente garantie.

Le fabricant se réserve le droit d'effectuer sans préavis des modifications de conception ou des améliorations à cette gamme de produits ainsi qu'au manuel. Torin fera tous les efforts pour que des instructions complètes et exactes soient incluses dans le présent manuel. Cependant, il est possible que des mises à jour, des révisions ou des changements aient eu lieu depuis la présente impression. Torin Inc. se réserve le droit de modifier les spécifications sans encourir d'obligation envers l'équipement vendu antérieurement ou subséquemment. Les erreurs typographiques ne sont pas de la responsabilité du fabricant.

Par contre, il est possible de joindre le service à la clientèle à l'adresse www.torin-usa.com ou par courriel à info@torin-usa.com.

Ce ne sont pas tous les composants d'équipement qui sont disponibles pour remplacement, mais ils sont illustrés comme référence commode quant à leur emplacement et montage dans la séquence d'assemblage. Communiquez avec le service à la clientèle pour un composant équivalent. Lorsque vous communiquez avec nous, ayez sous la main le numéro de modèle du produit, le numéro de série et une description pour que nous puissions vous aider efficacement. Cette information se trouve sur un autocollant sur le produit.

Pour tout soutien quant à la garantie ou si votre équipement Torin[®] fonctionne mal, communiquez directement avec le Service à la clientèle Torin[®] au 1-888-44-TORIN (1-888-448-6746)

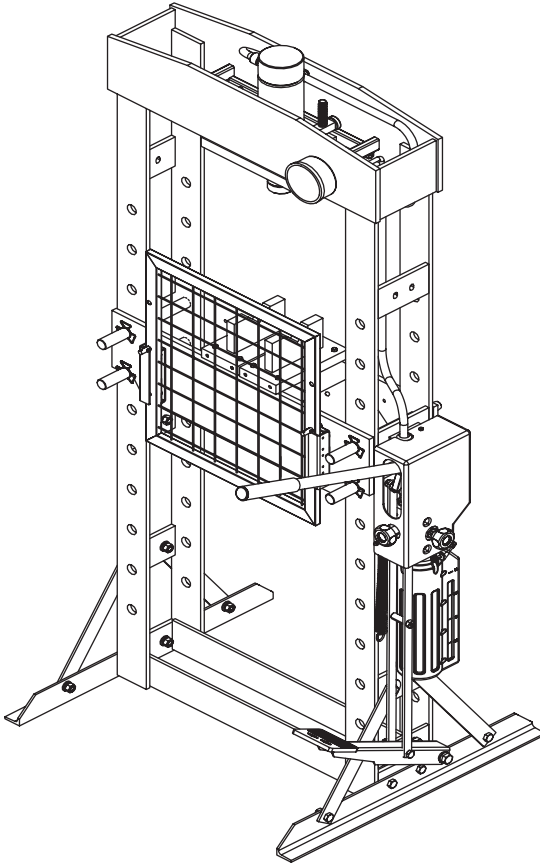
de 8 heures à 17 heures, heure du Pacifique, du lundi au vendredi



MANUAL DEL PROPIETARIO

PRENSA HIDRÁULICA DE TALLER - 30 TONELADAS

Elemento: TCE30030



▲ ADVERTENCIA!

¿Alguna pregunta o problema? ¿Le faltan piezas? Antes de recurrir a su distribuidor, llame a nuestro departamento de atención al cliente al 1-888-44-TORIN (1-888-448-6746) de lunes a viernes de 8 a. m. a 5 p. m. hora del Pacífico.

Lea atentamente y entienda todas las INSTRUCCIONES DE ENSAMBLAJE Y OPERACIÓN antes de utilizar el producto. Si no respeta las normas de seguridad y otras precauciones básicas de seguridad, pueden producirse lesiones personales graves.

IMPORTANTE

Antes de empezar, registre este producto.

Como referencia para el futuro, registre el nombre del modelo, el número del modelo, la fecha de fabricación y la fecha de compra de este producto. Puede encontrar esta información en el producto.

Nombre del modelo _____

Número del modelo _____

Fecha de fabricación _____

Fecha de compra _____

RESPONSABILIDAD DEL PROPIETARIO/USUARIO

NO UTILICE NI REPARE EL PRODUCTO SIN HABER LEÍDO ESTE MANUAL.

Lea y siga las instrucciones de seguridad. Ponga las instrucciones a disposición inmediata de los operadores. Asegúrese de que todos los operadores reciban el entrenamiento correspondiente y de que entiendan cómo utilizar el producto de forma segura y correcta. Al proceder, usted acepta que ha entendido y ha comprendido completamente la totalidad del contenido de este manual. Si no utiliza el producto correctamente, pueden producirse lesiones o la muerte. El fabricante no se hace responsable de ningún daño o lesión causados por uso inadecuado o negligencia. Utilice el producto solamente cuando todas las piezas estén en su lugar y funcionen de forma segura. Utilice solo piezas de repuesto originales. Realice una revisión y un mantenimiento del producto solo con las piezas de repuesto autorizadas o aprobadas; si se comete negligencia, no será seguro utilizar el producto y la garantía quedará anulada. Inspeccione cuidadosamente el producto con regularidad y realice todo mantenimiento que sea necesario. Guarde estas instrucciones en un lugar seco y protegido. Mantenga todas las calcomanías del producto limpias y visibles. No modifique el producto ni lo utilice para ninguna aplicación distinta a la que fue diseñado. Si tiene preguntas relacionadas a una aplicación en particular, NO utilice el producto hasta haberse contactado con el distribuidor o fabricante primero para determinar si dicha aplicación puede o debe realizarse en el producto.

Si tiene preguntas técnicas, llame al 1-888-448-6746.

USO DEBIDO

Este equipo está diseñado para su uso en talleres de reparación de automóviles, camiones, herramientas, de flotas de vehículos y talleres industriales donde se requieren tareas de prensado, doblado, enderezado y formado. Las aplicaciones típicas incluyen la instalación y remoción de alternadores, rodamientos de la bomba de la dirección hidráulica, cojinetes del eje, rodamientos de la transmisión, sellos, juntas en U y muchas otras tareas.

ESPECIFICACIONES TÉCNICAS

	Description
Elemento	TCE30030
Capacidad	30 TONELADAS
Rango de trabajo	2-3/8 ~ 37 pulg.
Longitud del recorrido	5-7/8 pulg.
Dimensiones internas de la mesa L x An.	20-1/16pulg x 5-1/4 pulg.
Dimensiones L x An. Alt.	28x22x66-5/8 pulg.
Interruptor a pedal incluido	NO
Cabestrante incluido	NO

REGLAS GENERALES DE SEGURIDAD

- ⚠ ADVERTENCIA:** Asegúrese de leer y entender todas las instrucciones. Si no sigue todas las instrucciones incluidas a continuación, pueden ocurrir lesiones graves.
- ⚠ PRECAUCIÓN:** No permita que ninguna persona opere o ensamble esta Prensa de Taller hasta que haya leído este manual y haya desarrollado un conocimiento profundo de cómo funciona la Prensa de Taller.
- ⚠ ADVERTENCIA:** Las advertencias, precauciones e instrucciones descritas en este manual de instrucciones no pueden cubrir todas las condiciones o situaciones posibles que pudieran ocurrir. El operador debe entender que el sentido común y la precaución son factores que no pueden incorporarse en el producto, sino que deben ser aportadas por el operador.

REGLAS GENERALES DE SEGURIDAD CONSIDERACIONES IMPORTANTES DE SEGURIDAD

USO Y CUIDADOS DE LA PRENSA

- **No modifique la Prensa de Taller de ninguna manera.** La modificación no autorizada puede perjudicar la función y / o la seguridad y podría afectar la vida útil del equipo. Hay aplicaciones específicas para las cuales ha sido diseñada la Prensa de Taller.
- **Siempre revise para detectar partes dañadas o desgastadas antes de usar la Prensa de Taller.** Las partes rotas afectarán la operación de la Prensa de Taller. Reemplace o repare inmediatamente las piezas dañadas o desgastadas.
- **Guarde la Prensa de Taller cuando esté fuera de uso.** Cuando la Prensa de Taller no esté en uso, almacénela en un lugar seguro fuera del alcance de los niños. Inspecciónela para asegurarse de que se encuentre en buenas condiciones de operación antes de guardarla y antes de volver a usarla. Not for use by children or people with reduced mental capacity.
- **No debe ser utilizada por niños** ni personas con capacidad mental reducida.
- **No la use si se encuentra bajo la influencia de drogas o alcohol.**
- Asegúrese de que los niños y otros transeúntes se mantengan a una distancia segura cuando utilice la Prensa de Taller.

INSPECCIÓN

- Inspeccione cuidadosamente la Prensa de Taller antes de cada uso. Asegúrese de que la Prensa de Taller no esté dañada, excesivamente desgastada ni haya partes faltantes.
- No utilice la Prensa de Taller si no está correctamente lubricada.
- El uso de una la Prensa de Taller que no está en buenas condiciones de trabajo o adecuadamente lubricada puede causar lesiones graves.
- Inspeccione el área de trabajo antes de cada uso. Asegúrese de que esté despejada y libre de cualquier peligro potencial.

NO UTILICE NI REPARE EL PRODUCTO SIN HABER LEÍDO ESTE MANUAL.

Para preservar la seguridad de la Prensa de Taller y del operador, es responsabilidad del dueño leer y seguir estas las instrucciones. Inspeccione la Prensa de Taller para verificar su correcta operación y funcionamiento. Ponga las instrucciones a disposición inmediata de los operadores. Asegúrese de que todos los operadores reciban el entrenamiento correspondiente y de que entiendan cómo utilizar la unidad en forma segura y correcta. Utilice el producto solamente cuando todas las piezas estén en su lugar y funcionen apropiadamente. Utilice solo piezas de repuesto originales. Realice el servicio y mantenimiento del producto solo con piezas de repuesto autorizadas o aprobadas; si se comete alguna negligencia, no será seguro utilizar la Prensa de Taller y la garantía quedará anulada. Inspeccione cuidadosamente el producto y con regularidad y realice todo mantenimiento que sea necesario. Guarde estas instrucciones en la palanca de su la Prensa de Taller. Mantenga todas las calcomanías de la unidad limpias y visibles.

Seguridad: siga siempre las precauciones de seguridad al instalar y operar esta la Prensa de Taller. Mantenga todas las calcomanías del producto limpias y visibles. Al proceder, usted acepta que ha entendido y ha comprendido completamente la totalidad del contenido de este manual. Si no utiliza el producto tal como se indica, pueden producirse lesiones o la muerte. El distribuidor no se hace responsable de ningún daño o lesión causados por uso inadecuado o negligencia.

MARCAS DE SEGURIDAD

▲ ADVERTENCIA

1. Estudie, entienda y siga todas las instrucciones antes de operar este dispositivo.
2. No exceda la capacidad nominal.
3. Previo al uso, asegúrese que la prensa esté firmemente asegurada al piso.
4. La prensa deberá ser instalada y operada de acuerdo con los estándares de seguridad federales (OSHA), estatales y locales.
5. Asegúrese de que el área de trabajo esté limpia y libre de potenciales peligros antes de la operación.
6. Los operadores y observadores deberán usar protección ocular que cumpla con los estándares de las normas ANSI Z87.1 y OSHA.
7. Mantenga las manos, brazos, pies y piernas fuera del área de trabajo. Un desliz accidental podría causar lesiones personales.
8. Use una protección apropiada para contener cualquier pieza que pudiera romperse o volar en pedazos al aplicar la fuerza.
9. Use únicamente accesorios para prensas que tengan una capacidad nominal igual o superior a la capacidad de la prensa.
10. Verifique que los cables de elevación no estén tirantes antes de presionar sobre el soporte.
11. Asegúrese que las cargas no estén descentradas.
12. No deberá hacerse ninguna modificación al producto.
13. No use esta prensa para algún otro uso que no sea el especificado por el fabricante.
14. La falta de acatamiento y comprensión de estas instrucciones y señalizaciones puede resultar en lesiones personales, daños a la propiedad, o ambos.

INSTRUCCIONES GENERALES DE SEGURIDAD

POR FAVOR LEA ATENTAMENTE ESTAS INSTRUCCIONES. PRESTE ATENCIÓN A LAS INSTRUCCIONES DE SEGURIDAD Y A LAS ADVERTENCIAS. UTILICE EL PRODUCTO CORRECTAMENTE Y CON CUIDADO PARA EL PROPÓSITO PARA EL QUE FUE DESTINADO. LA FALTA DE ACATAMIENTO PUEDE CAUSAR DAÑOS A LA PROPIEDAD Y / O GRAVES LESIONES PERSONALES. CONSERVE ESTE MANUAL DE INSTRUCCIONES EN UN LUGAR SEGURO PARA USOS FUTUROS.

Hemos hecho todo lo posible para asegurar que este equipo ofrece lo máximo en seguridad, pero usted tiene que hacer su parte. No importa la cantidad de advertencias, ninguna puede reemplazar de su buen juicio, así que asegúrese de que sea lo primero cosa que usted aporte a cualquier tarea. Más allá de esto, aquí le damos algunos consejos obvios:

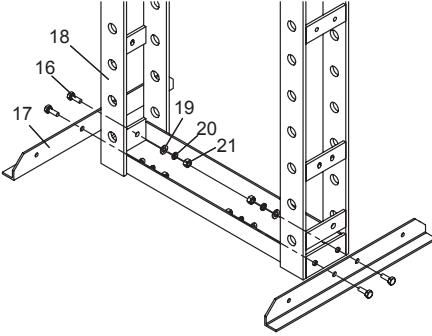
- El acero y otros materiales pueden astillarse, por lo que siempre use gafas de seguridad contra impactos aprobadas por ANSI.
- Si detectara algo que pudiera indicar un fallo estructural inminente, deje de usar la prensa inmediatamente e inspecciónela a fondo.
- Asegure la prensa al piso si planea usarla con ítems inestables o de gran tamaño.
- No la utilice para comprimir muelles o cualquier otro elemento que pudiera desprenderse y causar un riesgo potencial al convertirse en proyectil.
- Utilice esta prensa para el propósito para la que fue destinada. No la utilice para ningún otro propósito para el que no haya sido diseñada.
- Mantenga a los niños y personas no autorizadas fuera del área de trabajo.
- Quítense las prendas de vestir flojas. Quítense corbatas, relojes, anillos y otras joyas flojas y contenga el cabello largo.
- Use gafas de seguridad contra impactos aprobadas por ANSI, un escudo facial de seguridad contra impactos y guantes de trabajo de alta resistencia cuando esté operando la prensa.
- Mantenga el equilibrio y afirmese al piso en forma segura, no se sobre extienda y use calzado antideslizante.
- Utilice esta prensa solamente en una superficie que sea estable, nivelada, seca y no resbaladiza, y capaz de sostener la carga. Mantenga la superficie limpia, ordenada y libre de materiales no relacionados y asegúrese de que haya una iluminación adecuada.
- Inspeccione la prensa antes de cada uso. No lo use si está doblado, roto, agrietado, con fugas o dañado de alguna otra manera. No la utilice si sospecha que alguna de las partes de la prensa de taller ha sido sometida a una carga de choque.
- Compruebe que todos los pernos y tuercas aplicables estén firmemente apretados.
- Asegúrese de que la pieza de trabajo esté centrada y segura.
- Mantenga las manos y los pies lejos del área de trabajo en todo momento.
- No la utilice para comprimir muelles o cualquier otro elemento que pudiera desprenderse y causar un riesgo potencial al convertirse en proyectil. Nunca se pare directamente frente a una prensa con una carga ni deje una prensa con una carga desatendida.
- No utilice la prensa de taller cuando se encuentre cansado o bajo la influencia de alcohol, drogas o alguna medicina tóxica.
- No permita que personas no entrenadas operen el equipo.
- No realice ninguna modificación a la prensa.
- No utilice líquidos de freno ni ningún otro líquido inapropiado y evite mezclar diferentes tipos de aceites cuando deba añadir aceite hidráulico. Solo se pueden utilizar aceites hidráulicos para gatos de buena calidad.
- No exponga la prensa a la lluvia ni a ningún otro tipo de condición de mal tiempo.
- Si la prensa necesitara reparación y / o hay piezas que necesitan ser reemplazadas, haga que sea reparado por técnicos autorizados y utilice únicamente las piezas de repuesto suministradas por el fabricante.

¡ADVERTENCIA! Las advertencias, precauciones e instrucciones descritas en este manual de instrucciones no pueden cubrir todas las condiciones o situaciones posibles que pudieran ocurrir. El operador debe entender que el sentido común y la precaución son factores que no pueden incorporarse a este producto, sino que deben ser aportadas por el operador.

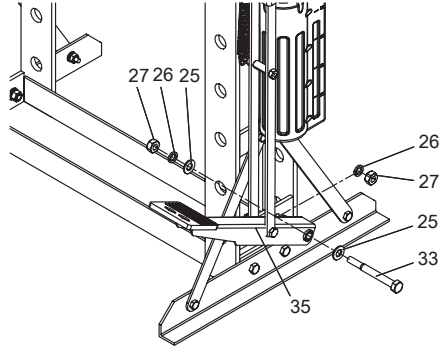
ENSAMBLAJE

Todos los números entre paréntesis () se refieren al número de índice en el desglose de las piezas.

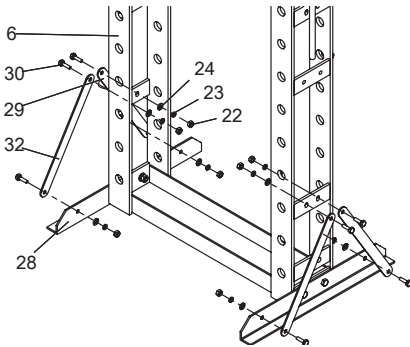
1. Sujete la base (17) al armazón (18) con perno (16), arandela (19), arandela elástica (20) y tuercas (21).



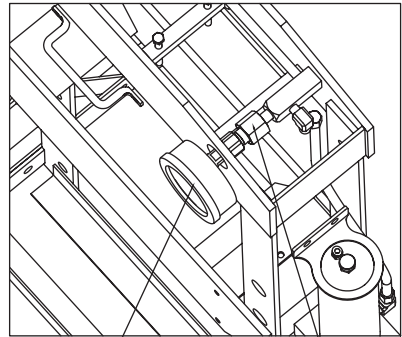
3. Fije con cuidado el pedal del ensamblaje unidad de energía (35) al ensamblaje del armazón (6) con arandela (25), arandela de resorte (26), tuerca (27) y perno (33). Asegúrese de que el ensamblaje unidad de energía (35) esté bien instalado.



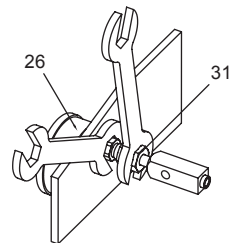
2. Sujete la barra de soporte n.º 1 (29) y la barra de soporte n.º 2 (32) a la base (28) y al armazón (6) con perno (30), arandela (24), arandela elástica (23) y tuercas (22).



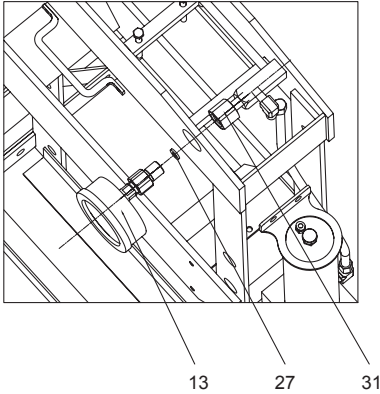
4. Instale el manómetro (26) en la parte superior del armazón (18), con una tuerca baja M20 (31). Ajuste el manómetro manualmente (26) con tuerca M20 (31) y asegúrese de que el reloj calibrador esté apuntando hacia arriba. Ajuste bien el manómetro.



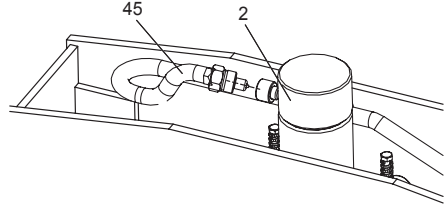
26 31



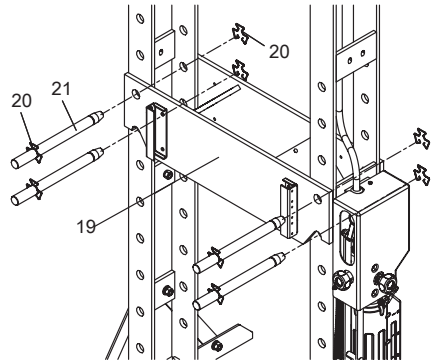
5. Coloque la conexión de la manguera hidráulica en el ensamblaje de la manguera (31). Instale la junta tórica (27) en la ranura del accesorio de conexión de la manguera (31). Luego conecte la manguera hidráulica (31) al manómetro (13). Ajuste bien la conexión de la manguera (31) al manómetro (13) .



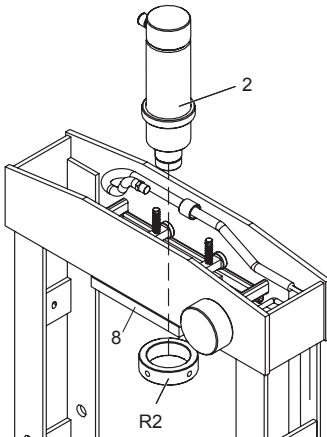
7. Conecte el racor macho del conector de la manguera (45) al ensamblaje del cilindro (2).



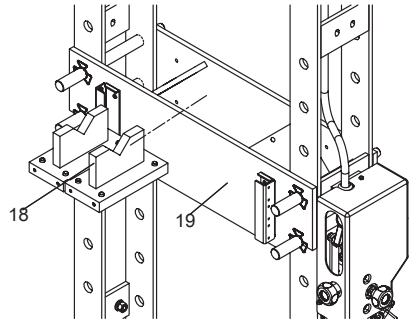
8. Eleve cuidadosamente el travesaño inferior (19) y asegúrelo con soportes (21) y anillos de resorte redondos (20).



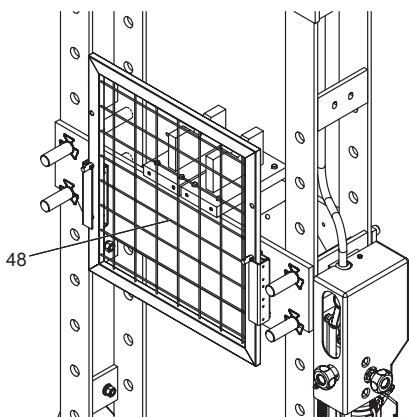
6. Inserte el ensamblaje del cilindro (2) desde el lado superior del armazón. Una vez que el cilindro es insertado en la base del cilindro (8) asegúrese de que el anillo redondo para elevación se apoye plano sobre la base del cilindro (8). Luego sujete la tuerca redonda (R2) en el vástago roscado del émbolo. Gire en sentido horario para enroscar la tuerca redonda (R2) en el vástago roscado del émbolo. Apriete la tuerca redonda (R2).



9. Coloque las placas de sujeción (18) sobre el travesaño inferior (19).



10. Coloque la valla (48) sobre el armazón según sea necesario.



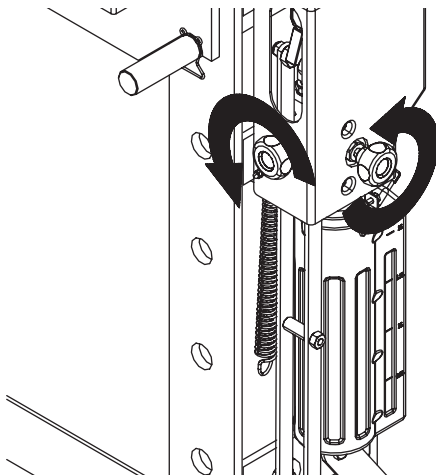
12. La prensa está ahora lista para usar.

PROCEDIMIENTO DE PURGA DE AIRE DEL SISTEMA

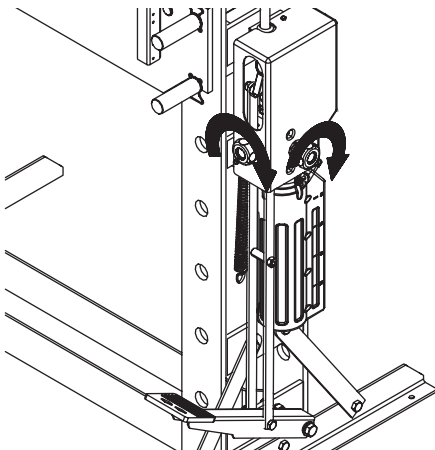
PROCEDIMIENTO DE PURGA DE AIRE DEL SISTEMA

Todos los números entre paréntesis () se refieren al número de índice en el desglose de las piezas. Realice el Procedimiento de Purgado de Aire para remover cualquier aire que se hubiera introducido en el sistema hidráulico como resultado del transporte y la manipulación del producto. Este paso debe completarse sin ninguna carga en el gato.

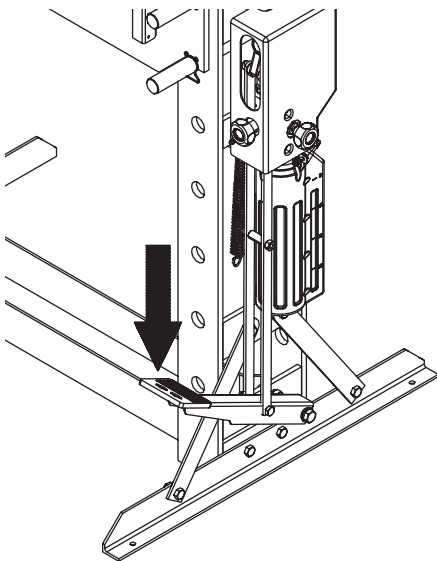
1. Gire la válvula de liberación en sentido antihorario para liberar la presión en la bomba y en la manguera.



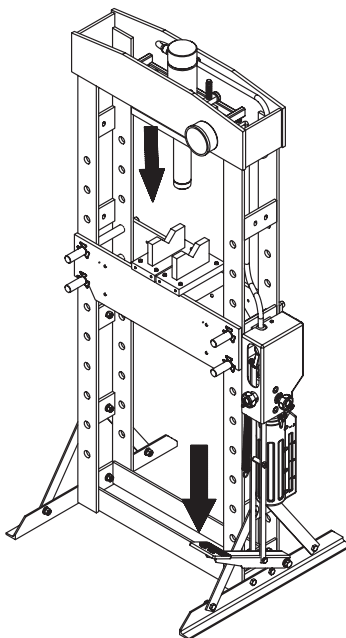
3. Cierre bien la válvula de liberación y la válvula rápido/lento girándola en el sentido de las agujas del reloj.



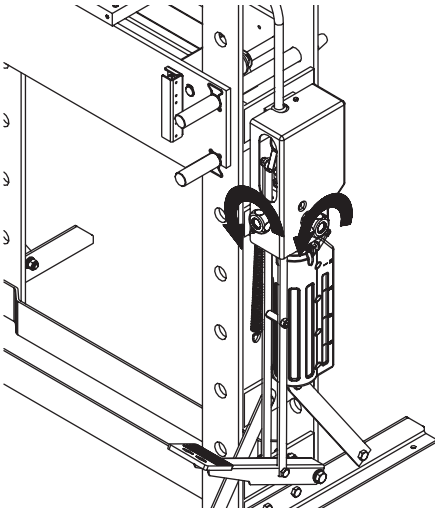
2. Pise rápidamente sobre el pedal 10 veces para hacer salir el aire del sistema hidráulico.



4. Pise sobre el pedal para extender un poco la varilla del pistón.

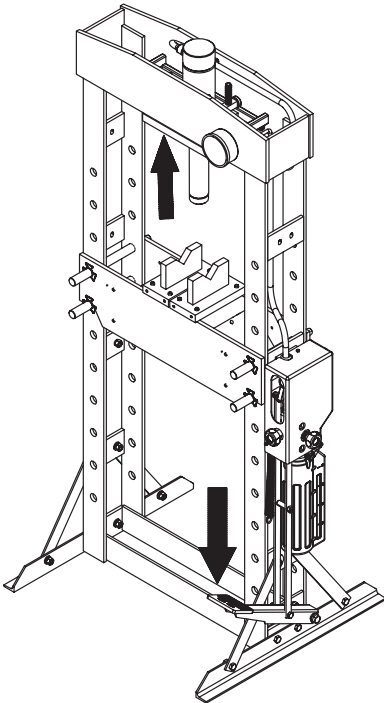


5. Gire la válvula de liberación y la válvula rápido/ lento en sentido antihorario.



7. Contacte al fabricante para solicitar ayuda si la bomba hidráulica sigue sin funcionar luego de haber realizado las operaciones precedentes varias veces.

6. Luego pise rápidamente sobre el pedal, cuando el pistón está volviendo hasta que la varilla del pistón esté de regreso en la posición original para liberar el aire del sistema hidráulico.



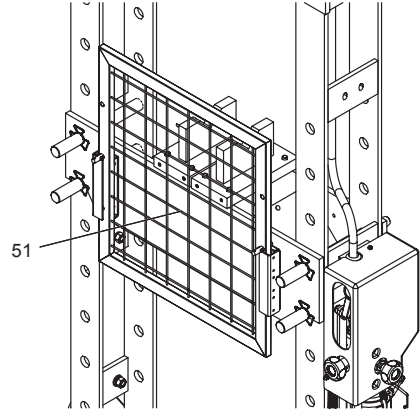
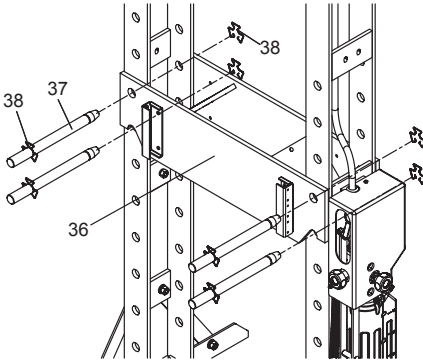
ANTES DEL USO

1. Antes de utilizar este producto, lea todo el manual del propietario y familiarícese bien con el producto y los peligros asociados a su uso incorrecto.
2. Realice el Procedimiento de purgado de aire. (Vea las instrucciones anteriores para el Procedimiento de purgado de aire.)
3. Inspeccione antes de cada uso. No utilice el producto si observa componentes doblados, rotos o agrietados.

OPERACIÓN

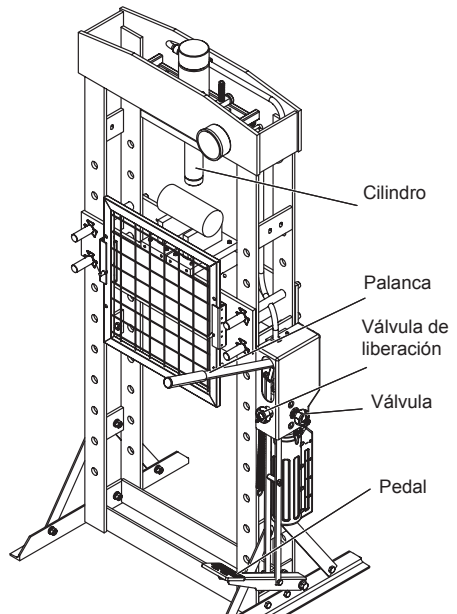
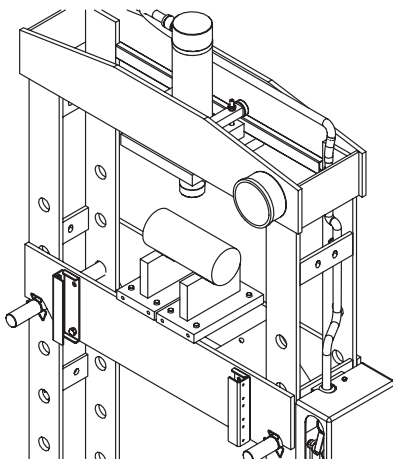
Todos los números entre paréntesis () se refieren al número de índice en el desglose de las piezas.

1. Eleve cuidadosamente el travesaño inferior (36) y asegúrelo con soportes (37) y anillos de resorte redondos (38).
3. Coloque la valla (51) sobre el marco tal como sea necesario.

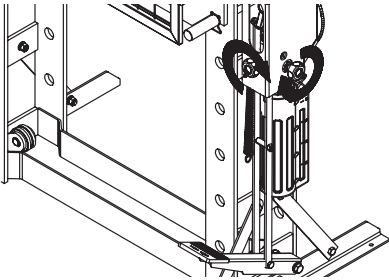


2. Coloque las placas de sujeción (35) sobre el marco. Coloque la pieza de trabajo sobre el marco o sobre el tablero. Actúe con precaución para garantizar la seguridad y evitar accidentes. Establezca la pieza de trabajo de una manera en la que no pueda caer accidentalmente de la mesa de la prensa una vez que la carga es removida.

4. Familiarícese con el producto.



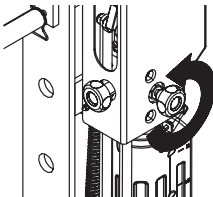
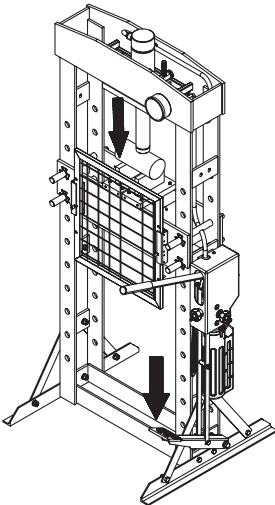
5. Cierre la válvula de liberación y la válvula rápido/lento haciéndolas girar en sentido horario hasta que queden bien cerradas.



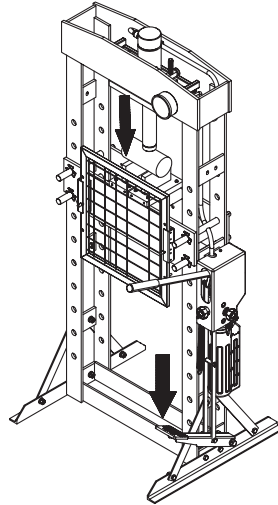
6. Bombée la palanca o el pedal hasta que el asiento dentado se acerque a la pieza de trabajo. Luego, abra la válvula rápido/lento girándola en sentido antihorario.

7. Mantenga el cilindro y la pieza de trabajo alineados para asegurarse que la carga esté centrada.

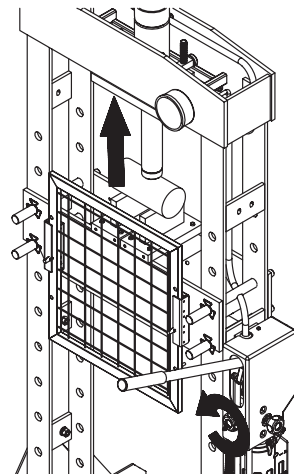
NOTA: Establezca la pieza de trabajo de una manera en la que no pueda caer accidentalmente de la mesa de la prensa una vez que la carga es removida.



8. Mantenga el cilindro y la pieza de trabajo alineados para asegurarse que la carga esté centrada. Bombée la palanca o el pedal. No sobrecargue la pieza de trabajo.



9. Cuando la tarea haya sido completada, deje de bombear la palanca. Luego lentamente gire la válvula de liberación en sentido anti horario en pequeños incrementos hasta que el cilindro quede liberado de la pieza de trabajo.
10. Una vez que el cilindro este totalmente retraído, remueva la pieza de trabajo de la mesa de la prensa. Remueva las piezas de trabajo de la prensa cuidadosamente.



INSTRUCCIONES DE MANTENIMIENTO

Si utiliza y da mantenimiento a su equipo correctamente, este le ofrecerá muchos años de servicio. Siga cuidadosamente las instrucciones de mantenimiento para mantener su equipo en buenas condiciones de funcionamiento. No haga ningún mantenimiento al equipo mientras esté llevando una carga.

Inspección

Debe inspeccionar el producto en busca de daños, desgaste, averías o piezas faltantes (p. ej., pasadores) y verificar que todos los componentes funcionen antes de cada uso. Siga las instrucciones de lubricación y almacenamiento para lograr un rendimiento óptimo del producto.

Atasco

Si el producto se atasca mientras lleva una carga, utilice un equipo con capacidad de carga equivalente o mayor para bajar la carga de manera segura hasta el suelo. Después de que el gato esté liberado, limpie, lubrique y compruebe que el equipo funciona correctamente. Los componentes oxidados, la suciedad y las piezas desgastadas pueden ser las causas del atasco. Limpie y lubrique el equipo según lo indicado en la sección de lubricación. Pruebe el equipo levantando sin carga. Si el atasco continúa, comuníquese con el Servicio de Atención al Cliente.

Limpieza

Si las piezas en movimiento del equipo están obstruidas, utilice disolvente de limpieza u otro desengrasante fuerte para limpiar el equipo. Retire cualquier óxido existente con un lubricante penetrante.

Lubricación

Este equipo no funcionará de forma segura sin una lubricación apropiada. Si utiliza este equipo sin una lubricación apropiada, no obtendrá un buen rendimiento y se producirán daños en el equipo. Algunas piezas de este equipo no se lubrican automáticamente. Inspeccione el equipo antes de usarlo y lubríquelo cuando sea necesario. Después de limpiarla, lubrique el equipo usando un aceite penetrante liviano de alto grado o un spray lubricante.

- Para aplicaciones en trabajos ligeros, use lubricación una vez por mes.
- Para trabajos livianos, lubrique una vez al mes.
- Para trabajos pesados y constantes, se recomienda lubricar cada semana.
- NUNCA UTILICE LIJAS O MATERIAL ABRASIVO SOBRE ESTAS SUPERFICIES.

Prevención de óxido:

Revise los arietes y los émbolos de la bomba de los conjuntos de la unidad de potencia diariamente para detectar signos de oxidación o corrosión.

Sin ninguna carga en el equipo, extienda el cilindro hidráulico para chequear si hay signos de oxidación visibles; limpie según sea necesario.

Accesorios engrasantes

Algunos modelos contienen accesorios engrasantes que requieren grasa y lubricación periódicas.

Cómo funciona el cilindro

Con la válvula de liberación cerrada, un movimiento de la palanca del gato hacia arriba extrae aceite del tanque y lo deriva a la cavidad del émbolo. La presión hidráulica mantiene la válvula cerrada, lo que mantiene el aceite en la cavidad del émbolo. Un movimiento de la palanca del gato hacia abajo libera aceite hacia el cilindro, lo que fuerza el ariete hacia afuera. Esto provoca la extensión del ariete. Cuando el ariete alcanza su máxima extensión, el aceite se deriva de vuelta al reservorio para evitar un movimiento demasiado extendido del ariete y un posible daño en el ariete. Al abrirse la válvula de liberación, el aceite puede fluir de regreso al reservorio. Esto permite liberar presión hidráulica sobre el ariete, lo que hace que el ariete descienda.

Almacenamiento del gato

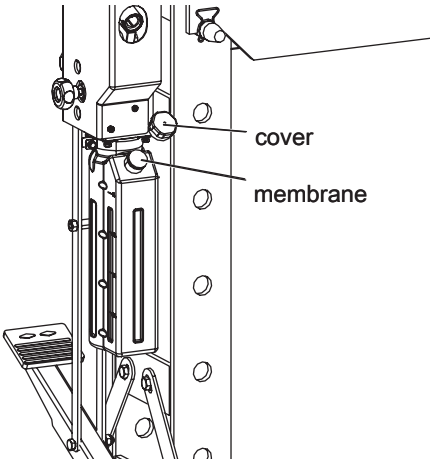
1. Retraiga totalmente el cilindro después del uso.
2. Coloque la palanca en posición vertical.
3. Guárdelo en un lugar seco, de preferencia en interiores.

Nota: Si almacena la prensa en un ambiente exterior, asegúrese de lubricar todas las partes antes y después del uso para asegurarse de que la prensa permanezca en buenas condiciones de funcionamiento.

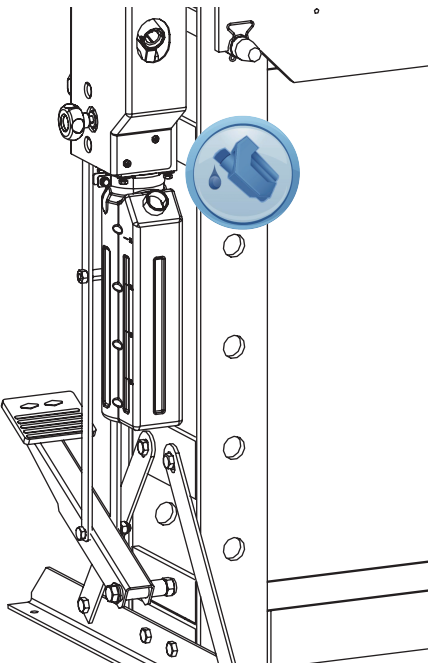
PARA AGREGAR ACEITE AL GATO

El ensamblaje del cilindro hidráulico contiene líquido hidráulico que deberá mantenerse aproximadamente 80% lleno en todo momento para lograr un funcionamiento adecuado. Para chequear el nivel y llenarlo remueva el tapón de llenado de aceite.

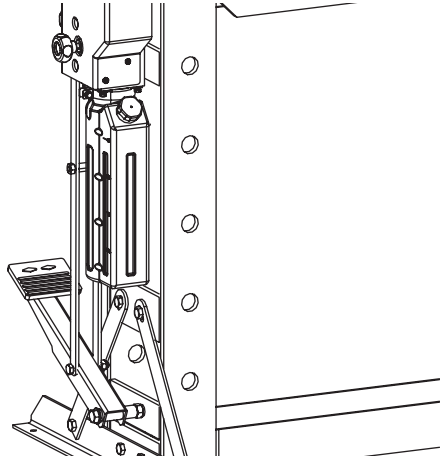
1. Retraiga completamente el cilindro hidráulico.
2. Retire el tapón y la membrana.



3. Llene el cárter hasta que el nivel de aceite esté cerca de 1.8L del recogedor de aceite
ASEGÚRESE DE QUE NO HAYA SUCIEDAD NI OTROS MATERIALES CUANDO VIERTA EL ACEITE.



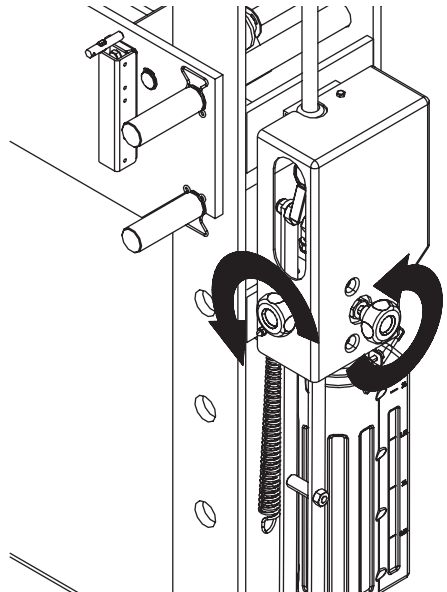
4. Vuelva a colocar la mem



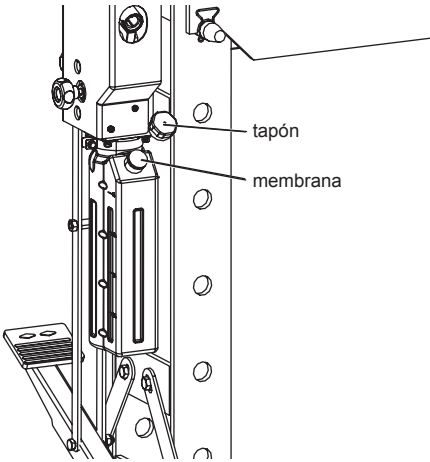
5. Realice el procedimiento de purga de aire.

PARA REEMPLAZAR EL ACEITE DEL GATO

1. Coloque la bomba en posición vertical y retraiga completamente el cilindro hidráulico.
2. Abra la válvula de liberación girando la palanca en sentido antihorario (4 vueltas completas).

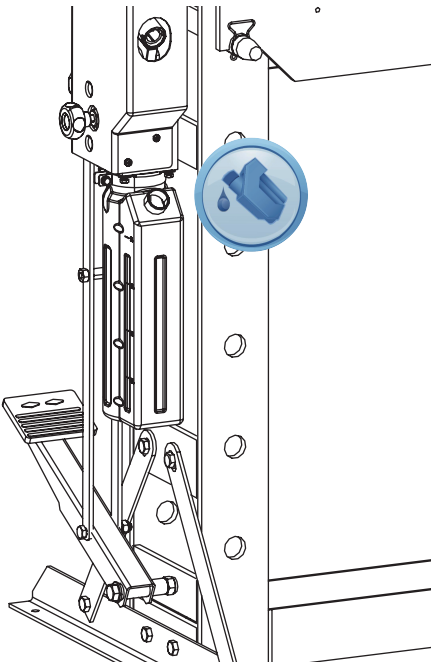


3. Retire el tapón y la membrana.

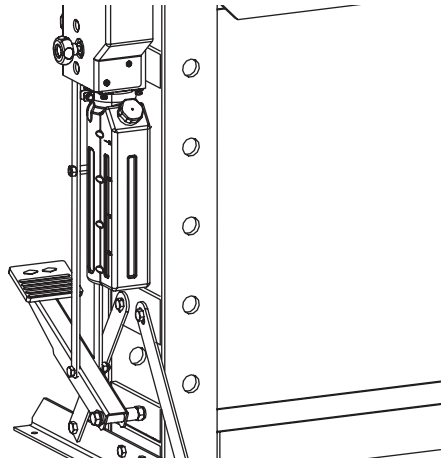


4. Ponga el gato de costado para drenar el aceite usado desde el orificio de llenado de aceite.
Nota: Deseche el líquido hidráulico en cumplimiento con las regulaciones locales.

5. Llène el cárter hasta que el nivel esté cerca de 1,8L del recogedor de aceite.
ASEGÚRESE DE QUE NO HAYA SUCIEDAD NI OTROS MATERIALES CUANDO VIERTA EL ACEITE.



6. Vuelva a colocar la



7. Realice el procedimiento de purga de aire.

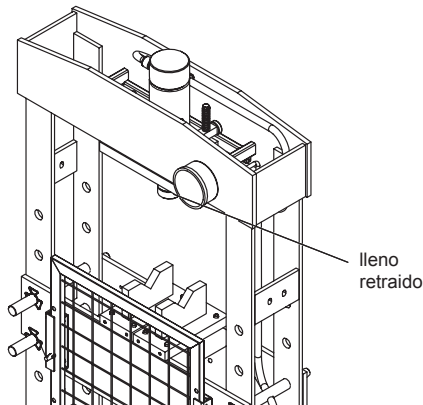
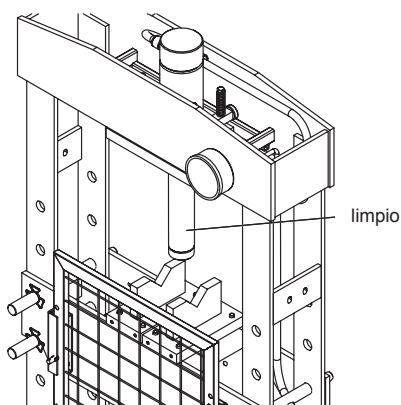
▲ ADVERTENCIAS ADICIONALES:

- NO UTILICE ACEITE DE MOTOR EN EL GATO.
- SOLO UTILICE ACEITE PARA GATO ANTIESPUMANTE.
- SIEMPRE UTILICE UN ACEITE PARA GATO HIDRÁULICO DE BUENA CALIDAD.
- NO UTILICE LÍQUIDO DE FRENO HIDRÁULICO, ALCOHOL, GLICERINA, DETERGENTE, ACEITE DE MOTOR O ACEITE SUCIO.
- SI UTILIZA UN LÍQUIDO NO RECOMENDADO, PUEDEN PRODUCIRSE DAÑOS EN EL GATO.
- EVITE MEZCLAR DIFERENTES TIPOS DE LÍQUIDO Y NUNCA UTILICE LÍQUIDO DE FRENOS, ACEITE DE TURBINA, LÍQUIDO DE TRANSMISIÓN, ACEITE DE MOTOR O GLICERINA. SI UTILIZA UN LÍQUIDO INAPROPIADO, EL GATO PUEDE FALLAR TEMPRANAMENTE Y LA CARGA PUEDE PERDERSE DE FORMA REPENTINA E INMEDIATA.
- DESECHE EL LÍQUIDO HIDRÁULICO DE ACUERDO CON LAS REGULACIONES LOCALES.

LUBRICACIÓN

Una cobertura periódica con aceite lubricante liviano al pivote ayudará a asegurar que los pistones de la bomba se muevan libremente.

Nota: Nunca aplique aceite a la plataforma. Si las roscas de extensión de la plataforma requieren lubricación, limpie las superficies de las roscas con un paño limpio y seco, luego aplique una gota de grasa para cojinetes a las roscas. Distribúyala lo más parejo posible a lo largo del poste roscado.

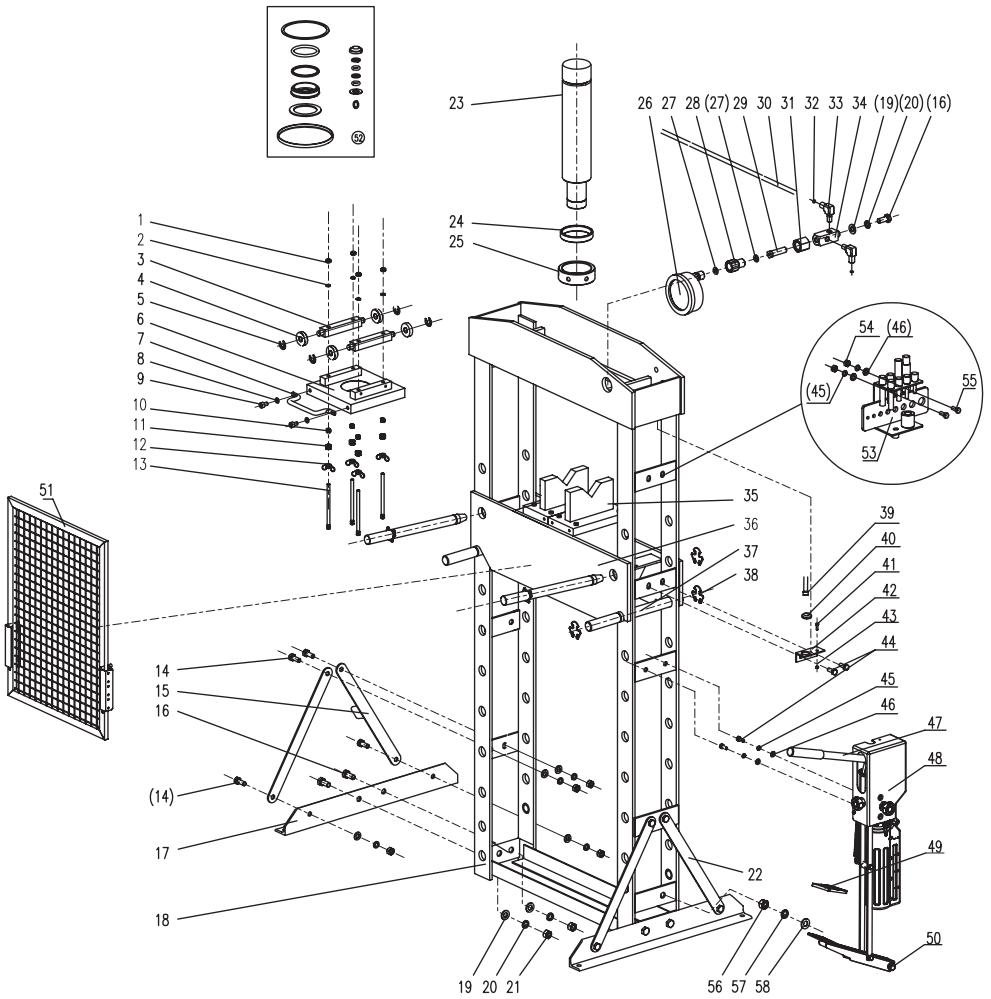


SOLUCIÓN DE PROBLEMAS

EL CILINDRO NO PRESIONA LA CARGA	EL CILINDRO PURGA DESPUÉS DE CADA PRENSADO	CILINDRO NO SE RETRAE DESPUÉS DE DESCARGAR	POBRE DESEMPEÑO EN LA ELEVACIÓN	EL CILINDRO NO SE EXTIENDE A SU MÁXIMA EXTENSIÓN	CAUSAS Y SOLUCIONES
X	X		X		La válvula de liberación no está firmemente cerrada. Asegúrese de que la válvula de liberación está firmemente cerrada.
X					Condición de sobrecarga. Solucione la condición de sobrecarga.
X	X		X		Mal funcionamiento de la unidad de energía. Reemplace la unidad de energía.
		X	X		Reservorio excesivamente lleno. Remueva la bomba, luego drene el líquido hasta el nivel adecuado.
		X			Conexiones agarrotadas. Limpie y lubrique las partes móviles.
X				X	Nivel de líquido bajo. Asegúrese de que el nivel de líquido sea apropiado.
X			X	X	Aire atrapado en el sistema. Purgue el aire del sistema.

La temperatura de funcionamiento segura está entre 40 °F y 105 °F (4 °C y 41 °C).

DIAGRAMA DE ENSAMBLAJE



RÉF nº	PARTIE nº	DESCRIPTION	QUANTITÉ
1		Tuercas M8	4
2		Arandela de resorte M8	4
3		Eje del rodillo	2
4		Rodamiento de rodillos 6201-2Z	4
5		Anillo elástico para el eje M15	4
6		Base del cilindro	1
7		Palanca para movimiento del cilindro	1
8		Arandela de resorte M8	2
9		Tornillo Allen de cabeza cilíndrica M8X10	2
10		Muelle	4
11		Cubierta del muelle	4
12		Tuerca mariposa M8	4
13		Tornillo reformado	4
14		Tornillo M12X30	4
15		Barra de soporte	1
16		Tornillo M12X35	9
17		Base	2
18		Ensamblaje del armazón	1
19		Arandela de resorte M12	16
20		Arandela M12	12
21		Tuercas M12	12
22		Barra de soporte	3
23	TY20028.1	Ensamblaje del cilindro	1
24		Manguito del cilindro	1
25		Manguito de la base del cilindro	1
26	TY20021-02	Manómetro	1
27	TY20021.1-15	Junta de sellado rectangular	2
28	TY20021-08a	Conector del manómetro	1

RÉF nº	PARTIE nº	DESCRIPTION	QUANTITÉ
29		Tubo de conexión del manómetro	1
30		Manguera	1
31		Manómetro tuerca de retención	1
32	TY20021-12	Anillo en "O" 5x1.8	5
33		Juntas de las mangueras	2
34		Junta del conducto colector	1
35	TY20021.3	Placas de refuerzo	2
36		Travesaño inferior	1
37	TY20021-05	Pasador de soporte	2
38	TY20021-14	Anillo de retención del alerón	4
39		Tubo conector de la bomba	1
40		Casquillo de fijación de los tubos	1
41		Perno M5X16	1
42		Placa fija	1
43		Arandela M5	1
44		Tornillo M10X25	7
45		Arandela de resorte M10	12
46		Arandela M10	12
47	TY20030.1-07	Palanca	1
48	TY20030.1	Ensamblaje unidad de potencia	1
49	TY20030-04	Tapete de rodamiento	1
50		Tornillo M14X120	1
51	TY20021F.11	Valla	1
52	TY20030D.MF	Kits de sellado	1
53	TY20021.6	Extensor	1
54		Tuercas M10	10
55		Tornillo M10X30	2
56		Tuercas M14	4
57		Arandela de resorte M10	4
58		Arandela M14	4

AVISO DE GARANTÍA

Este equipo está cubierto por una garantía limitada de 1 año cuando se utiliza según lo recomendado. Únicamente los artículos que figuran con un número de pieza están disponibles para compra. Para obtener ayuda con la operación o la disponibilidad de las piezas de repuesto, comuníquese con nuestro departamento de piezas y garantía al 1-888-44-TORIN (1-888-448-6746). Tenga a mano una copia de su recibo, el número de modelo del producto, el número de serie y detalles específicos relacionados con su pregunta.

No se dispone de repuestos para todos los componentes del equipo; las ilustraciones provistas son una referencia conveniente de la ubicación y la posición en la secuencia de ensamblaje.

El fabricante se reserva el derecho de realizar cambios de diseño o mejoras en las líneas de productos y manuales sin previo aviso.

INFORMACIÓN DE GARANTÍA

Deseamos saber si tiene alguna inquietud sobre nuestros productos. De ser así, llame a la línea gratuita para obtener ayuda de inmediato. Si tiene consultas adicionales sobre la ayuda de asistencia al cliente en línea, visite la sección de servicio al cliente en <http://www.torin-usa.com>.

GARANTÍA LIMITADA DE UN AÑO DE TORIN

Desde 1968 Torin Inc.® fabrica productos de reparación y mantenimiento automotriz de calidad. Todos los productos vendidos se consideran como productos de la más alta calidad y están cubiertos por la siguiente garantía:

Con el comprobante de compra y durante el período de un año desde la fecha de la compra, el fabricante reparará o reemplazará, a su criterio y sin cobro, cualquiera de sus productos o piezas que fallen debido a un defecto de material o fabricación. Esta garantía no cubre daños o defectos causados por un uso inapropiado, negligente o uso indebido del equipo. Esta garantía no cubre piezas que normalmente se desgastan o consumen durante el funcionamiento normal del equipo. A excepción de las disposiciones en las que dichas limitaciones y exclusiones estén específicamente prohibidas por la ley aplicable, (1) la ÚNICA Y EXCLUSIVA COMPENSACIÓN PARA EL CONSUMIDOR SERÁ LA REPARACIÓN O EL REEMPLAZO DE LOS PRODUCTOS DEFECTUOSOS SEGÚN LO DESCRITO ANTERIORMENTE y (2) EL FABRICANTE NO SERÁ RESPONSABLE DE NINGÚN DAÑO O PÉRDIDA RESULTANTE O CASUAL, y (3) LA DURACIÓN DE TODAS LAS GARANTÍAS EXPRESAS E IMPLÍCITAS —QUE INCLUYEN PERO NO SE LIMITAN A CUALQUIER GARANTÍA DE COMERCIABILIDAD E IDONEIDAD PARA UN PROPÓSITO PARTICULAR— SE LIMITA A UN PERÍODO DE UN AÑO DESDE LA FECHA DE COMPRA. La alteración del producto de cualquier manera por parte de cualquier persona que no seamos nosotros, con la única excepción de alteraciones que guardan conformidad con las instrucciones del producto y que se realizan de manera profesional. Usted reconoce y acepta que cualquier uso del producto para cualquier fin distinto a los usos especificados en las instrucciones del producto corre por SU cuenta y riesgo.

Siempre revise si hay piezas dañadas o desgastadas antes de utilizar cualquier producto. Las piezas averiadas afectarán el funcionamiento del equipo. Reemplace o repare las piezas dañadas o desgastadas de inmediato. No modifique el producto de ninguna manera. Cualquier modificación no autorizada puede alterar el funcionamiento o la seguridad y podría afectar la vida útil del equipo. Existen aplicaciones específicas para las que los productos han sido diseñados y probados durante la producción. No se autoriza que los elementos bajo garantía provistos por el fabricante sean reparados por alguna persona que no sea el fabricante o una persona autorizada por el fabricante. El distribuidor no tiene autorización para modificar estas declaraciones. Usted reconoce y acepta que cualquier modificación del producto para cualquier fin que no sean las reparaciones realizadas por el fabricante corre por su cuenta y riesgo. Antes de utilizar este producto, lea todo el manual del propietario y familiarícese bien con el producto y los peligros asociados a su uso incorrecto.

IMPORTANTE: ANTES DEL PRIMER USO, verifique que se haya completado una inspección diaria y que todos los componentes estén funcionando correctamente.

Esta garantía limitada le otorga derechos legales específicos, y usted también puede tener otros derechos que varían según cada estado. Algunos estados no permiten limitaciones o exclusiones sobre las garantías implícitas o casuales o resultantes, por lo que posiblemente las limitaciones anteriores no se apliquen a SU caso. Esta garantía limitada está regida por las leyes del estado de California, sin tomar en consideración las normas relativas a conflictos de leyes. Los tribunales estatales ubicados en el condado de San Bernardino, California, tendrán jurisdicción exclusiva sobre cualquier disputa relacionada con esta garantía.

El fabricante se reserva el derecho de realizar cambios de diseño o mejoras en esta línea de productos y en este manual sin previo aviso. En Torin, hemos hecho nuestro mayor esfuerzo por garantizar que se incluyan instrucciones completas y exactas en este manual. Sin embargo, probablemente se hayan efectuado posibles actualizaciones, revisiones o cambios desde esta publicación. Torin Inc. se reserva el derecho de cambiar las especificaciones sin incurrir en ninguna obligación con respecto al equipo vendido anteriormente o posteriormente. No se hace responsable de los errores tipográficos.

Como otra alternativa, puede recurrir al Servicio de Atención al Cliente en www.torin-usa.com o vía correo electrónico a info@torin-usa.com.

No se ofrece reemplazo para todos los componentes del equipo, pero estos se ilustran como referencia conveniente de la ubicación y la posición en la secuencia de ensamblaje. Comuníquese con el Servicio de Atención al Cliente para conocer componentes equivalentes. Cuando se comunique con nosotros, tenga a la mano el número de modelo, el número de serie y la descripción de su producto para que podamos ayudarlo de manera eficiente. Puede encontrar esta información en una calcomanía adherida al producto.

Para recibir apoyo sobre la garantía o si su equipo Torin® no funciona correctamente, comuníquese con el Servicio de Atención al Cliente de Torin® directamente por teléfono al 1-888-44-TORIN (1-888-448-6746) de lunes a viernes de 8:00 a. m. a 5 p. m. hora del Pacífico.



Contact Torin® Customer Service directly by telephone at:
1-888-44-TORIN (1-888-448-6746)
8:00am – 5:00pm Pacific Time, Monday – Friday

Communiquez directement avec le Service à la clientèle Torin® au:
1-888-44-TORIN (1-888-448-6746)
De 8 heures à 17 heures, heure du Pacifique, du lundi au vendredi

Comuníquese conel Servicio de Atención al Cliente de Torin® directamente por teléfono al:
1-888-44-TORIN (1-888-448-6746)
De lunes a viernes de 8:00 a. m. a 5 p. m. hora del Pacifico

Torin Inc.
4355 E. Brickell Street Ontario, CA USA
www.torin-usa.com
Made in China - Fabriqué en Chine - Hecho en China

