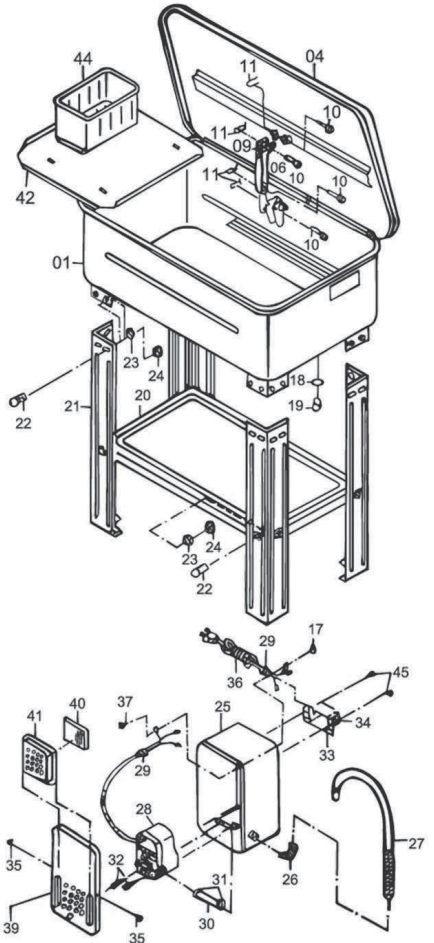


PARTS LIST



No.	Name	Qty.
01	Tub	1
04	Cover	1
06	Safety Lever	1
09	Safety Plate	1
10	Pin	4
11	Spring Pin	4
17	Nut	1
18	O-Ring	1
19	Drain Plug	1
20	Shelf	1
21	Leg	4
22	Pan Screw M6x12	24
23	Spring Washer	24
24	Nut M6	24
25	Pump Housing	1
26	Elbow	1
27	Flexible Pipe	1
28	Pump	1
29	Feed Through	2
30	Hose	1
31	Hose Clamp	2
32	Tapping Screw	2
33	Switch Box	1
34	Switch	1
35	Tapping Screw	2
36	Power Cord	1
37	Pan Screw	1
39	Pump Housing Cover	1
40	Filter Screen	1
41	Filter Cover Screen	1
42	Work Shelf	1
43	Work Shelf Leg	2
44	Basket	1
45	Tapping Screw	2

Distributed by / Distribuido por:

TORIN INC.
Ontario, CA 91761

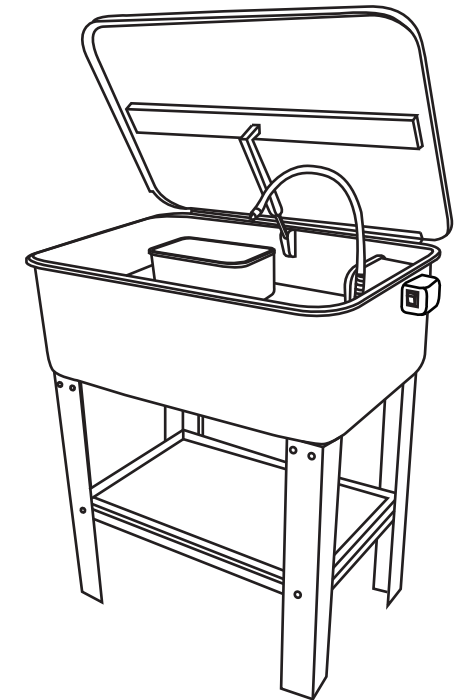
FOR CUSTOMER SERVICE
 PARA EL SERVICIO PARA EL

www.torin-usa.com/support

Made in China / Hecho en China
www.torin-usa.com



20 GALLON ELECTRIC PARTS WASHER TINA LAVADORA DE PARTES



OWNER'S MANUAL

INSTRUCTIONS FOR USE

MANUAL DE PROPIETARIO

INSTRUCCIONES PARA SU USO

SAFETY INSTRUCTIONS

WARNING !

When using tool, basic safety precautions should always be followed to reduce the risk of personal injury and damage to equipment.

READ ALL INSTRUCTIONS BEFORE USING.

Keep work area clean. Cluttered areas invite injuries. Observe work area conditions. Do not use machines or power tools in damp or wet locations. Don't expose to rain. Keep work area well lighted. Do not use electrically powered tools in the presence of flammable gases or liquids. Keep children away. Children must never be allowed in the work area. Do not let them handle machines, tools, or extension cords. Store idle equipment. When not in use, tools must be stored in a dry location to inhibit rust. Always lock up tools and keep out of reach of children. Use eye and ear protection. Always wear ANSI approved impact safety goggles. Wear a full face shield if you are producing metal filings or wood chips. Wear an ANSI approved dust mask or respirator when working around metal, wood, and chemical dusts and mists. Avoid unintentional starting. Be sure the switch is in the Off position when not in use and before plugging in. Stay alert. Watch what you are doing, use common sense. Check for damaged parts. Before using any tool, any part that appears damaged should be carefully checked to determine that it will operate properly and perform its intended function. Check for alignment and binding of moving parts; any broken parts or mounting fixtures; and any other condition that may affect proper operation. Any part that is damaged should be properly repaired or replaced by a qualified technician. Do not use the tool if any switch does not turn On and Off properly. Guard against electric shock. Prevent body contact with grounded surfaces such as pipes radiators, ranges, and refrigerator enclosures. Replacement parts and accessories. When servicing, use only identical replacement parts. Use of any other parts will void the warranty. Only use accessories intended for use with this tool. Approved accessories are available from Torin Jacks, Inc.

WARRANTY

Torin Jacks, Inc. warrants its hydraulic jacks and tools for a period of one year against manufacturing and materials defects. Torin Jacks, Inc. will issue a one-for-one credit for all merchandise deemed defective due to manufacturing and or material defects. Torin Jacks, Inc. will not issue credit for customer abuse or misuse. Merchandise shall be deemed defective by letter from Torin Jacks, Inc. after inspection by Torin Jacks, Inc. or one of its representatives. Defective products shall be returned freight prepaid to Torin Jacks, Inc. by written authorization only. Some products may be authorized for field destruction, with return of handle assembly and saddle only.

SPECIFICATIONS

Save this manual You will need the manual for the safety warnings and precautions, assembly instructions, operating and maintenance procedures, parts list and diagram. Keep your invoice with this manual. Write the invoice number on the inside of the front cover. Keep the manual and invoice in a safe and dry place for future reference.

Pump:.....50 GPM Output
Overall Dimensions:.....30" x 21-3/4" x 35"
Max. Solvent Capacity:.....20 Gallons
Motor:.....15V AC, 60 Hz, .5 Amps
Gross Weight:.....75.9 lbs

Unpacking

When unpacking, check to make sure that all parts are included (see the Parts List and Parts Diagram) If any parts are missing or broken, please call Torin Jacks, Inc. at the number on the cover of this manual as soon as possible.

Grounding and Voltage Warning

Common household current is 110-120 volts. As long as your tool is rated from 110-120V, there will not be any complications using this tool with household receptacles. Never try to plug a 110-120V tool into a 220-240V circuit (or visa-versa) or serious complications and possible injury to the operator may occur. The plugs have different shapes to prevent this.

Do not modify your electrical plug in any way. If you have any doubt, call a qualified electrician.

Extension Cords

If you are using this product outdoors, use an extension cord rated for outdoor use (signified by on the jacket). The extension cord must have a minimum wire size depending on the amperage of the tool and the length of the extension cord. The proper extension cord is determined by its AWG (American Wire Gauge) rating. The smaller the gauge, the greater the cable's capacity. The amount of cords used does not matter; total length determines the minimum AWG rating. Every cord must meet the AWG rating. Use the chart below to determine what AWG rating is required for your situation. Cord length is rated in feet.

Grounding Instructions

This product has a three prong plug. The third prong (round) is the ground. Plug the product's cord only into three-prong receptacles. Never cut off the round prong. Cutting of the ground will result in a safety hazard and void the warranty.

ASSEMBLY

You must assemble the legs and shelf to the tub, and put the pump, work shelf and basket in place.

1. Remove the machine from the carton and inspect for any possible damage.
2. Remove parts from inside machine.
3. Place clean cardboard on the floor, and lay the parts washer upside down on the cardboard. Be sure to hold cover in place when turning over to prevent damage to the cover.
4. Mount the four legs (21) onto the brackets on the underside of the Tub (01), using the Pan Screws (22), Spring Washers (23), and Nuts (24). Do not tighten fully.
5. Position the shelf (20) between the legs with the flat side down, and attach to the mid point of the legs using screws, washers and nuts (22,23 and 24). Tighten all fasteners on the leg assembly securely.
6. Return the Parts Washer to its upright position. Be careful to hold the Cover in place while turning it over.
7. Place the work shelf (42) and parts basket (44) into the tub.
8. Mount the pump assembly into the slot in the right side of the tub. Be sure the tab on the side of the pump housing (25) slides securely into the slot.
9. Place the screen (40) and cover screen (41) assembly onto the pump housing cover (39).
10. Fill the tub with an approved cleaning solution. Do not overfill. Remember that you will be adding volume by placing parts into the tub. Close cover when you are agitating parts.
11. Plug power cord into a grounded 110-120V outlet.

BEFORE OPERATING

WARNING !

Never use any flammable solvents in this tub. Never use any solvents which create hazardous fumes. Use water and household detergents only. Always wear ANSI-approved eye protection when using this parts washer. Whenever possible, clean parts in the parts basket to prevent loss within the tub. Prolonged exposure to cleaning fluids can harm your skin. Wear appropriate safety gloves when using this washer. Keep your work area clean and uncluttered to prevent loose materials from falling into and becoming lost in the tub. Keep cover closed when not in use. Never use the cover or tub as a work stand or bench top. This may cause damage to the cover, tub or pump. Keep children and unauthorized persons away when using this parts washer. Never leave the parts washer unattended where children or unauthorized persons can use it without supervision. Be careful to route the poser cord safely. Protect it from being damaged by other equipment in the shop. Do not route the cord where it can be walked on or tripped over.

Know your solvents

Do not use any highly volatile, flammable or combustible solvents.

Caution !

Parts being cleaned may leave flammable or combustible residue, or may contain flammable or combustible fluids that remain in the parts washer. Check for solvent fumes to verify non-flammability and non-toxicity. Use in a well ventilated area.

NO SMOKING !

Only use non-corrosive water based solvents. Never use highly volatile flammable solvents such as gasoline, toluene, or diesel fuel. Non water based solvents may also contain fumes that are hazardous to your health, and must not be used at any time.

OPERATION

Keep away from any ignition sources. Immerse the pump in liquid while operating. Fluid should be replaced and parts washer cleaned on a regular basis to avoid hazardous conditions. Avoid solvent contact with skin and eyes. Chlorinated solvents, such as 1-1-1 Trichloroethane and Methylene Chloride (also known as Methyl Chloride) can chemically react with aluminum and may explode. Many tools and equipment contain aluminum. If you are in any doubt whatsoever, contact the solvent manufacturer.

Note: The fusible link must be intact at all times.

To start using:

1. Fill the Tub (01) with the proper cleaning solution just below crease in the tub.
2. Place tool(s) to be cleaned into the cleaning solution.

Caution: Always connect the parts washer to a 110-120V AC, GFI protected receptacle or circuit.

3. Plug the power cord into a grounded, 3-prong, GFI protected electrical outlet.
4. Turn the power switch (34) to the ON position and begin cleaning tool(s).
5. When the tool(s) is clean, turn the power switch to the OFF position, and remove the tool(s) from the cleaning fluid and air dry or wipe with clean shop towel.
6. Close the cover (04).

Never operate this parts washer if:

1. The filter screen is clogged or dirty. Remove and clean this screen periodically.
2. The cleaning solution is very dirty. Change the detergent mixture periodically to provide maximum cleaning ability, and reduce clogging of the filter.
3. The fluid level is very low. Do not allow the pump to operate if the fluid level is very low. This may cause the pump to run dry, resulting in damage to the pump.
4. There is an apparent Electrical or Fire hazard. Never turn on the pump if you observe a potential electrical fire or other hazard.
5. The fusible link of the safety plate is not intact. Assure that this critical safety device is in good condition before using the parts washer. Replace if necessary.

MAINTENANCE

1. Use only an approved cleaning solution.
2. Keep the filter clean, and replace the cleaning solution when it becomes dirty.
3. Do not operate the Parts Washer with a very low cleaning solution level.
4. Remove the drain plug (19) to empty the tub.

Note: You may wish to install an elbow and flexible hose to the drain to more easily drain the cleaning solution into a container.

5. After draining, wipe out the tub to remove dirty sediments before refilling.
6. Dispose of dirty cleaning solution properly, in accordance with local regulations.
7. Protect the steel tub from rust damage by keeping it clean, and repainting scratches periodically.

TROUBLE SHOOTING

1. The filter may be clogged. Clean the Filter Screen (40) and filter cover screen (41). If the filter is damaged, replace it.
2. A foreign object may have become lodged in the flexible pipe. Unscrew the flexible pipe (27) from the elbow (26) and check ti by shining a light through it, or using a probe, such as a piece of wire, to inspect it.
3. The pump may not be receiving power. Check the power cord to be sure it is plugged in. Check the breaker switch for the power supply to be sure it has not kicked out. If so, check for the error condition that caused it to break before resetting it.
4. The pump may be jammed or burned out. Listen for the sound of the pump. You should be able to determine if it is attempting to turn, or if it is silent. If silent, it must be replaced. If attempting to turn, ask a qualified electrician to remove the jammed article from it.

WARNING!

Do not attempt electrical repairs in the presence of a liquid cleaning solution. Do not attempt electrical repairs if you are not a qualified electrician.

AWG RATING CHART

Cord Length	25'	50'	75'	100'	125'	150'	175'	200'
AMPS	AWG	AWG	AWG	AWG	AWG	AWG	AWG	AWG
0-10.0	18	18	16	16	14	14	12	12
10.1-13.0	16	16	14	14	14	12	12	12
13.1-15.0	14	14	12	12	12	12	12	----
15.1-18.0	14	12	12	12	12	12	----	----