

Content

1. Safety requirements	2
1.1. General information	2
1.2. When working with the stand	2
2. Appointment	3
3. Equipment	3
4. Specifications	3
5. Requirements for the place of operation	3
6. Operation	3
7. Service	3
8. Storage	4
9. Assembly Diagram	4
10. Parts List	5
11. Warranty	5

This equipment is not a household appliance, but refers to specialized professional equipment to be used in service stations or other industrial premises. The operation of the equipment must be carried out by persons with the necessary professional training. The manufacturer and seller of the goods bear warranty obligations only in relation to the equipment, the maintenance of which was carried out under production conditions by persons with special knowledge and skills, and in accordance with the requirements of the Passport-Instruction.

1. SAFETY REQUIREMENTS:

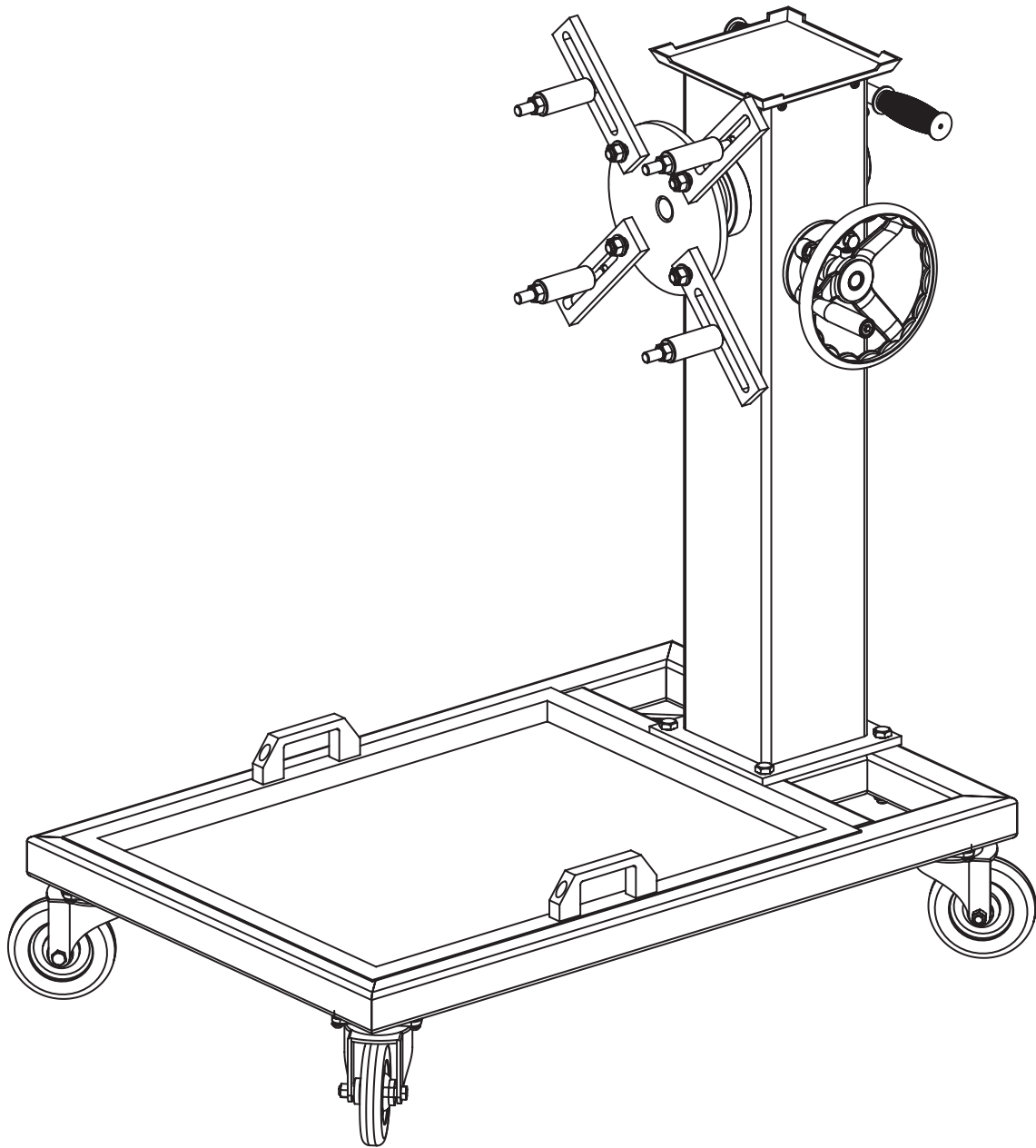
1.1. General information.

- This manual contains safety and operating instructions. Attentively read it before using or servicing the device. Do not neglect this, as incorrect handling may result in injury to the operator or damage to the device.
- Children and bystanders must be kept out of the work area.
- Wear suitable work clothing: Remove ties, watches, rings, and other paraphernalia. Pull up long hair. These measures are necessary to prevent all of the above from entering the moving parts of the equipment. When working with the equipment, it is recommended to use safety goggles, a hard hat and gloves for an additional guarantee of user safety. Use suitable non-slip shoes to avoid losing your balance.
- The equipment must be serviced regularly by qualified personnel and must be cleaned for efficient and safe operation, as well as extending the life of the product.
- Do not use the equipment when you are tired, under the influence of alcohol, drugs or medications that affect alertness and motor skills.
- Each time before starting work with the engine stand, it is necessary to carry out its visual inspection for external damage. It is forbidden to start work if bent, broken, cracked, leaking or damaged parts are found, as well as if the equipment has received strong blows at the same time. Contact the seller for assistance with repairs and service. Prohibited admission to work with equipment unqualified and not passed personnel safety training.
- The equipment must be operated only in places that meet the requirements specified in paragraph "Requirements for the place of operation" and not contradict the relevant regulatory documents in force in the territory where the equipment is used, in case of non-satisfaction with these requirements, the user assumes all risks, and the equipment may be withdrawn from warranty service.
- If the equipment requires repair or any of its parts require replacement, contact the Torin Parts and Warranty Department at 1-888-44-TORIN (1-888-448-6746) for qualified technical assistance; It is recommended to use only original spare parts

0.5 Ton

Gear Structure Engine Stand with Oil Pan and Push Handle

Factory No: T25002



OWNER'S MANUAL

INSTRUCTIONS FOR USE

1.2 WHEN WORKING WITH THE STAND

- Do not exceed the maximum stand load of 500kg(1000lbs)
- It is not allowed to work directly under the engine hung out on the stand.
- It is not allowed to move the loaded stand on the surface with cracks or other damage
- Do not try to make changes to the design of the stand yourself.

Attention!

Please follow the instructions strictly. If the rules are not complied with, the warranty obligation will be terminated and the user may be injured

2. PURPOSE

The Torin engine repair stand is designed for easy access to the repaired engine from any side. The stand is equipped with a built-in gearbox for turning the suspended engine to any angle, which contributes to even easier access to the required place. The used oil collection tray keeps the working area clean. The use of this stand allows you to repeatedly increase the speed and quality of work performed.

3. EQUIPMENT

Position	Quantity, pcs
0.5 Ton Gear Structure Engine Stand	1
Instruction	1

4. TECHNICAL SPECIFICATIONS

Model	T25002
Maximum load, kg	500

5. REQUIREMENTS FOR THE PLACE OF USE

- The slope of the surface is not more than 3°
- Before starting work, make sure that the stand is firmly on the bearing surface.
- Uneven, understrength, or steeply sloping surfaces will create hazardous to fulfill the work conditions.
- The distance to the nearest obstacle must be sufficient so as not to interfere with a safe performance of work.

6. OPERATION

- Roll the stand up to the engine you want to mount on it.
- Loosen but do not unscrew the bolts of the holders so that the holders can rotate freely.
- Selecting the desired position of each holder, screw it with bolts (usually used gear box bell bolts, not included) to the engine
- After all the holders are securely screwed to the engine, the bolts must be tightened holders to the main plate
- It is possible to slowly remove the load from the device that holds the engine on the weight, in this way the stand will take the load on itself and will be ready for work
- To turn the motor to the desired angle, turn the gear knob clockwise or counterclockwise

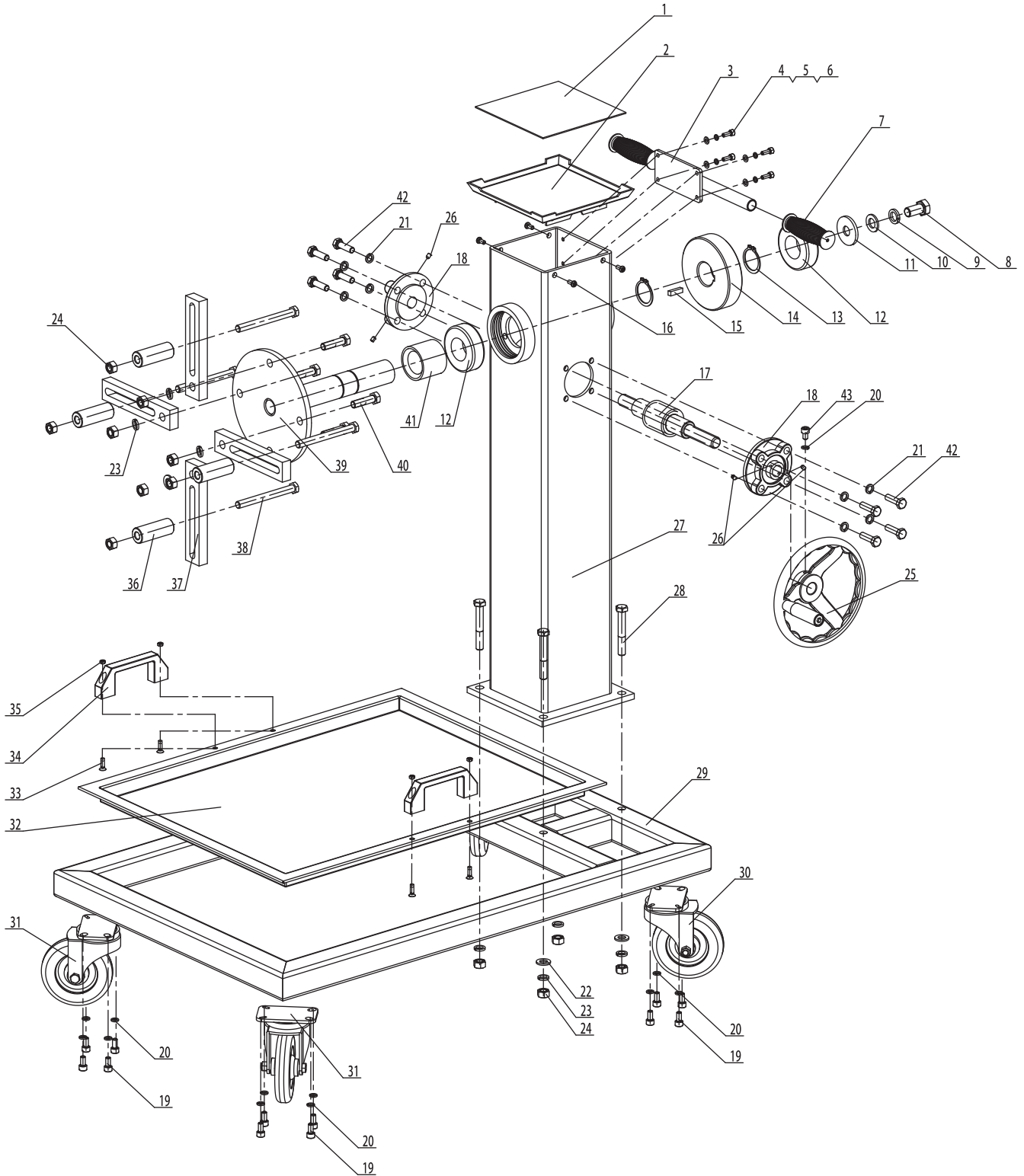
7. SERVICE

- It is recommended to use WD-40 or similar grease on moving parts of the stand to avoid corrosion.
- The gearbox oil should be changed once every 24 months. use reducer oil with a viscosity suitable for the climatic conditions of use of the stand

8. STORAGE

Products should be stored indoors with natural ventilation at temperature -10° to $+40^{\circ}$ Ambient air relative humidity does not exceed 80% condensation temperature $+25^{\circ}$ no moisture. Corrosive impurities are not allowed in the air.

9. ASSEMBLY DIAGRAM



10. PARTS LIST

No.	Description	QTY	No.	Description	QTY
1	Magnetic pad	1	22	Flat washer 12	8
2	Tool box component	1	23	Elastic washer 12	4
3	Push handle unit	1	24	Nut M12	12
4	Bolt M6*16	4	25	Crank unit	1
5	Elastic washer 6	4	26	Setting screw M6x8	4
6	Flat washer 6	4	27	Column component	1
7	Handle sleeve	2	28	Bolt M12x80	4
8	Bolt M16*30	1	29	Underframe component	1
9	Elastic washer 16	1	30	Brake universal wheel	2
10	Plain washer 16	1	31	Universal wheel	2
11	Bearing plate	1	32	Oil pan	1
12	Tapered roller bearings	2	33	Flat head screw M6x16	4
13	Shaft retaining ring 40	2	34	Carrying handle	2
14	turbine	1	35	Nut M6	4
15	Key 10x8x25	1	36	Lever fixed shaft	4
16	Screw with half round head M6x10	4	37	Arm of force	4
17	Worm	1	38	Bolt M12x120	4
18	Bearing seat	2	39	Mounting plate component	1
19	Screw M8x16	17	40	Bolt M12x50	4
20	Elastic washer 8	17	41	Stop sleeve	1
21	Elastic washer 10	8	42	Bolt M10x35	8
			43	Screw M8x20	16

11. WARRANTY

- 11.1. Warranty period: one year from the date of purchase.
- 11.2. The free warranty applies only to defects in material and workmanship, to the exclusion of any other inappropriate action.
- 11.3. The warranty does not apply to equipment that has structural changes, mechanical or technical damage, signs of corrosion, chemical exposure caused by misuse or in violation of the rules and regulations of operation and storage.

Distributed by / Distribuido por:

TORIN INC.
Ontario, CA 91761

FOR CUSTOMER SERVICE
 PARA EL SERVICIO PARA EL

www.torin-usa.com/support

Made in China / Hecho en China
www.torin-usa.com

