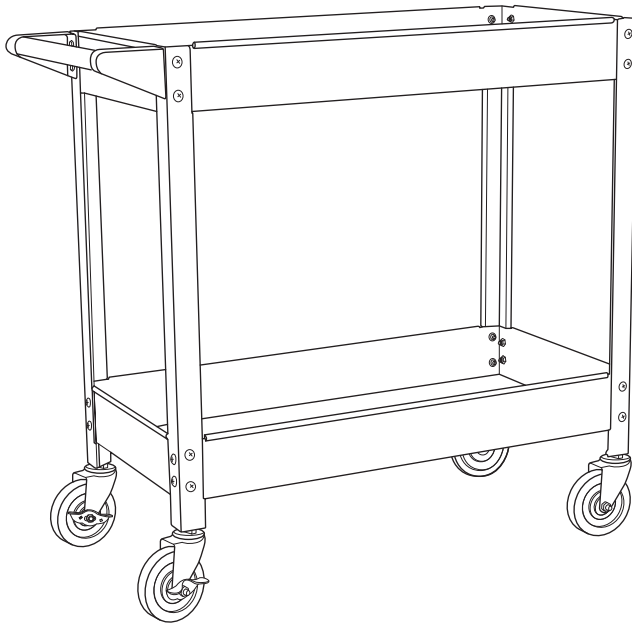




STEEL 2 SHELVES MULTIPURPOSE TUB UTILITY SUPPLY CART WITH 300 LB CAPACITY



OWNER'S MANUAL

INSTRUCTIONS FOR USE



IMPORTANT SAFEGUARDS



Read these instructions carefully and retain them for future use. If this product is passed to a third party, then these instructions must be included.

When using the product, basic safety precautions should always be followed to reduce the risk of injury including the following:

- For domestic use only.
- A competent adult must assemble this product.
- Keep children and pets away while assembling up the product.
- Always use on a firm, level ground.
- Do not use this product if any parts are missing, are damaged or worn.
- To avoid scratching the floor, assemble the product on a soft surface, such as a carpet.
- Do not overtighten the fasteners (hardware).
- Regularly examine the product for wear and tear. Replace at first sign of damage or if parts become detached.
- Do not use power tools to assemble the product. Power tools may strip or damage the parts.
- Do not overload the product. Load the product evenly and place the heaviest items on the lower shelves.
- Do not sit or stand on the top shelf.
- Regularly check brakes for proper operation. Apply brakes one at a time and attempt to move the equipment to make sure that each brake is not slipping or loose.
- Never exceed the maximum load capacity of 300 lbs (136 kg).

⚠ CAUTION **Risk of injury!** Product can tip over. Do not let children climb on or play with the product.

IMPORTANT, RETAIN FOR FUTURE REFERENCE: READ CAREFULLY

Before First Use

- Check for transport damages.

⚠ DANGER **Risk of suffocation!** Keep any packaging materials away from children – these materials are a potential source of danger, e.g. suffocation.

Cleaning and Maintenance

Cleaning

- To clean, wipe with a soft, slightly moist cloth.
- Never use corrosive detergents, wire brushes, abrasive scourers, metal or sharp utensils to clean the product.

Maintenance

- Regularly check that all the components and fasteners (hardware) are tightened.
- Store in a cool and dry place away from children and pets, ideally in original packaging.

Specifications

Dimensions (W x H x D):	28.7 x 14.9 x 30.7" (73.5 x 38 x 78 cm)
Weight:	25.3 lbs (11.47 kg)
Max. load:	300 lbs (136 kg)

Feedback and Help

Love it? Hate it? Let us know with a customer review.

AmazonBasics is committed to delivering customer-driven products that live up to your high standards. We encourage you to write a review sharing your experiences with the product.



US: [amazon.com/review/review-your-purchases#](https://www.amazon.com/review/review-your-purchases#)

UK: [amazon.co.uk/review/review-your-purchases#](https://www.amazon.co.uk/review/review-your-purchases#)

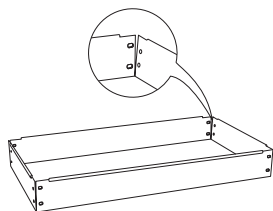


US: [amazon.com/gp/help/customer/contact-us](https://www.amazon.com/gp/help/customer/contact-us)

UK: [amazon.co.uk/gp/help/customer/contact-us](https://www.amazon.co.uk/gp/help/customer/contact-us)

Contents

1



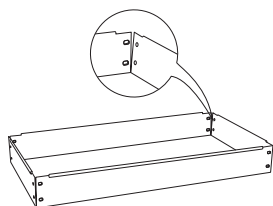
x1

7



x2

2



x1

8



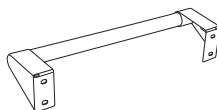
x2

3



x1

9



x1

4



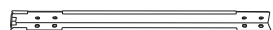
x1

10



x32

5



x1

11



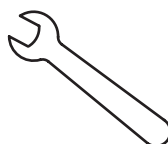
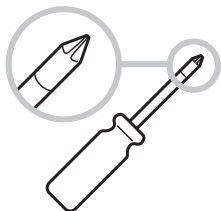
x32

6



x1

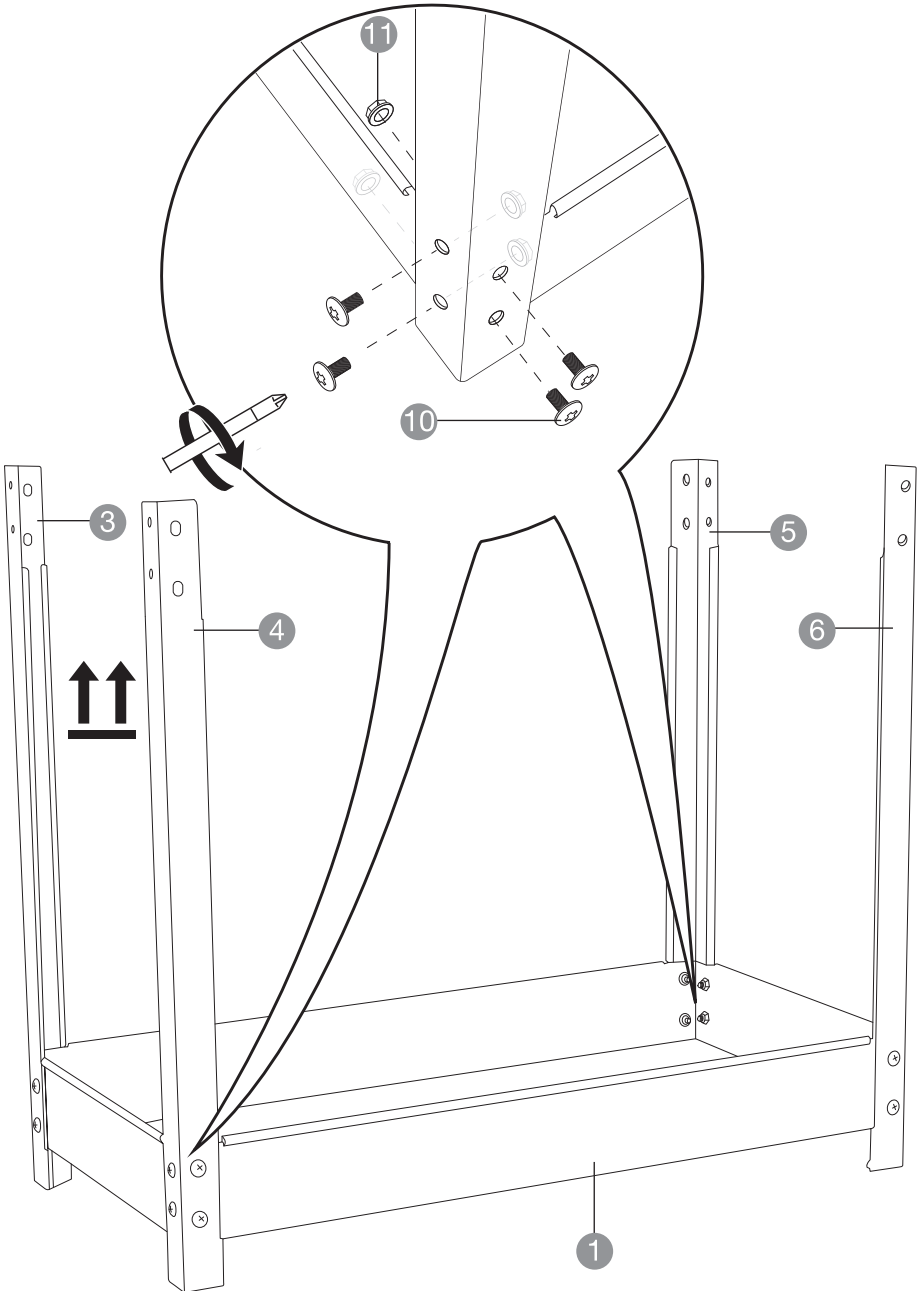
You will need / Vous aurez besoin de / Sie benötigen / Sono necessari / Necesitará / Je zal nodig hebben / 必要な物:



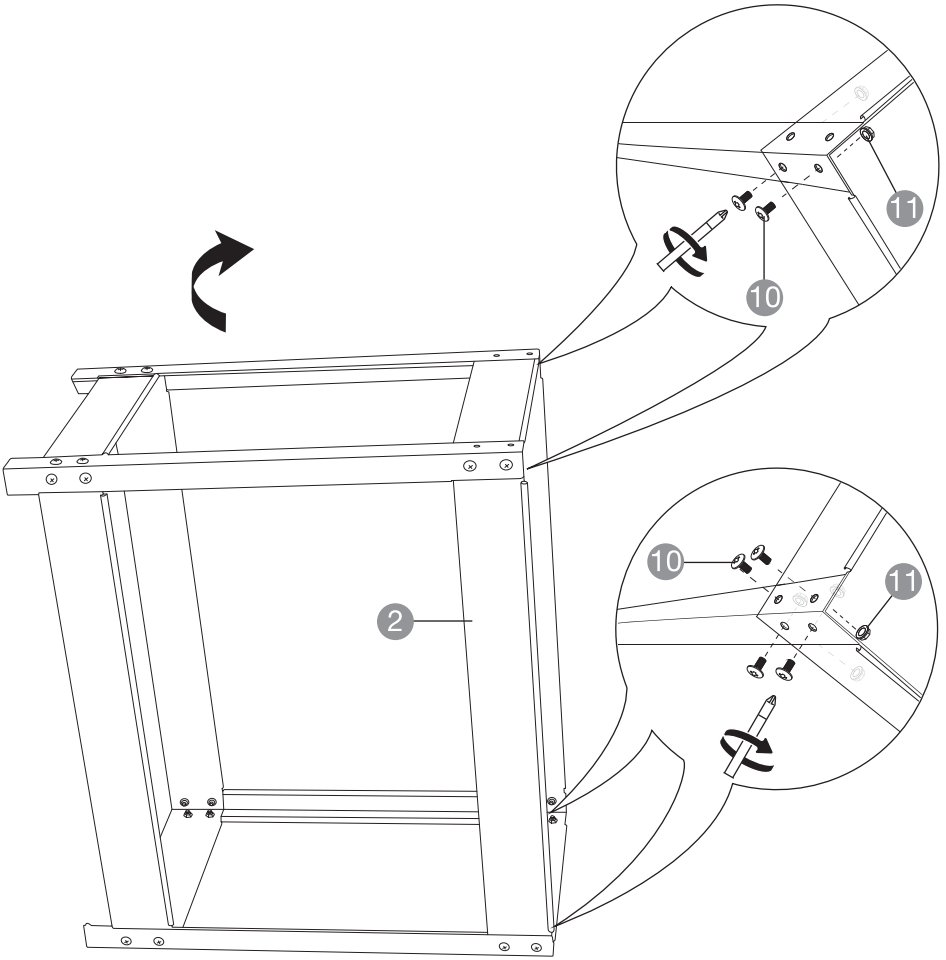
3/8" (10 mm)

Assembly

1:



2:





Distributed by / Distribuido por:

TORIN INC.

Ontario, CA 91761

FOR CUSTOMER SERVICE
PARA EL SERVICIO PARA EL

www.torin-usa.com/support

Made in China / Hecho en China
www.torin-usa.com

