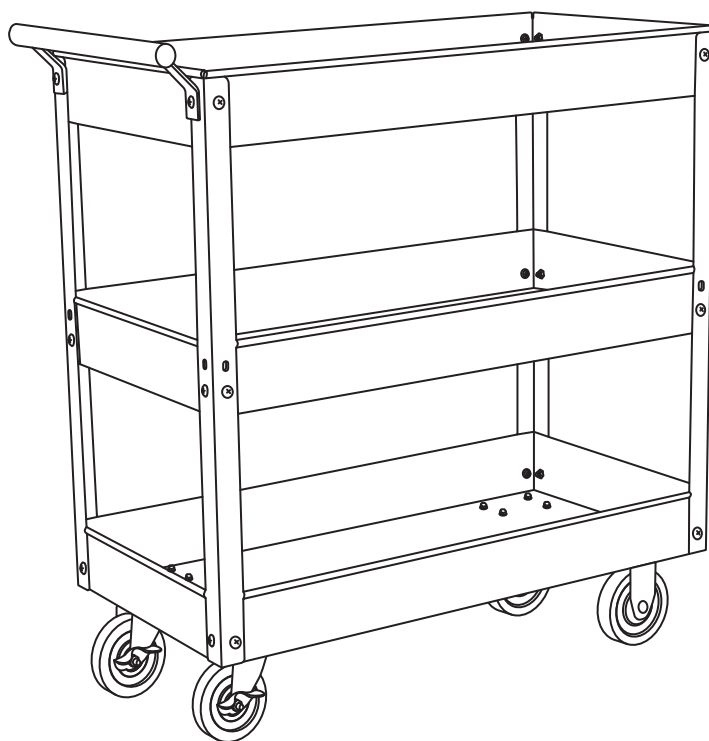


Steel 3-Shelf Multipurpose Tub Utility/Supply Cart



OWNER'S MANUAL

INSTRUCTIONS FOR USE

Welcome Guide • English

IMPORTANT SAFEGUARDS



Read these instructions carefully and retain them for future use. If this product is passed to a third party, then these instructions must be included.

When using the product, basic safety precautions should always be followed to reduce the risk of injury including the following:

- For domestic use only.
- A competent adult must assemble this product.
- Keep children and pets away while assembling up the product.
- Always use on a firm, level ground.
- Do not use this product if any parts are missing, are damaged or worn.
- To avoid scratching the floor, assemble the product on a soft surface, such as a carpet.
- Do not overtighten the fasteners (hardware).
- Regularly examine the product for wear and tear. Replace at first sign of damage or if parts become detached.
- Do not use power tools to assemble the product. Power tools may strip or damage the parts.
- Do not overload the product. Load the product evenly and place the heaviest items on the lower shelves.
- Do not sit or stand on the top shelf.
- Regularly check brakes for proper operation. Apply brakes one at a time and attempt to move the equipment to make sure that each brake is not slipping or loose.
- Never exceed the maximum load capacity of 440 lbs (250 kg).

⚠ CAUTION **Risk of injury!** Product can tip over. Do not let children climb on or play with the product.

IMPORTANT, RETAIN FOR FUTURE REFERENCE: READ CAREFULLY

Before First Use

- Check for transport damages.

⚠ DANGER **Risk of suffocation!** Keep any packaging materials away from children – these materials are a potential source of danger, e.g. suffocation.

Cleaning and Maintenance


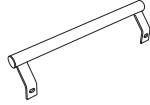


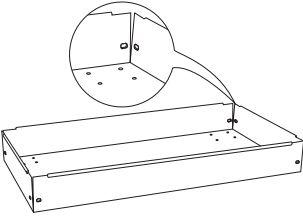
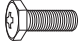
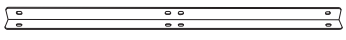




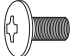
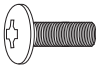
Cleaning

- To clean, wipe with a soft, slightly moist cloth.
- Never use corrosive detergents, wire brushes, abrasive scourers, metal or sharp utensils to clean the product.

Maintenance

- Regularly check that all the components and fasteners (hardware) are tightened.
- Store in a cool and dry place away from children and pets, ideally in original packaging.

Contents

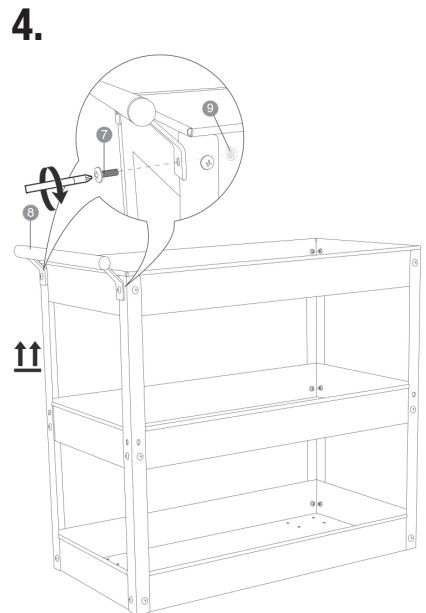
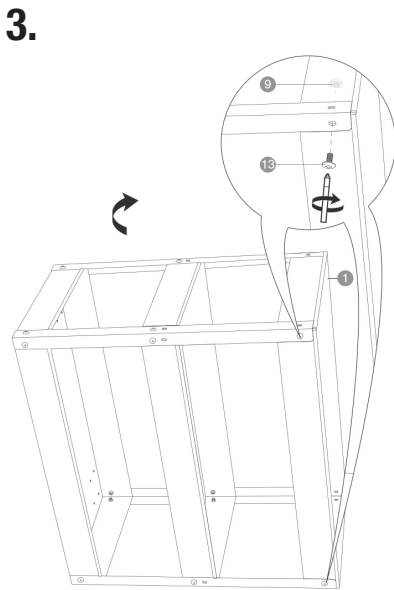
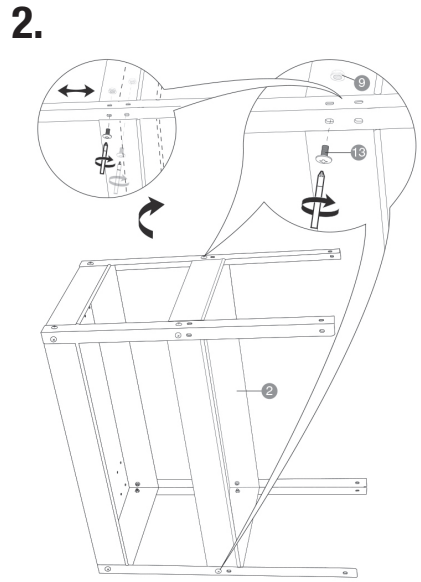
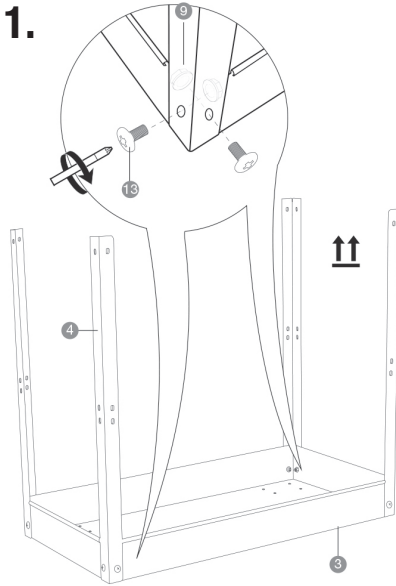
1		x1	8		x1
2		x1	9		x40
3		x1	10		x16
4		x4	11		x16
5		x2	12		x16
6		x2	13		22
7		x2			

You will need:



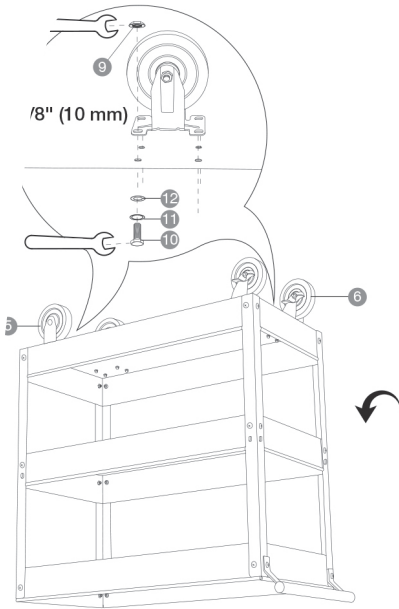
3/8" (10 mm)

Assembly



Assembly

5.



Distributed by / Distribuido por:

TORIN INC.
Ontario, CA 91761

FOR CUSTOMER SERVICE
PARA EL SERVICIO PARA EL

www.torin-usa.com/support

Made in China / Hecho en China

www.torin-usa.com

