



USER'S MANUAL
TOOL CART

Important

When you open the cartons, carefully check the contents and make sure there is no damage. If you have any problems or you find any parts damaged or missing, Please contact us first.

Do not return the product to the store before contacting us. Do not dispose of your cartons until you are completely satisfied with your products.

To reduce the risk of injury, the user should read and understand this owner's manual before assembling and using these products for the first time.

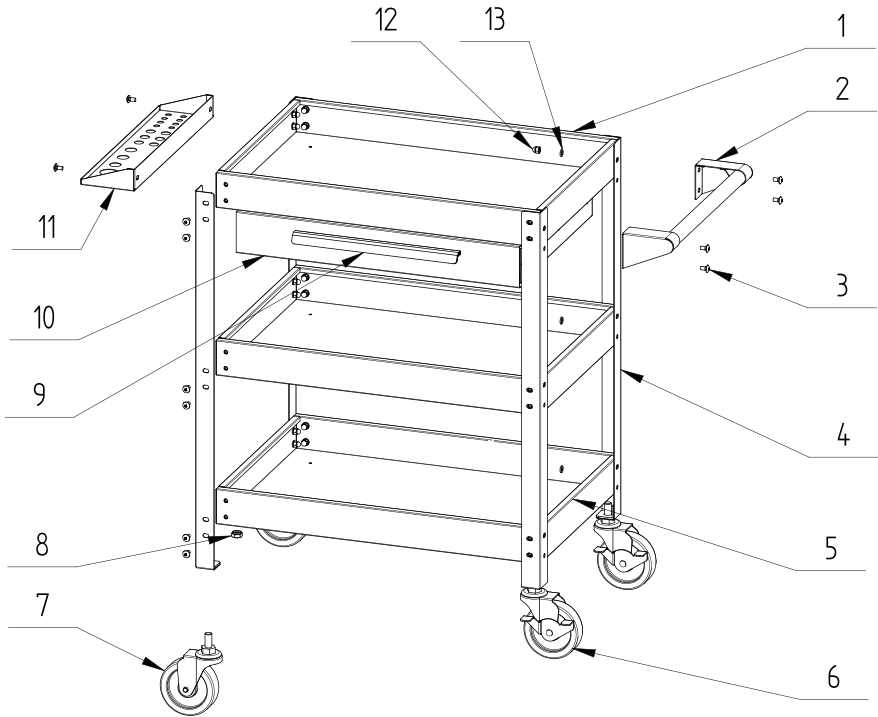
Safety Guidelines

- WARNING** Use two or more people to move, assemble, and install the product to avoid any injury.
- WARNING** DO NOT leave children unattended near the product.
- WARNING** DO NOT stand on the product or lean on the drawers or worktop.
- WARNING** WEAR SAFETY GLASSES when removing or repositioning the slides. The tools could slip, which may cause personal injury.
- WARNING** DO NOT alter the product in any manner. For example, do not weld external lock bars or attach unapproved electrical equipment. This may cause product damage, personal injury, or death.
- WARNING** DO NOT OVERLOAD PRODUCTS ! The components of the product are designed to maximum weight capacities 330lbs(150kgs)
- CAUTION** BE CAREFUL when opening more than one drawer. The product could become unstable and tip, which may cause product damage or personal injury.
- CAUTION** High risk of tipping if the product is not installed correctly. Securely attach the product to the wall to avoid serious injury.

Unpacking

1. Please make sure you have received all your packages for this product.
2. Start by placing the package on flat covered ground.
3. Remove all cardboard, honey comb board, foam packaging material and clear plastic bags.
4. Recycle all packaging materials.
5. Verify all the contents are included and gather the tools required.

Assembly Instructions



Parts List

No.	Description	Qty	No.	Description	Qty
1	Top tray	1	8	M12 lock nut	4
2	Handle	1	9	Aluminum handle for the drawer	1
3	M6x10 bolt	40	10	Drawer	1
4	Leg	4	11	Tool holder	1
5	Bottom tray	2	12	M6 safety bolt	48
6	Swivel caster with brake	2	13	Washer	48
7	Swivel caster	2	14	Self tapping screws	3

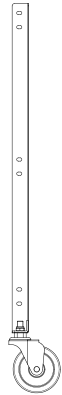
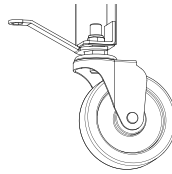
Install the tool cart

Note: There is a small wrench to help you to install the casters.

We recommend at least 2 adults needed to finish the assembly.

1 . Install the casters

Install the casters on the legs with M12 lock nut(8), please use the small wrench when operation. Finish the four legs with the casters one by one.

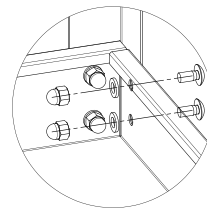
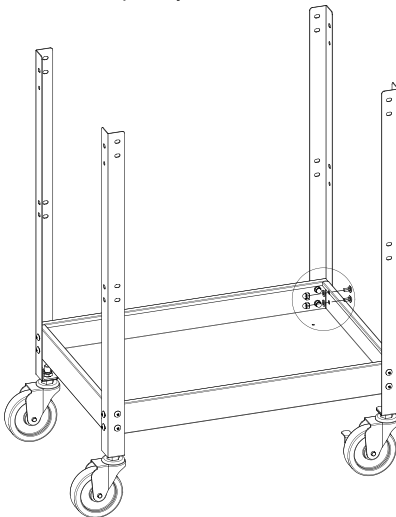


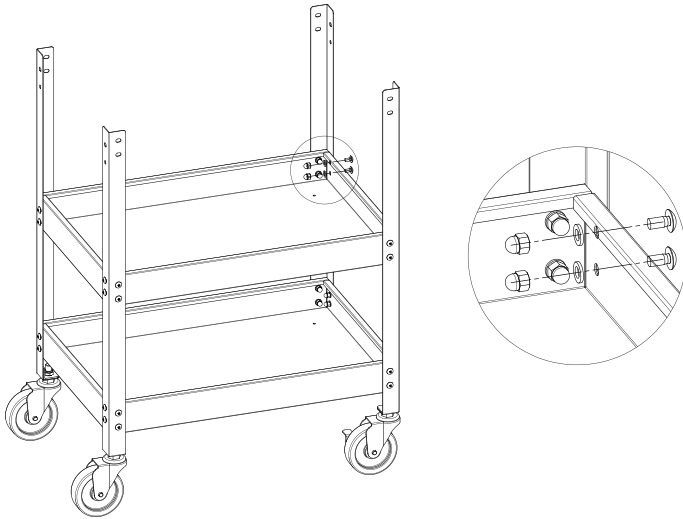
2 . Fasten legs to the bottom tray

Note: Please open the brake of casters before you start this step.

Use M6X10 bolts(3) to connecting the legs and tray with washers(13)and M6 safety bolt(12). Repeat above step to the second tray.

DO NOT tighten bolts completely.



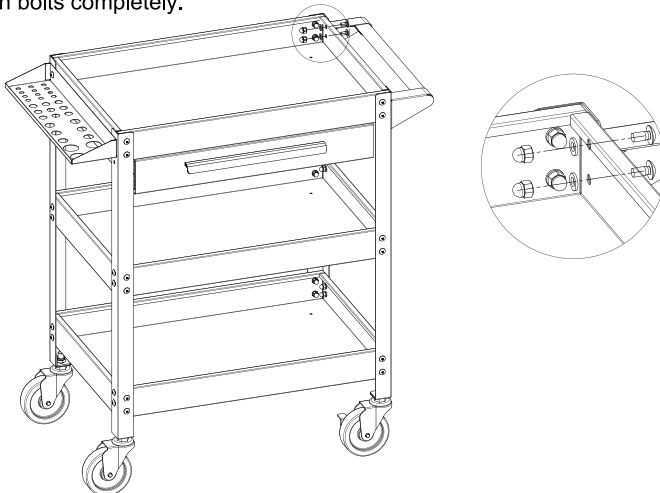


3 . Fasten the top tray

Note: The top tray has already installed the drawer.

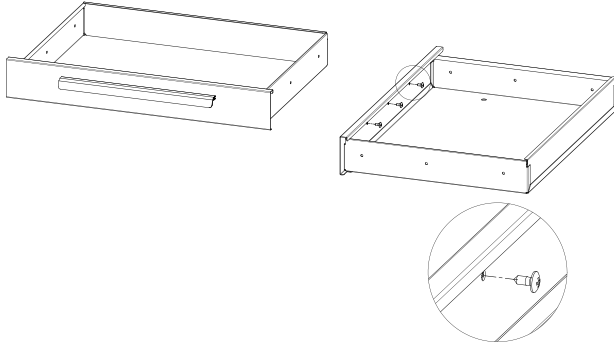
Use M6X10 bolts(3) to connecting the legs and tray with washers(13)and M6 safety bolt(12). Please connect the front and back of the tray with legs first, then install the handle and tool holder on the side.

DO NOT tighten bolts completely.



4. Install the aluminum handle for the drawer

Position the aluminum handle (9) in the middle of the drawer, Use self-tapping screws(14) to install the aluminum handle.



5. Tighten all the bolts

Once all the bolts are installed, tighten them completely.

Maintenance

1. Periodically clean the work bench with mild detergent and water.
2. For safety, use a non-flammable cleaning fluid. Grease and oil can be removed with most standard cleaning fluids.
3. Do NOT allow water and other fluids to remain on the work bench for any length of time.
4. DO NOT OVERLOAD PRODUCTS ! The components of the product are designed to maximum weight capacities 330lbs(150kgs).

