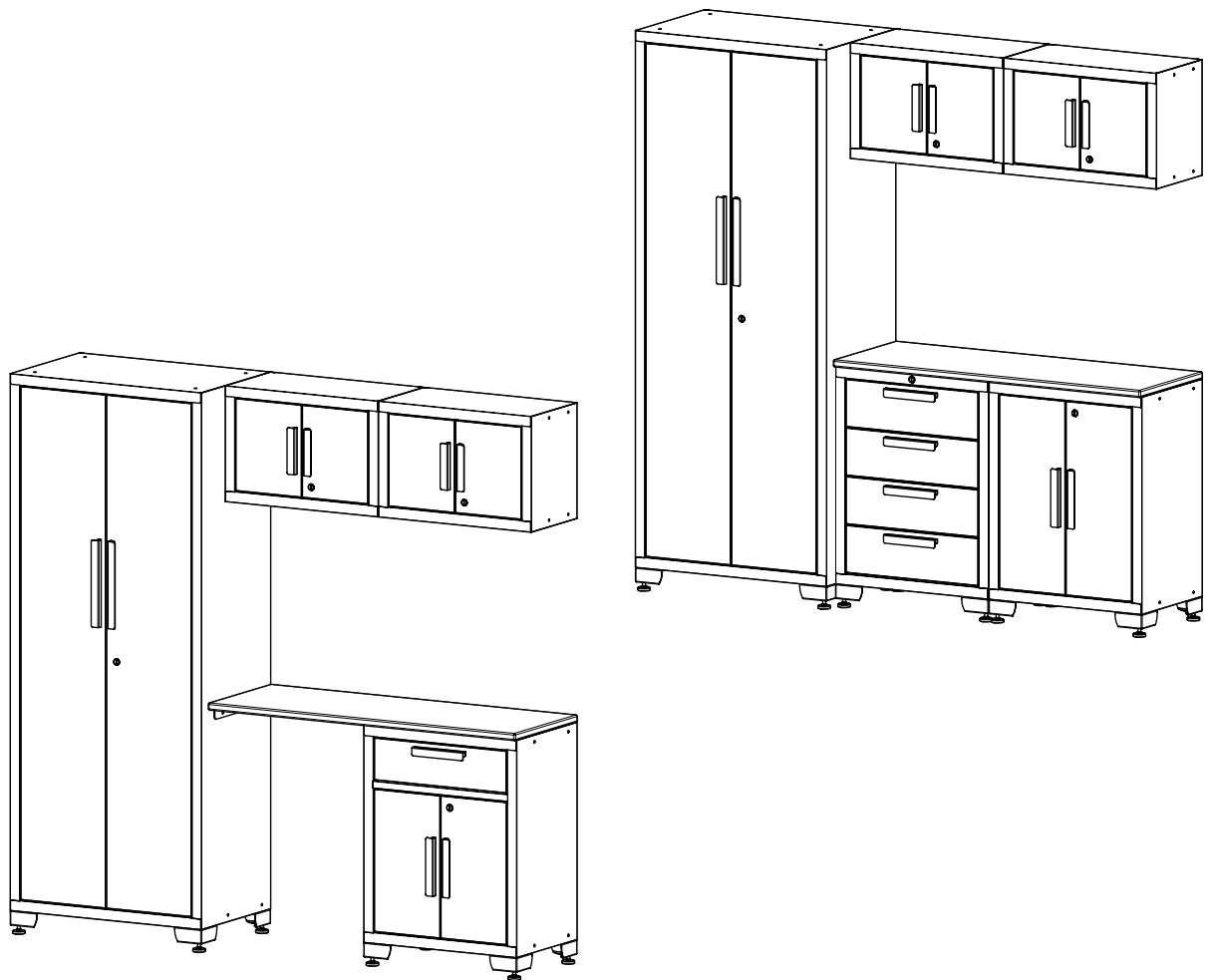




GARAGE CABINET SERIES



OWNER'S MANUAL

INSTRUCTIONS FOR USE



Important

When you open the cartons, carefully check the contents and make sure there is no damage. If you have any problems or you find any parts damaged or missing, Please contact with us first.

Do not return the product to the store before contacting us. Do not dispose of your cartons until you are completely satisfied with your products.

To reduce the risk of injury, the user should read and understand this owner's manual before assembling and using these products for the first time.

Fill in the following information and retain this manual for future reference:

Item No. _____
 Date of Purchase _____
 Place of Purchase _____
 Receipt No. _____

Safety Guidelines



Use two or more people to move, assemble, and install the product to avoid any injury.



DO NOT leave children unattended near the product.



DO NOT stand on the product or lean on the drawers or worktop.



WEAR SAFETY GLASSES when removing or repositioning the slides. The tools could slip, which may cause personal injury.



DO NOT alter the product in any manner. For example, do not weld external lock bars or attach unapproved electrical equipment. This may cause product damage, personal injury, or death.



DO NOT OVERLOAD PRODUCTS! The components of the product are designed to carry the following maximum weight capacities:

Cabinet	Shelf Weight Capacity (lbs.)	Drawer Weight Capacity (lbs.)	Bottom Weight Capacity (lbs.)	Top Weight Capacity (lbs.)	Overall Weight Capacity (lbs.)
Locker	150	/	220	150	820
Wall Cabinet	/	/	100	/	100
2-Door Base Cabinet	150	/	150	220	520
4-Drawer-Cabinet	/	100x4	/	220	620
1-Drawer-Cabinet	150	100x1	150	220	620



BE CAREFUL when opening more than one drawer. The product could become unstable and tip, which may cause product damage or personal injury.



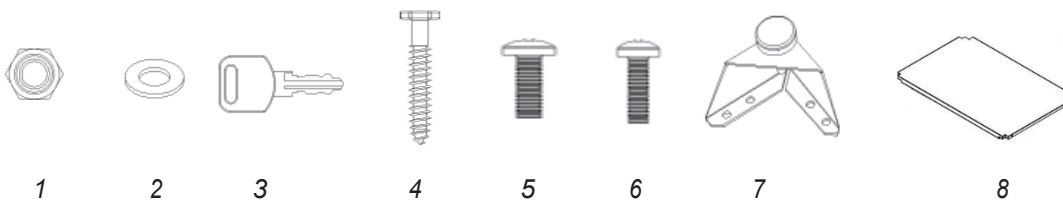
High risk of tipping if the product is not installed correctly. Securely attach the product to the wall to avoid serious injury.

Unpacking

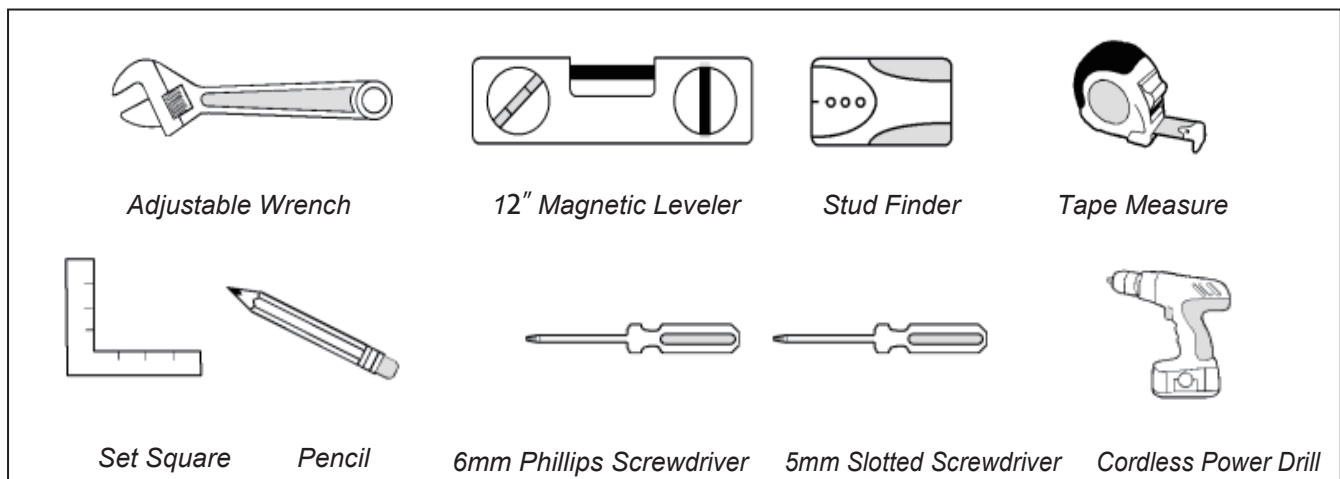
1. Start by placing the package on flat covered ground.
2. Remove all cardboard, honey comb board, foam packaging material and clear plastic bags.
3. Recycle all packaging materials.
4. Verify all the contents are included and gather the tools required.

Hardware Included

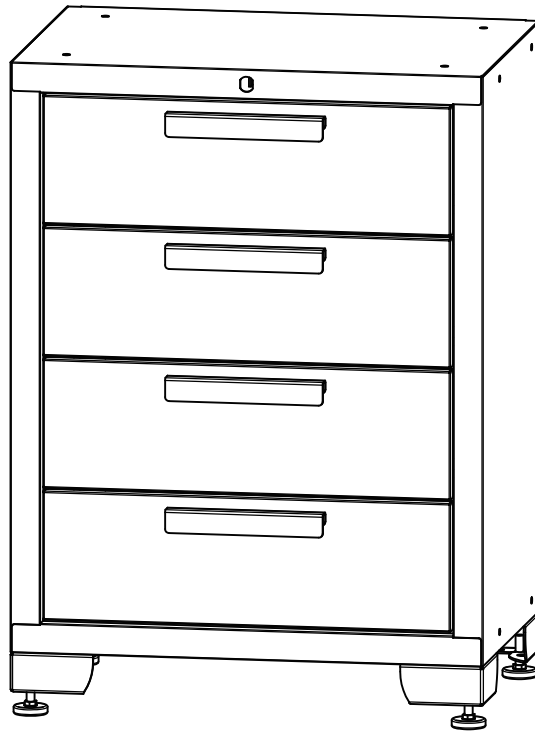
No.	DESCRIPTION	QTY. FOR WALL CABINET	QTY. FOR BASE CABINET	QTY. FOR LOCKER	QTY.FOR 4-DRAWER CABINET	QTY.FOR 1-DRAWER CABINET
1	M6 Hex Flange Nut	4	4	4	4	4
2	Flat Washer	4	2	4	2	2
3	Key	2	2	2	2	2
4	M5 x 50 Hex Tapping Bolt	4	2	4	2	2
5	M6 x 12 Flat-Head Bolt	4	24	20	24	24
6	M5 x 12 Flat-Head Bolt (on the door)	4	4	4	8	6
7	Adjustable Leveling Feet	0	4	4	4	4
8	Shelf	0	1	3	0	1



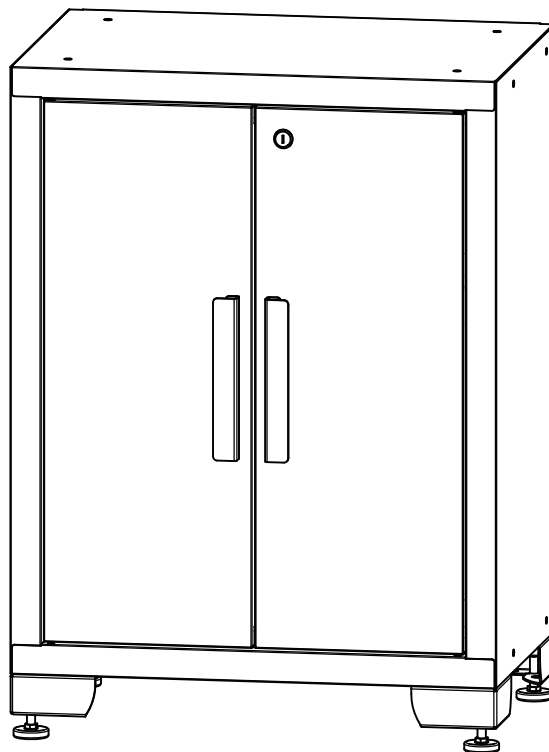
Tools Required



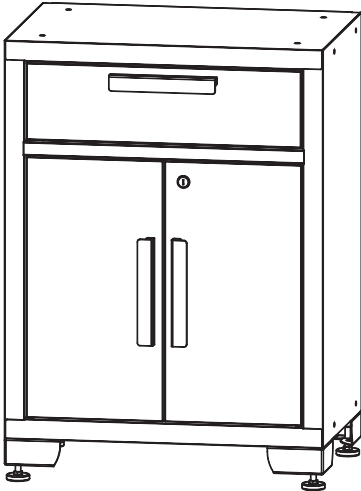
4-Drawer Cabinet



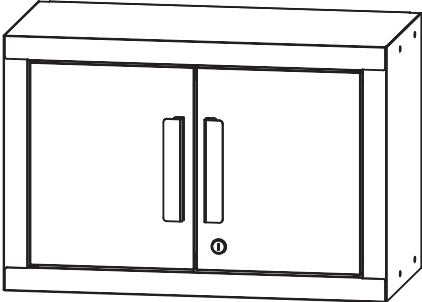
2-Door Base Cabinet



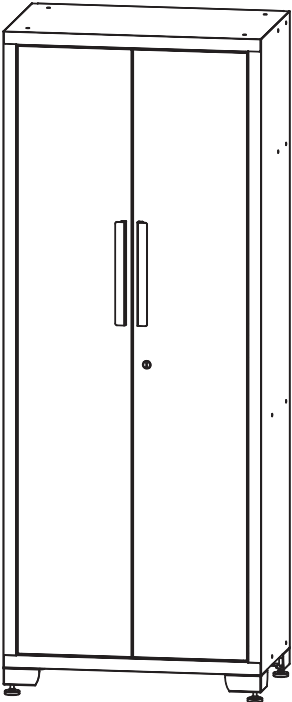
1-Drawer 2-Door Cabinet



Wall Cabinet



Locker

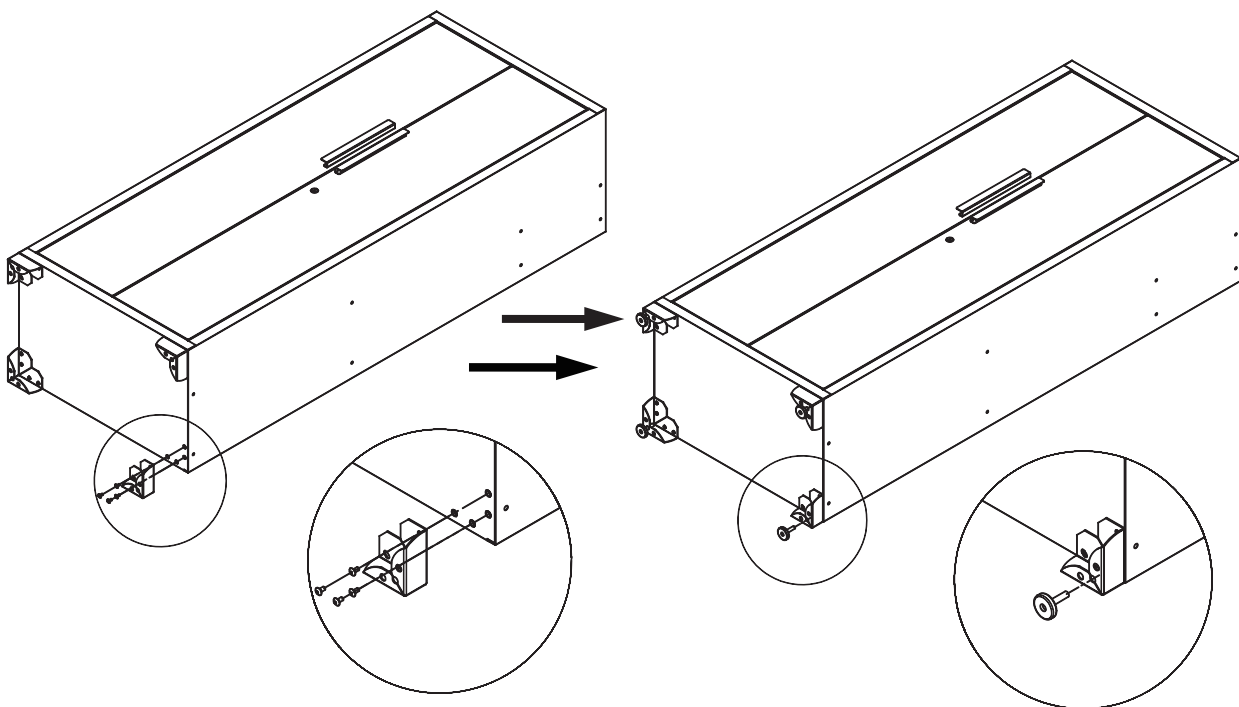


Installing the Handles

Unscrew the bolts on the front of the drawers or the doors using a Phillips screw driver to remove the handle on the back of it, then attach the handle to the front of the door or the drawer using two **M5x12** flat head bolts. Repeat for all the doors and drawers.

Installing the Feet

Carefully set the locker / 2-door base cabinet / 1-drawer 2-door cabinet on its back or then attach the adjustable leveling feet to the locker or the cabinet using sixteen **M6x12** flat-head bolts with a Phillips screw driver.



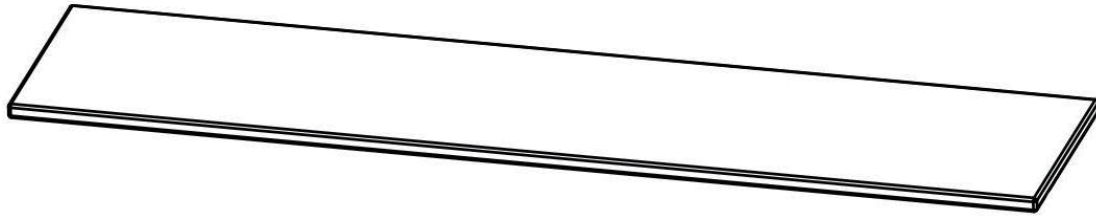
Installing the Shelves

Check the location need, carefully put the shelf into the slot .
Please make sure the shelf is stable.

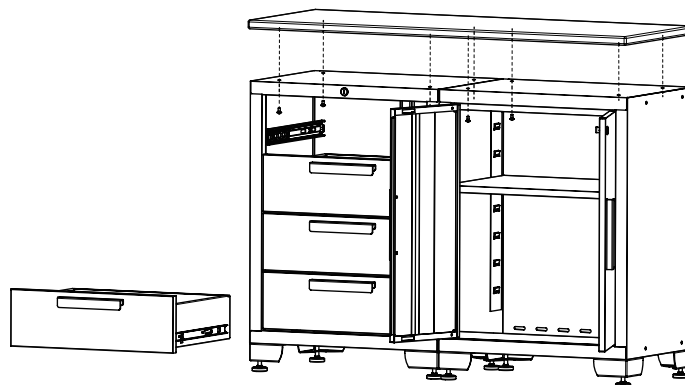
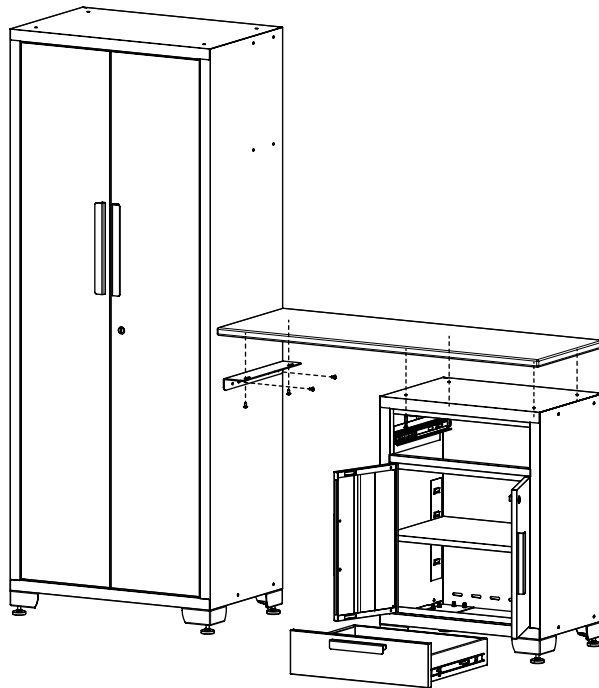
NOTE: A center shelf must be installed level with the lock on the cabinet door in order for lock to work.

Installing the Worktop

Open the doors or remove the drawers to make sure that you have enough space to install the worktop.



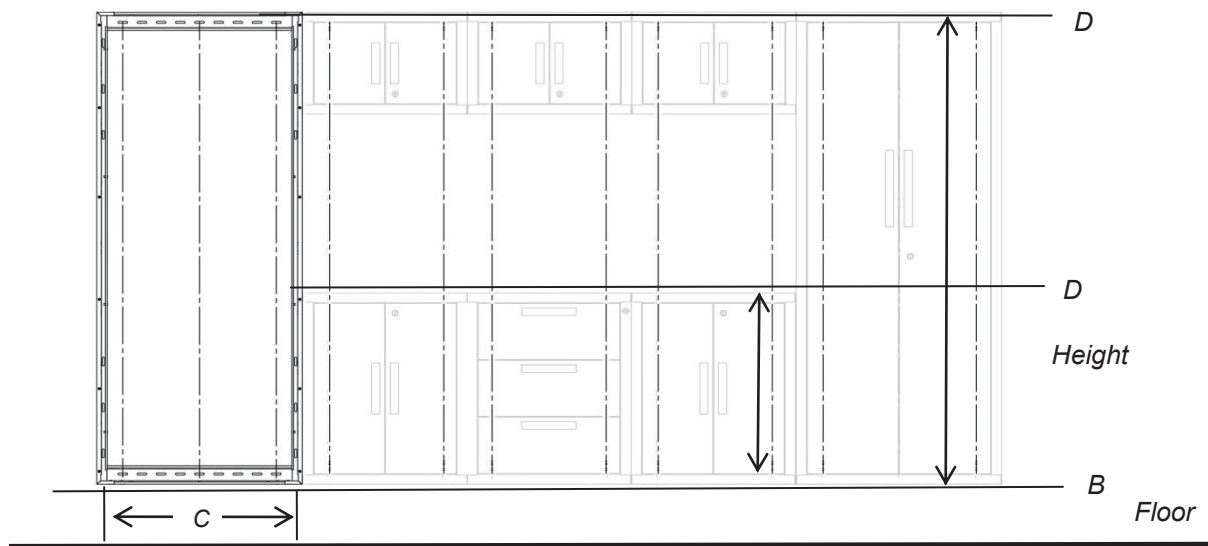
Carefully place the wood worktop on the cabinets and fasten it with cordless power drill and four screws in the parts package of each base cabinet / drawer cabinet.



Setup

1. Planning the position of the cabinets

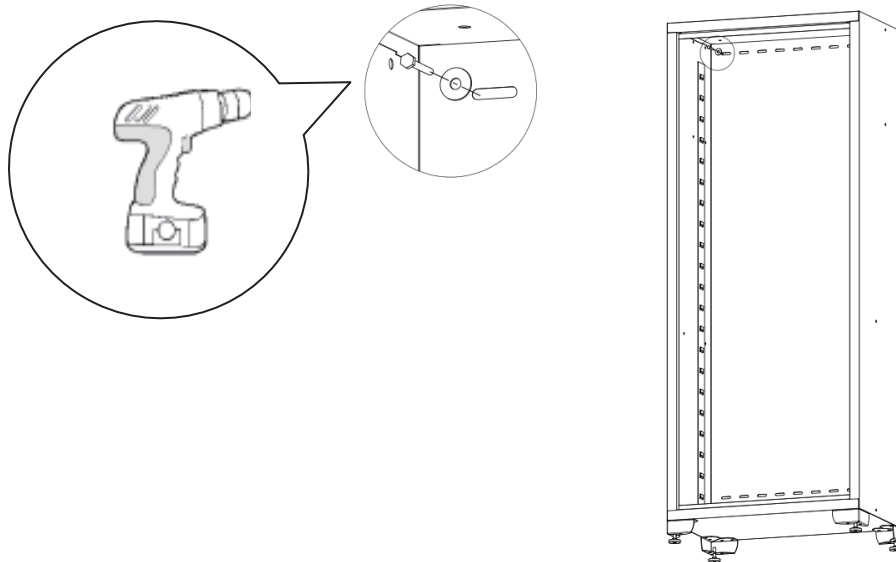
- A. Use a tape measure to measure and record the height and width of each cabinet.
- B. Determine how high off the ground you would like the cabinets to be (80mm-105mm) and make a horizontal mark at that position.
- C. Mark the width of each cabinet recorded in step A at the intended position, to ensure that the wall cabinets will align properly.
- D. Measure up from the line marked in step B and make a horizontal mark at each cabinet's height as recorded in step A, to determine where the top of the cabinets will be.
- E. Make sure that the cabinets will be at a suitable height and the wall cabinets are not out of reach.



Note: Make sure that there are two studs to mount the locker on as it is easiest to start the installation with the locker first. Due to the spacing of the wall studs, some wall cabinets maybe have only one stud to attach to; this is acceptable if the wall cabinets are bolted together.

2. Hanging the lockers and wall cabinets on wall

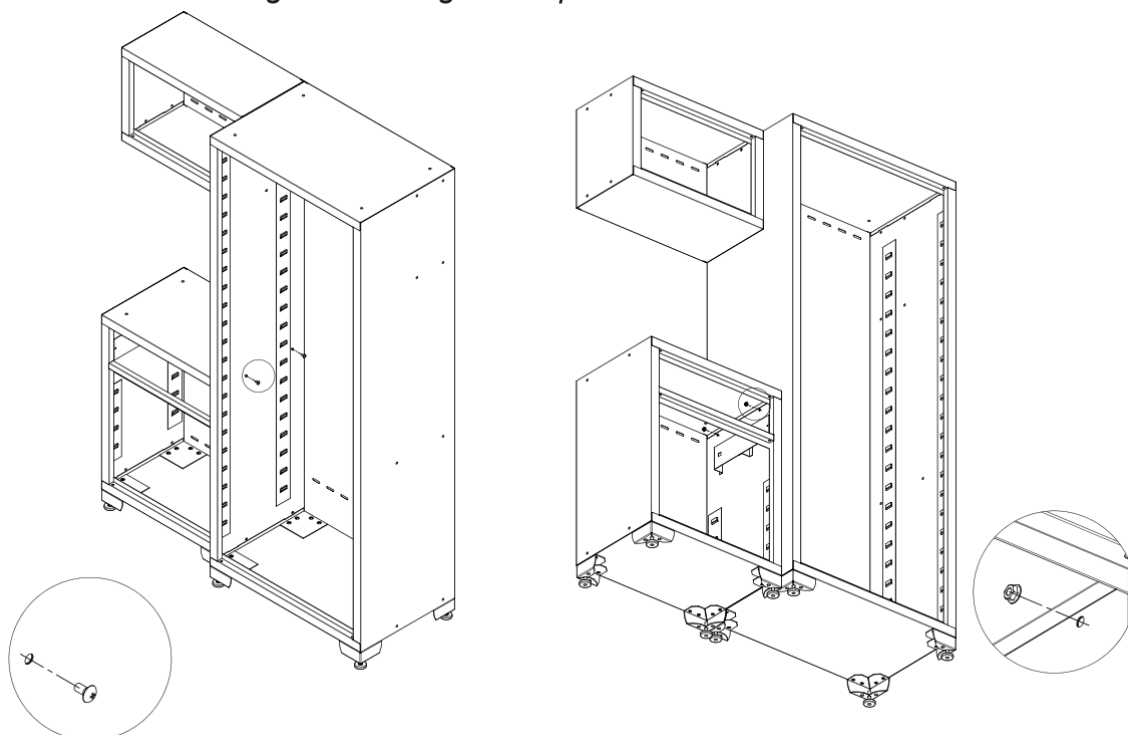
Open the doors and align the top of the locker with the lines marked for the position of the top of the cabinets and securely attach locker into the studs using four M5x50 hex tapping bolts and four flat washers.



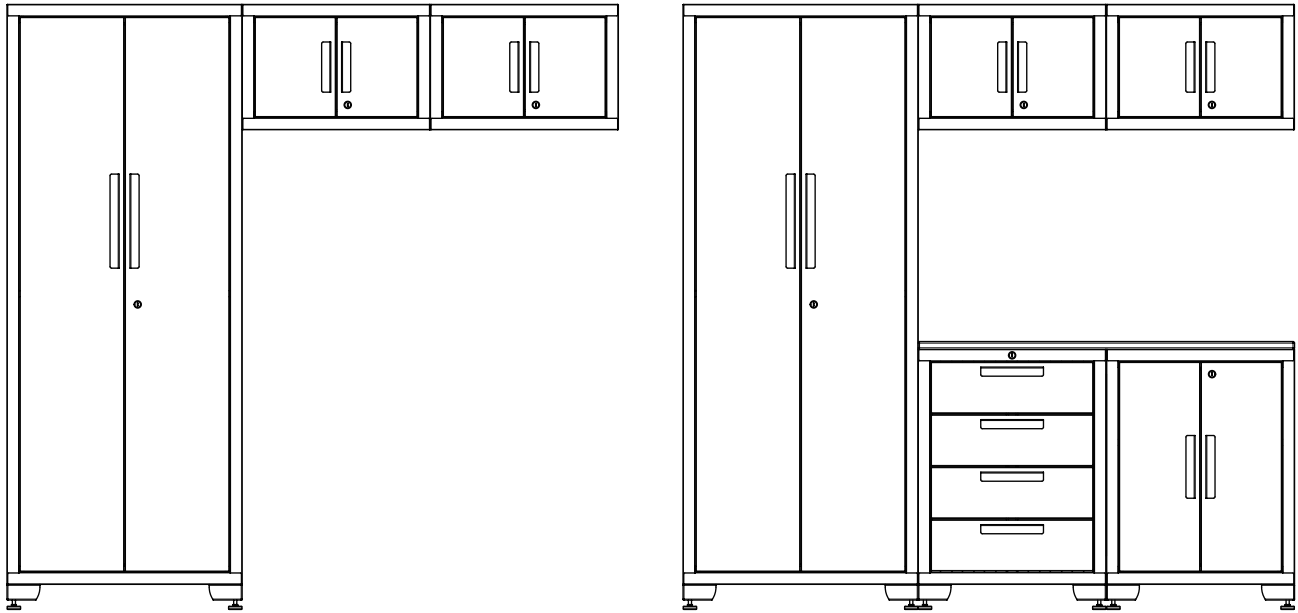
Repeat for the other locker and wall cabinets.

3. Connecting the cabinets and lockers together

For the cabinet set, open all the doors and remove the top drawer. Push the base/wall cabinet and locker together. Insert M6x12 flat-head bolts through the two interior holes and secure them together with M6 Hex flange nuts using a Phillips screw driver and wrench.



Repeat for the other locker and cabinets.
Tighten all the bolts to fasten the cabinets and level the cabinets.
The installation of the garage cabinet set is finished.

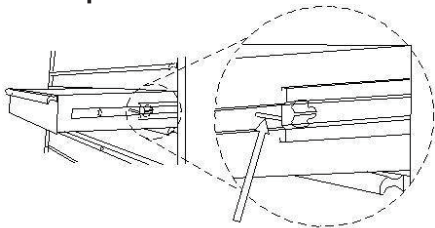


Operation

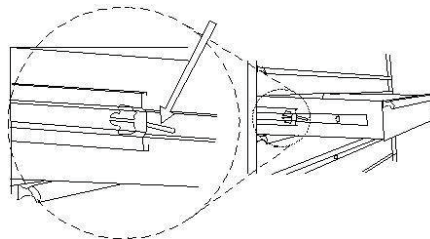
Drawer Removal

Pull the drawer out so that it's almost fully extended. Push up on the black release lever on one side, while pulling down on the black release lever on the other side. While holding the levers in the positions as illustrated below, pull the drawer outward until it is released from the drawer slide.

Push up one side



Push down the other side



Drawer Replacement

Extend the drawer slides from the cabinet. Insert the brackets on each side of the drawer into the slots in the slides, being careful to position them properly. Once inserted, close the drawer completely to set the slides in their proper positions.

Maintenance

1. Lubricate the slides twice a year with a quality lubricant. This is especially necessary when the temperature drops, which may cause the bearings to be stiff.

2. Periodically clean the drawer fronts, doors, handles and other surfaces with mild and water.

3. For safety, use a non-flammable cleaning fluid. Grease and oil can be removed with most standard cleaning fluids.



Distributed by / Distribuido por:

TORIN INC.

Ontario, CA 91761

FOR CUSTOMER SERVICE
PARA SERVICIO AL CLIENTE

www.torin-usa.com/support

Made in China / Hecho en China

www.torin-usa.com

