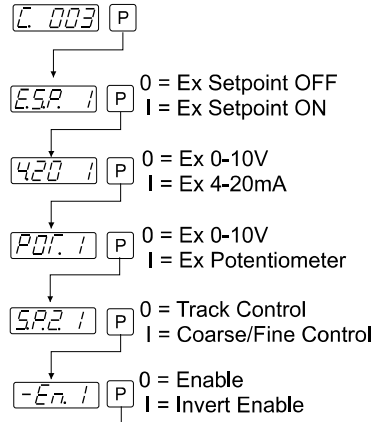


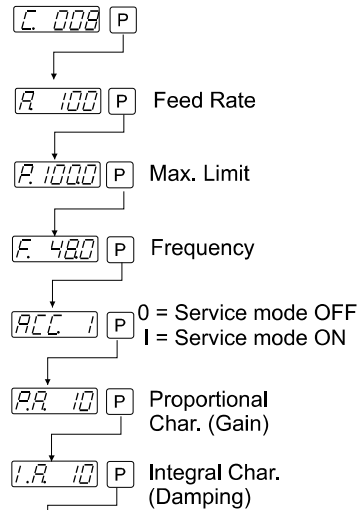
MFS Programming

Function Settings



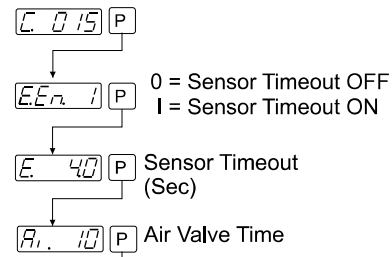
Operating mode

Control Mode



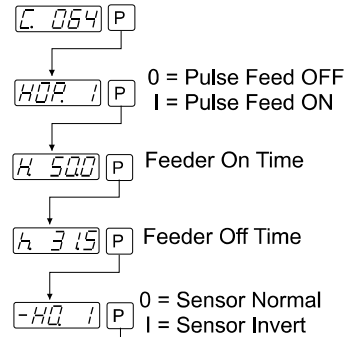
Operating mode

Special Functions



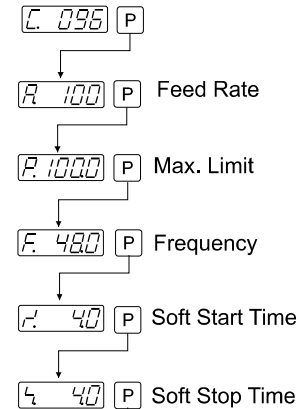
Operating mode

Pulse Feed



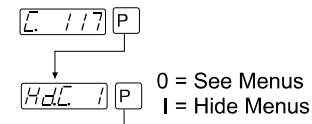
Operating mode

Feeder



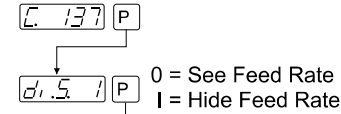
Operating mode

Inhibit Access



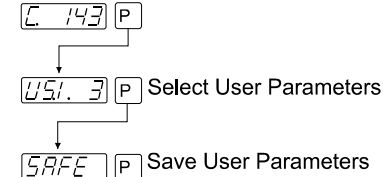
Operating mode

Inhibit Setpoint Access



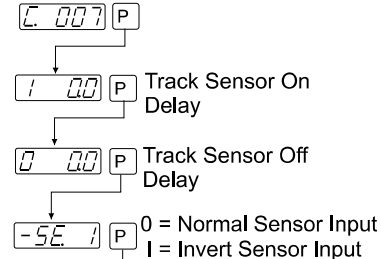
Operating mode

Save Parameter



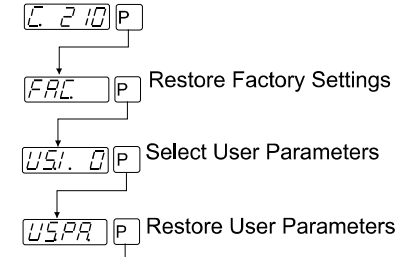
Operating mode

Track Control



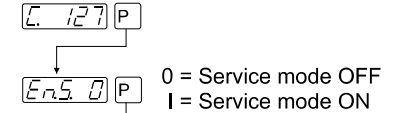
Operating mode

Restore Parameters



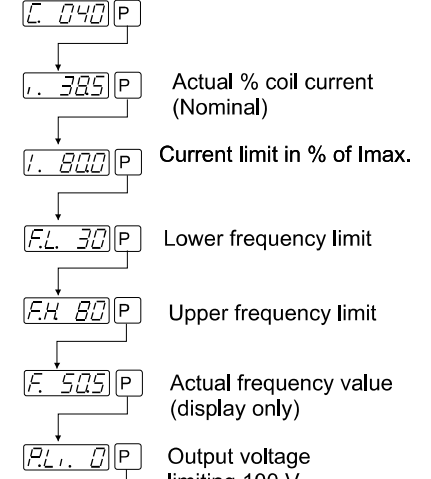
Operating mode

Enable Service Menu



Operating mode

Service Menu



Operating mode