



# RAISE3D

## Webcam

Installation Guide - **N1**



# Installation Guide of Webcam

## (N-Series Printer Only)

### Contents:



1. Webcam    2. Sticker (7 pcs)    3. Webcam Cable    4. Cable Tie (7pcs)

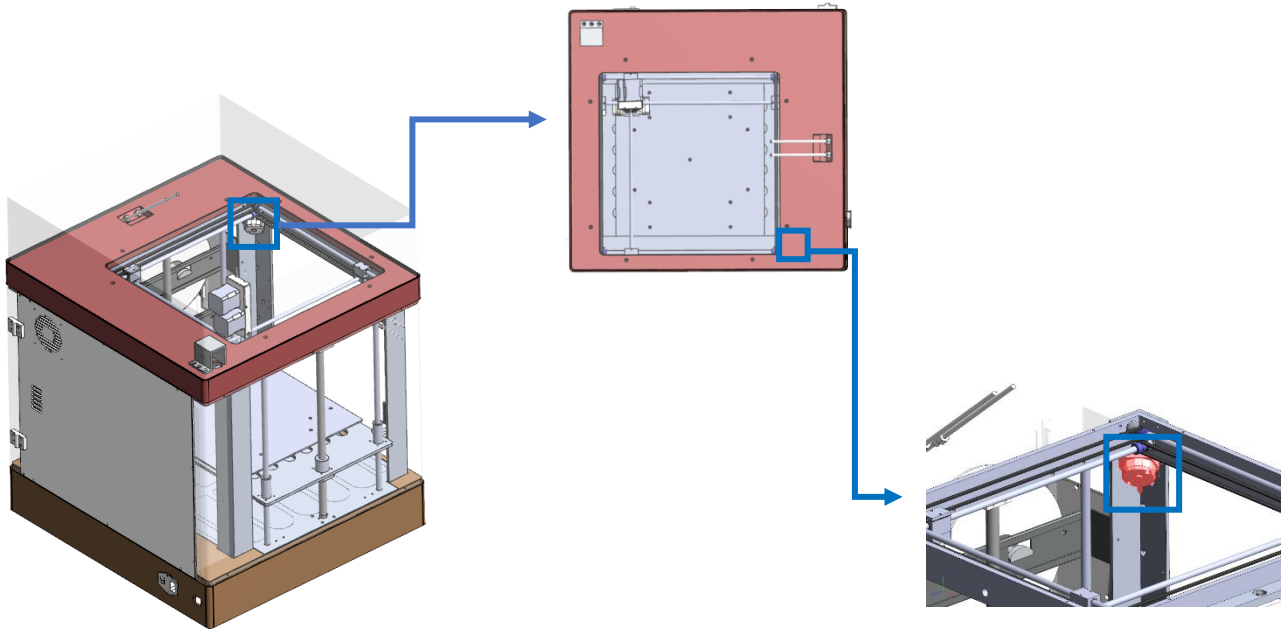
### STEP 1: Attach Zip Ties

Pass cable through the 4 zip ties attached with a sticker. These are used for securing the cable under the top cover.



### STEP 2: Fix the Webcam

Remove the plastic film from the double side tape on the back side of the webcam. Attach the webcam at the position marked in picture. (Make sure that the webcam is pointed at the print plate.)

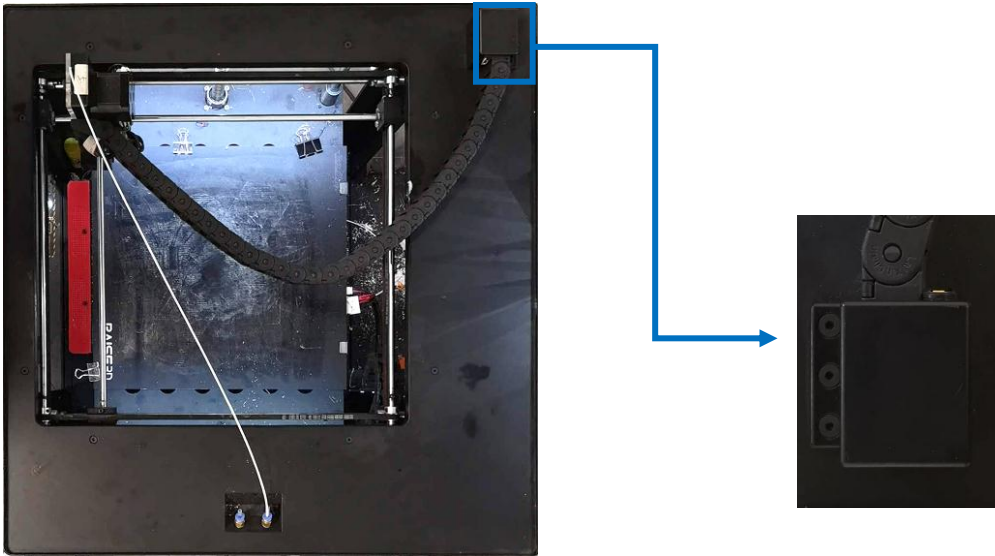


### STEP 3: Remove Back Cover and Cable Chain

Remove the back panel of the printer with a phillips head screwdriver. The attached side door will also be removed with this panel. Set the panel and screws aside.

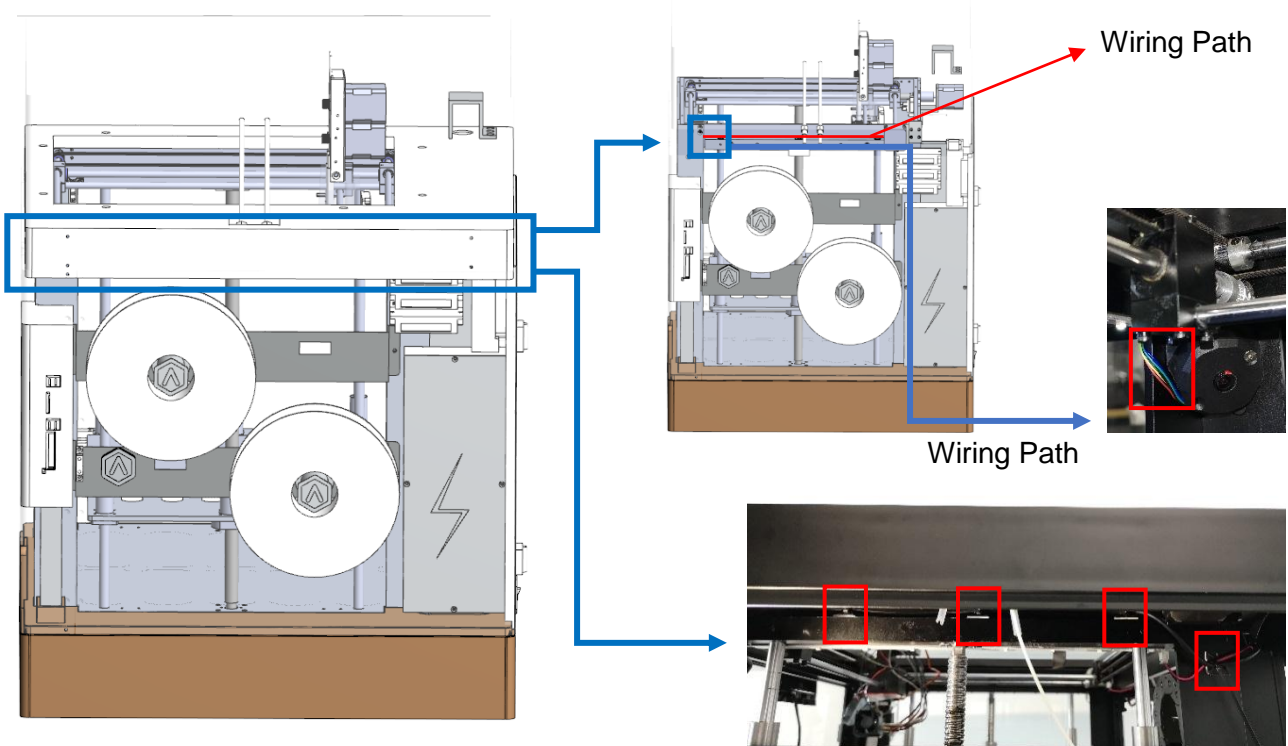


Remove the 3 fixing screws from the cable chain mounting. These can be found at the end of cable chain on top cover.

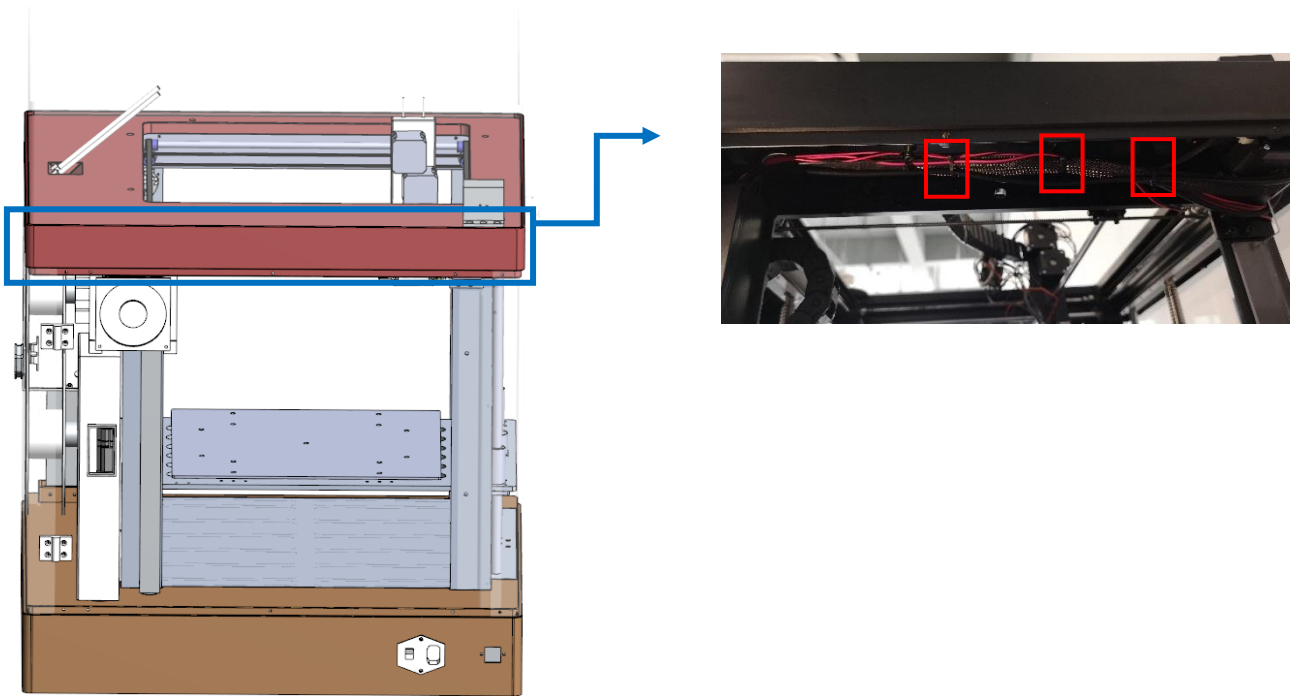


#### STEP 4: Wiring

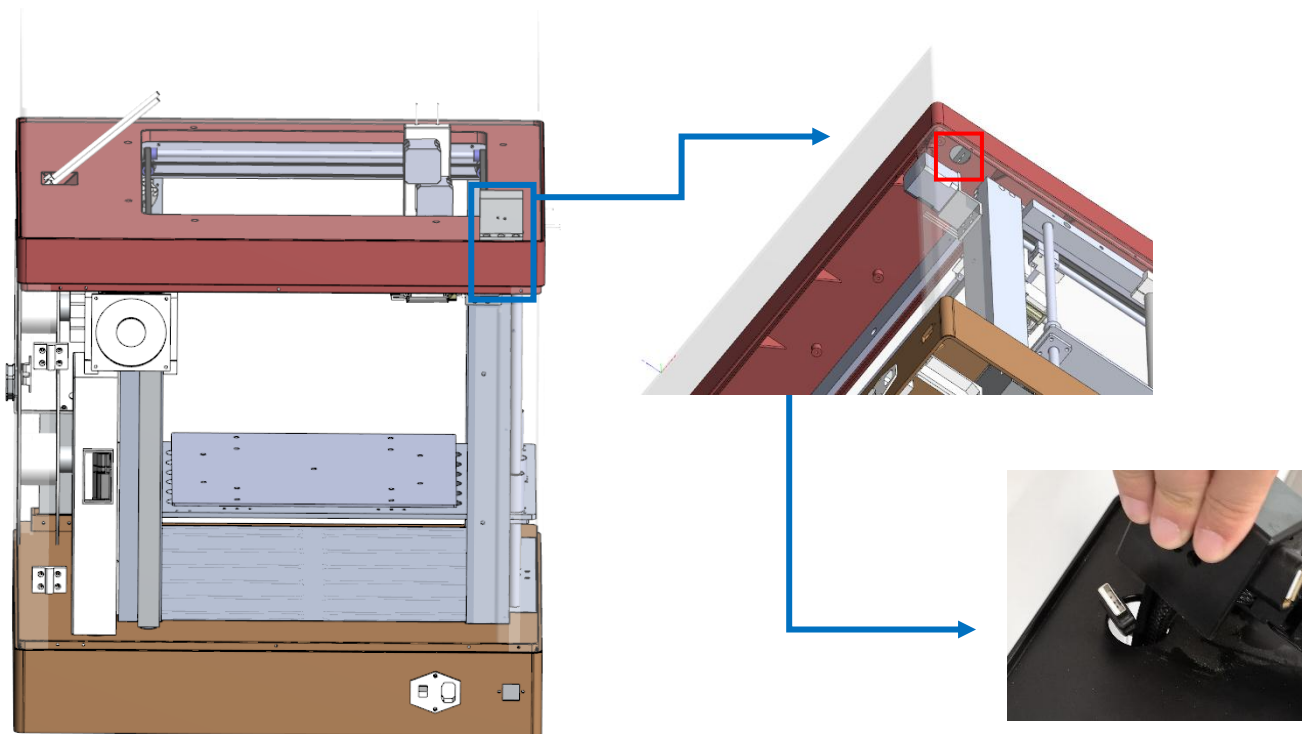
Pass the webcam cable underneath the top cover and remove the tape backing to fix the plastic sticker with zip ties attached.



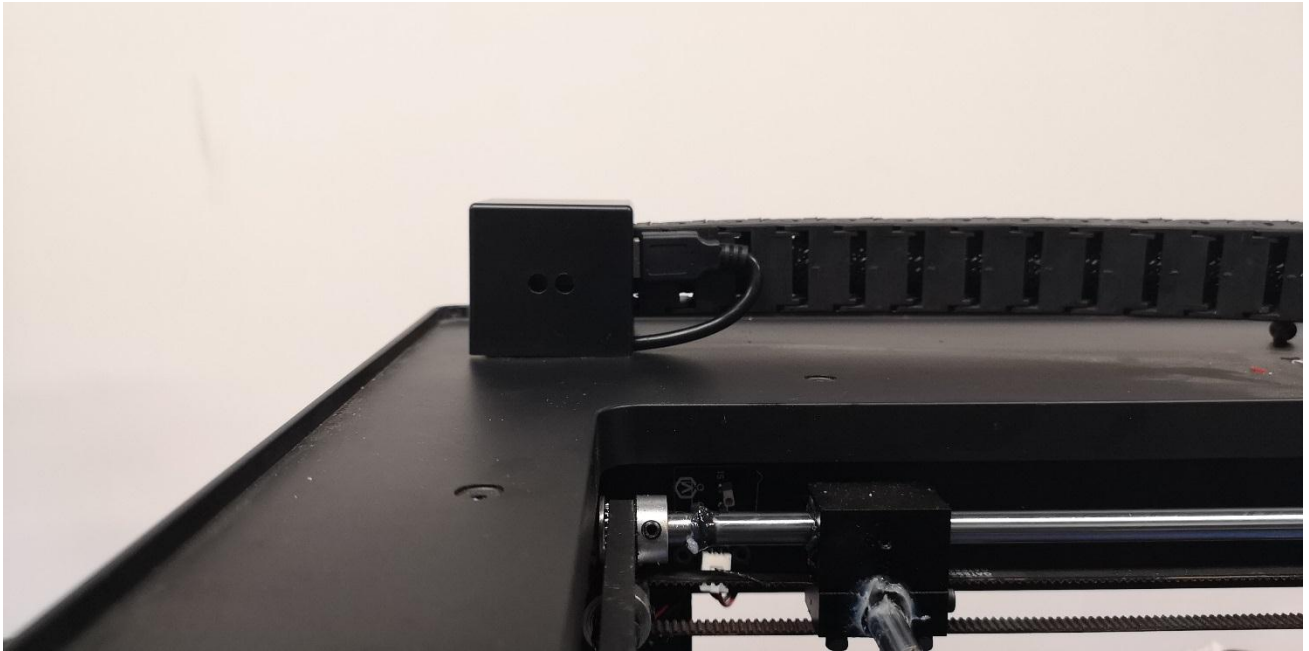
Run the webcam cable with the remaining cables underneath the top cover.



Drag the end of the cable out from the hole under cable chain with tweezers.



Connect the cable to the USB plug at the end of the cable chain and reattach the cable chain mounting at the rear side on the top of the printer.

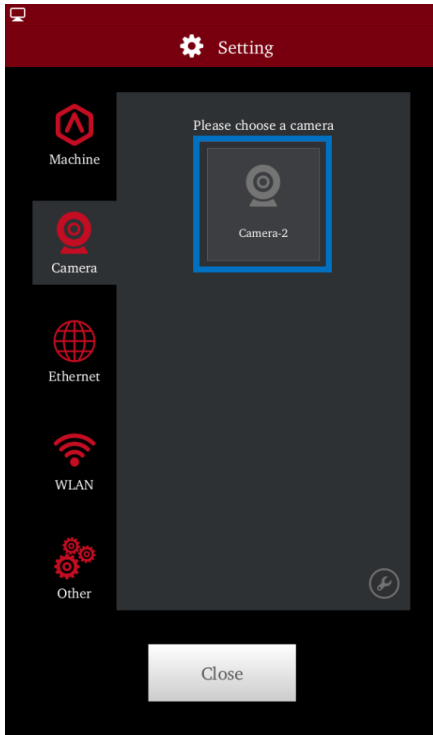


## Setting on RaiseTouch

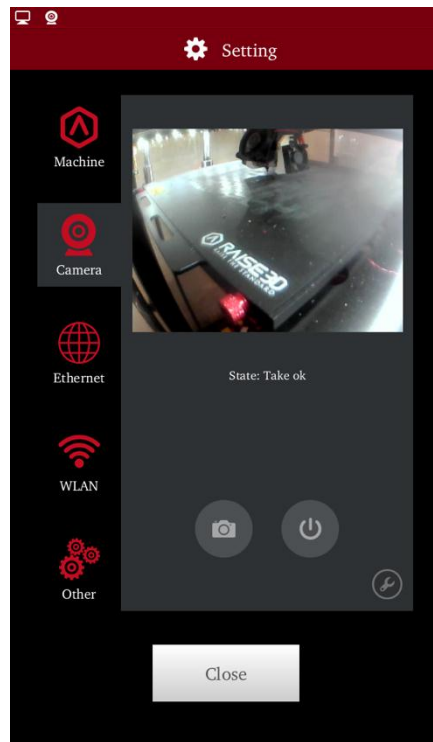
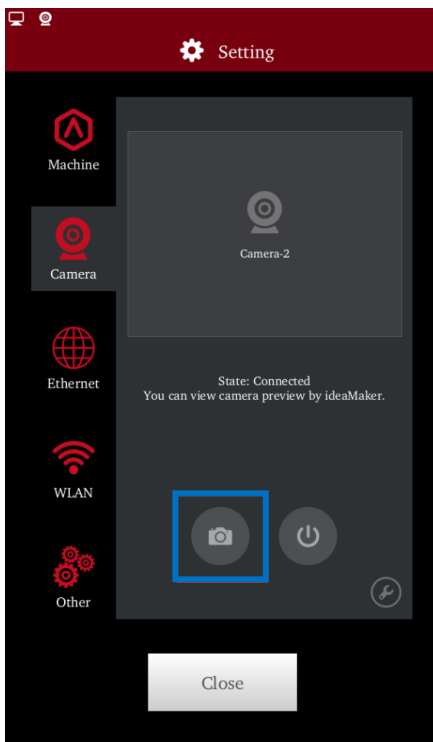
Update the RaiseTouch to the latest version from the download center on the website:

<https://www.raise3d.com/pages/download>.

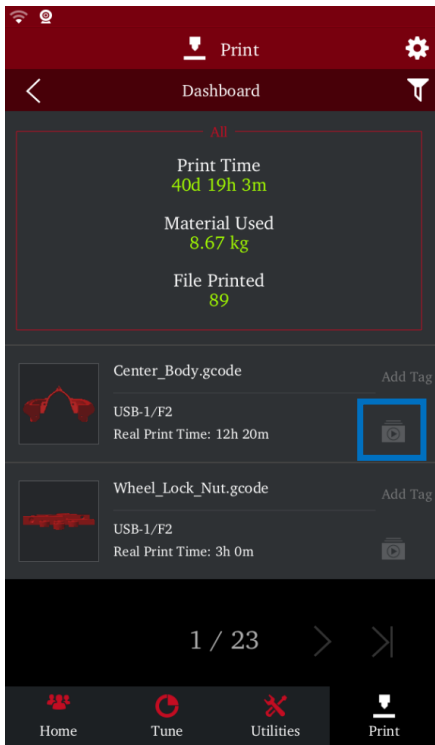
The latest version of RaiseTouch will display a new tab with a webcam icon.



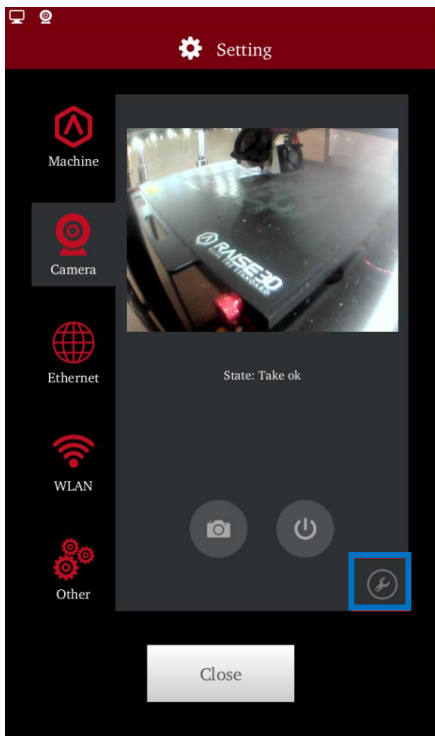
Press the Webcam icon to check whether the webcam is connected.



Once the webcam is enabled, besides being able to monitor prints in real time from ideaMaker, it will also be possible to record Time-lapse videos. You can check Time-lapses from the Dashboard.



Time-lapse settings can be edited by pressing the Tool button inside **Webcam** page.



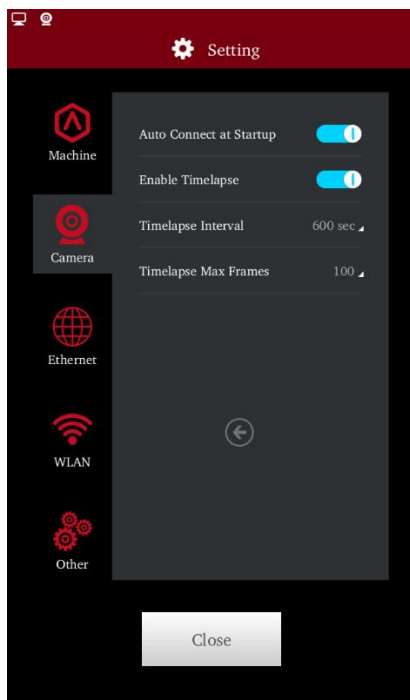


Enable '**Auto Connect at Startup**' to enable webcam automatically after power on.

Enable '**Time-lapse**' to record a Time-lapse for each print.

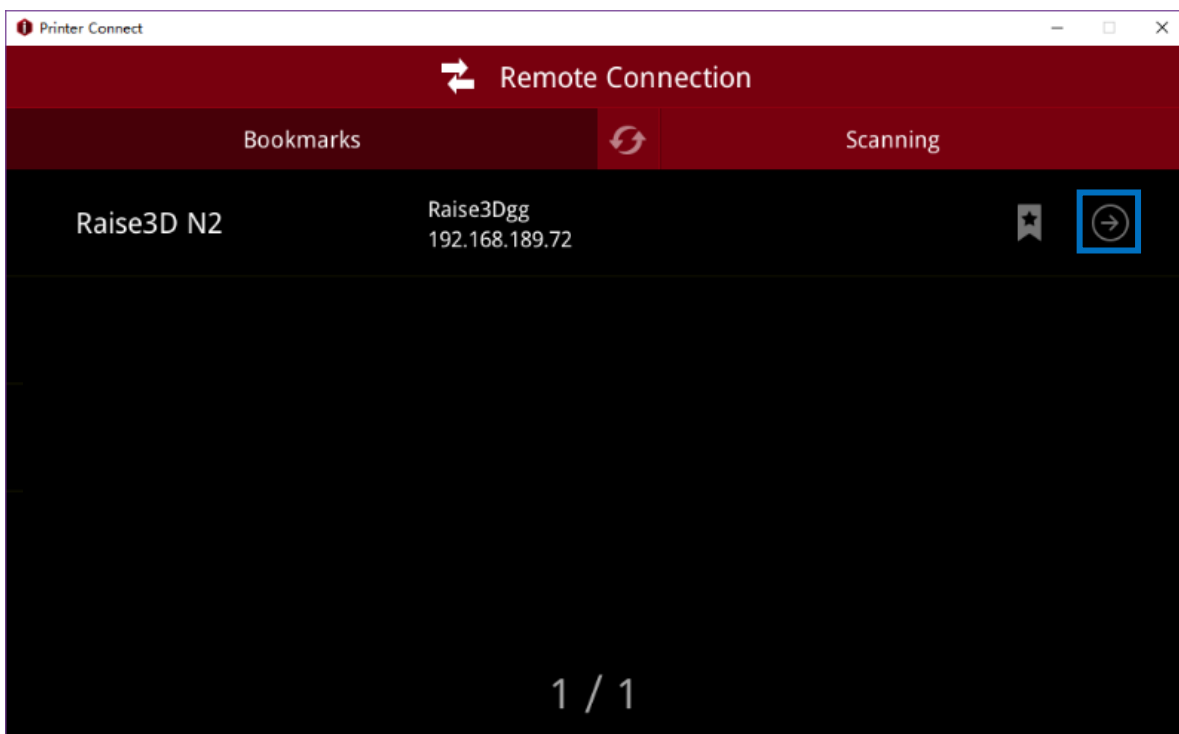
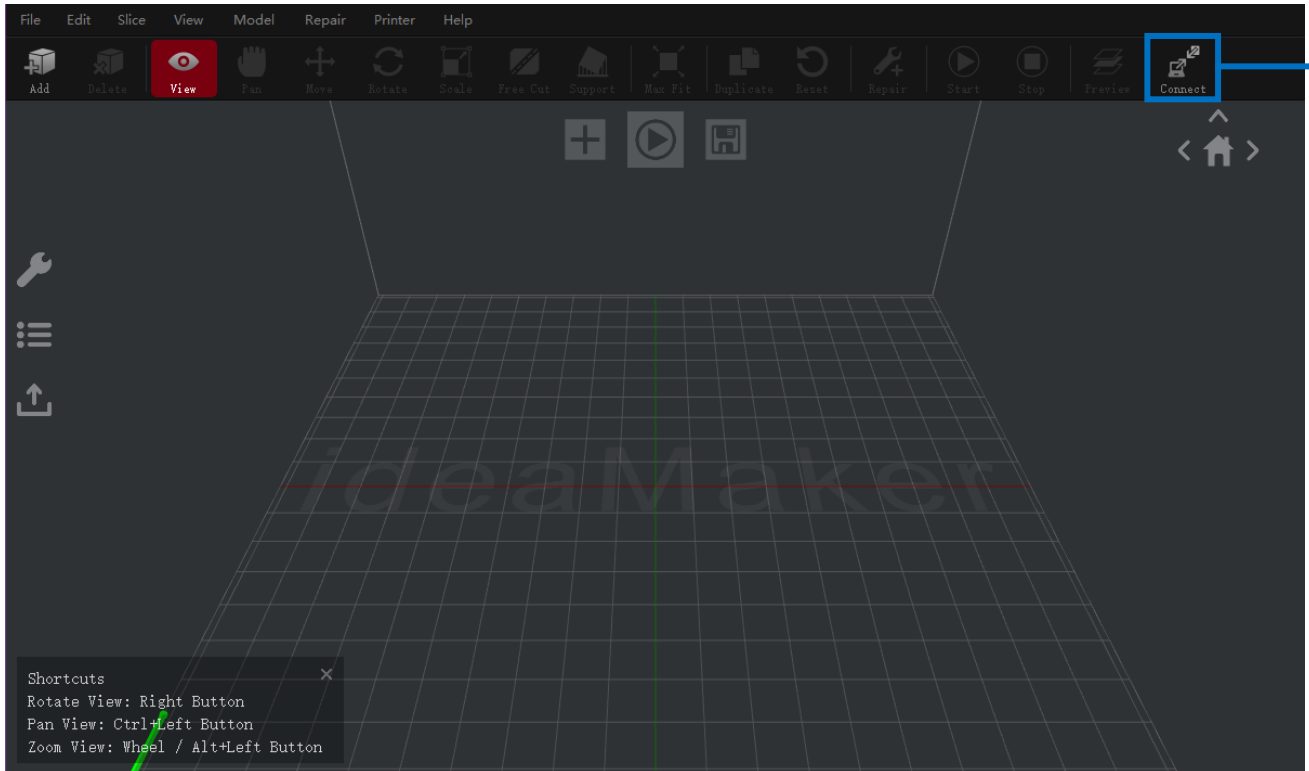
'**Time-lapse Interval**' refers to the time between each shot during printing.

'**Time-lapse Max Frames**' refers to the maximum quantity of images saved for one print. When the maximum value is exceeded, the oldest image will be automatically deleted.

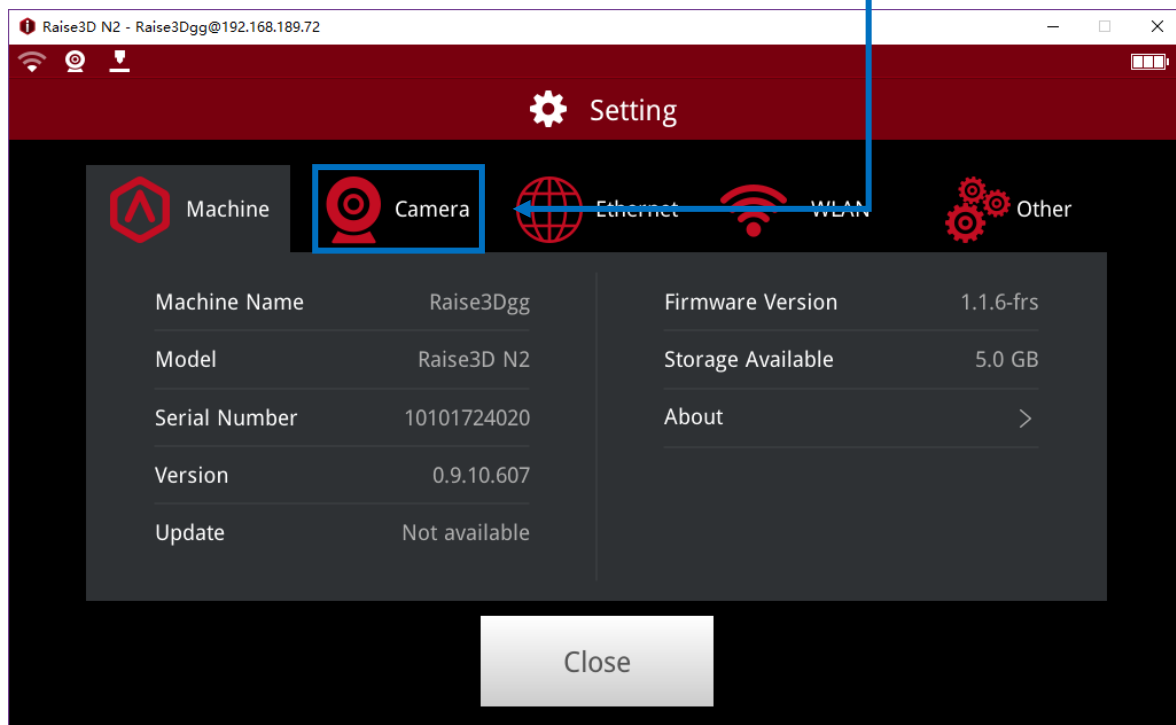
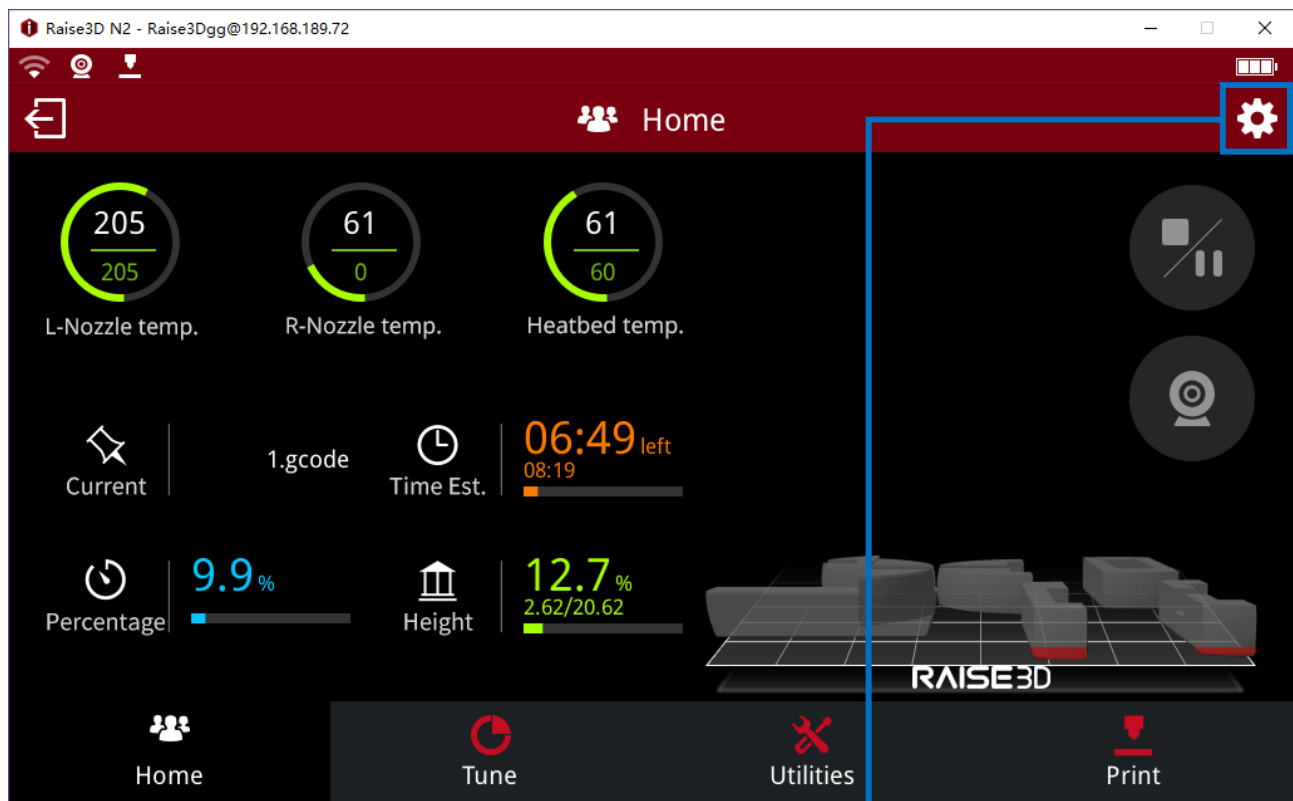


## Settings in ideaMaker

Click the **Connect** button in ideaMaker to connect ideaMaker with your printer (ensure that your printer is connected to the same network).



Click the setting button and choose Webcam.



Click Webcam icon to check the current print status.

