

prism

Prism General Purpose Clip & Loop Sling



User Manual

prismmedicaluk
a prismhealthcare company

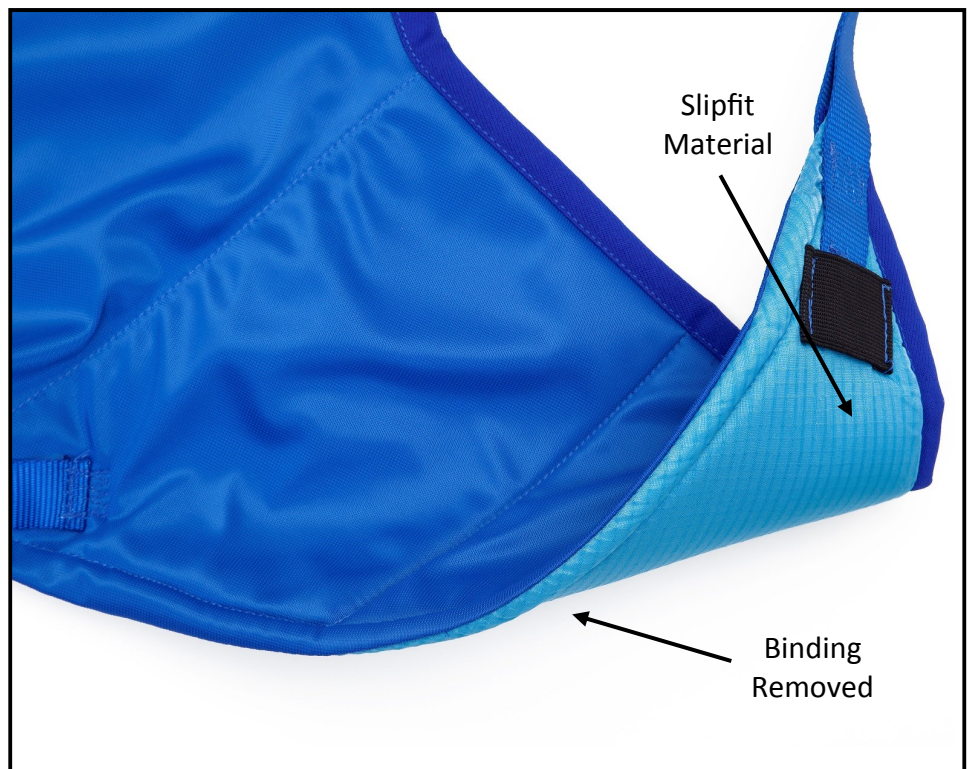
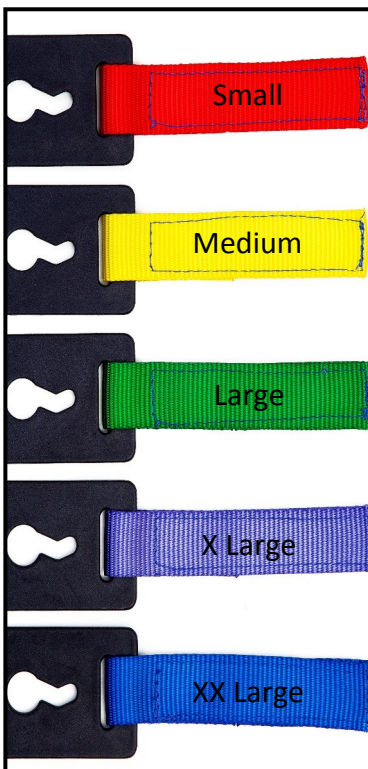
Size Guidance with reference to existing Arjo® Slings

Prism Sizing	Arjo® Sizing	Colour Ref	Prism Clip & Loop - Polyslip Code	Prism Clip & Loop - Black Spacer Code
Small	Small	Red	8W1540	8W4540
Medium	Medium	Yellow	8W1440	8W4440
Large	Large	Green	8W1340	8W4340
X Large	Large Large	Purple	8W1240	8W4240
XX Large	X Large	Blue	8W1140	8W4140

The Prism General Purpose Clip and Loop Sling has been designed to be used on stud style carry bars and hook type carry bars and are suitable replacement slings for the Arjo® range of slings but with the benefits of the Prism design.

- Slipfit material to the exterior of the leg sections to aid fitting (Polyslip Only)
- Binding removed from the outer edge of the leg section for increased comfort

The size of the Prism sling is distinguished by the colour of the pull strap on the attachment clips and matches the colour coding used by the Arjo® range.



Prism General Purpose Clip and Loop Sling

Application

The Prism General Purpose Clip and Loop Sling is designed for ease of fitting and general purpose transfer. It can be used to transfer from the seated to recumbent position or from recumbent to seated. The person must be assessed by a competent person who must be fully trained in the suitability, application and fitting of the sling. Carers should always be trained in the use of hoists and slings.

Prior to use of the sling, the following instructions must be read and adhered to as well as the instructions for the hoist to which the sling is to be attached.

The plastic stiffeners supplied with the sling **MUST** be placed in the head support pockets prior to use.

Sling Inspection

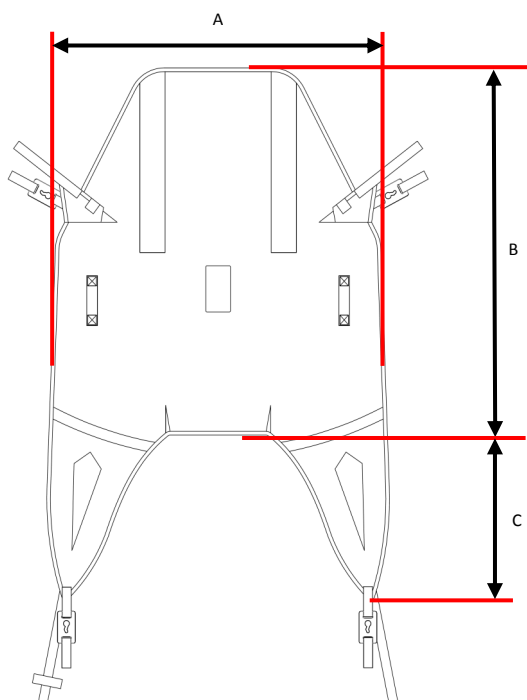
All Prism Slings are manufactured to meet and exceed the requirements of BS EN 10535:2006 'Hoists for the transfer of disabled persons: Requirements and test methods'. Slings should be inspected prior to use and after washing. Damaged or badly worn slings should be discarded. The label on the sling contains vital information to identify the sling - if any part of the label becomes illegible, then it must be removed from service and replaced.

The sling should be visually inspected with regard to the following items:

- Any signs of damage (i.e. cuts, frays, tears, burns) to the sling straps
- Any sign of damage to the plastic attachment clips.
- Any signs of stitching becoming undone on any part of the sling
- Any signs of the fabric being stretched, tearing or undue wear
- Any signs of discolouring or bleaching on the material
- Is the sling complete? i.e. all straps present, stiffeners in place - where applicable, etc
- Label clearly legible

Maximum Load (Safe Working Load - SWL)

The maximum load for the sling is clearly marked on the label of the sling. The maximum load will also be displayed on the hoist and any detachable elements of the hoisting system.
DO NOT exceed the maximum load stated on any of the equipment.



Sling Dimensions

	A	B	C
Small	850	820	420
Medium	950	880	440
Large	1000	940	460
X Large	1050	1000	480
XXL	1100	1050	500

How to attach the loops to the hook carry bar

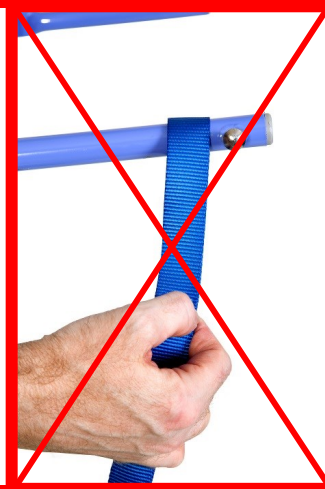


Repeat the four steps above for each of the attachment loops.

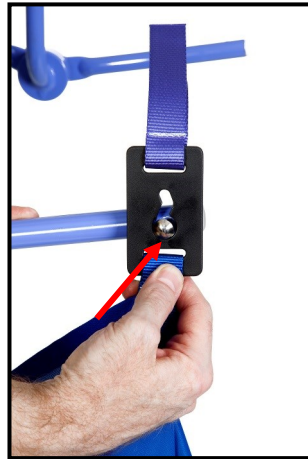
Ensure that all loops are secure on the hooks before commencing the lift.

Reverse the procedure to remove the loops.

DO NOT USE LOOPS on carry bars with stud attachments

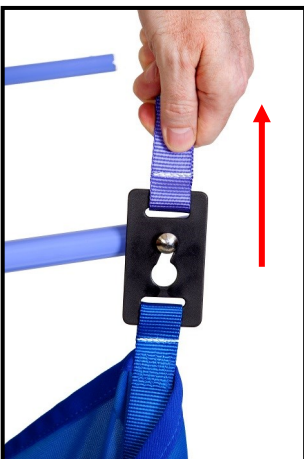


How to attach the clips to the stud carry bar



Repeat the four steps above for each of the attachment clips.
Ensure that all clips are secure in the most downward position before commencing the lift.

How to remove the clips from the carry bar



DO NOT USE CLIPS on carry bars with Hook attachments



Prism General Purpose Clip and Loop Sling - Material Variants / Uses

Polyslip:

The Prism General Purpose Clip & Loop Sling is made from a close knit polyester material and has nylon 'rip stop' material to the outer side of the leg sections to aid the fitting and removal of the sling. The sling and can be used for sitting and recumbent transfers between chairs, beds, floor, baths, changing beds, WC's, etc.

Spacer:

The Prism General Purpose Clip & Loop Sling is made from knitted polyester "spacer" fabric that is manufactured with an 'air gap' internally. The material stretches slightly in all directions and moulds perfectly to the shape of the person being hoisted. This sling can be used like the Polyslip, but has the added benefit of being suitable to be left in position if required (subject to risk assessment and monitoring of pressure risks).

DECLARATION OF CONFORMITY

Manufacturers Name: Prism Medical UK Ltd
MHRA Registration No: CA 013248
Manufacturers Address: Unit 4 Jubilee Business Park, Jubilee Way,
Grange Moor, Wakefield,
WF4 4TD, Uk
Tel +44 (0) 844 980 2260

Declares that the manufactured product:-

Product Name: Prism General purpose Clip & Loop sling

Product Options: Small, Medium, Large, X Large & XX Large.

Conforms to the following European Union Council Directives:-

Directive 93/42/EEC and all amendments up to Directive 2007/47/EC

Classification Class 1, Low Risk Medical Device

Tested in accordance with BS EN ISO 10535:2006 & IEC 60601 3rd Edition

Supplementary Information:

The undersigned declares the product herewith complies with the requirements set out above and carries the CE mark accordingly.

The Technical Construction File required by this directive is maintained by the manufacturer as detailed above.

Signed: _____

Date: 14th November 2014

Craig Wright, Manufacturing Director

SLING CARE / LAUNDERING

GENERAL.

Remove the plastic stiffeners from the sling prior to washing - Replace before use

Sensitive laundering of lifting slings will extend the service life of the product. Conversely, improper laundering will reduce the service life and possibly affect the strength and integrity of the sling.

To be avoided:

- Use of bleach at washing, particularly hypochlorite [may cause structural damage]
- Overheating the sling [temperatures in excess of 100° may cause extreme shrinkage and structural damage]
- Gas Sterilisation
- Mechanical pressure or rolling during washing or drying of the sling

Use of non-biological detergents is not recommended (especially Fairy Non - Bio): as these types of detergent contain bleaching agents that can degrade the strength of the sling. The use of fabric conditioners is not recommended. Any hook & loop fastenings should be closed prior to laundering to avoid the 'hook' side damaging the sling or other items laundered with it.

GENERAL SOILING.

The sling should be laundered with soap or detergent at 50°C on a standard domestic cycle.

DISINFECTION.

The sling should be laundered to ensure a 'period at temperature' of:

- 10 minutes at 65°C
- 3 minutes at 72°C

Following NHS guidelines, extra time should be added to ensure thorough mixing of hot water through the wash load.

It may be that available equipment does not allow the required level of temperature control. The sling may be washed on a 90°C wash cycle, though it is likely that some moderate shrinkage and/or colour bleed will occur.

DRYING.

Slings will air dry quite quickly in a warm room.

Slings should not be placed over radiators or convectors.

Slings may be **CAREFULLY** tumble dried on a cool [60°C] setting and short cycle. The sling should be checked at intervals not exceeding 5 minutes.

Do not allow the sling to overheat.

STORAGE.

Store away from direct sunlight in clean dry conditions away from chemicals, sharp objects or other potential causes of damage.

The Sling should last in excess of 5 years if the above guidelines are adhered to.
All Prism Slings have a manufacturers guarantee of 12 months.

Care Plan Information

All slings in the Prism Range have space on the labels to record the clients name.

Date of Assessment :		FIM Score:	
Clients Name:			
Approx Weight:		D.O.B:	
Type of Sling:		Size:	
Comments			

If you have any questions regarding the use
of this equipment, please contact
Prism Medical UK, or your local authorised dealer.



Prism Medical UK, Unit4 Jubilee Business Park,
Jubilee Way, Grange Moor, Wakefield, WF 4TD.

Tel +44 (0) 0844 980 2260

www.prismmedical.co.uk

info@prismmedical.co.uk

This document conforms to BS EN ISO 10535:2006 Requirements