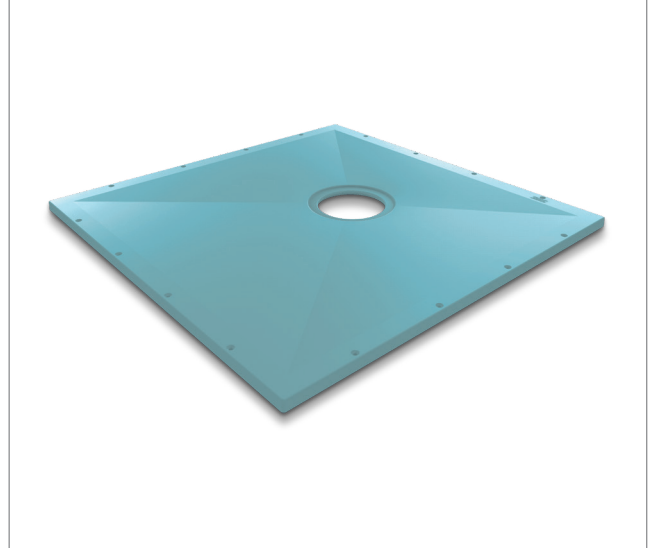


## Product Overview

Tuff Form<sup>®</sup> wet floor former is used to create a wet floor shower area for multi-user bathrooms, while making excellent use of available space.

## Features & Benefits

- + Creates a full level access showering solution for both wooden and solid floors
- + A solid support by the cutting-edge SMC-GRP (Sheet Moulding Compound – Glass Reinforced Plastic) composite technology, enabling easy transportation and installation
- + Easily trimmable within 150mm of the waste
- + Ribbed underside structure eliminates slippage or float during installation
- + Offset waste position to avoid joists or pipework
- + Pre-formed fixing holes, for quick and easily installation
- + Exceptionally strong to accommodate a user with wheelchair and a carer too (up to 60 stone / 381kg bearing weight)
- + Proven popularity with over a million installations worldwide
- + Level access with large size options
- + Screen sets fold back to free up floor space – ideal for wheelchair access
- + A variety of screen sizes and styles give you added choice
- + A wet floor installation with suitable slip-resistant flooring provides excellent water integrity with comfort and safety underfoot
- + Superior strength and rigidity, ideal for fitting under the bath



## Warranty & Approvals



## Specifiers Guide

Height of Tray	Wood Floor	Concrete Floor	Screeded Floor	Corner Fitting	Alcove Fitting	Tray Handling	Gravity Waste	Pumped Waste
22mm	Complete Level Access	✓	Complete Level Access	✓	✓	Non-Handed	✓	✓

\* The lifetime warranty excludes normal wear and tear in general applications and in accordance with AKW installation instructions. It applies only to products being installed for the first time and according to relevant local and national regulations.

## Product Specification

- + Thickness: 22mm to suit the 18mm UK timber floorboard
- + 4mm plywood no extra adjustment needed for installation
- + Weight limit: 60 stone (381 kg) on joists/ unlimited on concrete
- + Fall to waste: 15mm
- + Material composition: Compression moulding, SMC-GRP (Sheet Moulding Compound – Glass Reinforced Plastic)
- + Screen Compatibility: Larenco, Level Best, Silverdale<sup>®</sup>, Opulence and Standard Screens

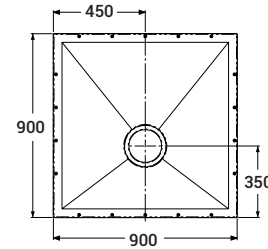


**Tuff Form® Product Codes**

**Tuff Form® Former - 900 x 900mm**

Former only code: **21000**

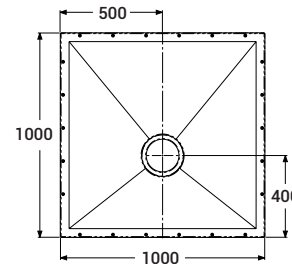
Compatible shower screens:



**Tuff Form® Former - 1000 x 1000mm**

Former only code: **21008**

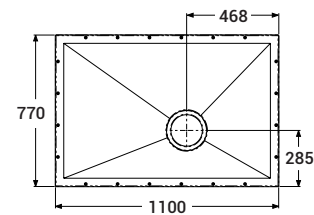
Compatible shower screens:



**Tuff Form® Former - 1135 x 770mm**

Former only code: **21012**

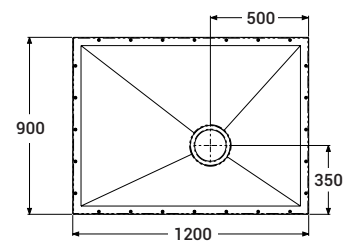
Compatible shower screens:



**Tuff Form® Former - 1200 x 900mm**

Former only code: **21015**

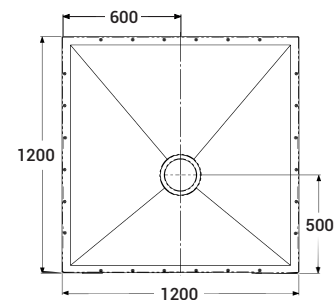
Compatible shower screens:



**Tuff Form® Former - 1200 x 1200mm**

Former only code: **21018**

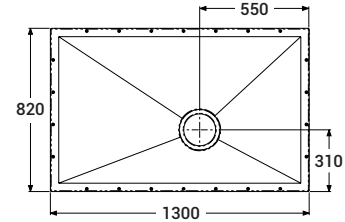
Compatible shower screens:



**Tuff Form® Former - 1300 x 820mm**

Former only code: **21027**

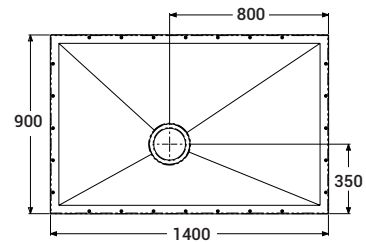
Compatible shower screens:



**Tuff Form® Former - 1400 x 900mm**

Former only code: **21028**

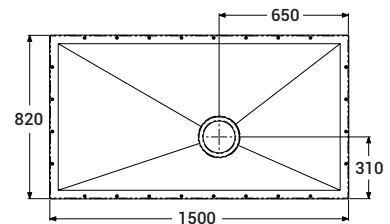
Compatible shower screens:



**Tuff Form® Former - 1500 x 820mm**

Former only code: **21036**

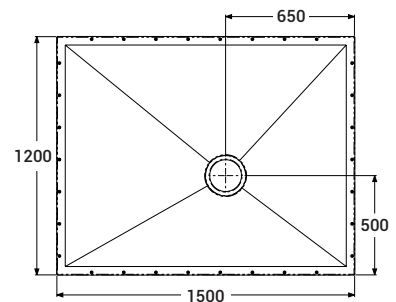
Compatible shower screens:



**Tuff Form® Former - 1500 x 1200mm**

Former only code: **21045**

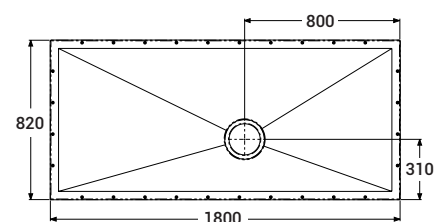
Compatible shower screens:



**Tuff Form® Former - 1800 x 820mm**

Former only code: **21050**

Compatible shower screens:





**TF75 Gravity Waste**

25106



**DW90 Low Depth dry Shower Waste - with Tuff Form® Vinyl Floor Adaptor**

25419-UK



**DW90 Low Depth Dry Shower Waste - with Tuff Form® Tiled Floor Adaptor**

25418-UK



**GW90-2 Low Height Wet Waste with TF Tiled Floor Adaptor**

25498-UK



**GW90-2 Low Height Wet Waste with Vinyl Floor Adaptor**

25499-UK



**SilentFlow+ Waste Pump (PGTF) with 22mm Outlet**

25414



**TFWA Tuff Form® Waste Adaptor with Standard Waste**

25124 (50mm)  
25129 (19mm)



**Low Depth GW90 Gravity Waste (50mm Water Trap)**

25404



**SS-TF75 Stainless Steel Gravity Waste**

LB00101



**Low Depth GW90 Waste Tuff Form® Adaptor (waste not included)**

25409