

WorkLED



- GARAGES
- GAS STATIONS
- TUNNELS
- FACTORY
- WAREHOUSE FLOORS
- OUTSIDE & UNDERGROUND PARKING FACILITIES



WorkLED

SKUs	Watts	Lm/W	Lumens	Kelvin	CRI	# of LED	Viewing °	Voltage	Hertz
LW-WL1-C-60W-5000K	60	130	7,800	5,000	>80	512	235°	100-277VAC	50/60Hz
LW-WL1-C-100W-5000K	100	128	12,800	5,000	>80	704	205°	100-277VAC	50/60Hz

Equivalentents

SKUs	CFL	MHL	HPS	HID
LW-WL1-C-60W-5000K	150W	200W	200W	200W
LW-WL1-C-100W-5000K	200W	300W	300W	300W

Product name	LED Luminaires				
Dimension	A	C	D	E	F
Stent type	Hook Mount	Round Pipe Mount	Magnet Mount	1/4 NPT Stem Mount	5/8 NPT Stem Mount
Product size	∅ 170 x 329 mm	∅ 170 x 286 mm	∅ 170 x 280 mm	∅ 170 x 284 mm	∅ 170 x 284 mm



Work^{LED}

60W & 100W Hanging Work Light IP65 Rated, Reliable, Weatherproof and Tamper-Resistant Powerful Portable Illumination

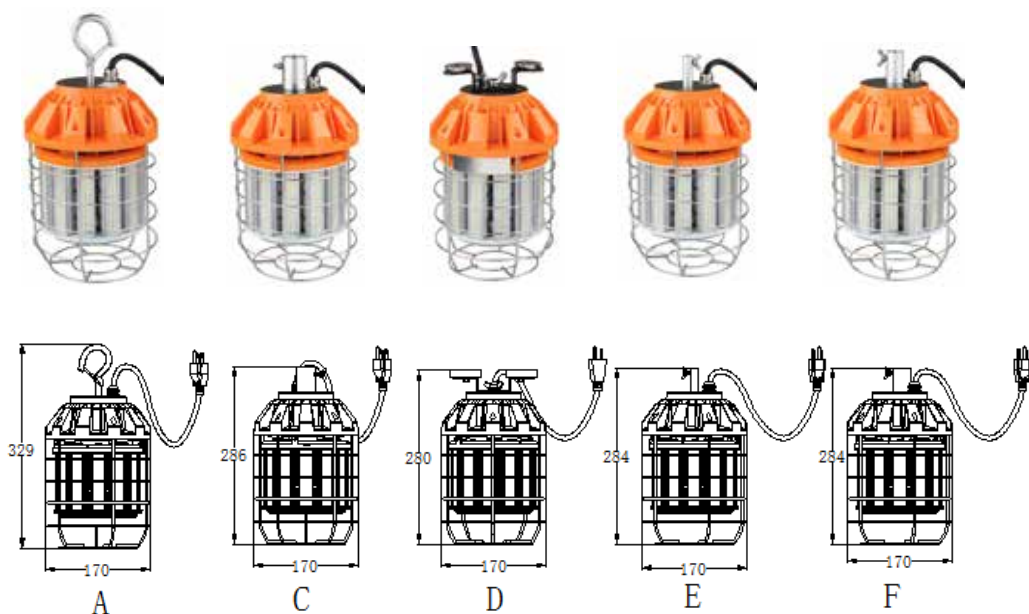
Ensure a well-lit and safe job site with the lightweight yet rugged hanging LED Waves Work Light.

Always on the job, our LED Work Light withstands tough environmental conditions and casts bright 7,800 or 12,800 lumens of dependable illumination. Weather- and theft-resistant construction includes an attached 10-foot cord to allow for easy set up and removal in all outdoor and interior job sites.

Backed by a 5-year warranty; DLC, UL & cUL safety certified.

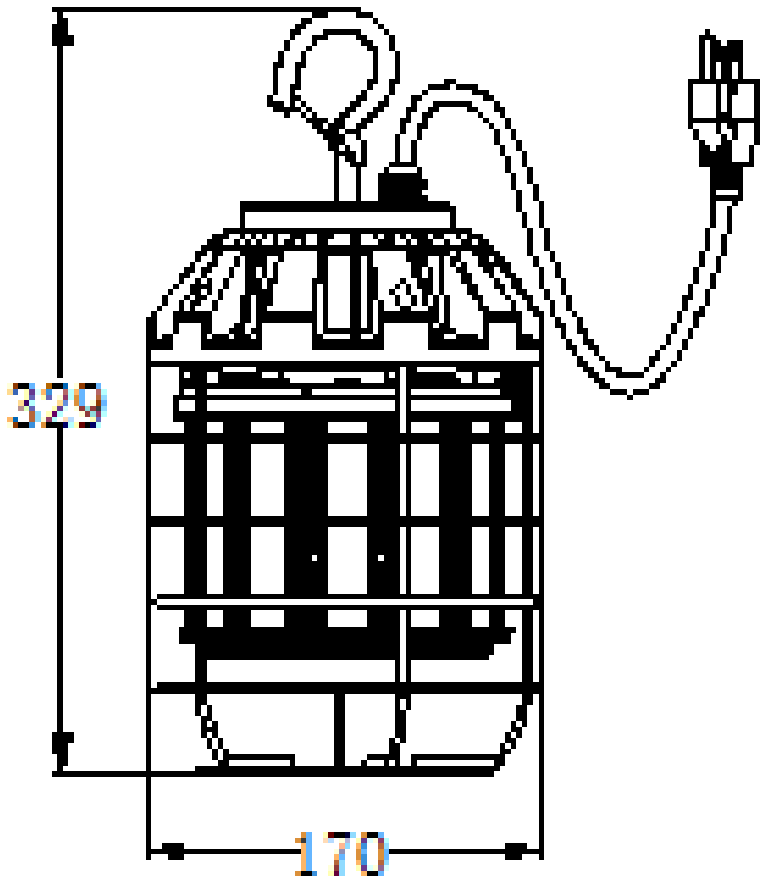
Ideal for use in:

- Outdoor Construction Sites (Operating Temp -20° to 45°C)
- Interior Building Sites, such as Tunnels, Garages & Parking Facilities
- Service Station Work Bays



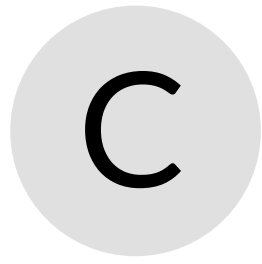
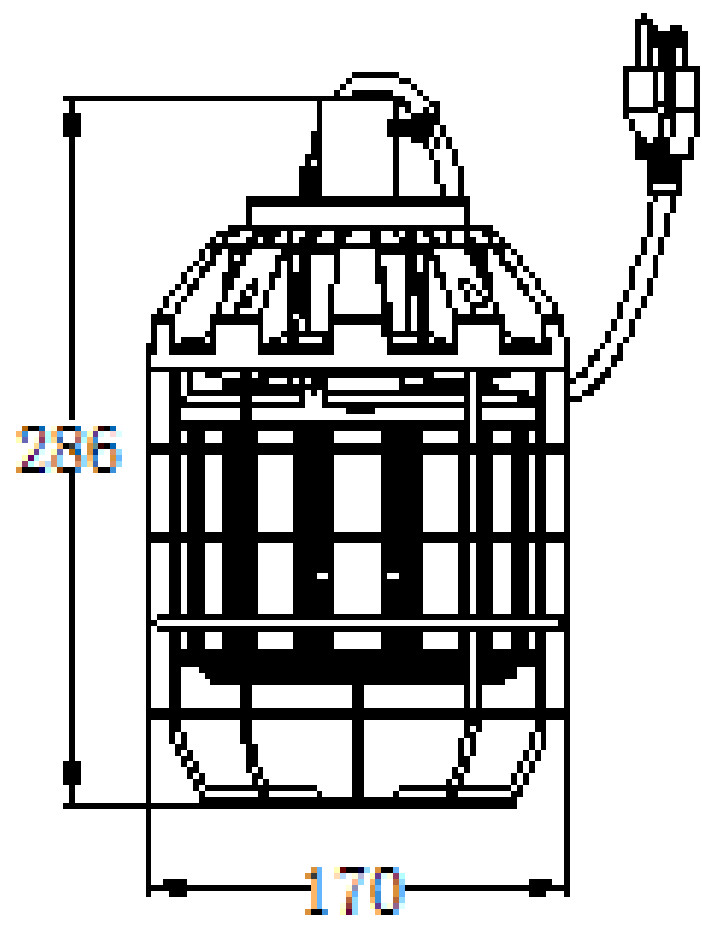
WorkLED

Hook Mount



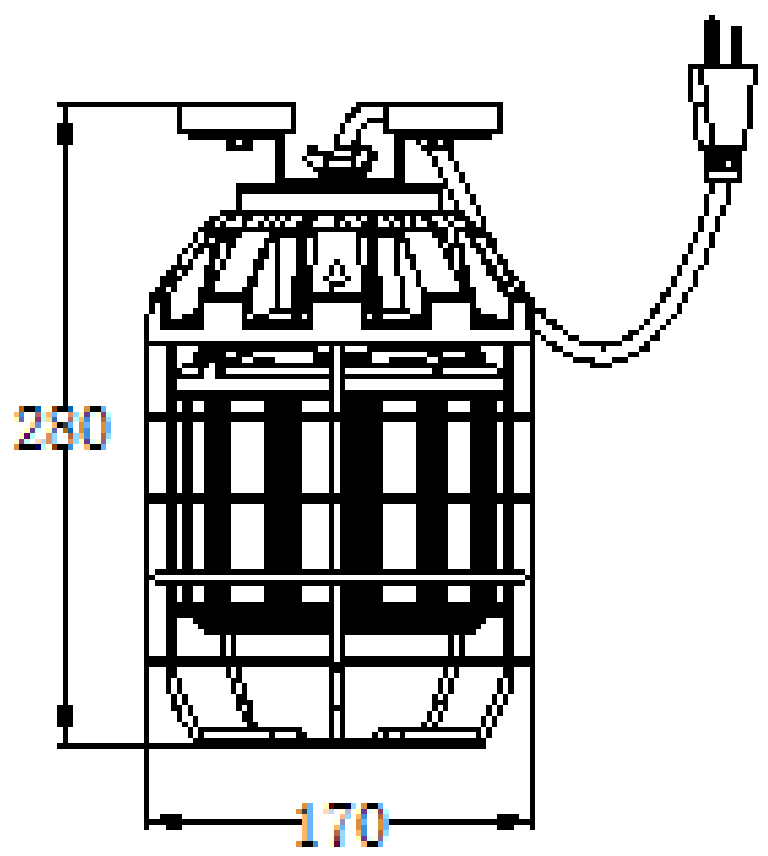
WorkLED

Pipe Mount



WorkLED

Magnet Mount

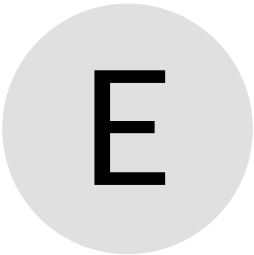
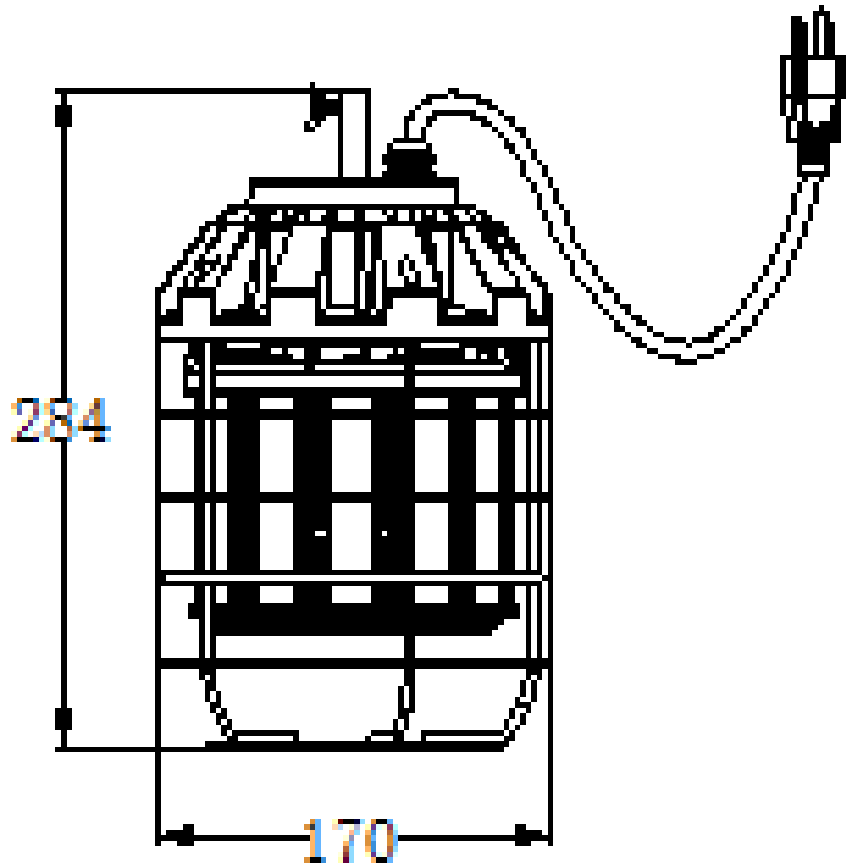


D



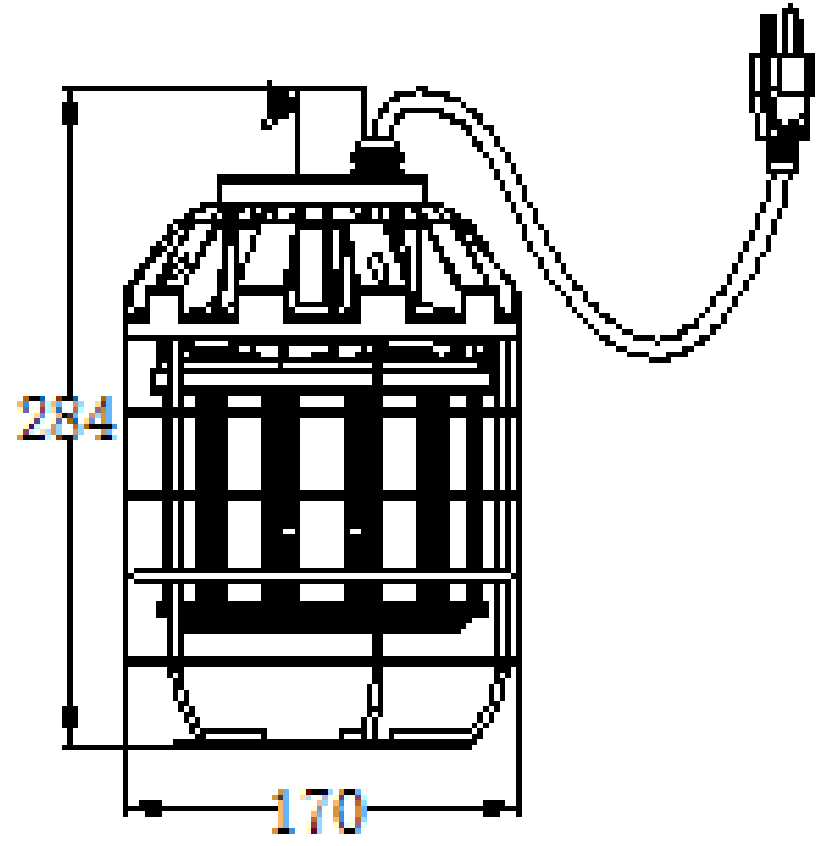
WorkLED

1/4 NPT Stem Mount

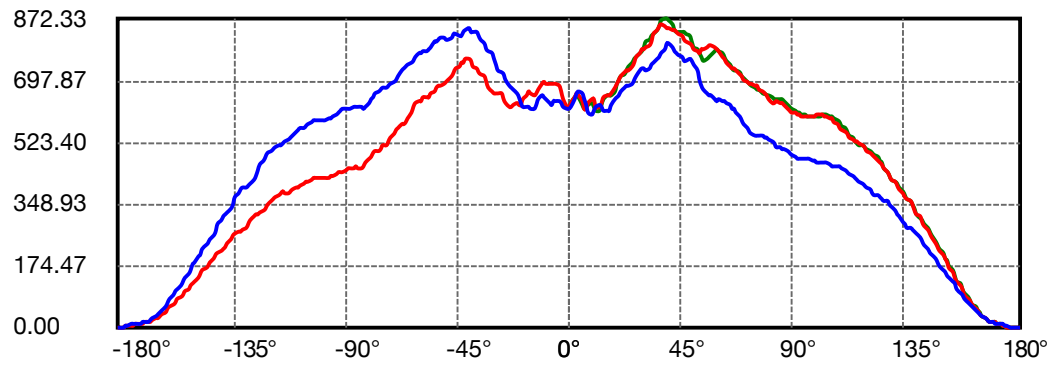
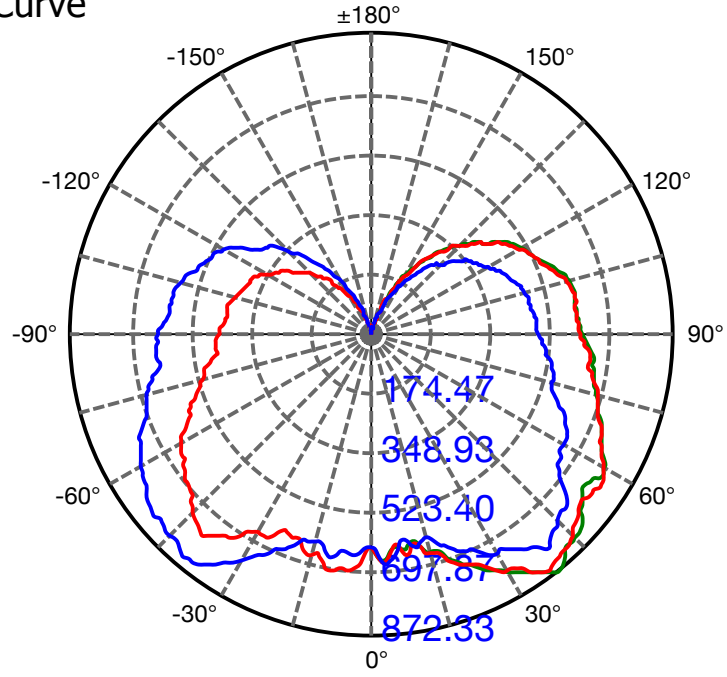


WorkLED

5/8 NPT Stem Mount



Light Distribution Curve



C22.5(Max): ———
 C0/C180: ———
 C90/C270: ———

Field angle(10%Imax):C0/180Left:192.2 Right:121.7
 :C90/270Left:118.6 Right:197.9
 Beam Angle(50%Imax):C0/180Left:131.1 Right:91.1
 :C90/270Left:85.7 Right:154.6

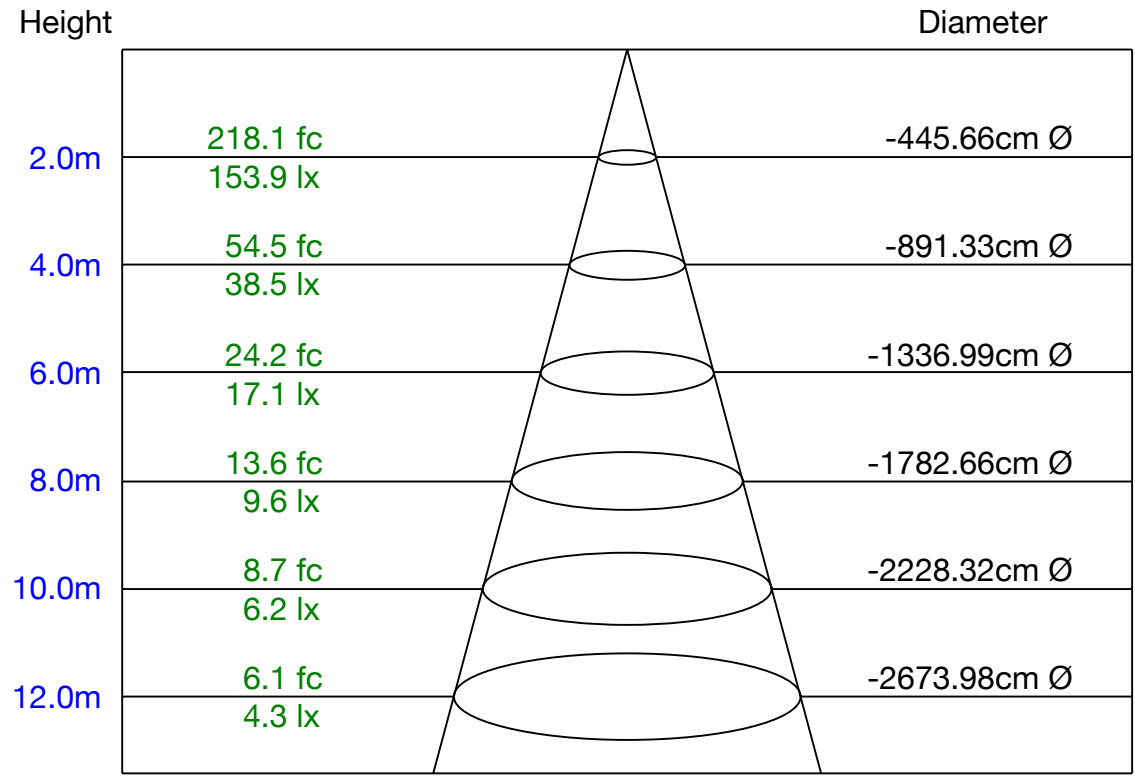
Equipment: Goniophotomete
 Temperature(°C): 0.0

Date: 2017
 Humidity(%): 0.0%

Distance(m): 9.24



Lux Distance Curve



Max , Ave Beam angle of C22.5plane265.66

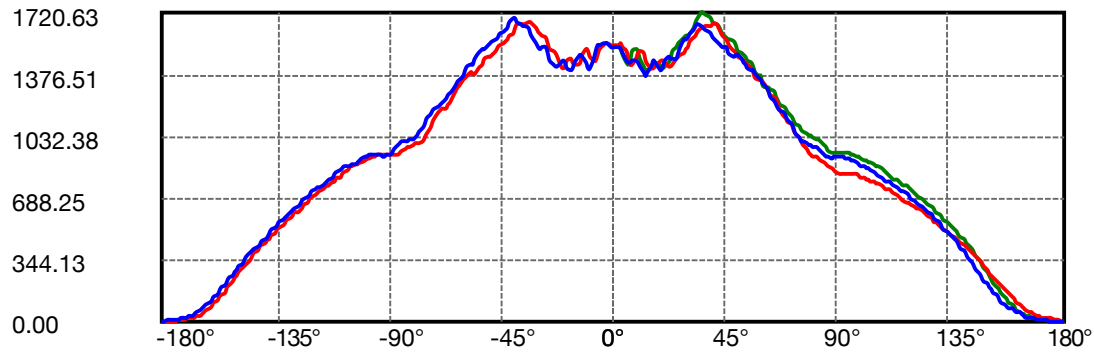
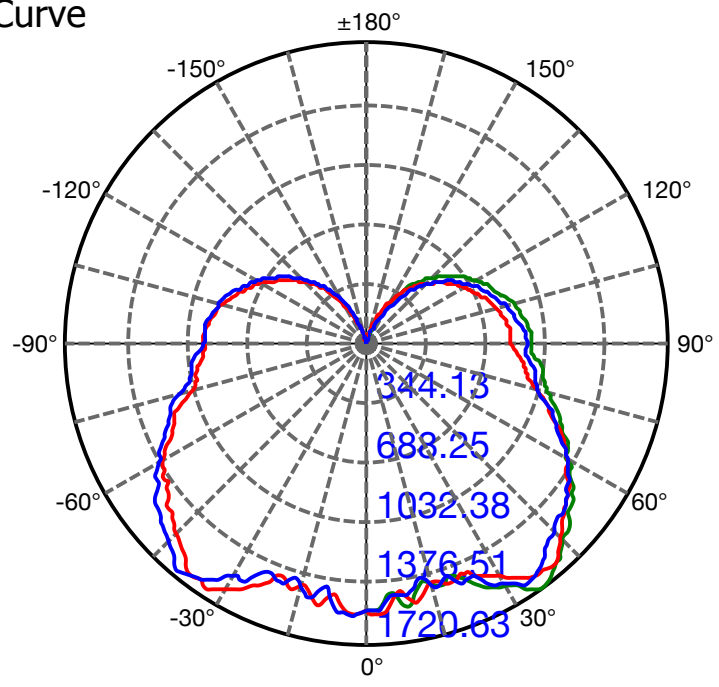
Equipment: Goniophotomete
Temperature(°C): 0.0

Date: 2017
Humidity(%): 0.0%

Distance(m): 9.24



Light Distribution Curve



C45(Max): —
 C0/C180: —
 C90/C270: —

Field angle(10%Imax):C0/180Left:121.9 Right:190.4
 :C90/270Left:117.0 Right:191.5
 Beam Angle(50%Imax):C0/180Left:73.7 Right:121.5
 :C90/270Left:68.8 Right:142.8

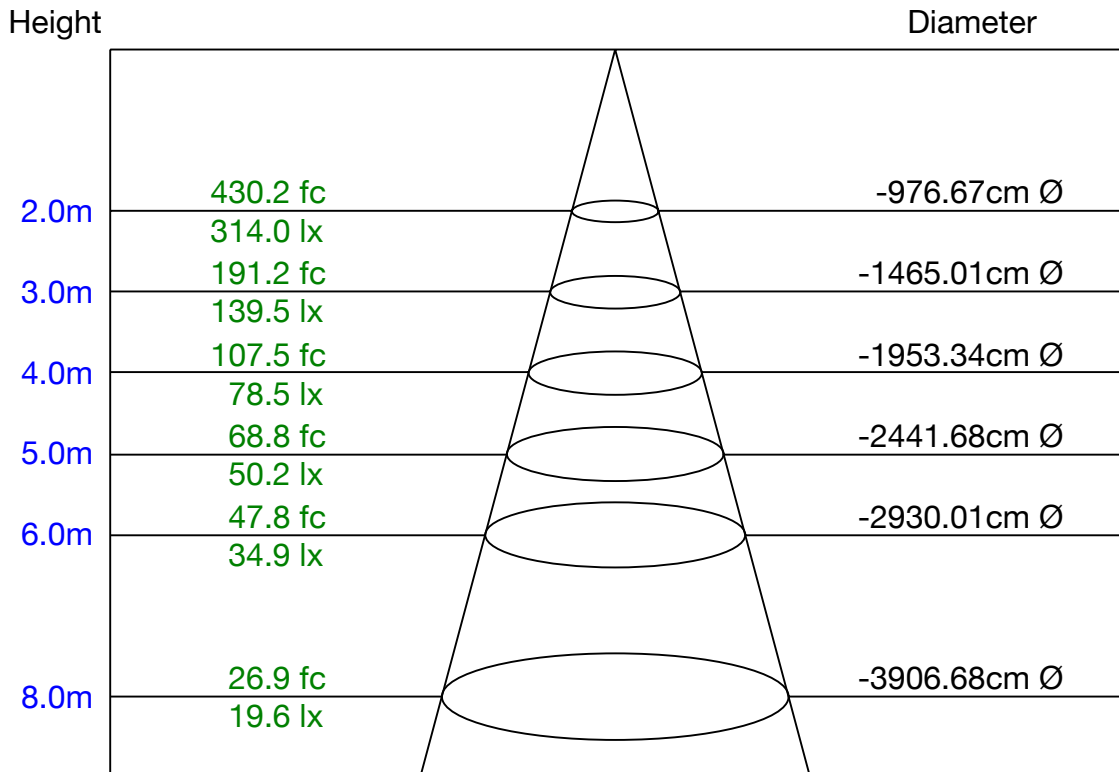
Equipment: Goniophotomete
 Temperature(°C): 0.0

Date: 2017
 Humidity(%): 0.0%

Distance(m): 9.24



Lux Distance Curve



Max , Ave Beam angle of C45plane225.22

Equipment: Goniophotomete
Temperature(°C): 0.0

Date: 2017
Humidity(%): 0.0%

Distance(m): 9.24



Work^{LED}

LedWaves *Waves Of The Future*

Customer safety and satisfaction is paramount at LED Waves.

Please do not hesitate to contact us

TOLL-FREE at
1-800- 986-0169

Professional grade technical support
and Consultations

LED Waves is a Service Disabled Veteran Owned Small Business.

