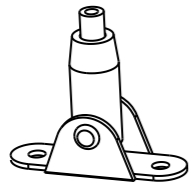
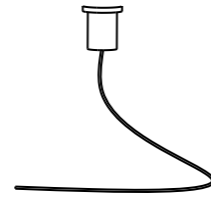


List of components

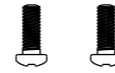
STREAM Line- (Suspension) single unit



2-CMB
(Cable Mounting Bracket)
2PCS



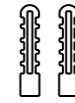
2-CK
(Cable Kit)
2PCS



2-MS
(Machine Screw M3*8 screw)
4PCS



2-ST
(M4*30 screw)
2PCS



2-PA
(Plastic Anchors)
2PCS



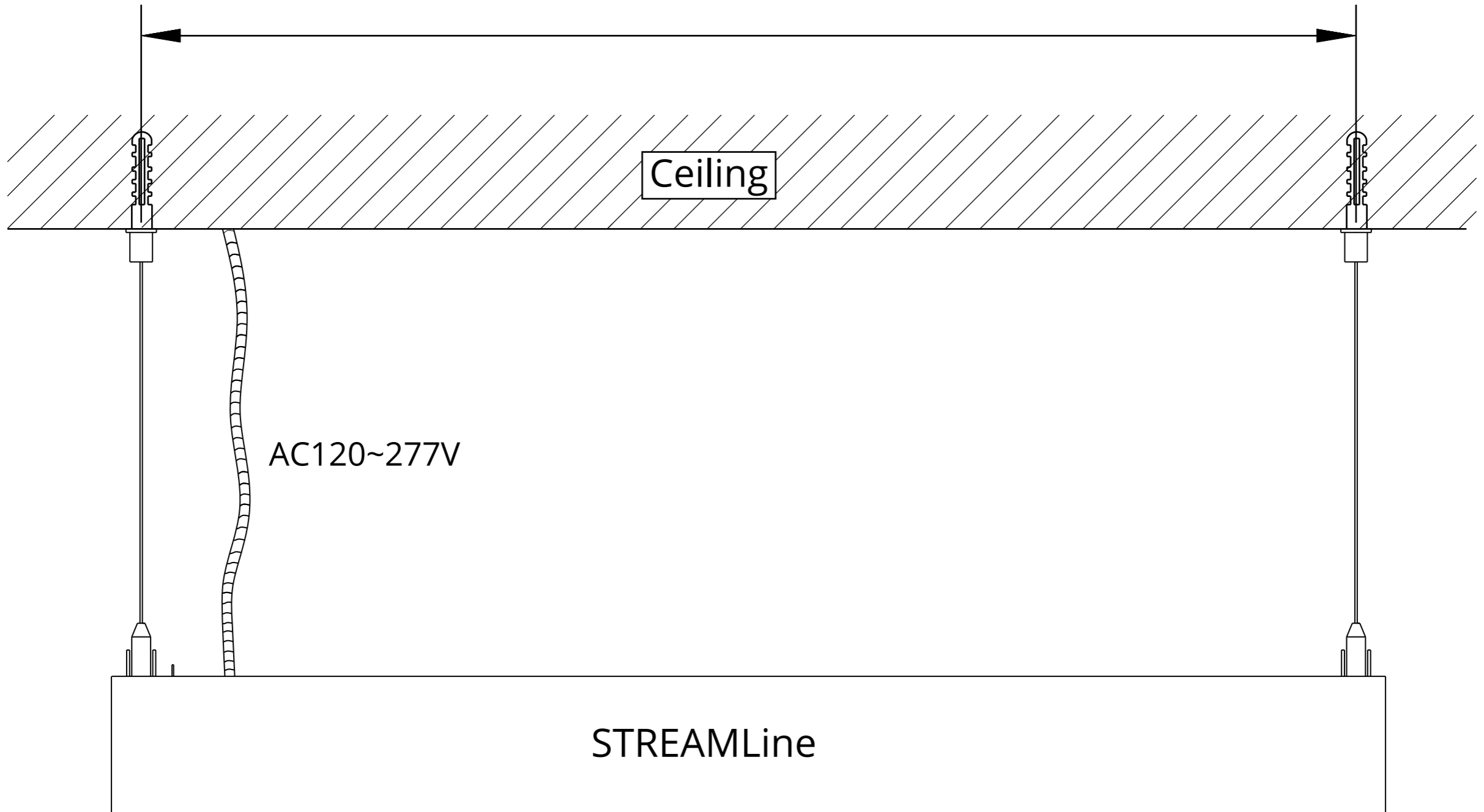
BX connector (by others)

Please read this document thoroughly before you begin

As it includes instructions for both mechanical and electrical installation.

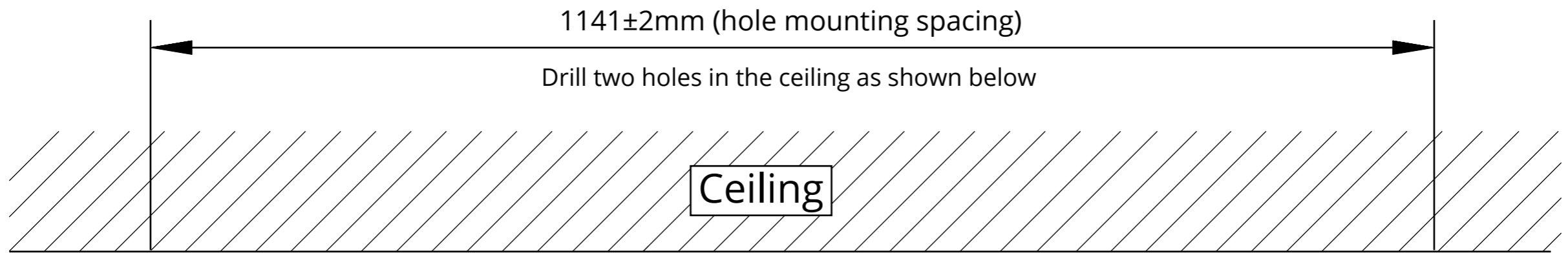
- A thorough understanding of the electrical and mechanical installation will be helpful in making this process easy and error-free.
- The mechanical installation should be mapped out and implemented first, followed by the electrical installation.
- Please save these instructions for future reference.
- If you have any questions, or to request replacements for missing parts, call us at (212)677-6400.

STREAM Line- (Suspension) single unit

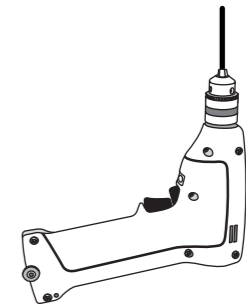


1

STREAM **Line-** (Suspension) **single unit**

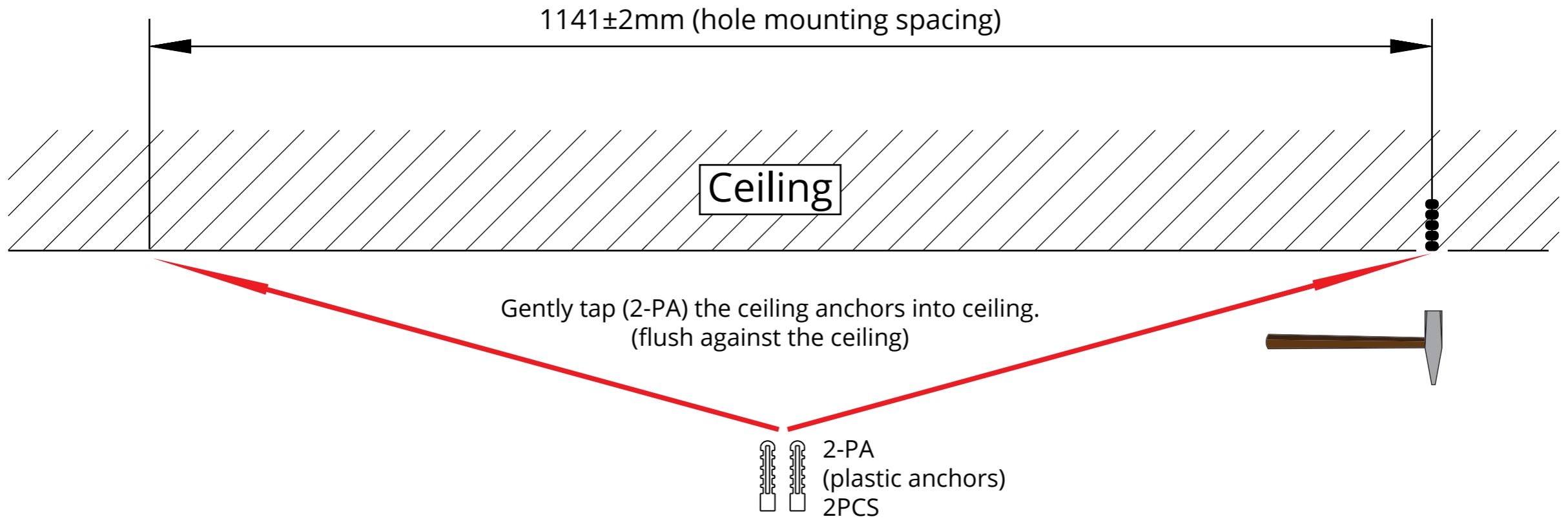


Using a M6-M8 sized tap drill bit, drill two anchor holes into the ceiling approximately 1121mm apart from each other.



2

STREAM Line- (Suspension) single unit

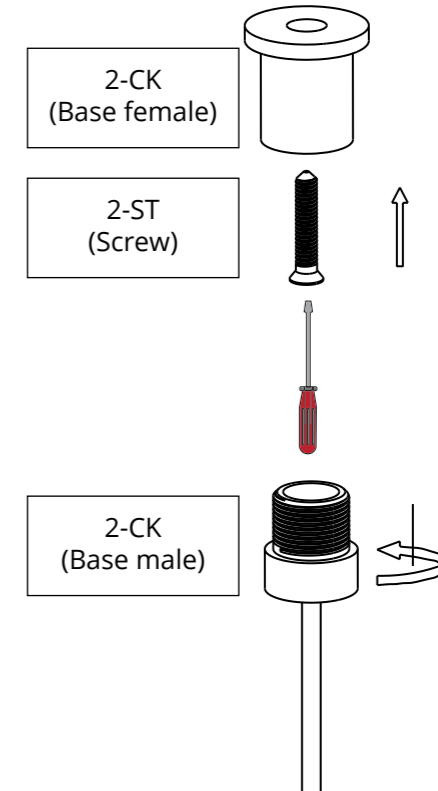


3

STREAM Line- (Suspension) single unit

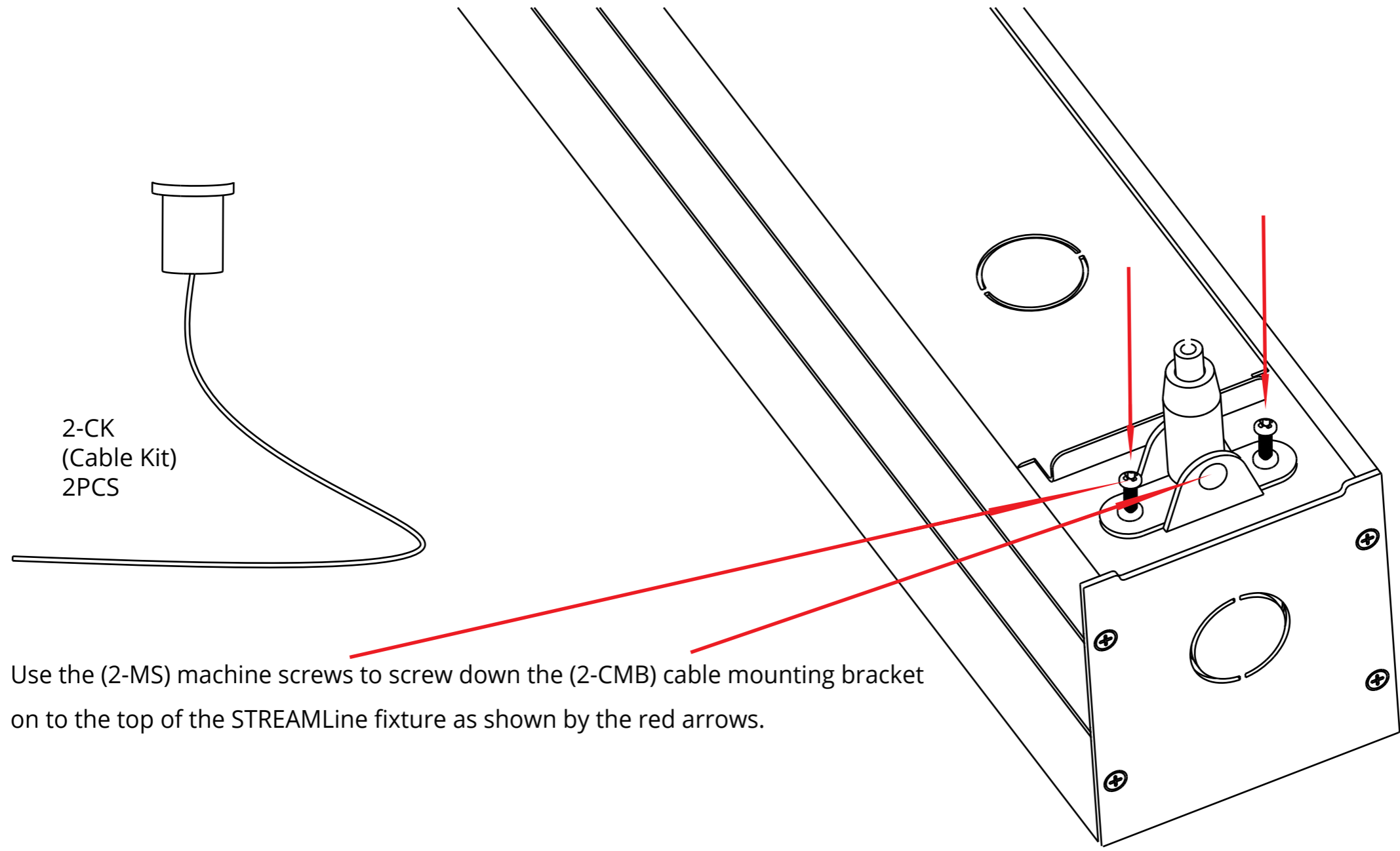


- 1- Gently tap 2-PA (plastic anchors) into ceiling hole.
- 2- Make sure 2-PA (plastic anchors) are secure in the ceiling.
- 3- Place 2-CK (base female) up against ceiling and screw 2-ST (base) into the ceiling.
- 4- Screw 2-CK (base male) into 2-CK (base female) for securely mounting cable kit.



4

STREAM Line- (Suspension) single unit

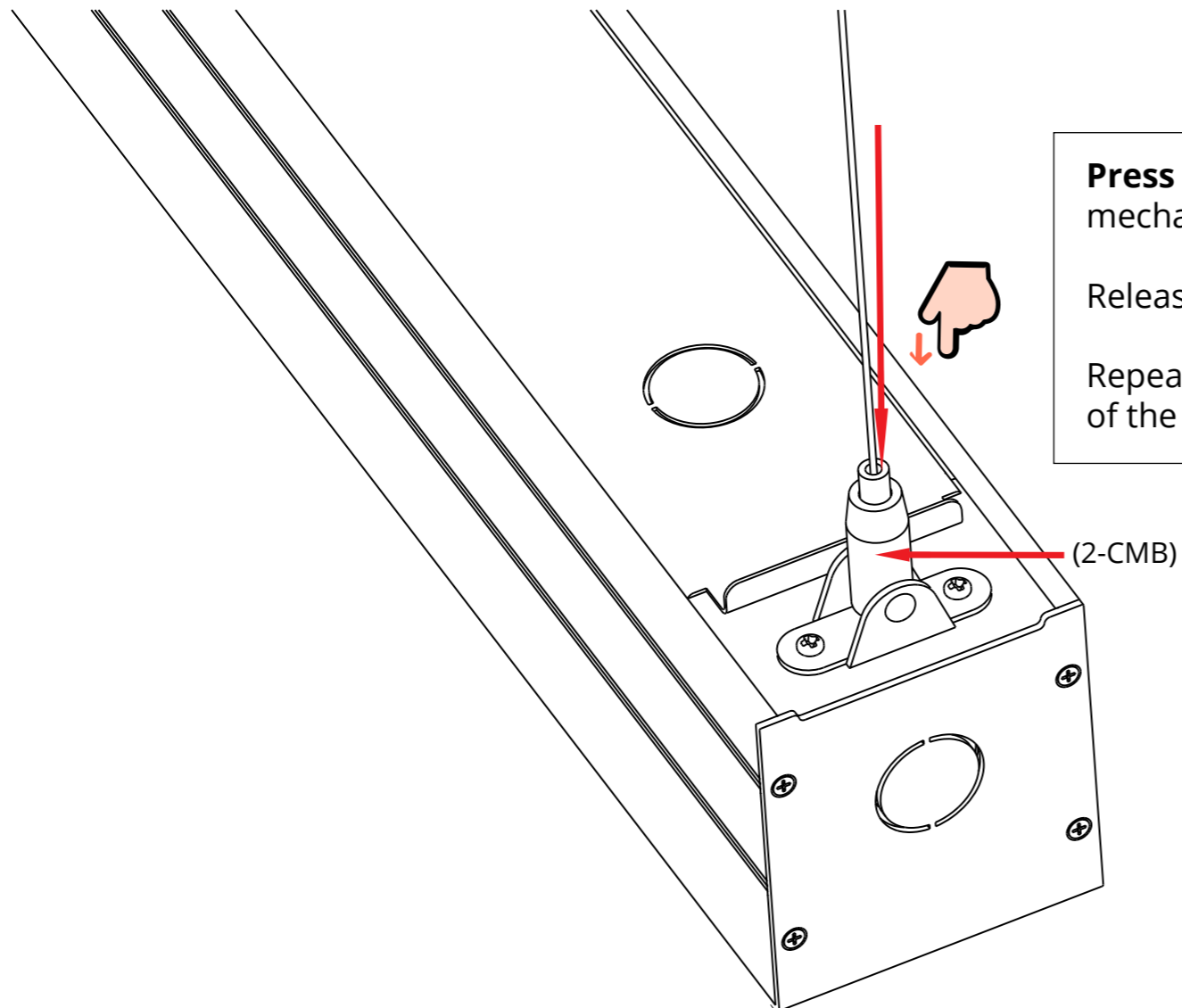


2-CK
(Cable Kit)
2PCS

Use the (2-MS) machine screws to screw down the (2-CMB) cable mounting bracket on to the top of the STREAMLine fixture as shown by the red arrows.

5

STREAM **Line-** (Suspension) **single unit**



Press down on the spring loaded (2-CMB) to open the locking mechanism and feed the open end of the (2-CK) inside

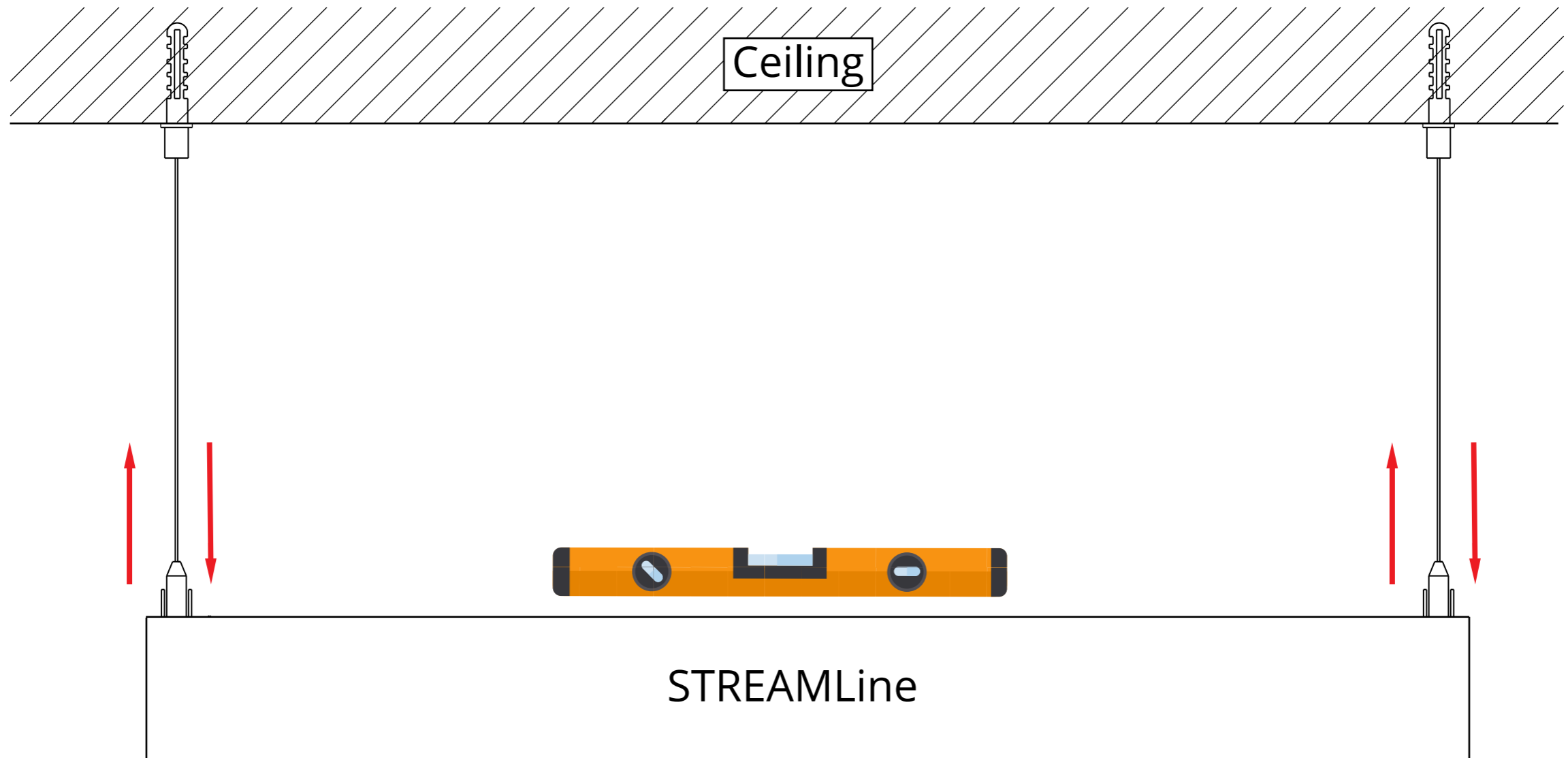
Releasing the spring will lock the cable in place.

Repeat with the (2-CMB) Cable Mounting Bracket on the other side of the STREAMLine fixture.

6

STREAM Line- (Suspension) single unit

Use a level to align the STREAMLine fixture horizontally.
Once you have identified the cable lengths desired to hold the STREAMLINE fixture securely in place, the mechanical installation is completed.
You may now begin the electrical installation.

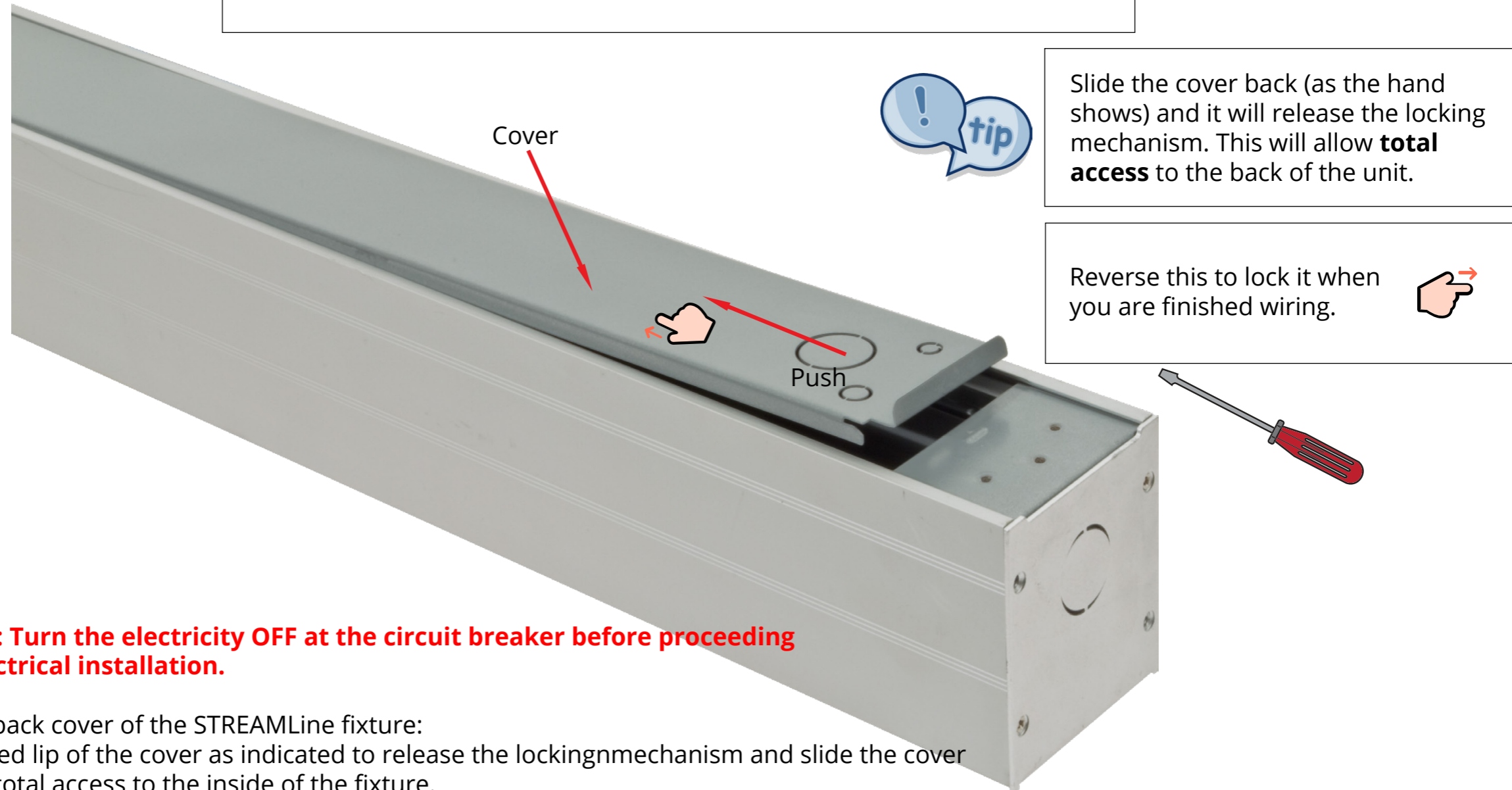


7

STREAM Line- (Suspension) single unit

Beginning of the ELECTRICAL INSTALLATION

How to remove the cover for easy access



IMPORTANT: Turn the electricity OFF at the circuit breaker before proceeding with the electrical installation.

Remove the back cover of the STREAMLine fixture:
Push the raised lip of the cover as indicated to release the locking mechanism and slide the cover off, allowing total access to the inside of the fixture.

(Reverse this motion to lock the cover back in place once the wiring is complete.)

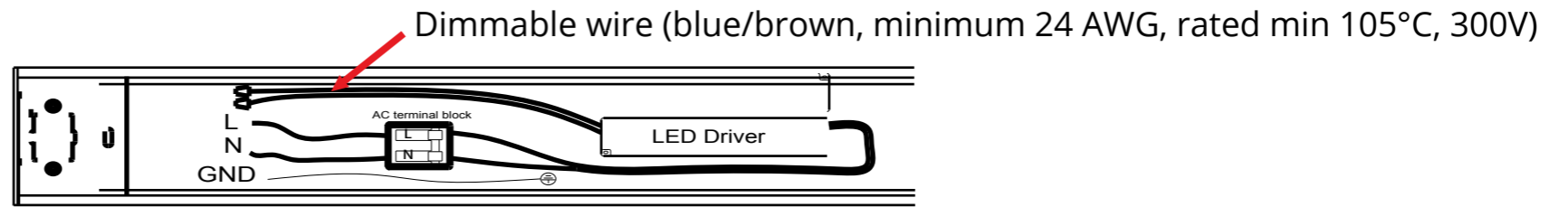
8

STREAM Line- (Suspension) single unit

House AC electrical wire

Input AC120~277V (House wire)

Diagram "A" (Wiring diagram)

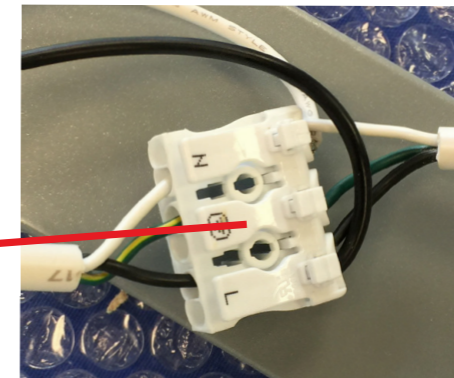
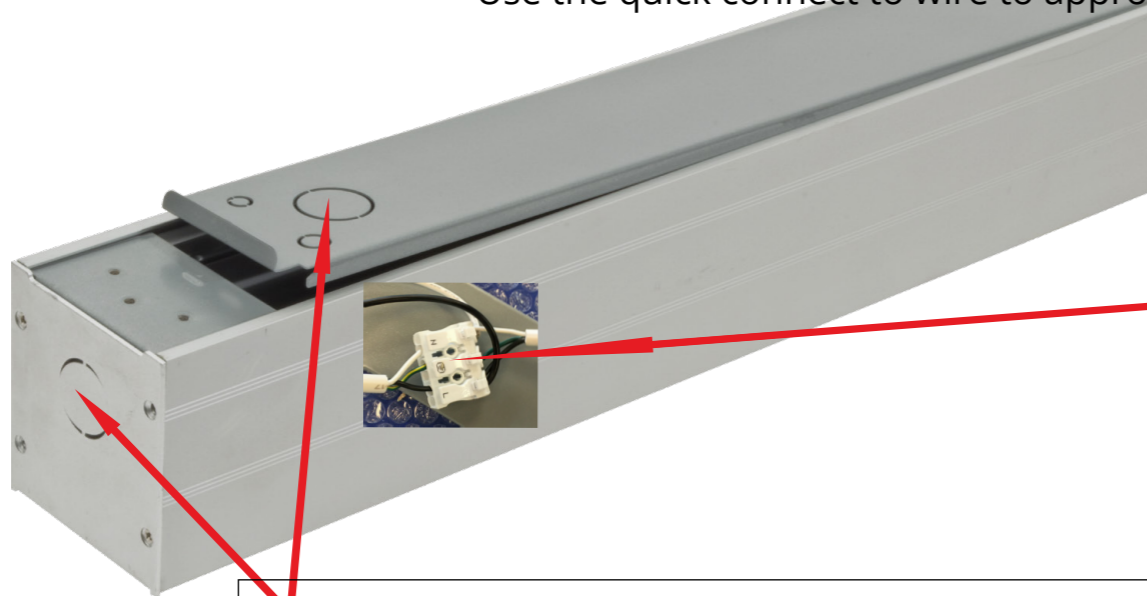
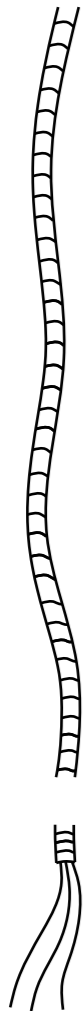


Making sure that the electricity is OFF

Wire the Quick Connect pieces together according to **Diagram A**:

- White to Neutral (N)
- Black to Live (L)
- Green to Ground (G)

Feed the electrical wiring into the STREAMLine fixture through one of these two entryways. Use a BX connector (not included; as prescribed by your local code) as a strain relief. Use the quick connect to wire to appropriate terminal.

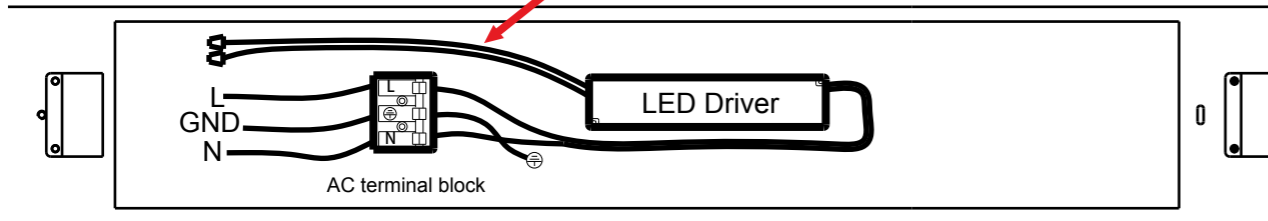


Use one of these 2 entry ways to electrify STREAMLine. Use the appropriate BX connector as a strain relief (provided by others).

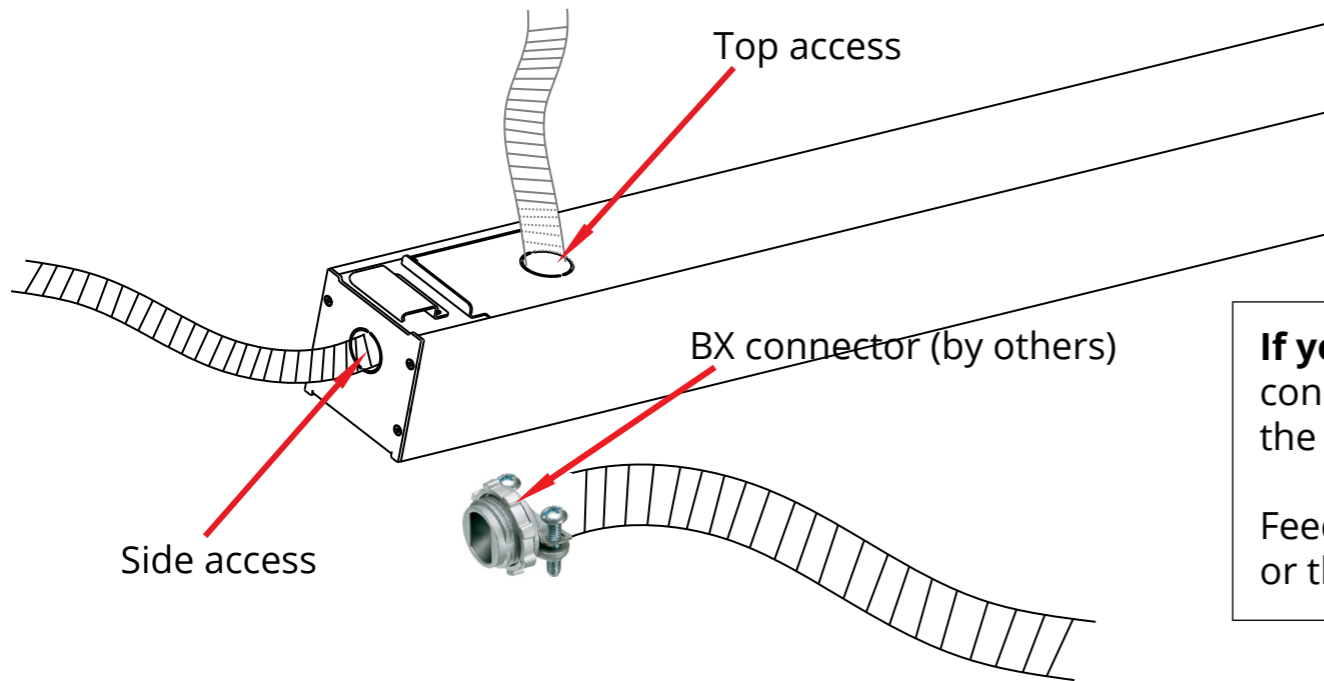
8A

STREAM Line- (Suspension) single unit

Dimmable wire (blue/brown, minimum 24 AWG, rated min 105°C, 300V)



Now is a good time to electrically test the unit, to make sure it illuminates. (specially if you are dimming the unit with a 0-10 dimming system). Slide the cover of the STREAMLine back in to place.



If you are using the STREAMLine with a 0-10 dimming system connect the Blue/Brown wires on the LED Driver to the wires leading to the dimmer (minimum 24 AWG, rated min. 105°C, 300V).

Feed the dimmer wires through the same BX cable strain relief on the top or the side of the STREAMLine unit.

You can electrify from either top or side, please see wiring diagram "A".

If you are using 0-10 dimming please follow the diagram instructions.
If not disregard the dimming wires.

F

